



US00D898092S

(12) **United States Design Patent**
Pretorius

(10) **Patent No.:** **US D898,092 S**

(45) **Date of Patent:** **** Oct. 6, 2020**

(54) **BOGIE FOR A WAREHOUSING SHUTTLE**

(71) Applicant: **Storage Management Systems (Pty) Ltd, Pretoria (ZA)**

(72) Inventor: **Theunis Jacobus Pretorius, Silverlakes (ZA)**

(73) Assignee: **Storage Management Sysem (Pty) Ltd. (ZA)**

(**) Term: **15 Years**

(21) Appl. No.: **29/710,317**

(22) Filed: **Oct. 22, 2019**

(30) **Foreign Application Priority Data**

Jun. 3, 2019 (ZA) F2019/00723

(51) **LOC (12) Cl.** **15-99**

(52) **U.S. Cl.**
USPC **D15/199**

(58) **Field of Classification Search**
USPC D12/1, 16.1, 42; D15/199; D34/12, 23, D34/28, 34
CPC B61F 3/00; B60L 2200/26; B65G 1/065
See application file for complete search history.

(56) **References Cited**

U.S. PATENT DOCUMENTS

- 4,328,422 A * 5/1982 Loomer B65G 1/065
250/202
- 9,321,591 B2 * 4/2016 Lert B65G 1/0492
- 9,522,781 B2 * 12/2016 Hortig B65G 1/065
- 9,630,774 B2 * 4/2017 Traversa B65G 1/0492
- 9,718,617 B2 * 8/2017 Koide B65G 1/0492
- 9,884,720 B2 * 2/2018 Van Den Berk B65G 1/0492
- 9,946,265 B2 * 4/2018 Sullivan G05D 1/0272
- D871,475 S * 12/2019 Kolb D15/199
- D871,476 S * 12/2019 Kolb D15/199

(Continued)

OTHER PUBLICATIONS

Pallet Shuttle—Automated Pallet Storage Systems, www.distributionpropertiesolutions.com [online]. Published on or before Jun. 27, 2020, [retrieved on Jun. 27, 2020]. Retrieved from the Internet: <URL:https://www.distributionpropertiesolutions.com/pallet-shuttle/> (Year: 2020).*

Primary Examiner — Karen E Kearney

Assistant Examiner — Adam C Mager

(74) *Attorney, Agent, or Firm* — Haugen Law Firm PLLP

(57) **CLAIM**

The ornamental design for a bogie for a warehousing shuttle, as shown and described.

DESCRIPTION

FIG. 1 is an upper front perspective view of the bogie for a warehousing shuttle of the present invention;

FIG. 2 is a lower rear perspective view of the bogie for a warehousing shuttle of the present invention;

FIG. 3 is an upper front perspective view of the bogie for a warehousing shuttle of the present invention mounted to a shuttle;

FIG. 4 is a front elevational view of the bogie for a warehousing shuttle of the present invention;

FIG. 5 is a rear elevational view of the bogie for a warehousing shuttle of the present invention;

FIG. 6 is a right side elevational view of the bogie for a warehousing shuttle of the present invention;

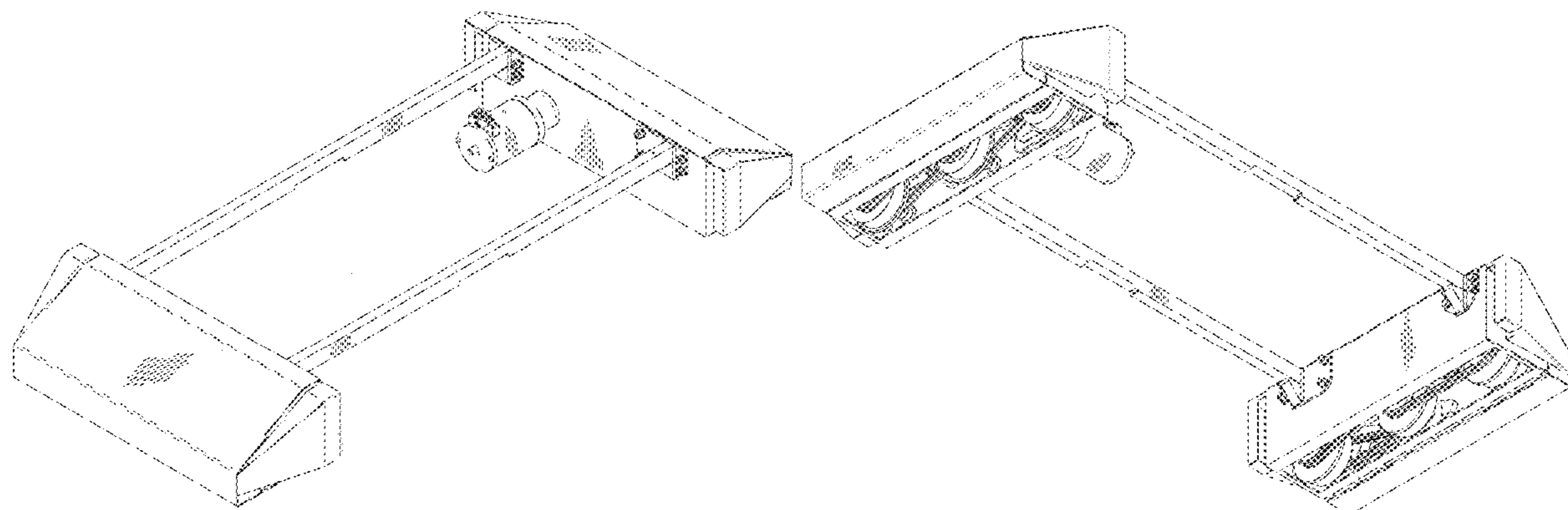
FIG. 7 is a left side elevational view of the bogie for a warehousing shuttle of the present invention;

FIG. 8 is a top plan view of the bogie for a warehousing shuttle of the present invention; and,

FIG. 9 is a bottom plan view of the bogie for a warehousing shuttle of the present invention.

The broken line showing of environmental structure is for illustrative purposes only, and forms no part of the claimed design.

1 Claim, 7 Drawing Sheets



(56)

References Cited

U.S. PATENT DOCUMENTS

10,556,744	B2 *	2/2020	Winkler	B62D 29/04
D879,173	S *	3/2020	Wang	D15/199
2009/0074545	A1 *	3/2009	Lert, Jr.	B65G 1/0492
				414/276
2011/0008138	A1 *	1/2011	Yamashita	B65G 1/0435
				414/277

* cited by examiner

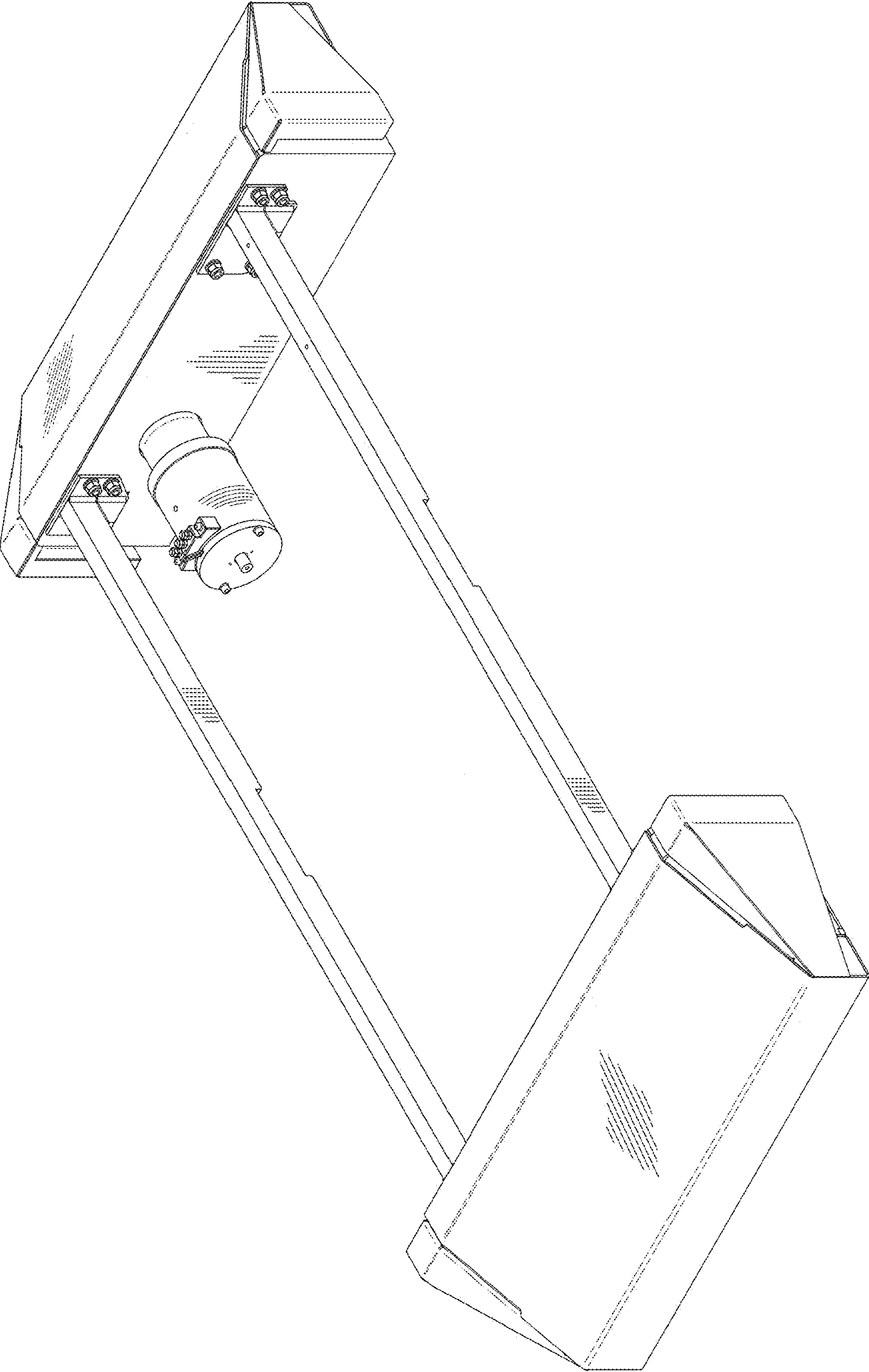


Fig. 1

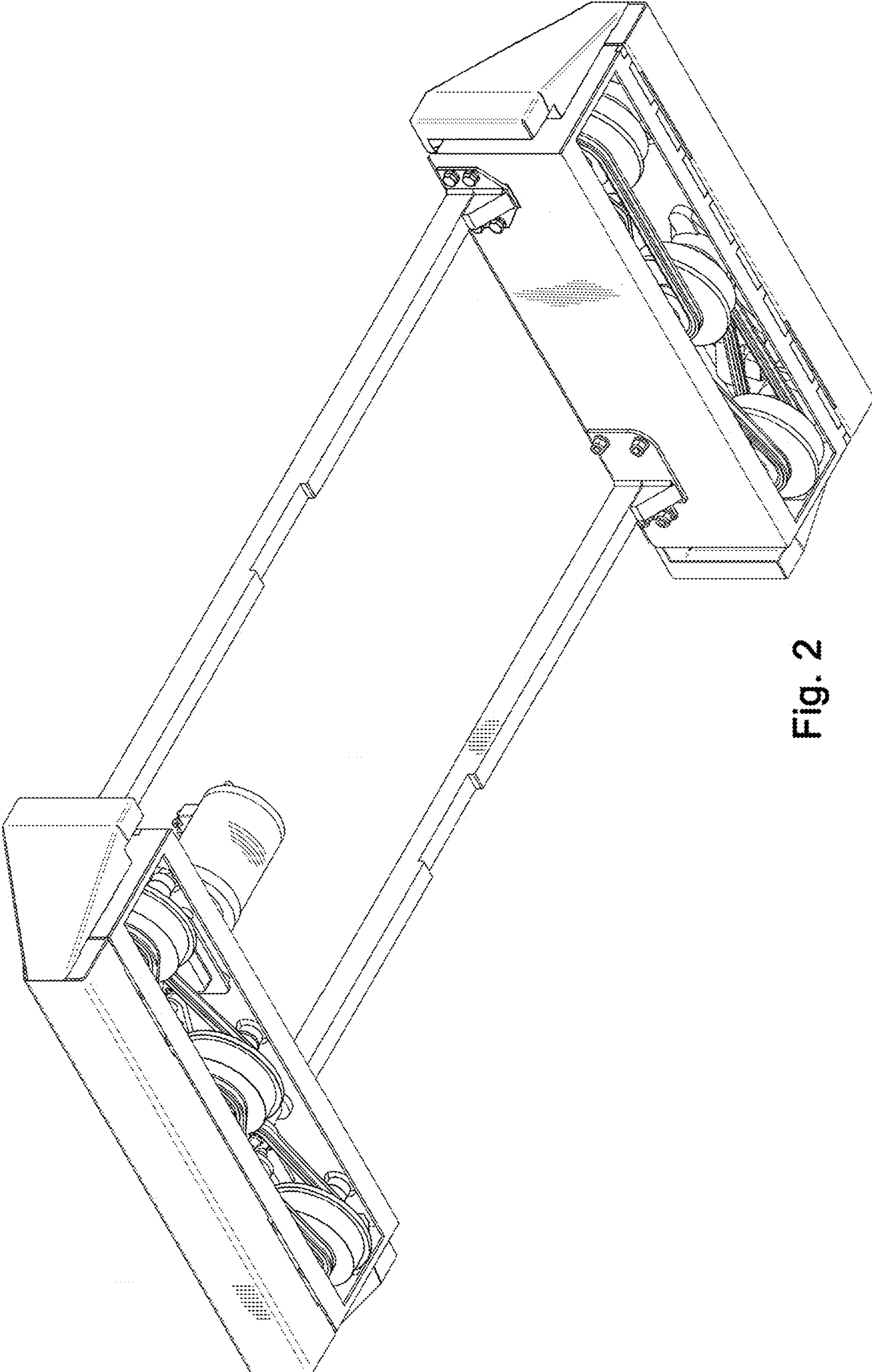


Fig. 2

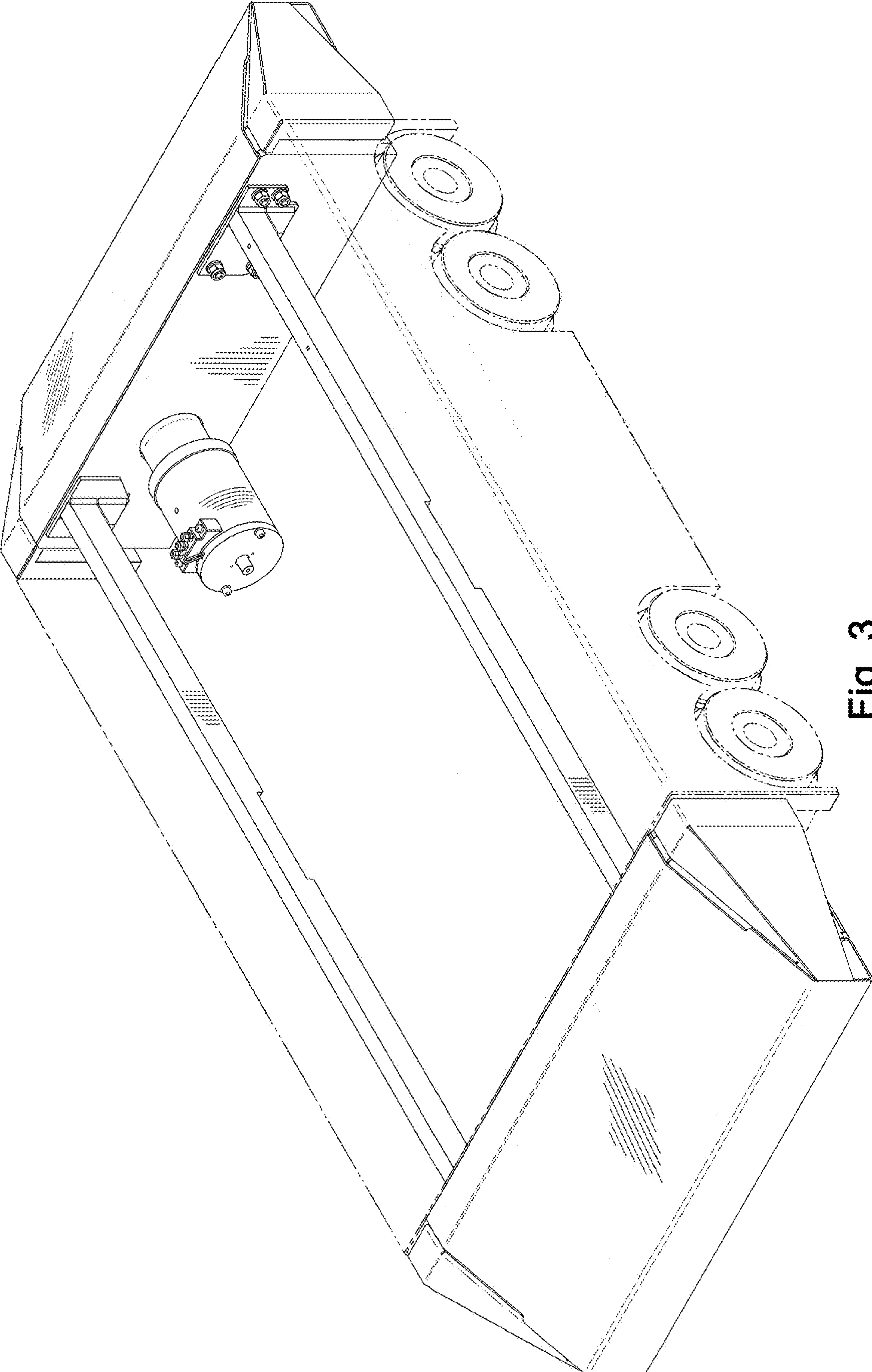


Fig. 3

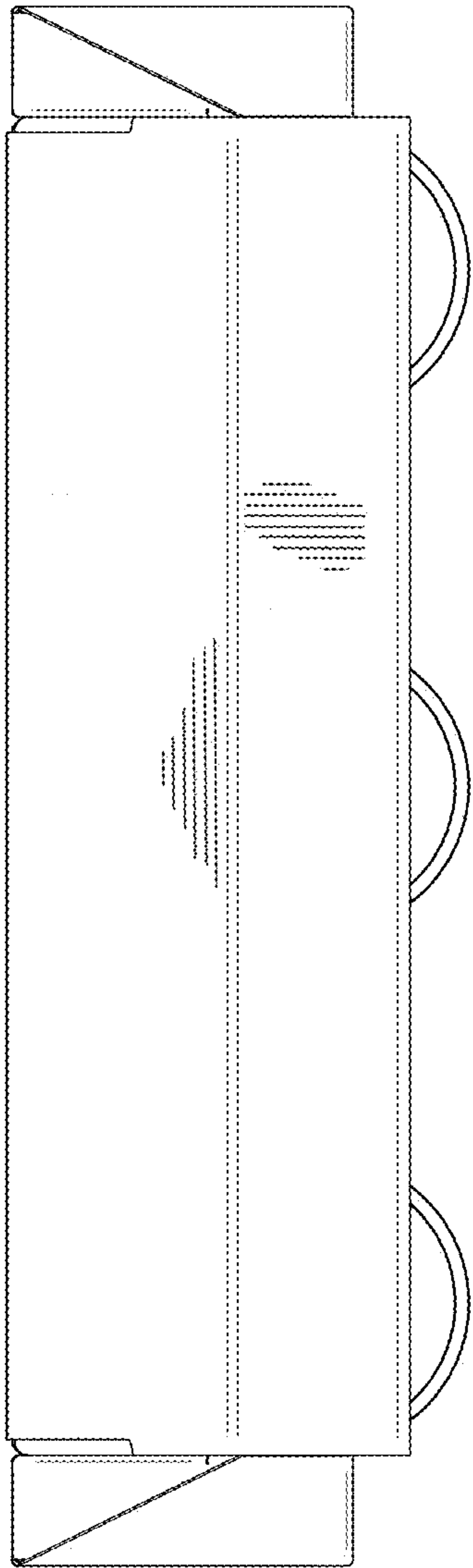


Fig. 4

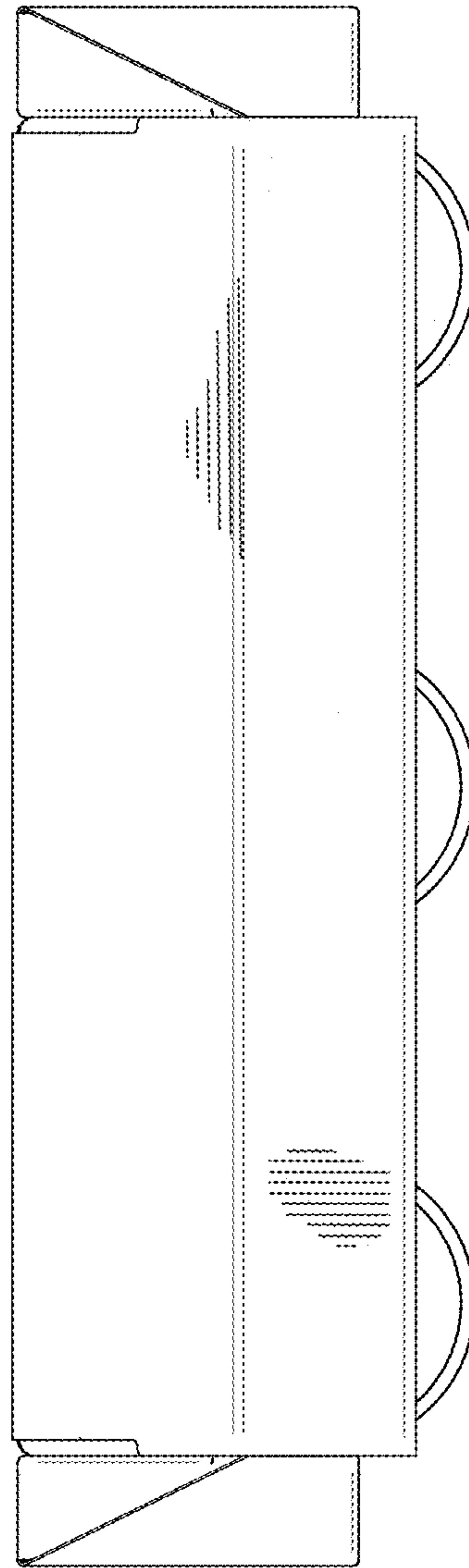


Fig. 5

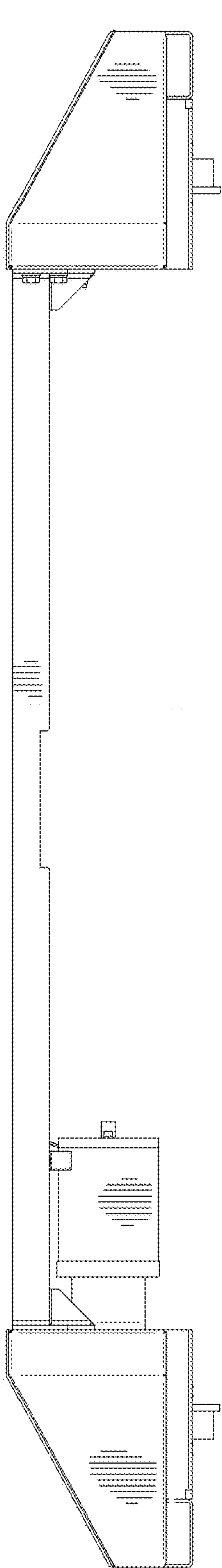


Fig. 6

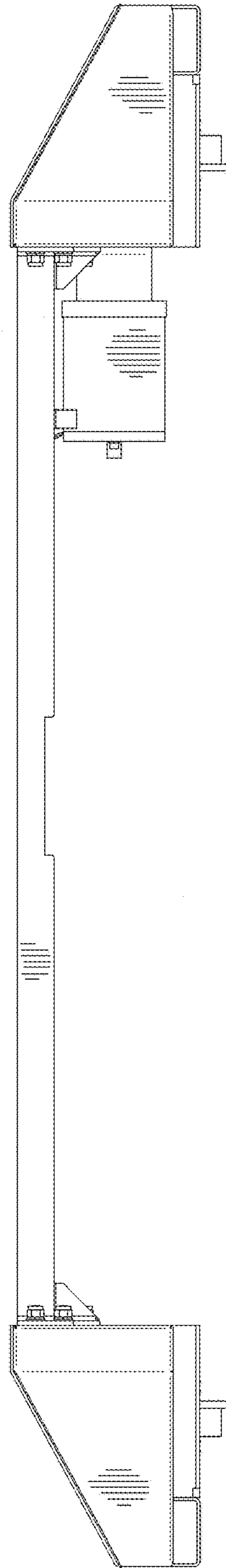


Fig. 7

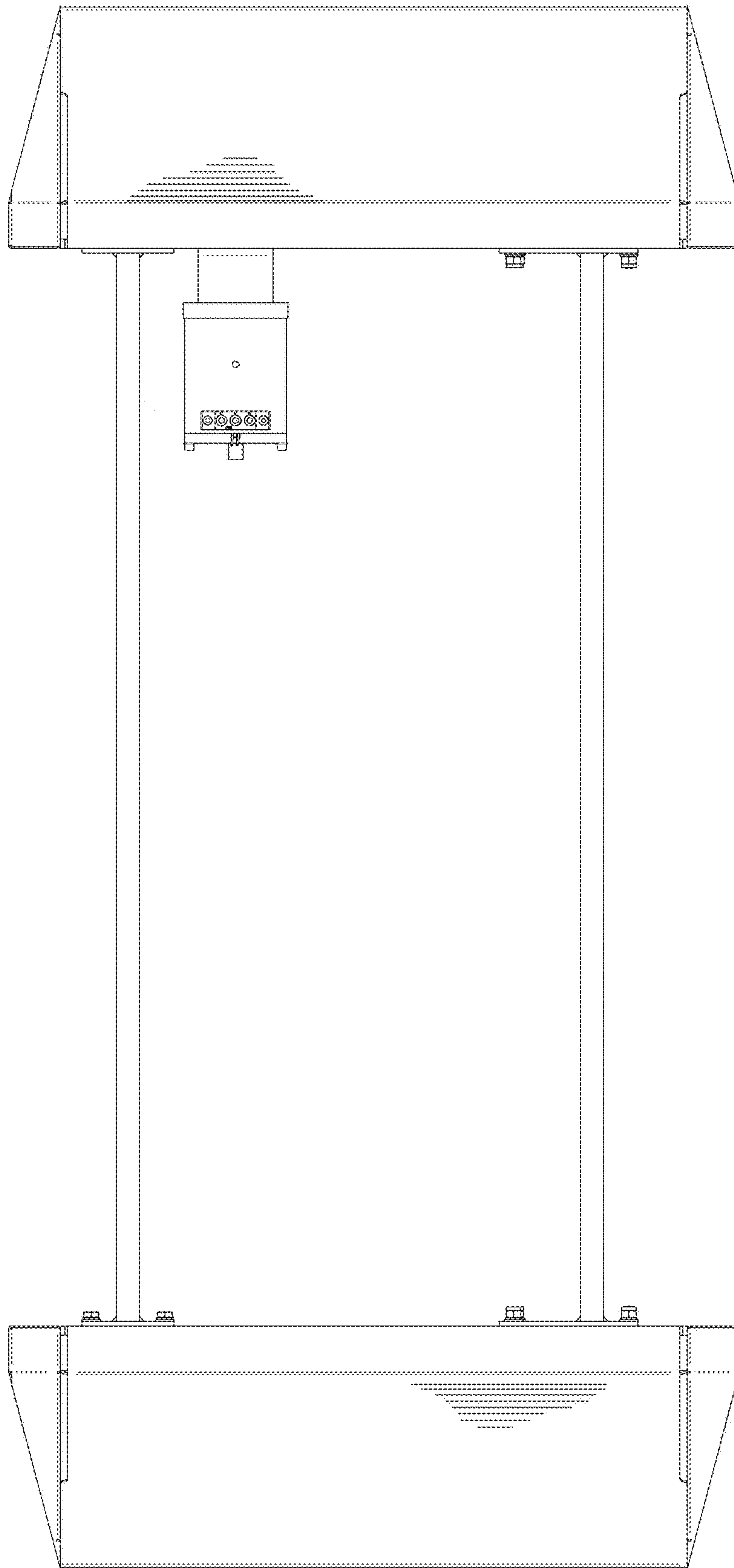


Fig. 8

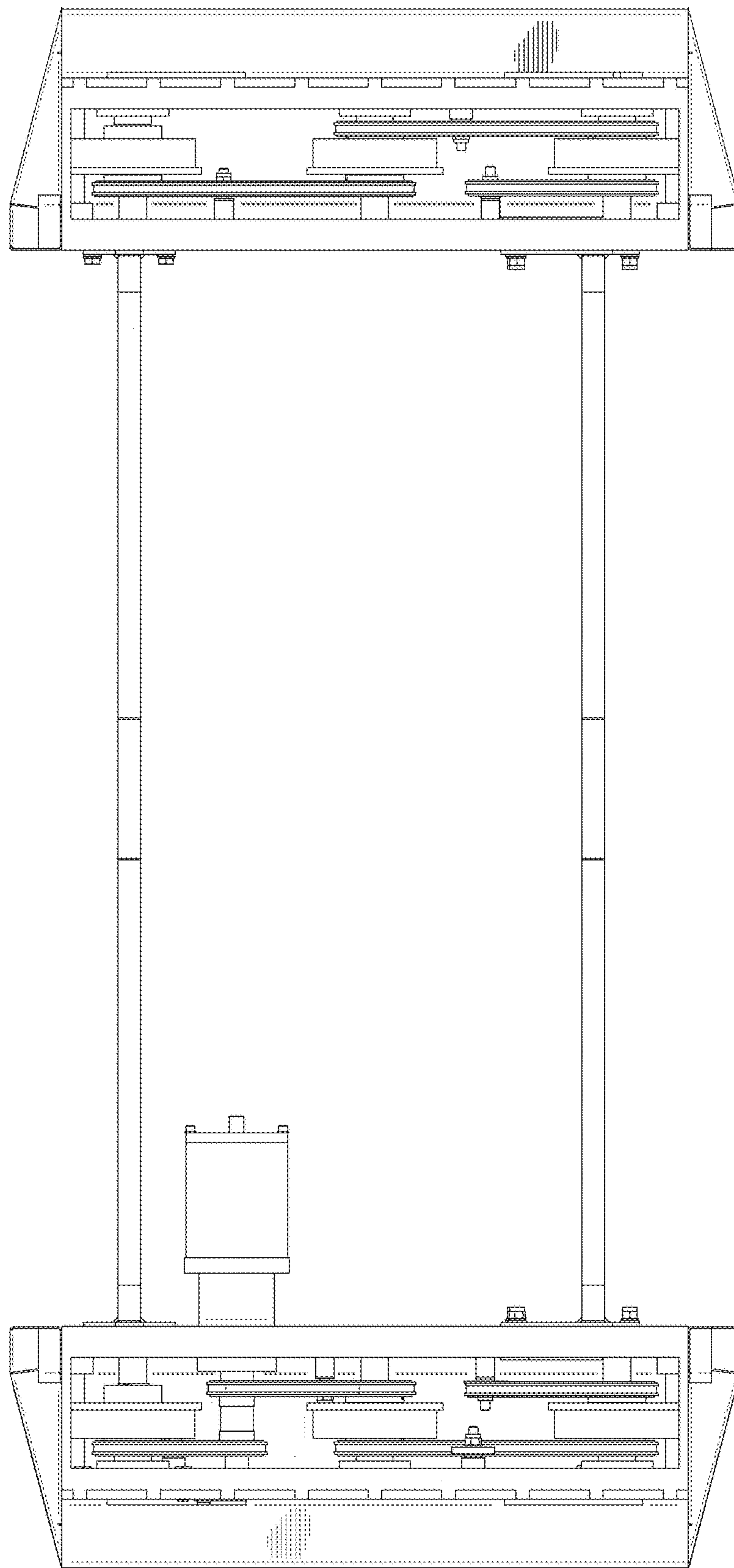


Fig. 9