



US00D898091S

(12) **United States Design Patent** (10) **Patent No.:** **US D898,091 S**  
**Yamamoto et al.** (45) **Date of Patent:** **\*\* Oct. 6, 2020**

(54) **INDUSTRIAL ROBOT**

(71) Applicant: **FANUC CORPORATION**, Yamanashi (JP)

(72) Inventors: **Masahiro Yamamoto**, Yamanashi (JP); **Kentarou Ootani**, Yamanashi (JP); **Hyunchul Souk**, Yamanashi (JP)

(73) Assignee: **FANUC CORPORATION**, Yamanashi (JP)

(\*\*) Term: **15 Years**

(21) Appl. No.: **29/701,660**

(22) Filed: **Aug. 13, 2019**

(30) **Foreign Application Priority Data**

Feb. 15, 2019 (JP) ..... 2019-003019

(51) **LOC (12) Cl.** ..... **15-99**

(52) **U.S. Cl.**  
USPC ..... **D15/199**

(58) **Field of Classification Search**  
USPC ..... D15/199; D21/578-583, 621, 622  
CPC .. A63H 33/26; A63H 33/005; A63H 2200/00;  
B62D 39/00; G05D 1/0891; G05D  
2201/0214; Y10S 901/01  
See application file for complete search history.

(56) **References Cited**

U.S. PATENT DOCUMENTS

- 5,333,514 A \* 8/1994 Toyama ..... B25J 9/107  
414/735  
6,516,681 B1 \* 2/2003 Pierrot ..... B25J 17/0266  
74/490.01  
D478,921 S \* 8/2003 Kullborg ..... D15/199  
D619,632 S \* 7/2010 Feng ..... D15/199  
D650,819 S \* 12/2011 Liu ..... D15/199  
D763,937 S \* 8/2016 Brogardh ..... D15/199

- D779,146 S \* 2/2017 Tokai ..... D34/28  
10,399,616 B2 \* 9/2019 Ellerman ..... A63H 33/26  
2006/0245894 A1 \* 11/2006 Merz ..... B25J 9/104  
414/680  
2009/0019960 A1 \* 1/2009 Nabat ..... B25J 9/0051  
74/490.03  
2010/0186534 A1 \* 7/2010 Kinoshita ..... B25J 9/0051  
74/490.06  
2011/0113918 A1 \* 5/2011 Zhao ..... B25J 17/0266  
74/490.05  
2011/0120254 A1 \* 5/2011 Zhang ..... B25J 17/0266  
74/490.04  
2011/0154936 A1 \* 6/2011 Zhao ..... B25J 9/1065  
74/490.04  
2012/0060637 A1 \* 3/2012 Kinoshita ..... B25J 17/0283  
74/490.03  
2012/0079908 A1 \* 4/2012 Long ..... B25J 9/0051  
74/490.05  
2012/0118097 A1 \* 5/2012 Ilch ..... B25J 9/0051  
74/490.05  
2014/0208883 A1 \* 7/2014 Lin ..... B25J 9/0051  
74/490.05

(Continued)

*Primary Examiner* — Patricia A Palasik  
(74) *Attorney, Agent, or Firm* — Banner & Witcoff, Ltd.

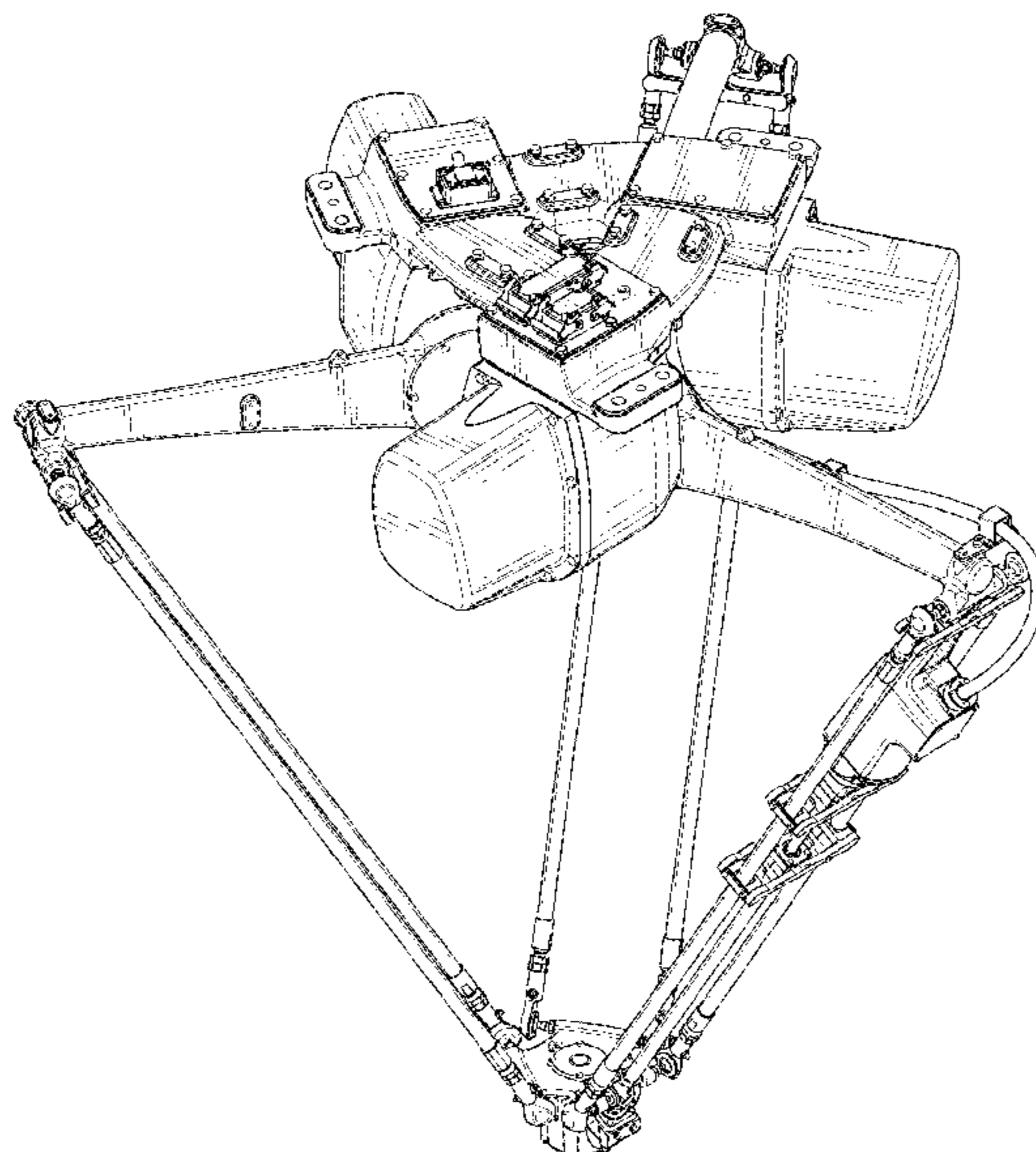
(57) **CLAIM**

The ornamental design for an industrial robot, as shown and described.

**DESCRIPTION**

FIG. 1 is a first perspective view of an industrial robot showing our new design;  
FIG. 2 is a second perspective view thereof;  
FIG. 3 is a front view thereof;  
FIG. 4 is a rear view thereof;  
FIG. 5 is a top plan thereof;  
FIG. 6 is a bottom plan view thereof;  
FIG. 7 is a right side view thereof; and,  
FIG. 8 is a left side view thereof.

**1 Claim, 8 Drawing Sheets**



(56)

**References Cited**

U.S. PATENT DOCUMENTS

2015/0176754	A1*	6/2015	Houston .....	B25J 9/0009 248/125.2
2015/0224640	A1*	8/2015	Vu .....	B25J 19/023 700/259
2017/0080560	A1*	3/2017	Krut .....	B25J 9/0051
2018/0236655	A1*	8/2018	Nakanishi .....	B25J 9/0051

\* cited by examiner

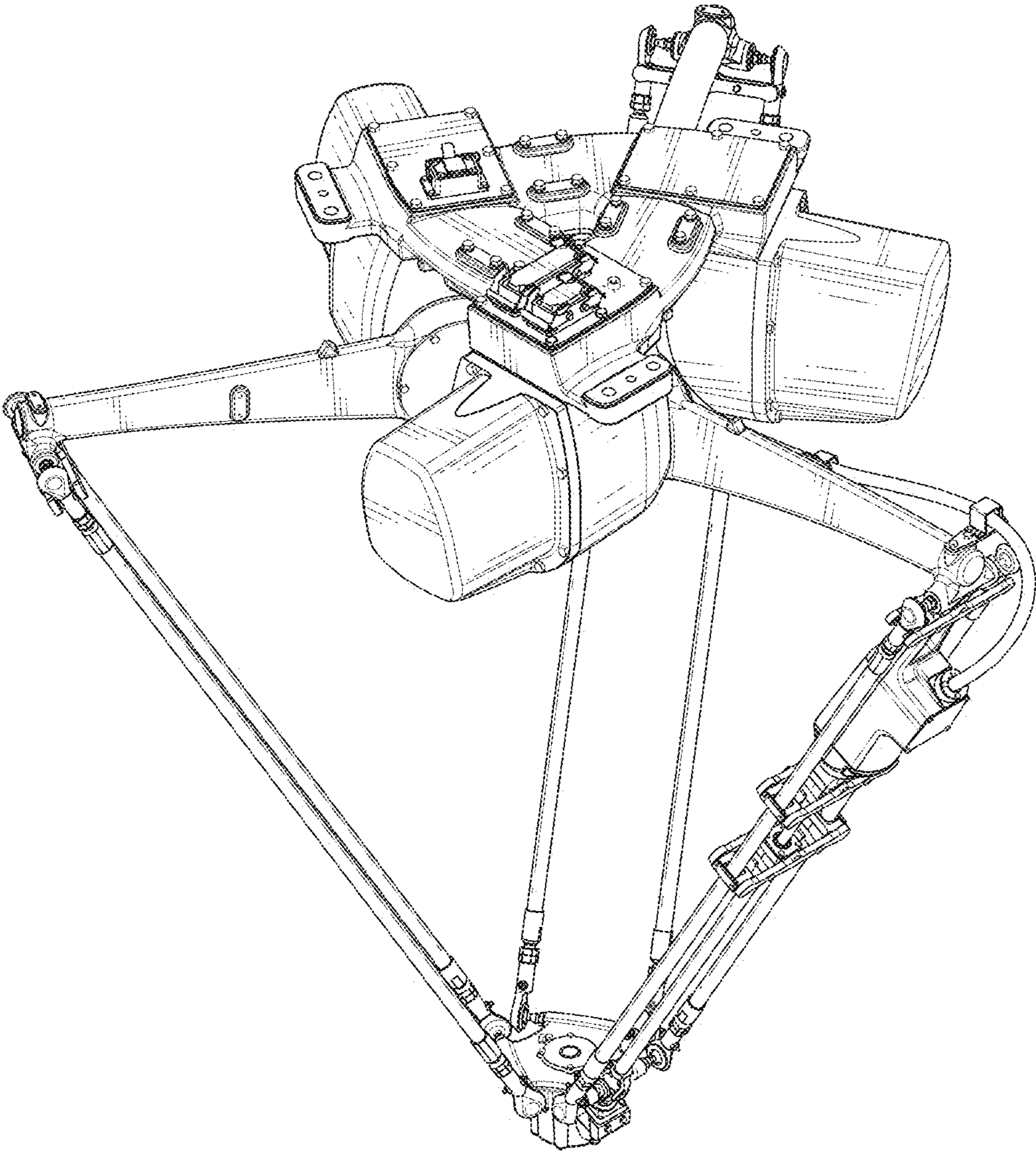


FIG. 1

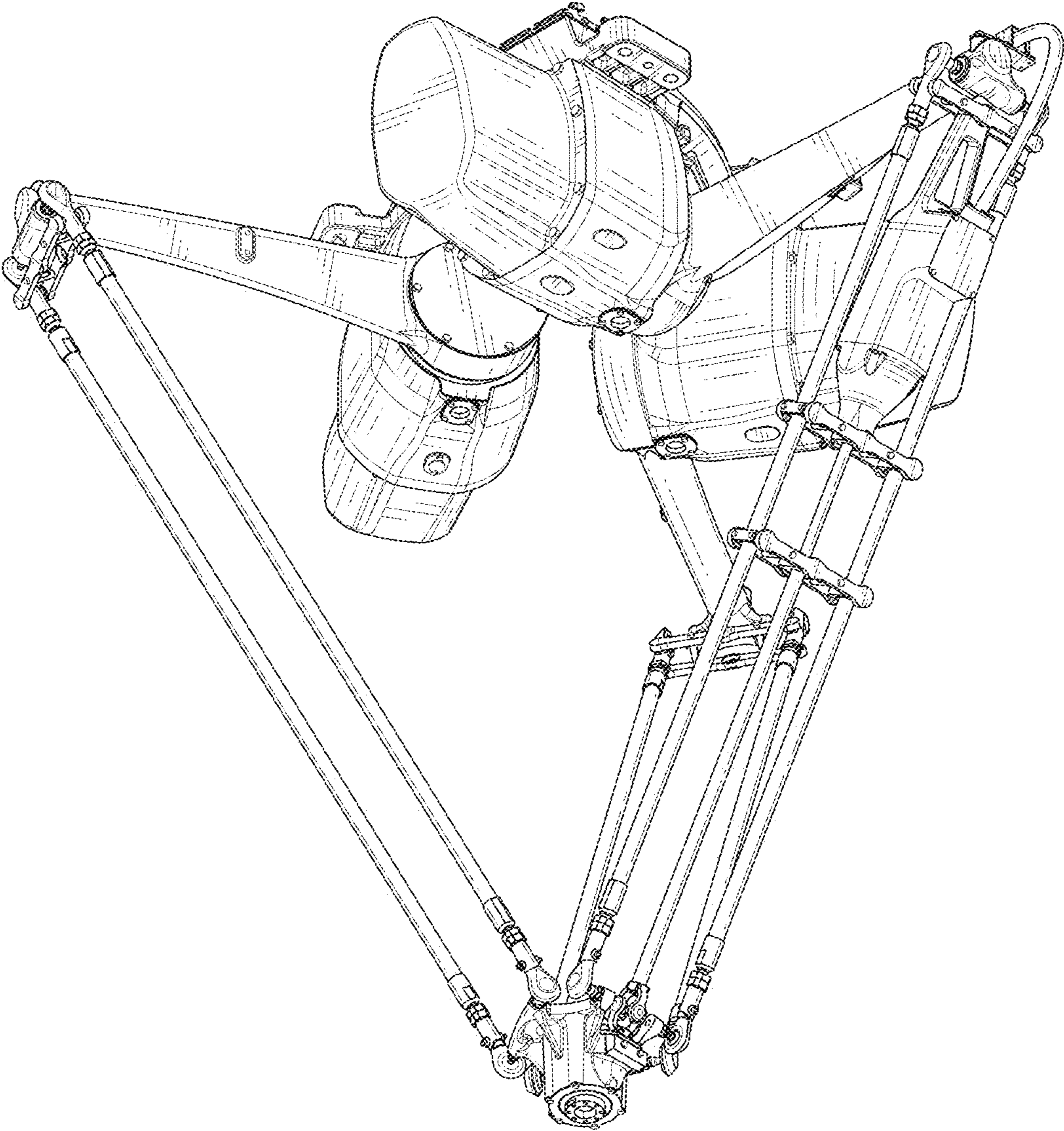


FIG. 2

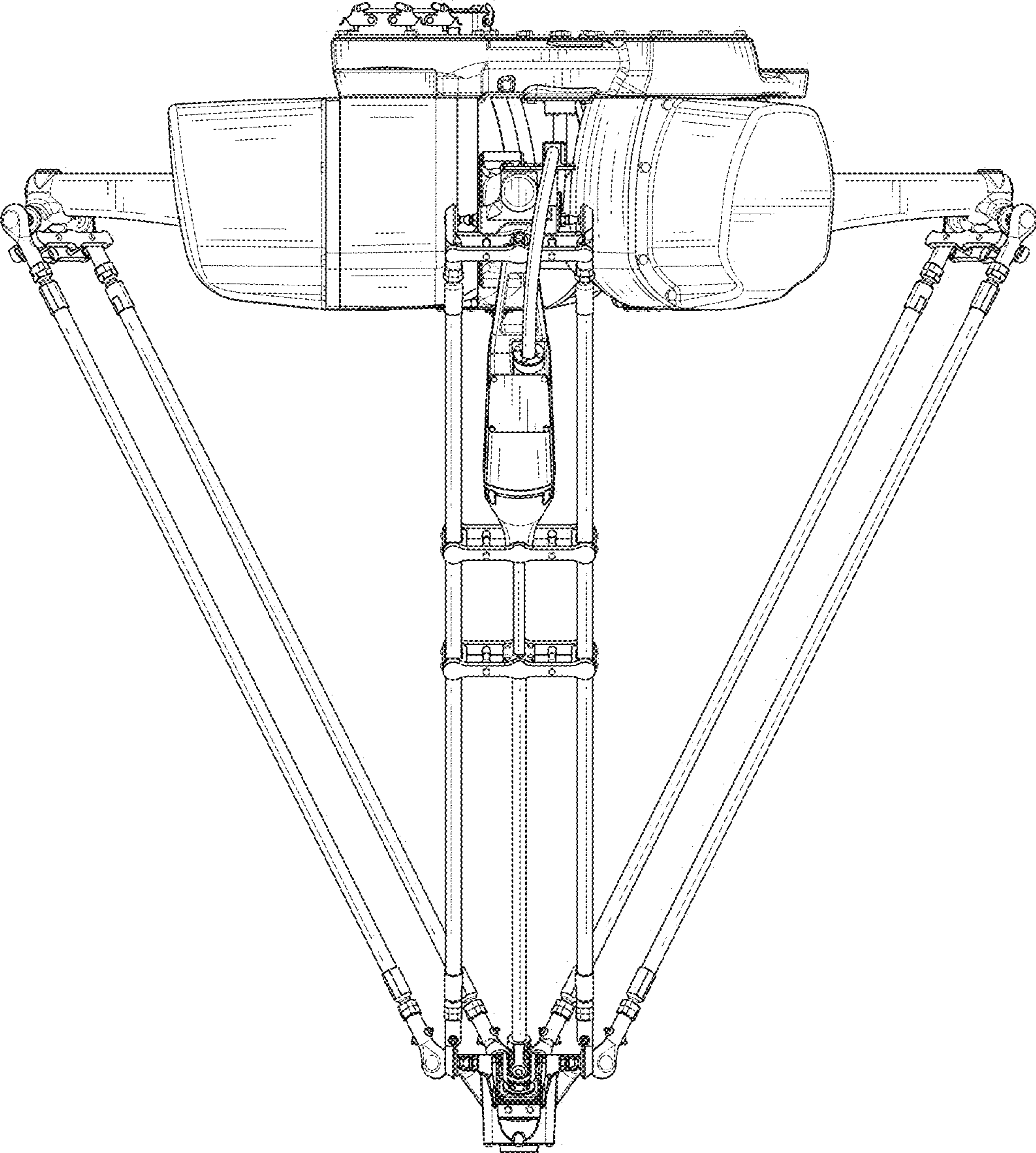


FIG. 3

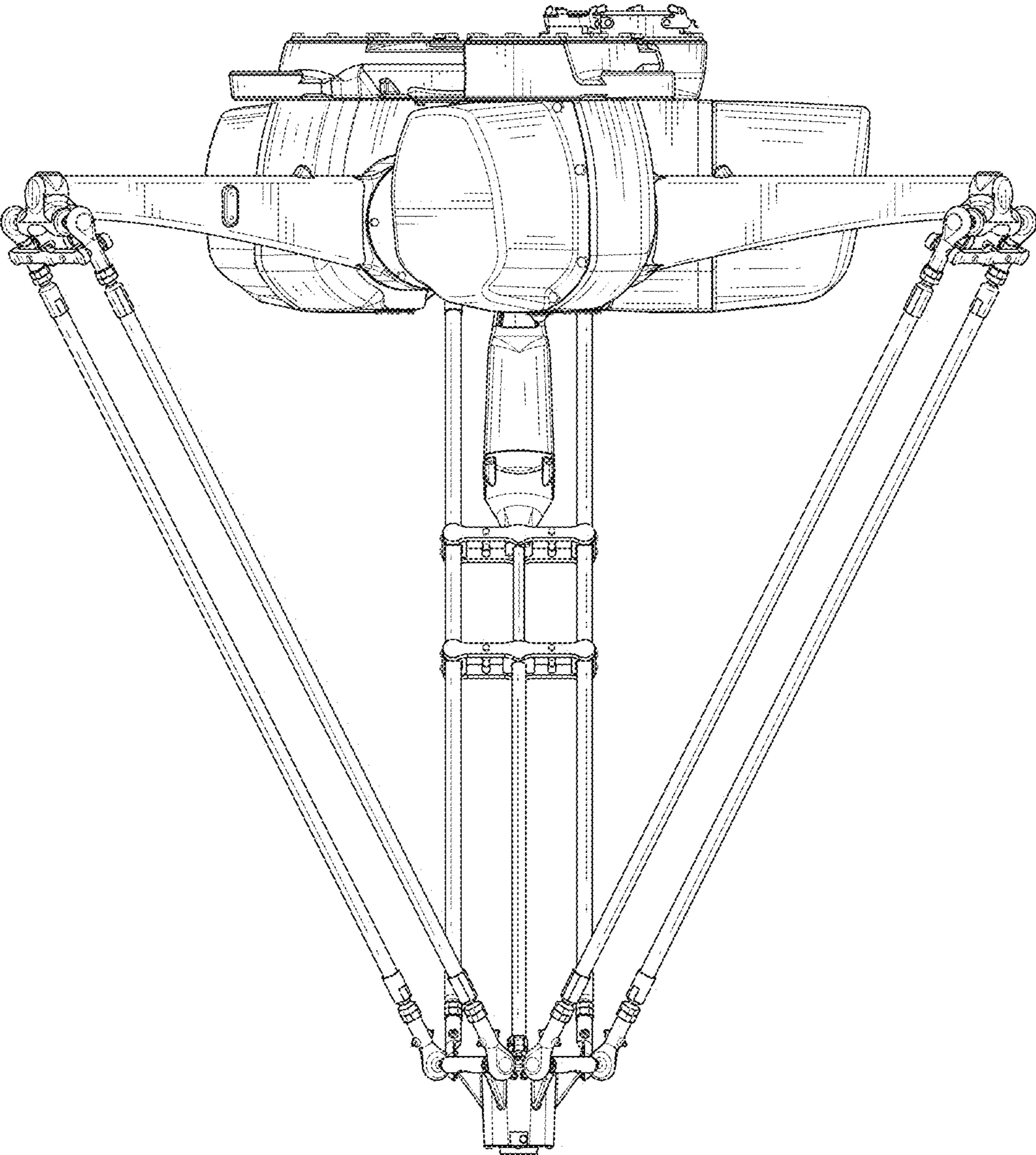


FIG. 4

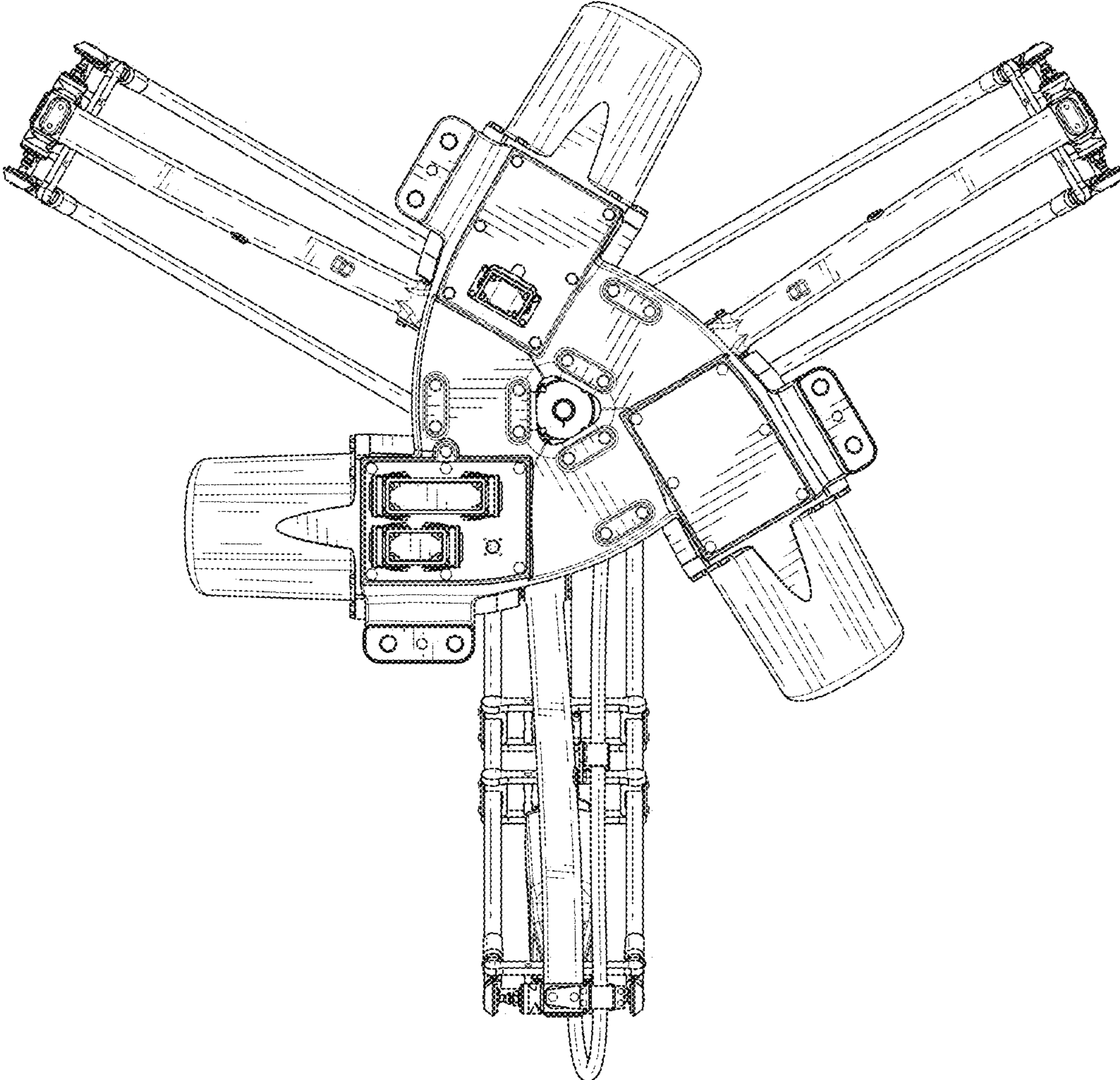


FIG. 5

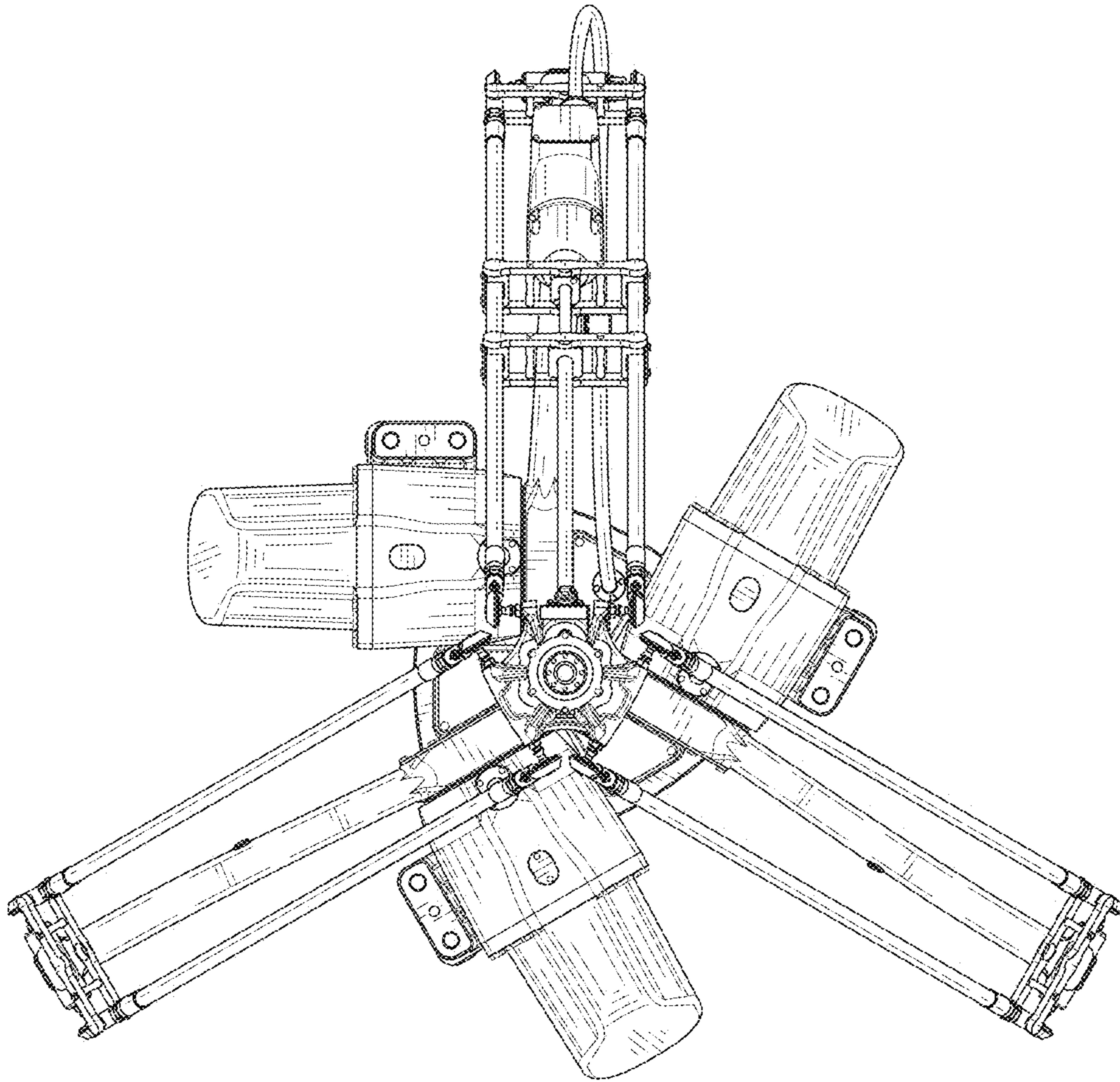


FIG. 6



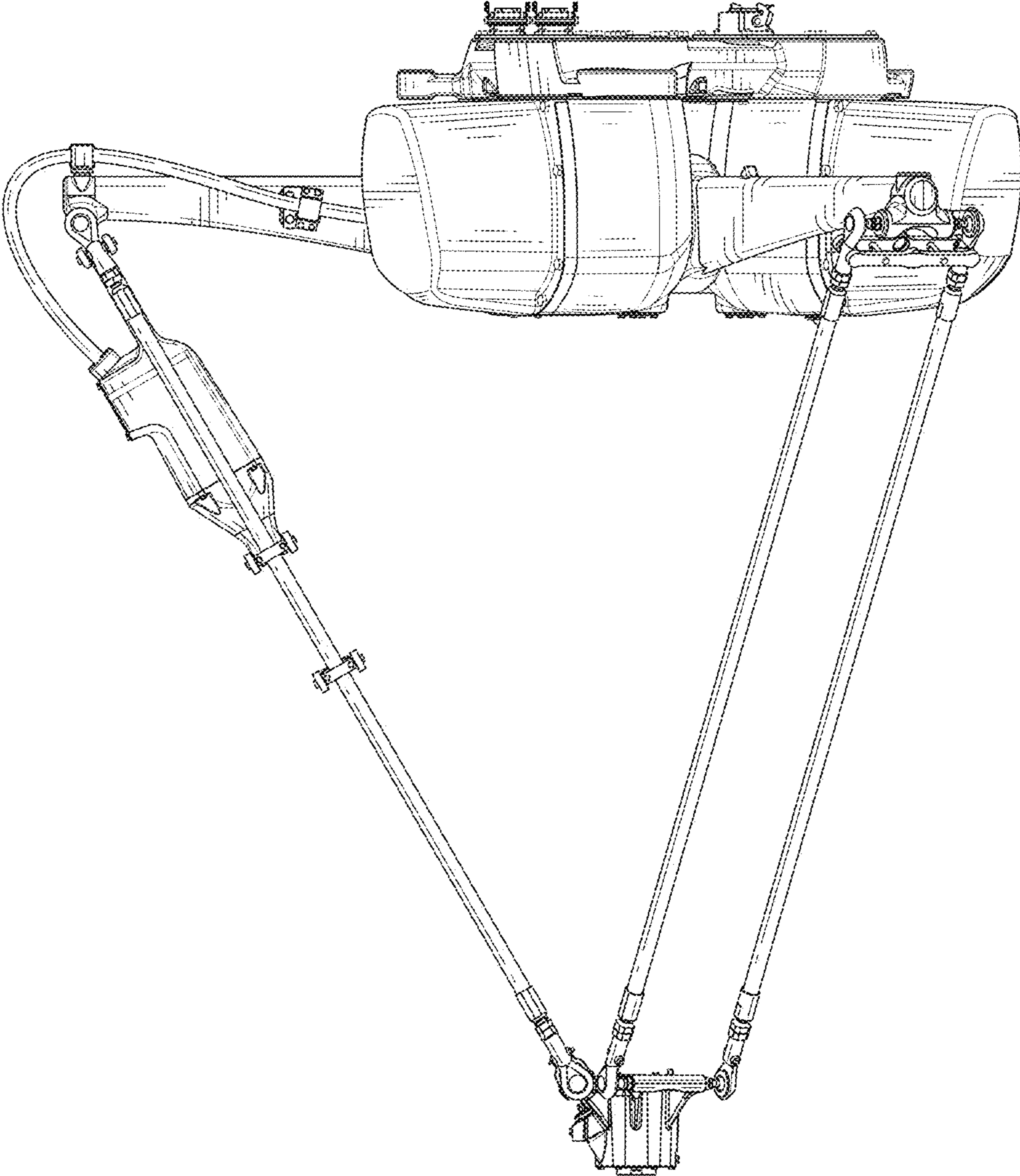


FIG. 7

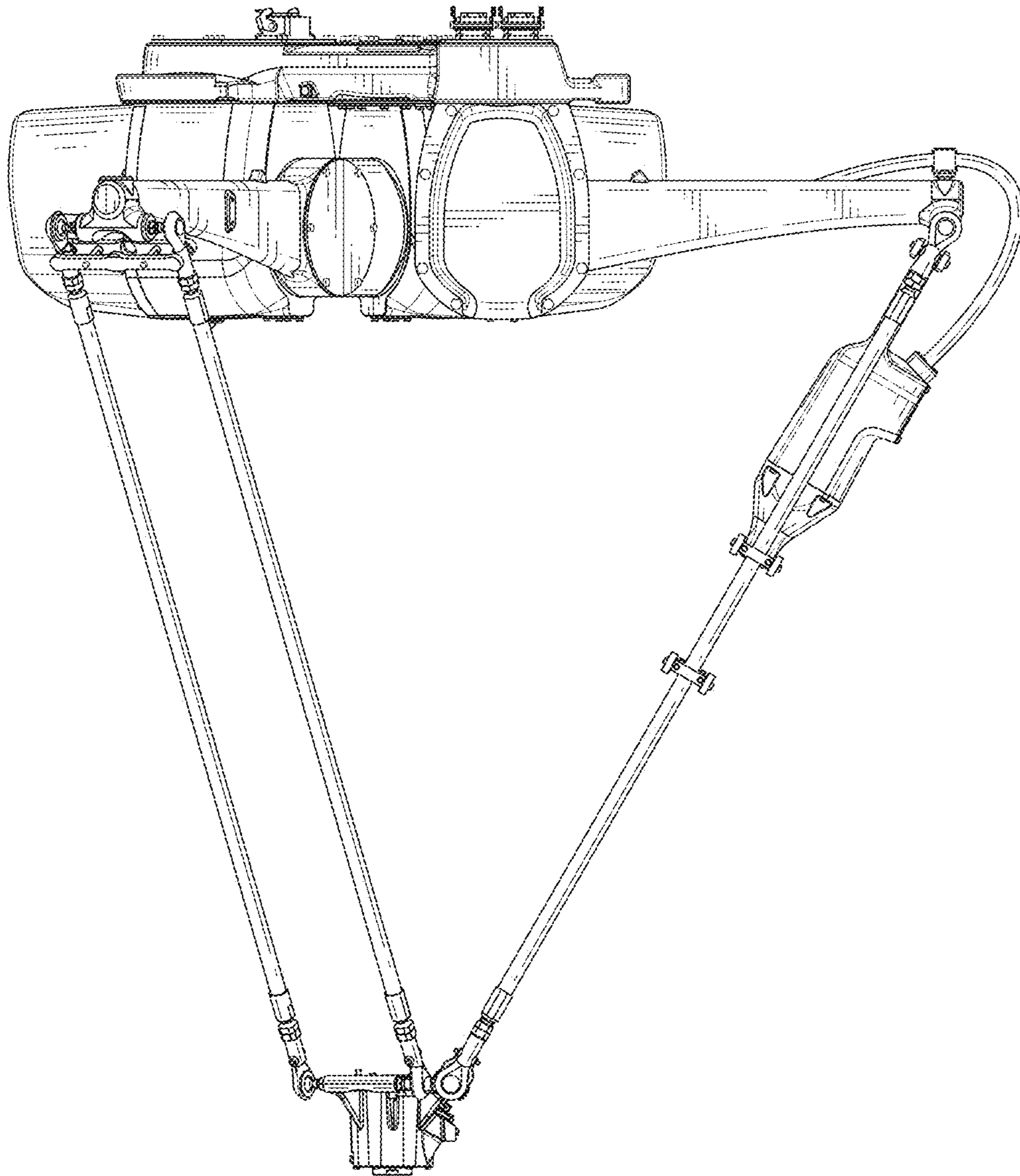


FIG. 8