

US00D898088S

(12) **United States Design Patent** (10) **Patent No.:** **US D898,088 S**
Fornander et al. (45) **Date of Patent:** **** Oct. 6, 2020**

(54) **FLAVOR MIXING MACHINE**
(71) Applicant: **FIRMENICH SA**, Geneva (CH)
(72) Inventors: **Marten Fornander**, Malmö (SE);
Jacob Elander, Malmö (SE); **Vincent
Guilhermond**, Bron (FR)
(73) Assignee: **FIRMENICH SA**, Geneva (CH)
(**) Term: **15 Years**
(21) Appl. No.: **29/668,390**
(22) Filed: **Oct. 30, 2018**
(30) **Foreign Application Priority Data**

4,673,297 A * 6/1987 Siczek B01F 11/0014
366/208
D293,758 S * 1/1988 Balisteri D7/300
D306,536 S * 3/1990 Pandolfi D7/388
D329,902 S * 9/1992 Kim D24/219
D340,249 S * 10/1993 Steele D15/147
5,855,545 A * 1/1999 Kishi B04B 7/02
494/12
D437,418 S * 2/2001 Suzuki D24/219
D455,607 S * 4/2002 Johnson D7/387
6,665,924 B2 * 12/2003 Schutz B04B 5/0414
29/525.11
D525,890 S * 8/2006 Inagaki D10/81
D555,244 S * 11/2007 Nakanishi D24/176
D585,922 S * 2/2009 Curran D15/147
D609,318 S * 2/2010 Lam D23/356
D617,909 S * 6/2010 Taniguchi D24/219
D659,255 S * 5/2012 Henssler D24/219
D663,041 S * 7/2012 Henssler D24/219

(Continued)

Apr. 30, 2018 (EM) 005 252 707

(51) **LOC (12) Cl.** **15-07**
(52) **U.S. Cl.**
USPC **D15/147**; D15/199; D7/397; D7/300
(58) **Field of Classification Search**
USPC D7/300, 369, 397; D15/122, 147, 199;
D23/366
CPC . A61L 9/125; A61L 9/14; A61L 9/012; A61L
9/122; A61L 2209/11; A61L 2209/132;
B04B 1/08; B04B 5/08; B04B 5/005;
B04B 5/0414; B04B 7/06; B04B 7/08;
B04B 7/14; B04B 2007/025; B04B 9/02;
B04B 9/06; B04B 11/02
See application file for complete search history.

Primary Examiner — Patricia A Palasik

(74) *Attorney, Agent, or Firm* — Scully Scott Murphy and
Presser

(57) **CLAIM**

The ornamental design for a flavor mixing machine, as
shown and described.

DESCRIPTION

FIG. 1 illustrates a perspective view of a flavor mixing
machine showing our new and ornamental design;
FIG. 2 illustrates a front elevation view thereof;
FIG. 3 illustrates a back elevation view thereof;
FIG. 4 illustrates a left side elevation view thereof;
FIG. 5 illustrates a right side elevation view thereof;
FIG. 6. Illustrates top plan view thereof; and,
FIG. 7 illustrates a bottom plan view thereof.

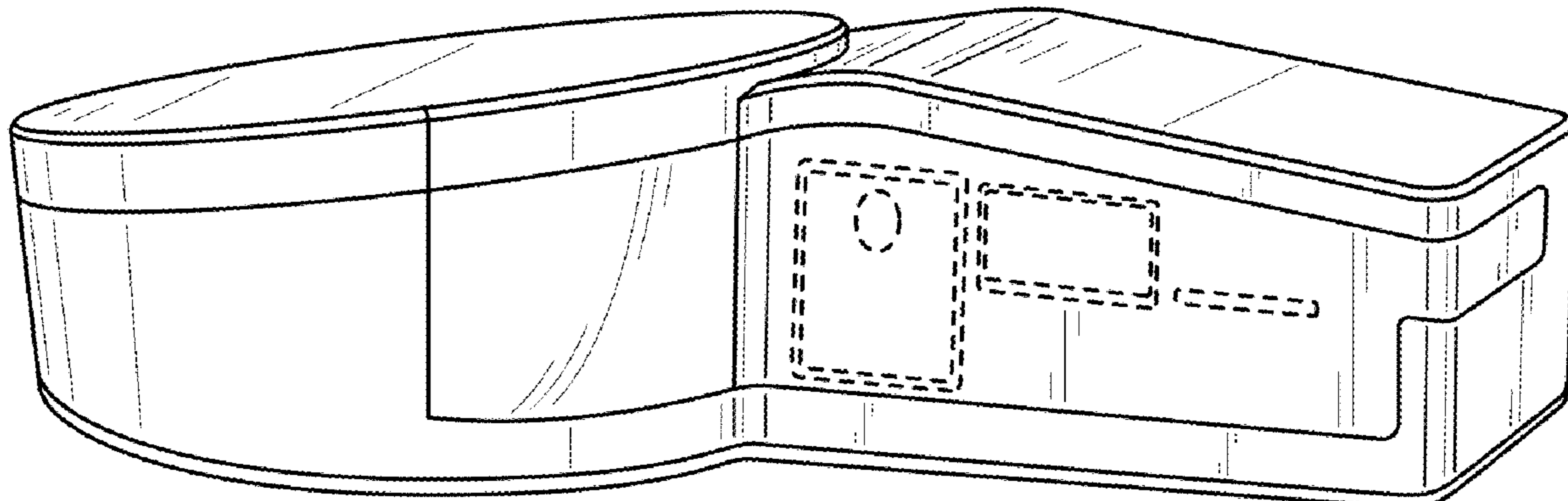
The broken lines are included for the purpose of illustrating
portions of the article that form no part of the claimed
design.

1 Claim, 4 Drawing Sheets

(56) **References Cited**

U.S. PATENT DOCUMENTS

D213,917 S * 4/1969 Peterson D15/147
D233,244 S * 10/1974 Quandt D24/220
D237,106 S * 10/1975 Baljet et al. D15/147
D260,812 S * 9/1981 Piet D15/122
D263,739 S * 4/1982 Piet D15/122
D287,759 S * 1/1987 Koonts D24/221



(56)

References Cited

U.S. PATENT DOCUMENTS

8,414,466 B2 * 4/2013 Hashimoto B04B 5/0414
494/12
D759,265 S * 6/2016 Koop D24/220
D794,687 S * 8/2017 Gericke D15/122
D811,815 S * 3/2018 Fletcher D7/397
D814,618 S * 4/2018 Cartwright D23/356
D815,751 S * 4/2018 Tominaga D24/219
D831,841 S * 10/2018 Tominaga D24/219
D836,764 S * 12/2018 Avidor D23/366
10,493,469 B2 * 12/2019 Hornek B04B 9/00
D877,354 S * 3/2020 Schaff D24/224
2016/0325002 A1 * 11/2016 Hsiao A61L 9/14
2017/0360981 A1 * 12/2017 Avidor A61L 9/012

* cited by examiner

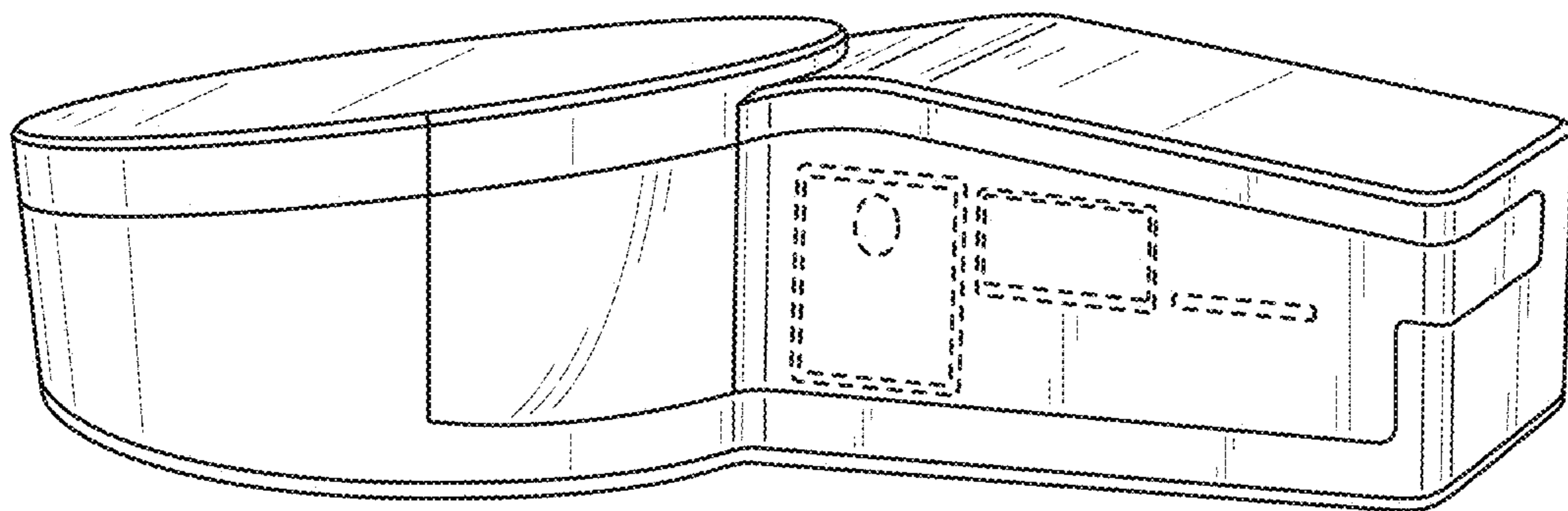


FIG. 1

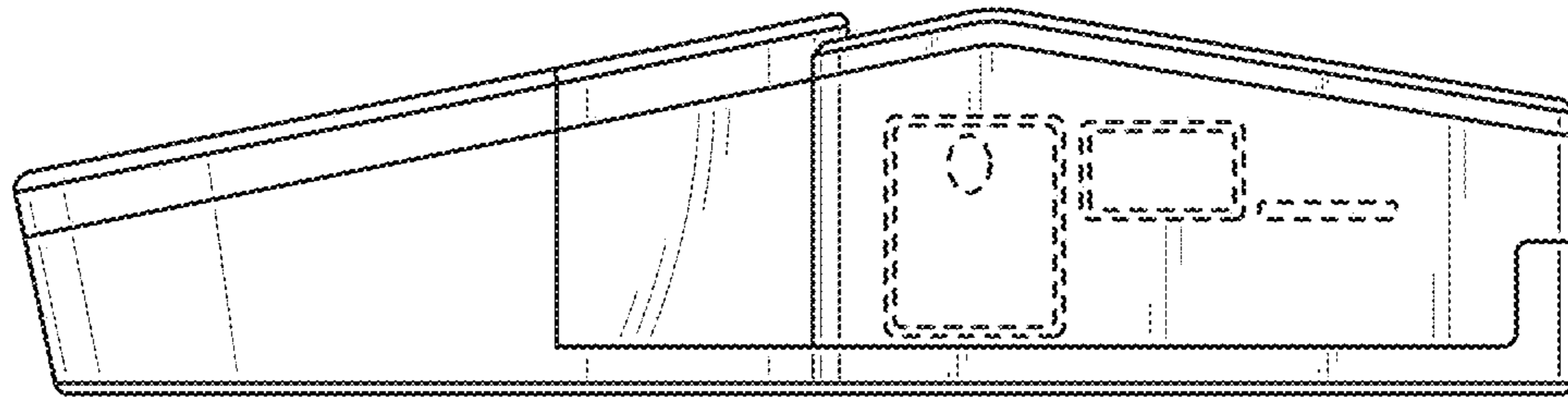


FIG. 2

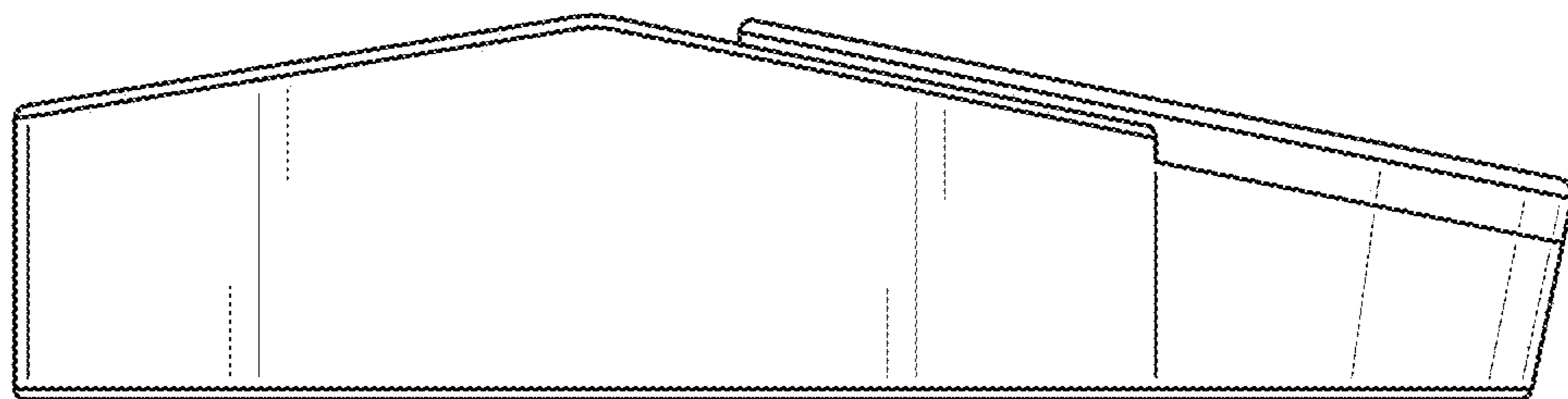


FIG. 3

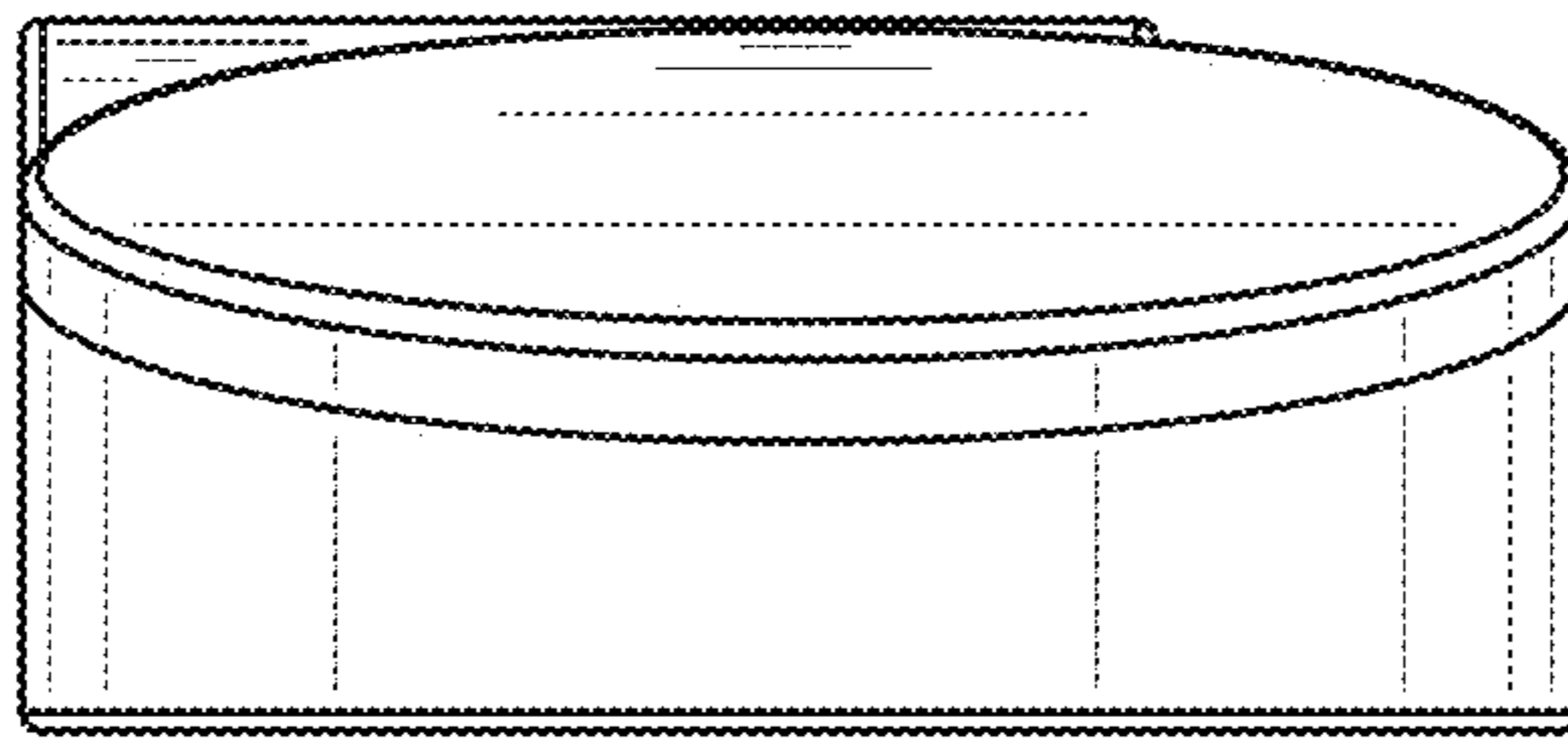


FIG. 4

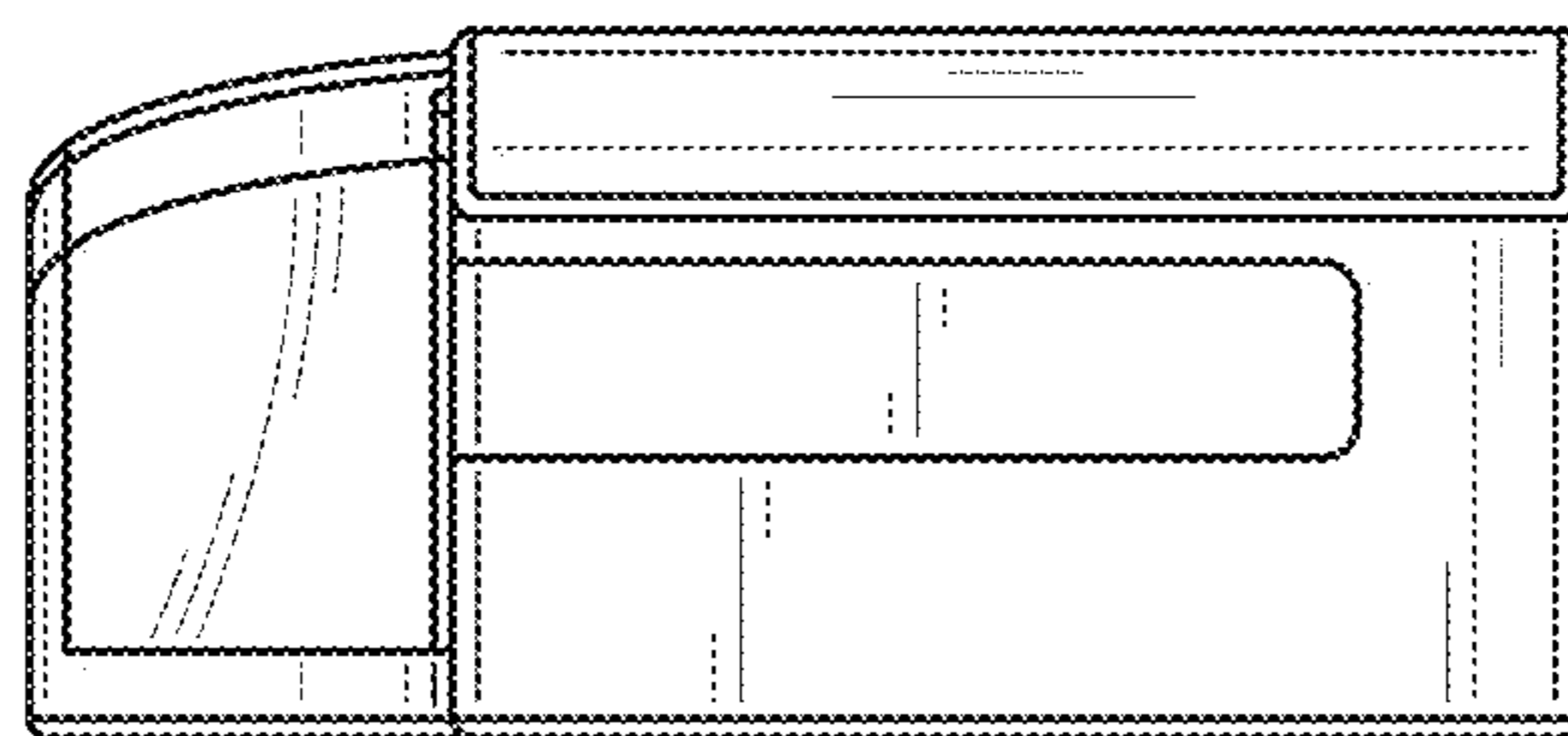


FIG. 5

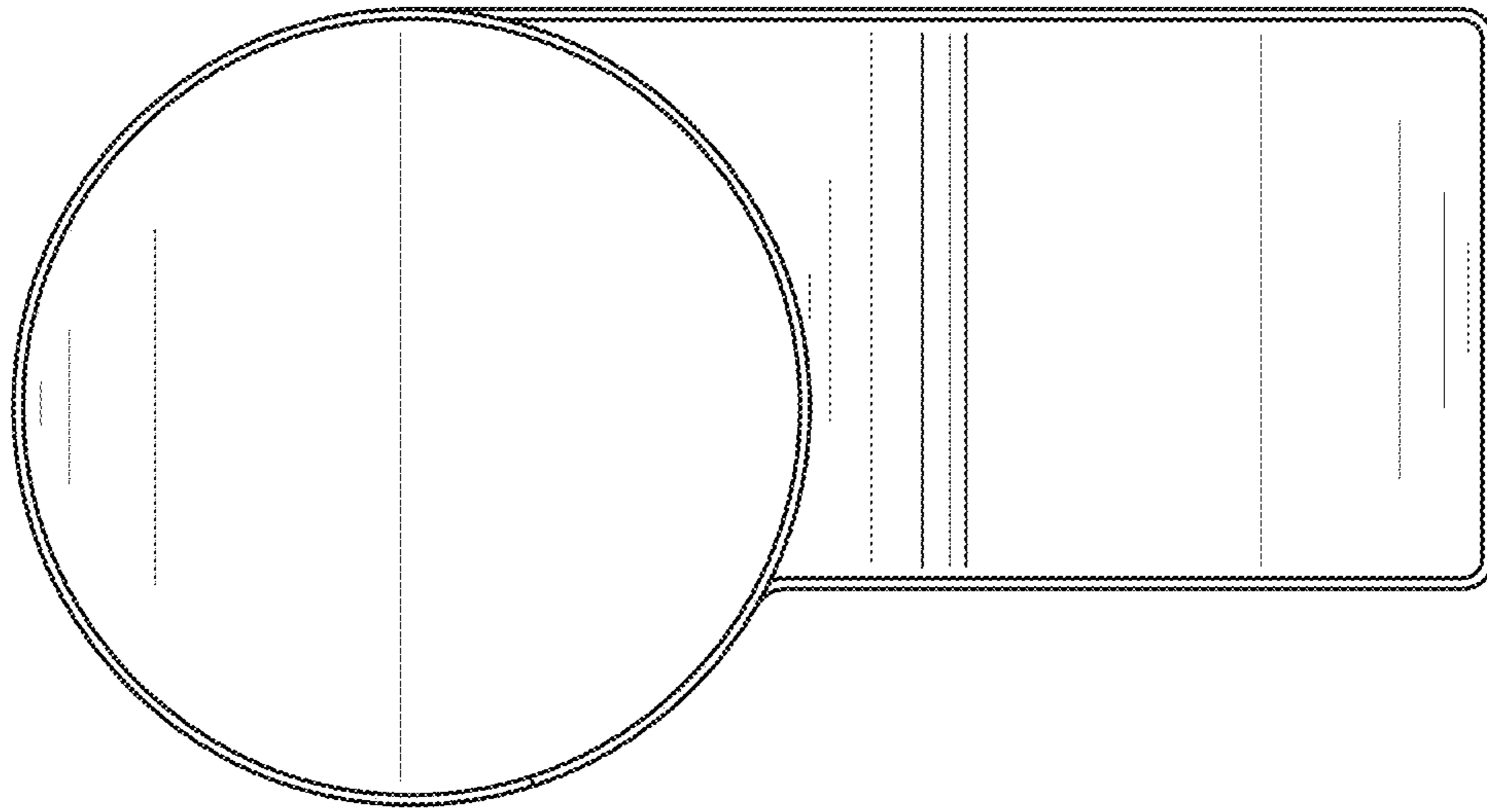


FIG. 6

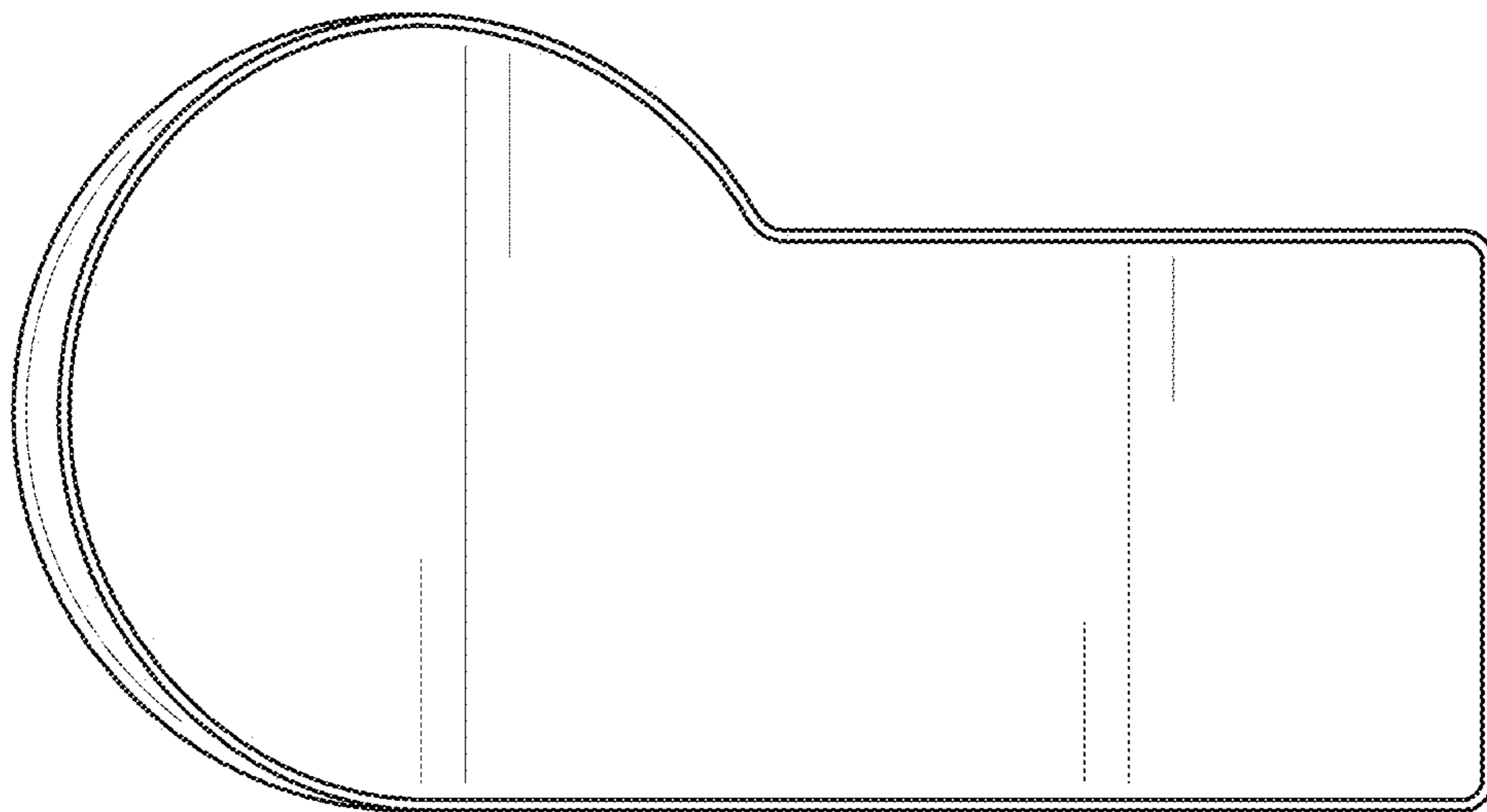


FIG. 7