



US00D898087S

(12) **United States Design Patent** (10) **Patent No.:** **US D898,087 S**  
**Burmeister** (45) **Date of Patent:** **\*\* Oct. 6, 2020**

(54) **BLOSSOM SHAPED SILICONE BEARING**

D831,463 S \* 10/2018 Granberg ..... D8/349  
10,277,021 B2 \* 4/2019 Kim ..... B60R 16/0215  
D863,001 S \* 10/2019 Johansson ..... D8/14

(71) Applicant: **Aesculap AG**, Tuttlingen (DE)

(72) Inventor: **Christoph Burmeister**, Singen (DE)

(73) Assignee: **Aesculap AG**, Tuttlingen (DE)

(\*\*) Term: **15 Years**

(21) Appl. No.: **29/661,502**

(22) Filed: **Aug. 28, 2018**

(51) **LOC (12) Cl.** ..... **15-09**

(52) **U.S. Cl.**  
USPC ..... **D15/143**

(58) **Field of Classification Search**  
USPC ..... D8/349, 354, 356, 373, 394, 380;  
D15/122, 138, 143; D24/152, 184, 176,  
D24/199, 232; D3/203.1, 203.3, 203.6,  
D3/203.7  
CPC ..... A61C 1/14; Y10T 279/3418; Y10T  
279/3487; Y10T 408/907  
See application file for complete search history.

(56) **References Cited**

**U.S. PATENT DOCUMENTS**

D661,715 S *	6/2012	Hickman	.....	D15/143
D690,263 S *	9/2013	Lohne	.....	D13/110
D690,264 S *	9/2013	Lohne	.....	D13/110
D724,202 S *	3/2015	Miyano	.....	D24/113
D743,038 S *	11/2015	Kawasaki	.....	D24/180
D752,960 S *	4/2016	Fujioka	.....	D21/658
D753,478 S *	4/2016	Hayman	.....	D8/396
D755,972 S *	5/2016	Steward, Jr.	.....	D24/161
D771,014 S *	11/2016	Dubbe	.....	D14/206
D783,799 S *	4/2017	Goode	.....	D24/102

**OTHER PUBLICATIONS**

Ermis Sterilisation Container Systems Catalog, with translation, Jul. 27, 2017, pp. 1-98. Please refer to pp. 48 and 75.  
CBM Systems for Sterilization Services Catalog, with translation, May 4, 2016, pp. 1-140. Please refer to pp. 97-103,108, 109, 111, and 115-117.  
Aesculap Sterilcontainer System Catalog, Mar. 2015, pp. 1-116. Please refer to pp. 74-80.

\* cited by examiner

*Primary Examiner* — Michael C Stout  
*Assistant Examiner* — Fitzgerald L Butac

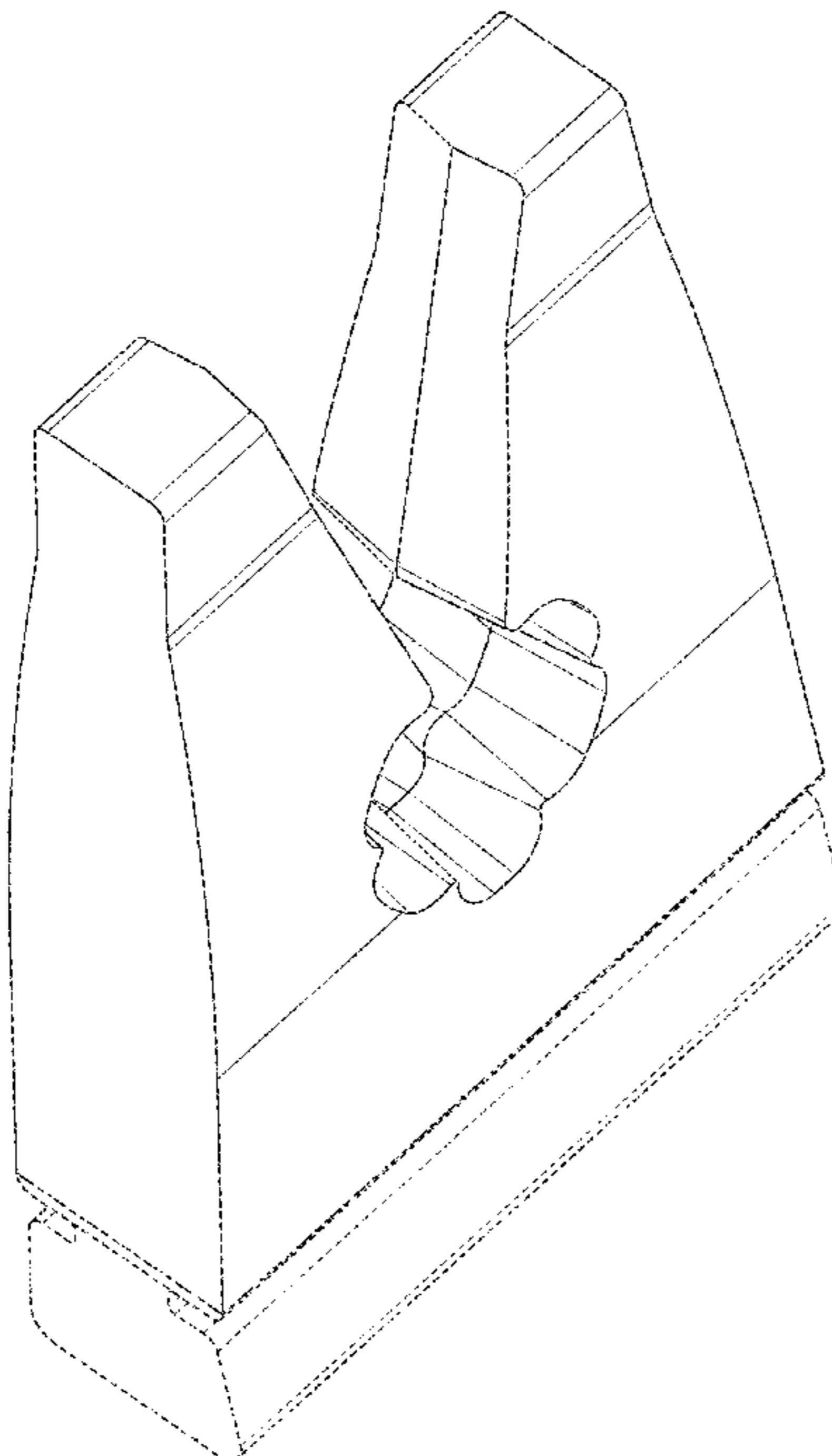
(57) **CLAIM**

The ornamental design for a blossom shaped silicone bearing, as shown and described.

**DESCRIPTION**

FIG. 1 is a perspective view of a blossom shaped silicone bearing;  
FIG. 2 is a front view thereof;  
FIG. 3 is a rear view thereof;  
FIG. 4 is a left side view thereof;  
FIG. 5 is a right side view thereof;  
FIG. 6 is a top plan view thereof; and,  
FIG. 7 is a bottom plan view thereof.  
The broken lines show portions of the blossom shaped silicone bearing that form no part of the claimed design. The dash-dot broken lines are for the purpose of showing the bounds of the claimed design, and form no part thereof.

**1 Claim, 7 Drawing Sheets**



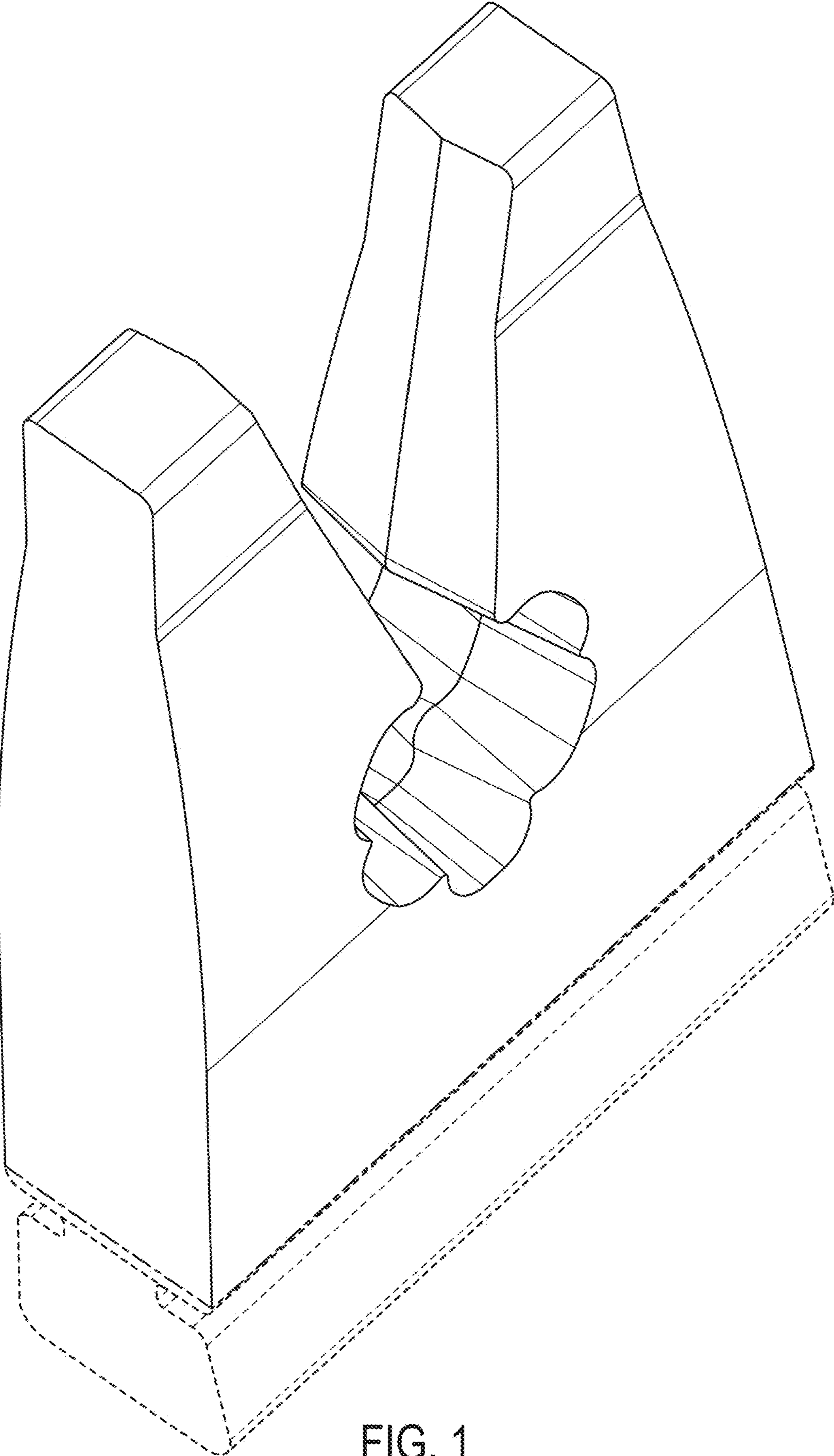


FIG. 1

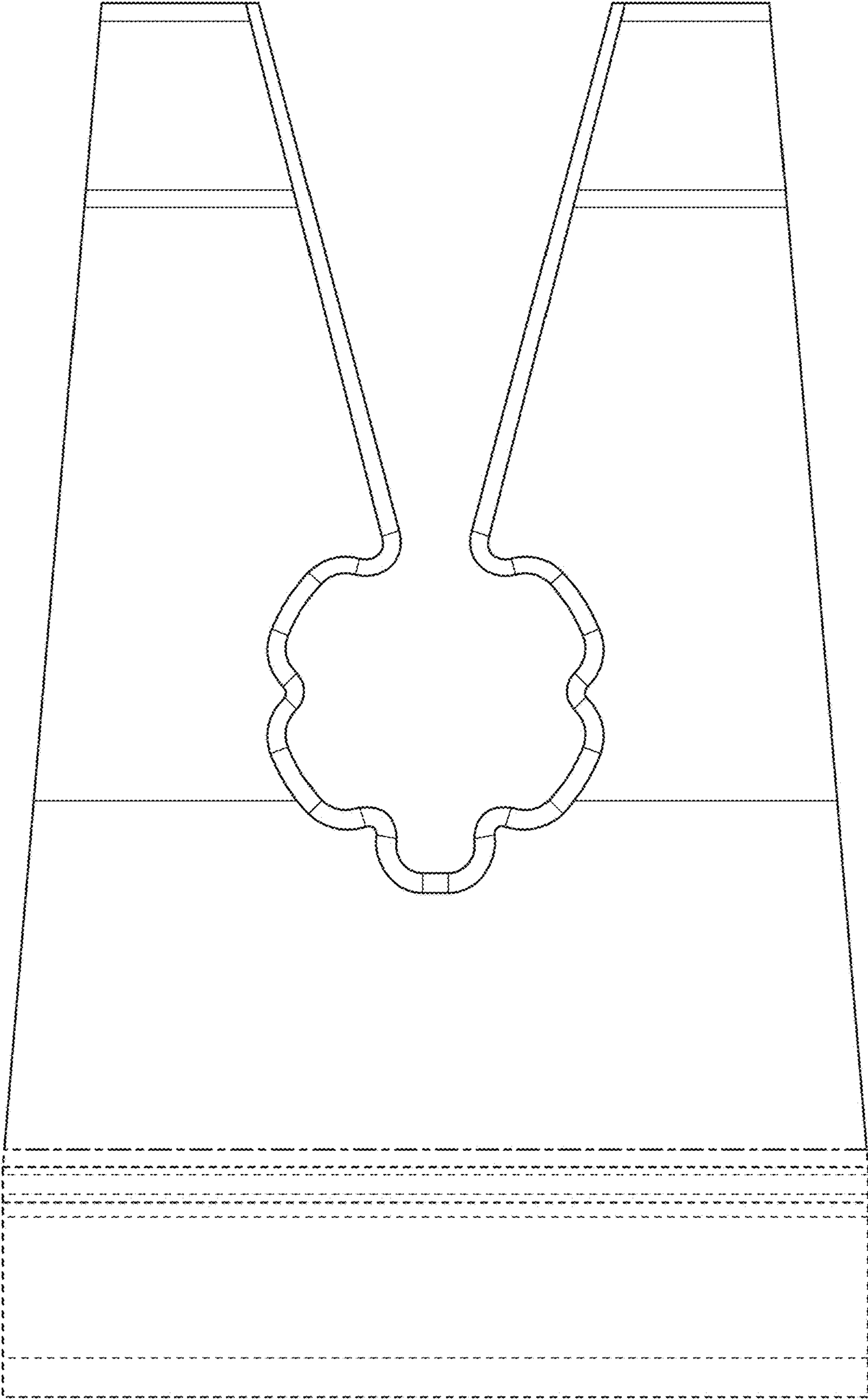


FIG. 2

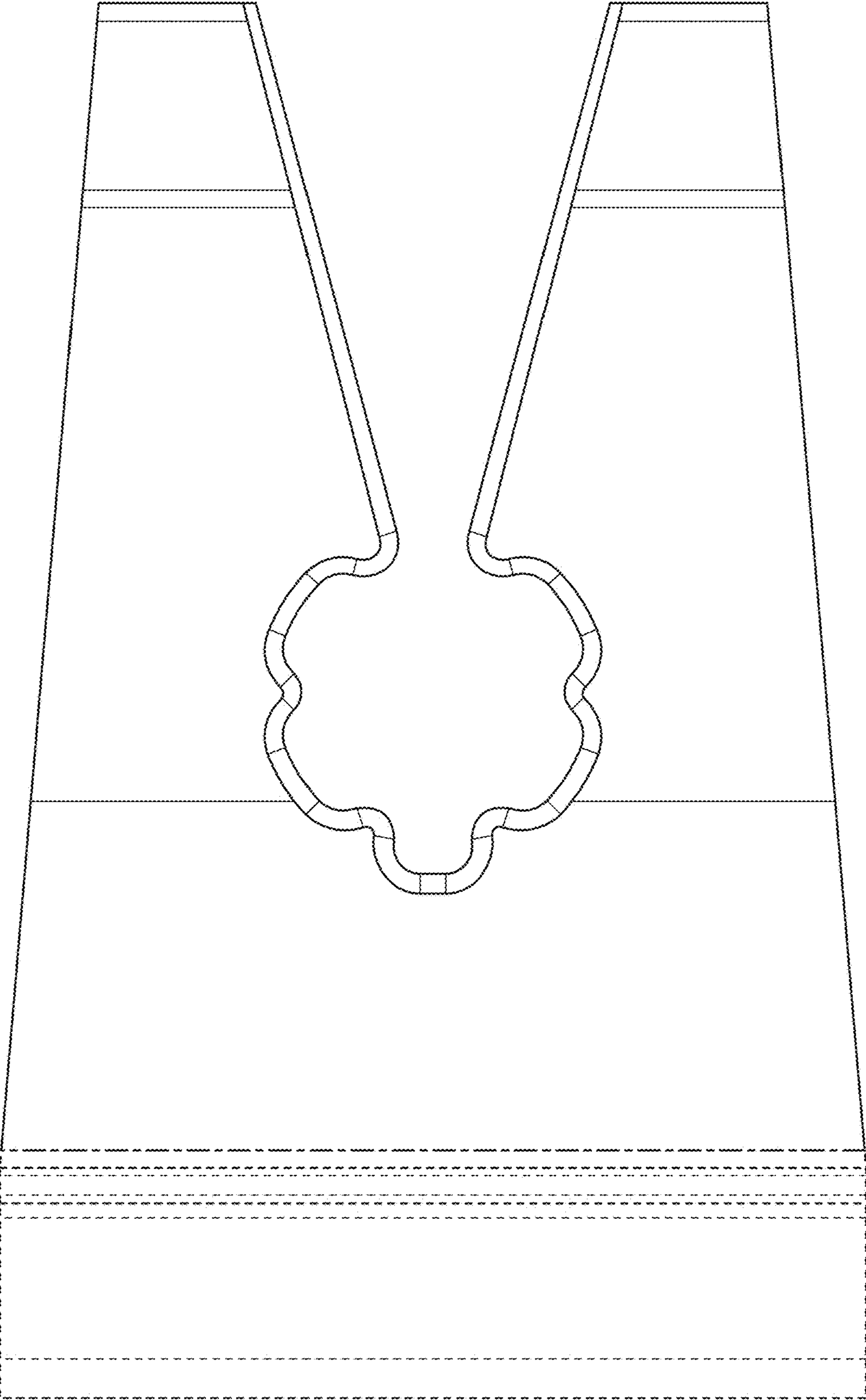


FIG. 3

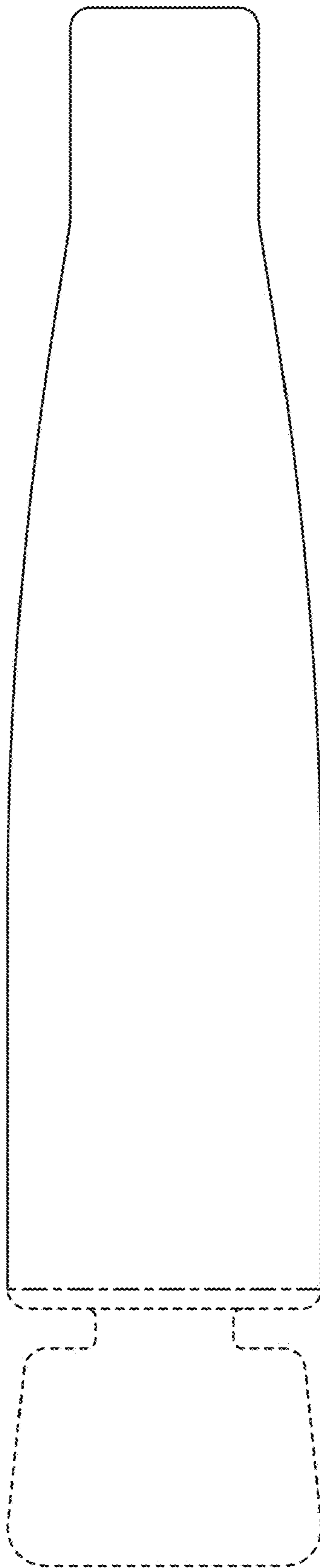


FIG. 4

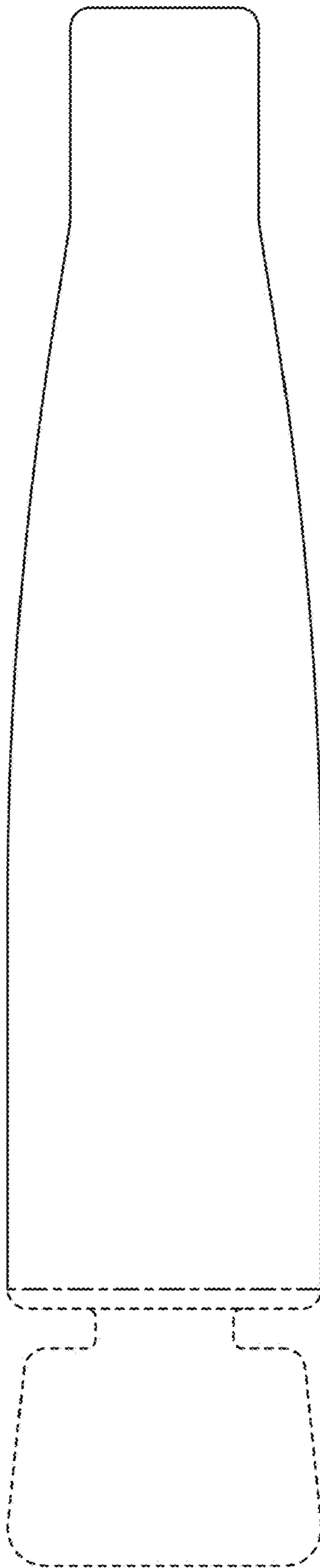


FIG. 5



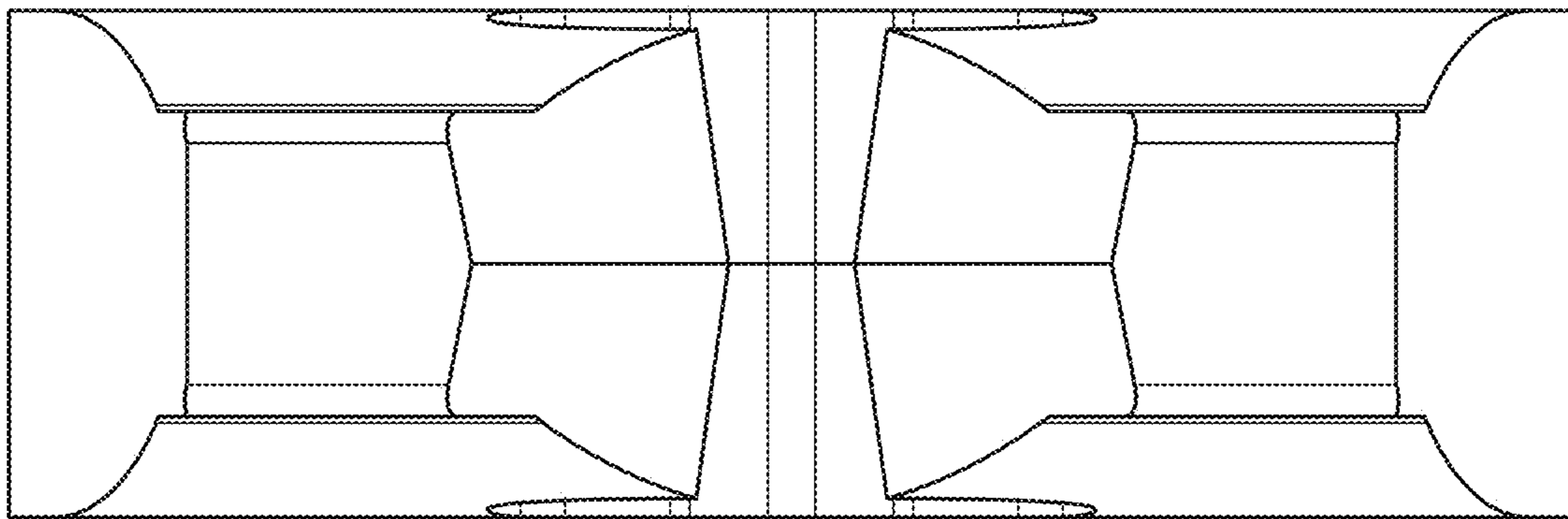


FIG. 6

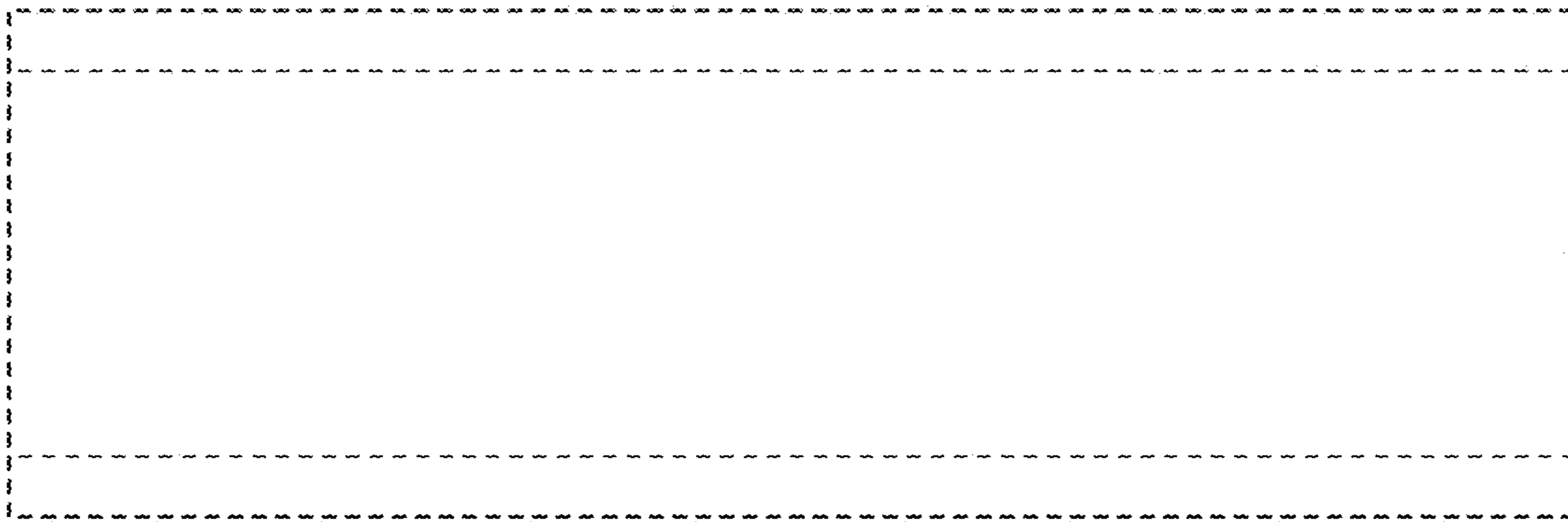


FIG. 7



UNITED STATES PATENT AND TRADEMARK OFFICE  
**CERTIFICATE OF CORRECTION**

PATENT NO. : D898,087 S  
APPLICATION NO. : 29/661502  
DATED : October 6, 2020  
INVENTOR(S) : Christoph Burmeister

Page 1 of 1

It is certified that error appears in the above-identified patent and that said Letters Patent is hereby corrected as shown below:

On the Title Page

Please insert the following Priority:  
-- (30) Foreign Priority Data  
March 6, 2018 (EU) 004741874 --.

Signed and Sealed this  
Tenth Day of August, 2021



Drew Hirshfeld  
*Performing the Functions and Duties of the  
Under Secretary of Commerce for Intellectual Property and  
Director of the United States Patent and Trademark Office*