



US00D898085S

(12) **United States Design Patent** (10) **Patent No.:** **US D898,085 S**
Kim et al. (45) **Date of Patent:** **** Oct. 6, 2020**

(54) **CUTTING INSERT**

(71) Applicant: **KORLOY INC.**, Seoul (KR)

(72) Inventors: **Tae Kyun Kim**, Cheongju-si (KR);
Hyo San Kim, Cheongju-si (KR);
Young Heum Kim, Cheongju-si (KR);
Ki Chan Nam, Cheongju-si (KR)

(73) Assignee: **KORLOY INC.**, Seoul (KR)

(**) Term: **15 Years**

(21) Appl. No.: **35/507,313**

(22) Filed: **Jun. 24, 2019**

(80) **Hague Agreement Data**

Int. Filing Date: **Jun. 24, 2019**
Int. Reg. No.: **DM/202356**
Int. Reg. Date: **Jun. 24, 2019**
Int. Reg. Pub. Date: **Aug. 23, 2019**

(30) **Foreign Application Priority Data**

Mar. 6, 2019 (KR) 30-2019-0009916

(51) **LOC (12) Cl.** **15-09**

(52) **U.S. Cl.**
USPC **D15/139**
CPC **B23C 5/207** (2013.01)

(58) **Field of Classification Search**
USPC D15/124-144; D8/20, 70, 90, 98;
409/139-140; 407/59, 114
CPC B23C 2200/0494; B23C 2200/086; B23C
2200/128; B23C 2200/362; B23C 5/15;
B23C 5/06; B23C 5/207; B23C 2200/367;
B23C 2200/0422; B23B 27/007; B23B
27/143; B23B 2200/321; B23B 2200/087

See application file for complete search history.

(56) **References Cited**

U.S. PATENT DOCUMENTS

D304,949 S * 12/1989 Niebauer D15/139
D305,239 S * 12/1989 Niebauer D15/139
5,145,295 A * 9/1992 Satran B23C 5/2213
407/113
5,207,538 A * 5/1993 Satran B23C 5/2213
407/113
D342,269 S * 12/1993 Arai D15/139
D344,276 S * 2/1994 Markusson D15/139
D345,984 S * 4/1994 Ishikawa D15/139
D345,985 S * 4/1994 Ishikawa D15/139
D355,661 S * 2/1995 Hessman D15/139
D357,692 S * 4/1995 Ishikawa D15/139
D376,158 S * 12/1996 Hessman D15/139
D381,026 S * 7/1997 Hessman D15/139
D409,633 S * 5/1999 Bernadic D15/139
D422,608 S * 4/2000 Malaker D15/139
D425,086 S * 5/2000 Bernadic D15/139
D488,175 S * 4/2004 Kasperik D15/139
7,168,512 B2 * 1/2007 Schuffenhauer B23C 5/207
175/426
D585,467 S * 1/2009 Takanashi D15/139
D589,542 S * 3/2009 Takanashi D15/139
D805,566 S * 12/2017 Oh D15/139
D816,133 S * 4/2018 Mura D15/139
D816,134 S * 4/2018 Mura D15/139
D826,664 S * 8/2018 Matsubara D8/20

(Continued)

Primary Examiner — Richard E Chilcot
(74) *Attorney, Agent, or Firm* — Rabin & Berdo, P.C.

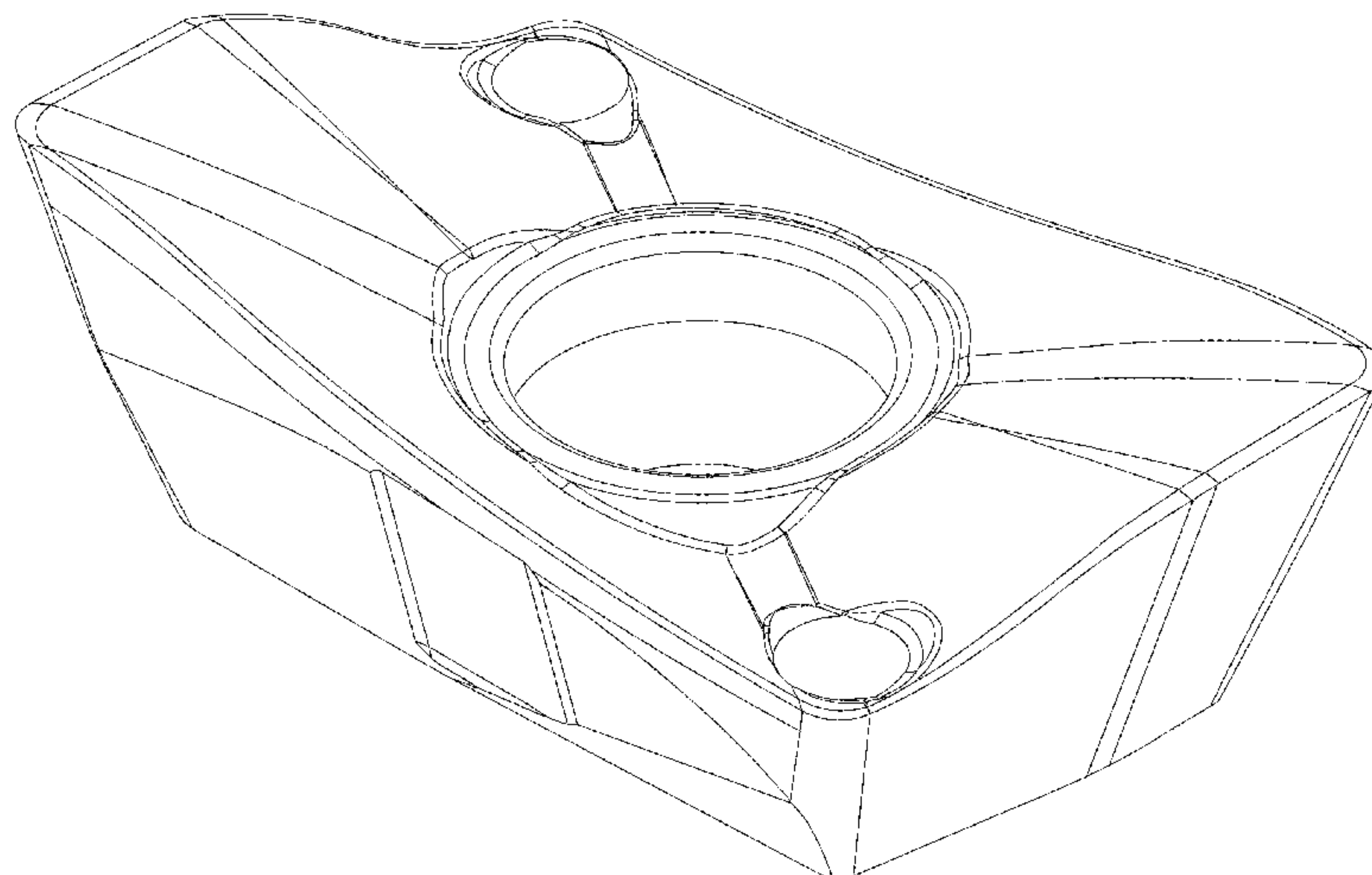
(57) **CLAIM**

The ornamental design for a cutting insert, as shown and described.

DESCRIPTION

- 1. Cutting insert
- 1.1 : Perspective
- 1.2 : Front
- 1.3 : Back

(Continued)



- 1.4 : Top
- 1.5 : Bottom
- 1.6 : Left
- 1.7 : Right

1 Claim, 7 Drawing Sheets

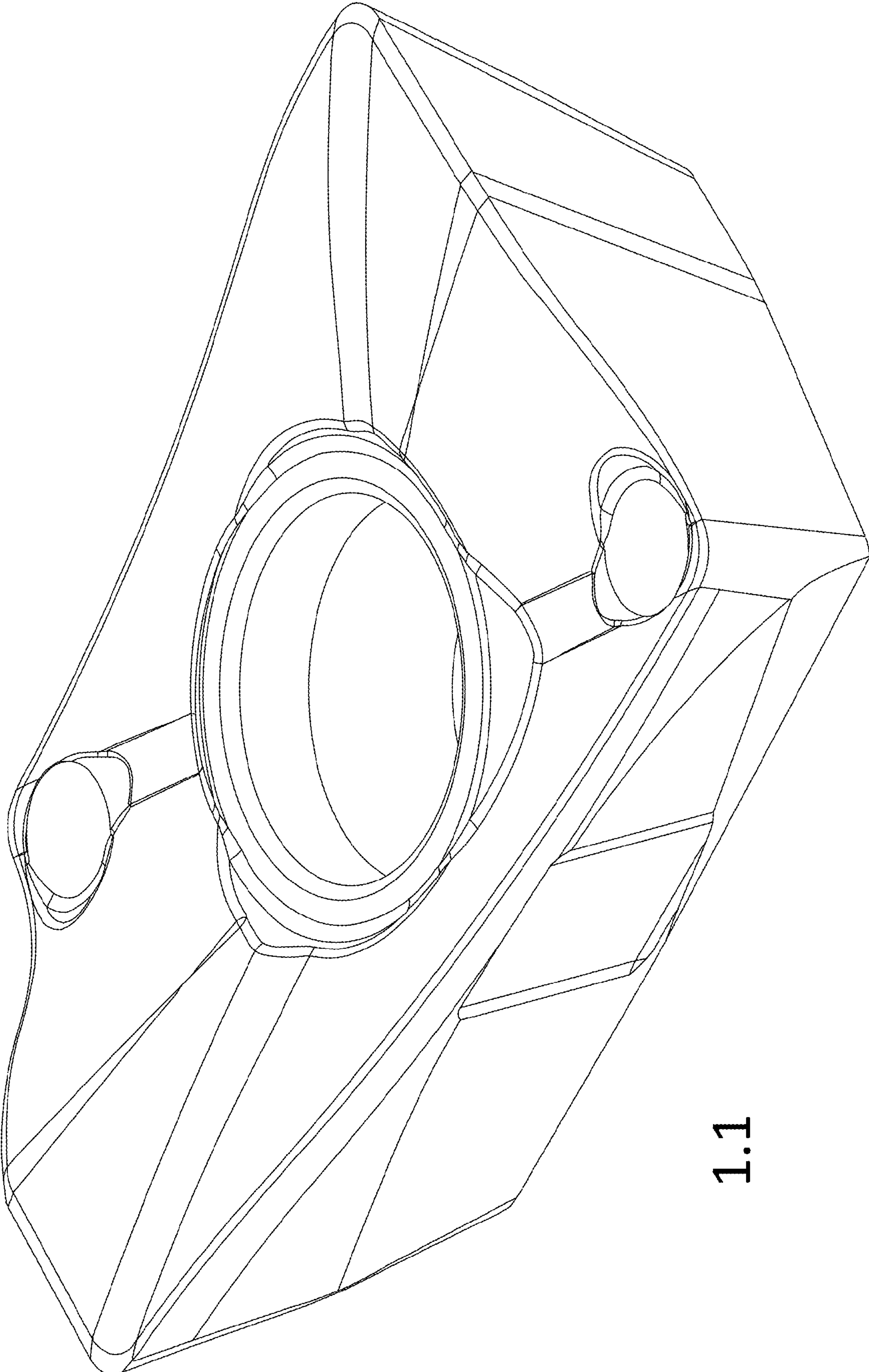
(56)

References Cited

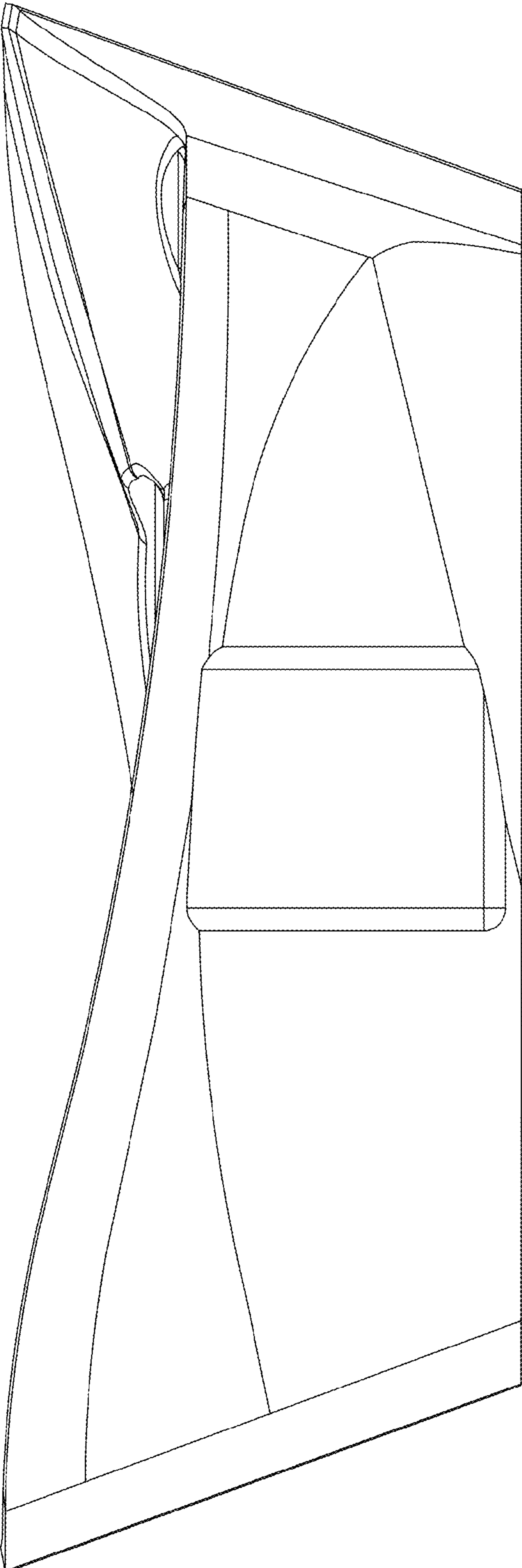
U.S. PATENT DOCUMENTS

D828,414 S *	9/2018	Takahashi	D15/139
D853,456 S *	7/2019	Aizawa	D15/138
D872,784 S *	1/2020	Inagaki	D15/139
D879,168 S *	3/2020	Zhao	D15/139
2015/0202697 A1 *	7/2015	Shiota	B23C 5/109
			407/42
2015/0246398 A1 *	9/2015	Kawasaki	B23B 27/141
			408/231

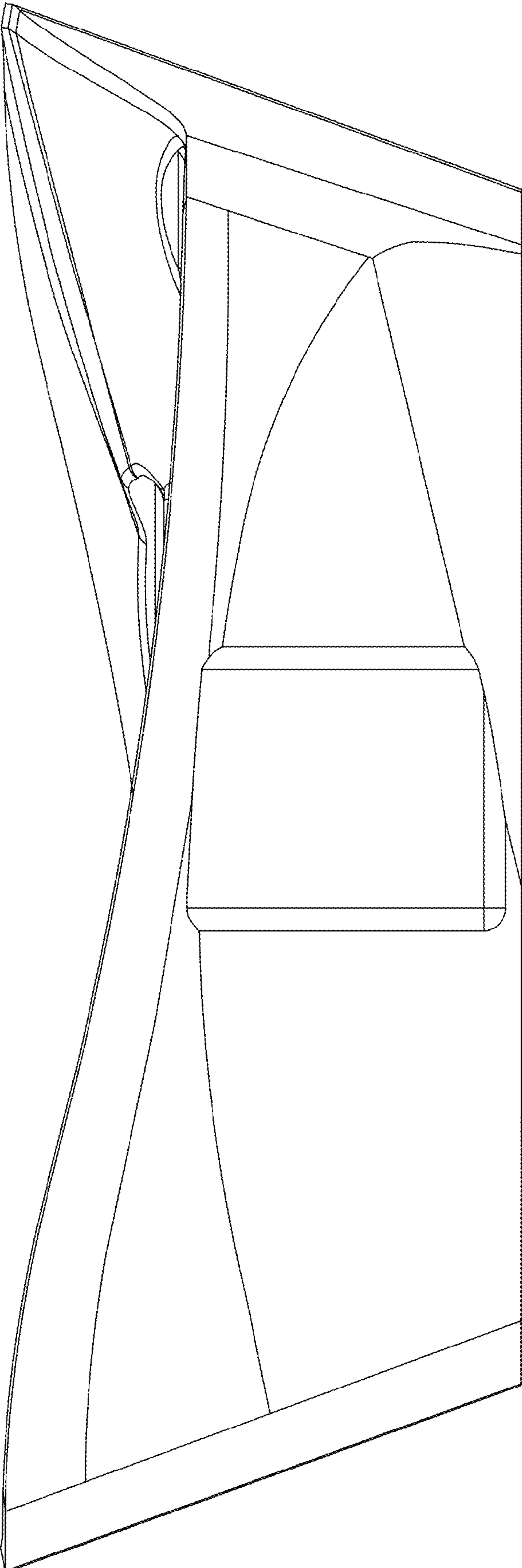
* cited by examiner



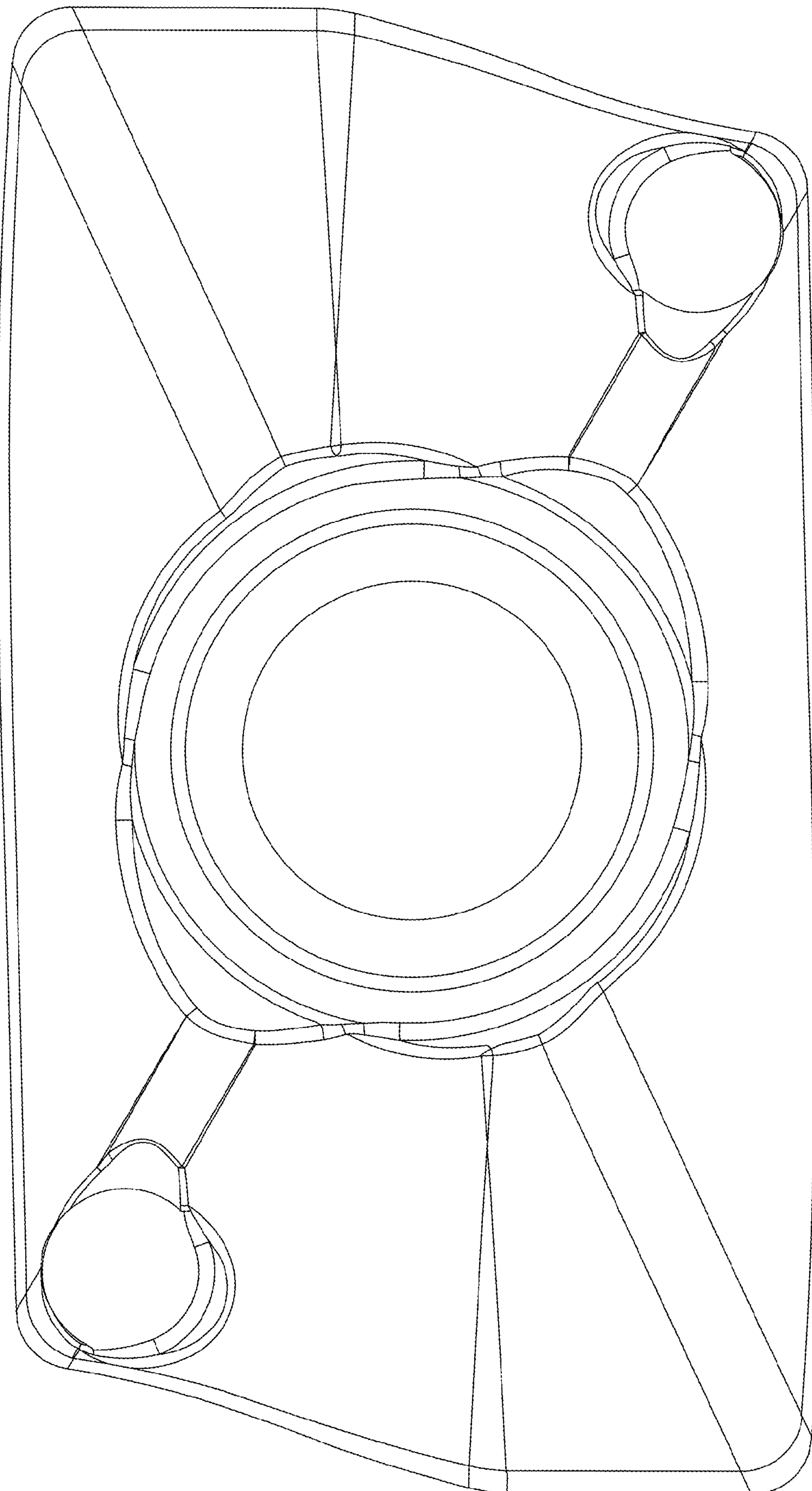
1.1



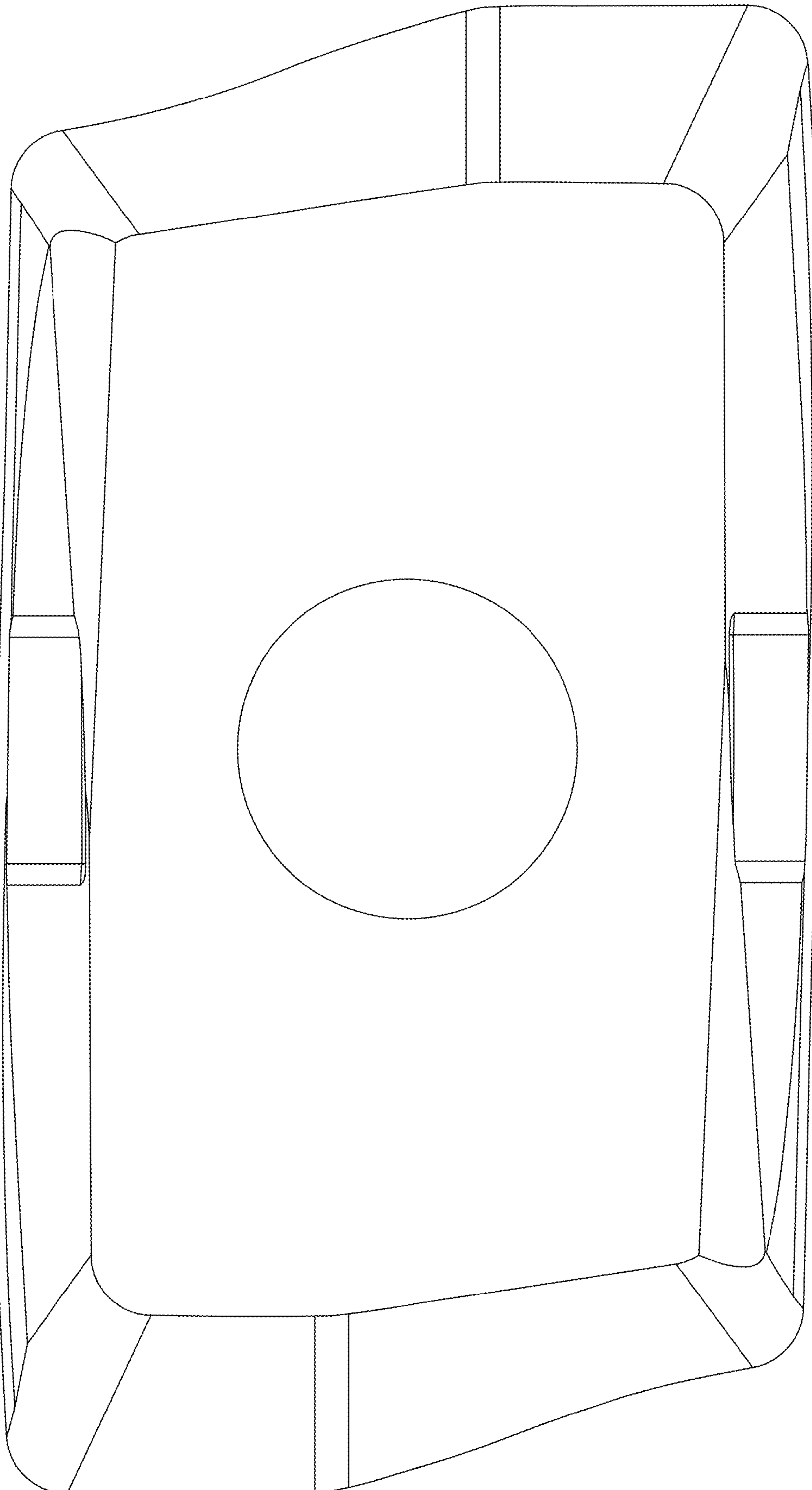
1.2



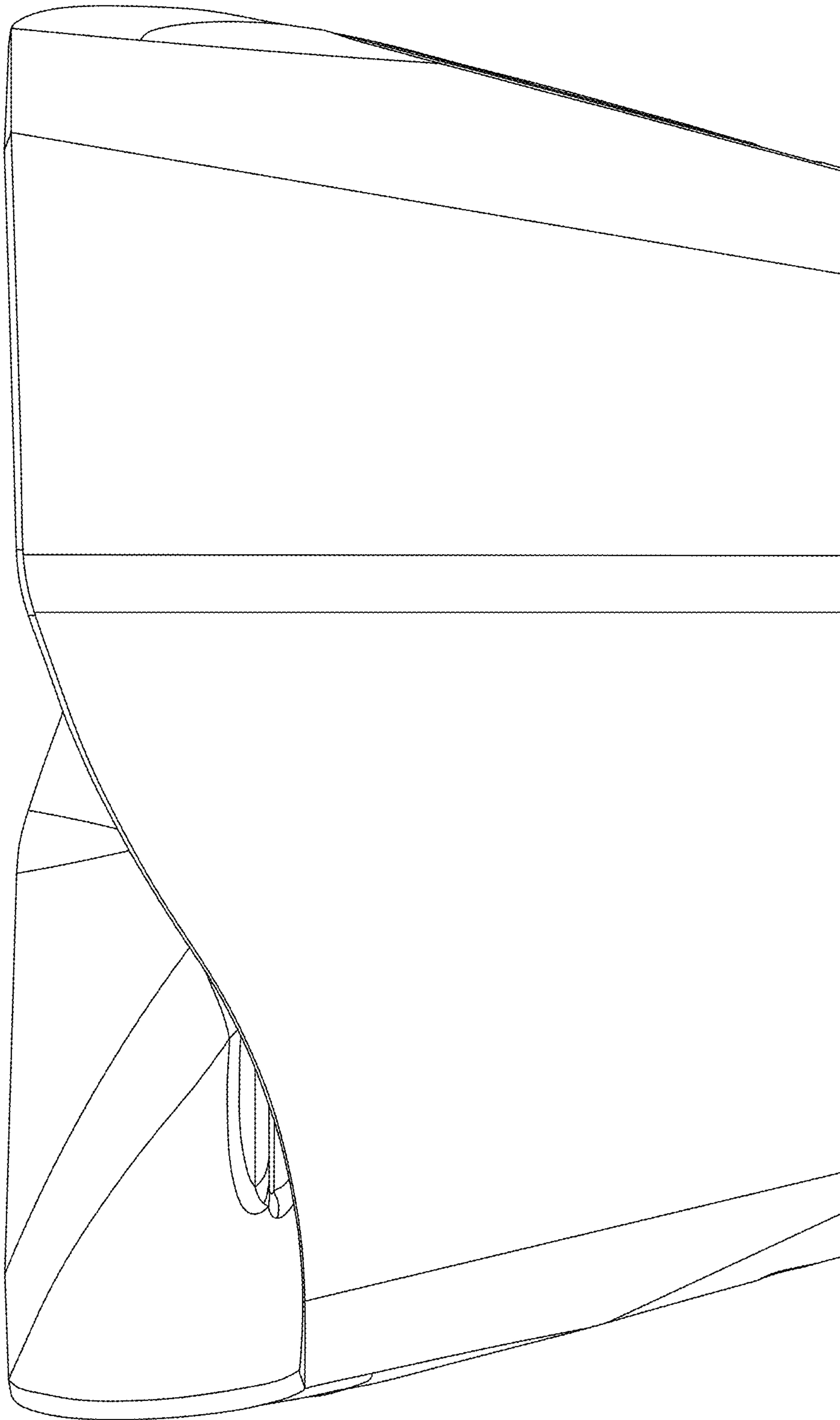
1.3



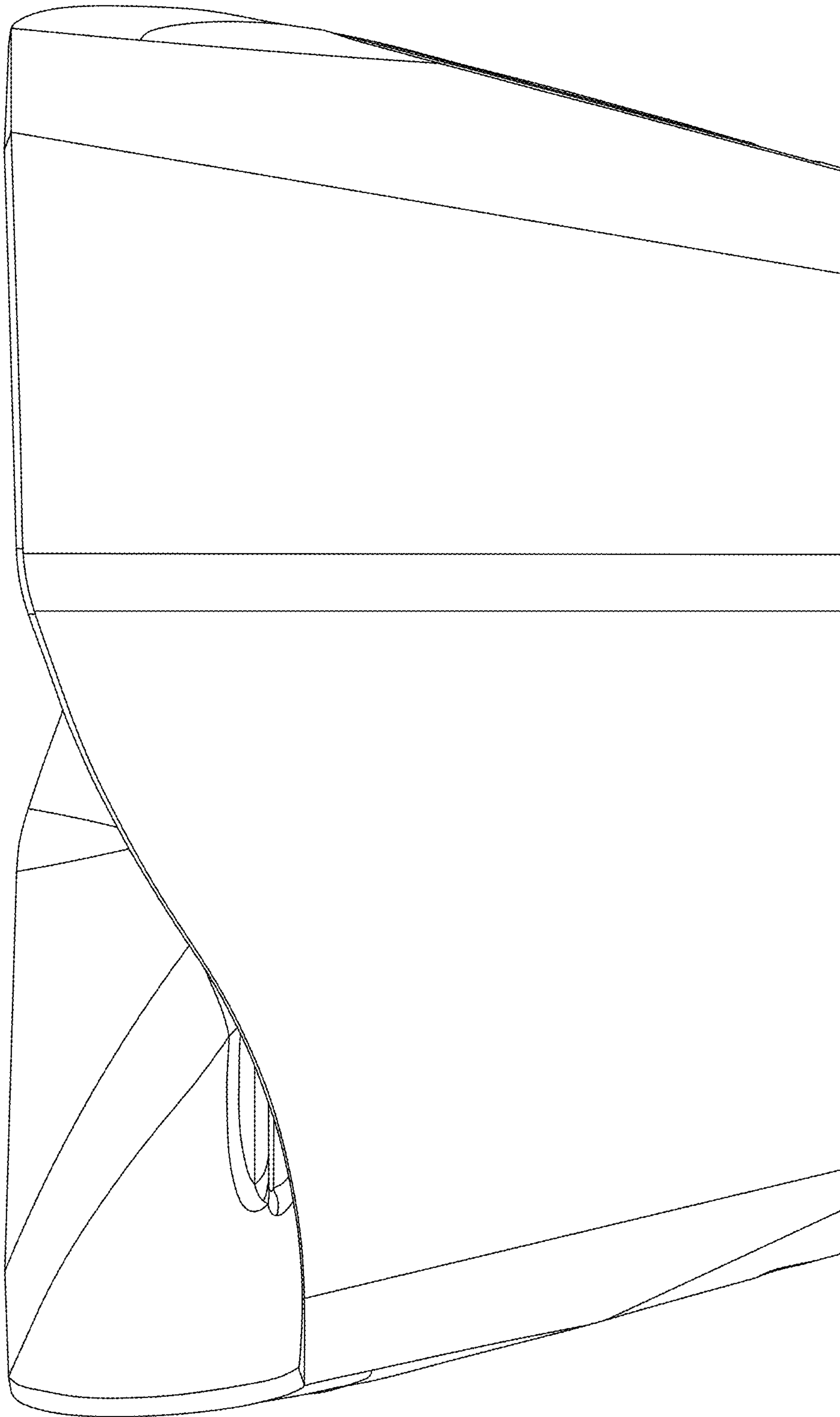
1.4



1.5



1.6



1.7