



US00D898083S

(12) **United States Design Patent** (10) **Patent No.:** **US D898,083 S**
Yao (45) **Date of Patent:** **** Oct. 6, 2020**

(54) **PORTABLE REFRIGERATOR**
(71) Applicant: **Shenzhen San Jutou Network Technology Co., Ltd., Shenzhen (CN)**
(72) Inventor: **Zhihao Yao, Shenzhen (CN)**
(73) Assignee: **SHENZHEN SAN JUTOU NETWORK TECHNOLOGY CO., LTD., Shenzhen (CN)**
(**) Term: **15 Years**
(21) Appl. No.: **29/737,311**

D558,239 S * 12/2007 Takemoto D15/79
D568,909 S 5/2008 Santiago
D744,011 S 11/2015 Reaux
9,220,250 B1 * 12/2015 Davis, Sr. A01K 97/05
D749,653 S * 2/2016 Carnes D15/89
D750,140 S * 2/2016 Cross D15/81
D752,660 S 3/2016 Chen
D800,799 S 10/2017 Feng
D802,028 S 11/2017 Li
D820,049 S * 6/2018 Ahlstrom D7/605
D826,996 S 8/2018 Feng
D829,244 S * 9/2018 Sullivan D15/79
D838,298 S 1/2019 Choi
D886,163 S 6/2020 Yao
D887,788 S * 6/2020 Meda D7/605
D888,503 S * 6/2020 Meda D7/605

(22) Filed: **Jun. 8, 2020**
(51) **LOC (12) Cl.** **15-07**
(52) **U.S. Cl.**
USPC **D15/79**
(58) **Field of Classification Search**
USPC D15/79-91
CPC .. F25D 11/00; F25D 17/065; F25D 2325/022;
F25D 23/069; F25D 25/025; F25D 11/02;
F25D 17/062; F25D 21/12; F25D 21/125;
F25D 21/14; F25D 2317/061; F25D
2317/067; F25D 2323/021; F25D
2323/024; F25D 23/028; F25D 23/04;
F25D 23/066; F25D 23/085; F25D
23/087; F25D 23/126; F25D 2400/02;
F25D 2400/06; F25D 2400/361; F25D
2400/40; F25D 25/005; F25D 25/02;
F25D 2600/02; F25D 2700/02; F25D
2700/12; F25D 2700/121; F25D 2700/14;
F25D 29/00
See application file for complete search history.

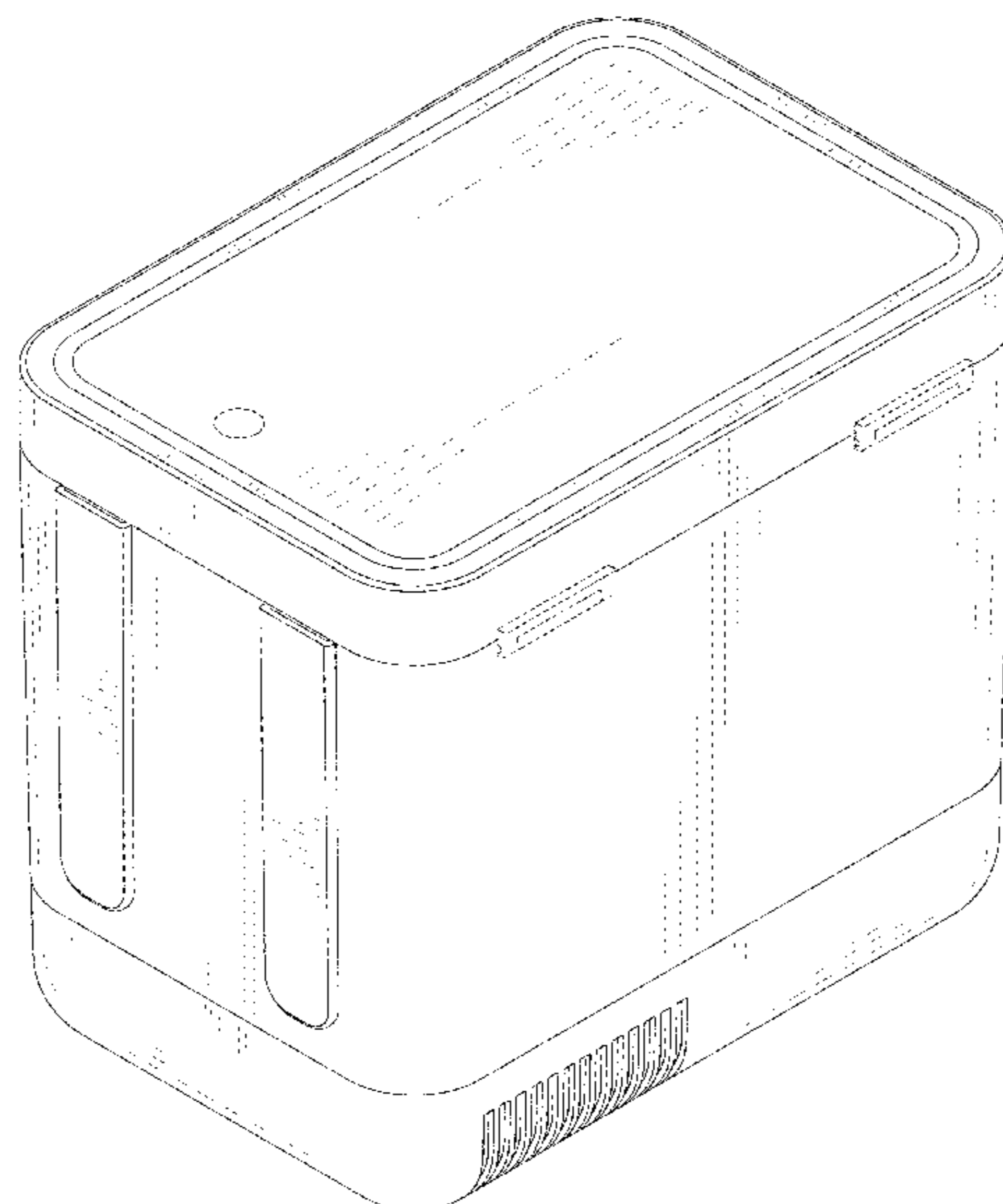
* cited by examiner
Primary Examiner — Khawaja Anwar
(74) *Attorney, Agent, or Firm* — Flener IP & Business Law; Zareefa B. Flener; Ayhan E. Mertogul

(56) **References Cited**
U.S. PATENT DOCUMENTS
5,860,281 A * 1/1999 Coffee A45C 11/20
62/3.62
D548,249 S * 8/2007 Okamoto D15/84

(57) **CLAIM**
The ornamental design for a portable refrigerator, as shown and described.

DESCRIPTION
FIG. 1 is a perspective view of a portable refrigerator showing my new design with the lid closed;
FIG. 2 is another perspective view thereof;
FIG. 3 is another perspective view of the portable refrigerator of FIG. 1 with the lid open;
FIG. 4 a front elevational view thereof;
FIG. 5 a rear elevational view thereof;
FIG. 6 a left side view thereof;
FIG. 7 is a right side view thereof;
FIG. 8 is a top plan view thereof; and,
FIG. 9 is a bottom plan view thereof.
The broken lines in the drawings depict portions of the portable refrigerator that form no part of the claim.

1 Claim, 9 Drawing Sheets



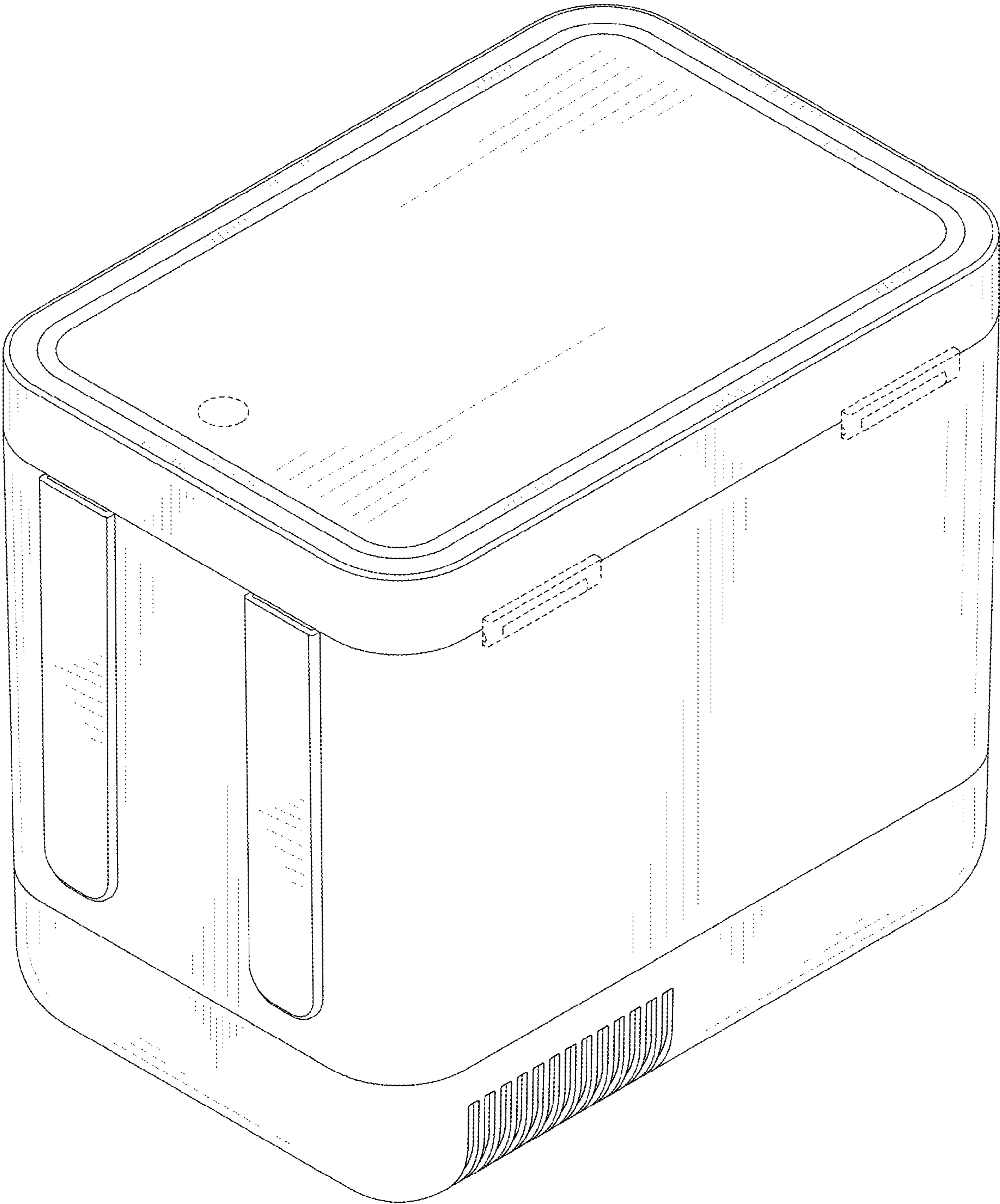


FIG.1

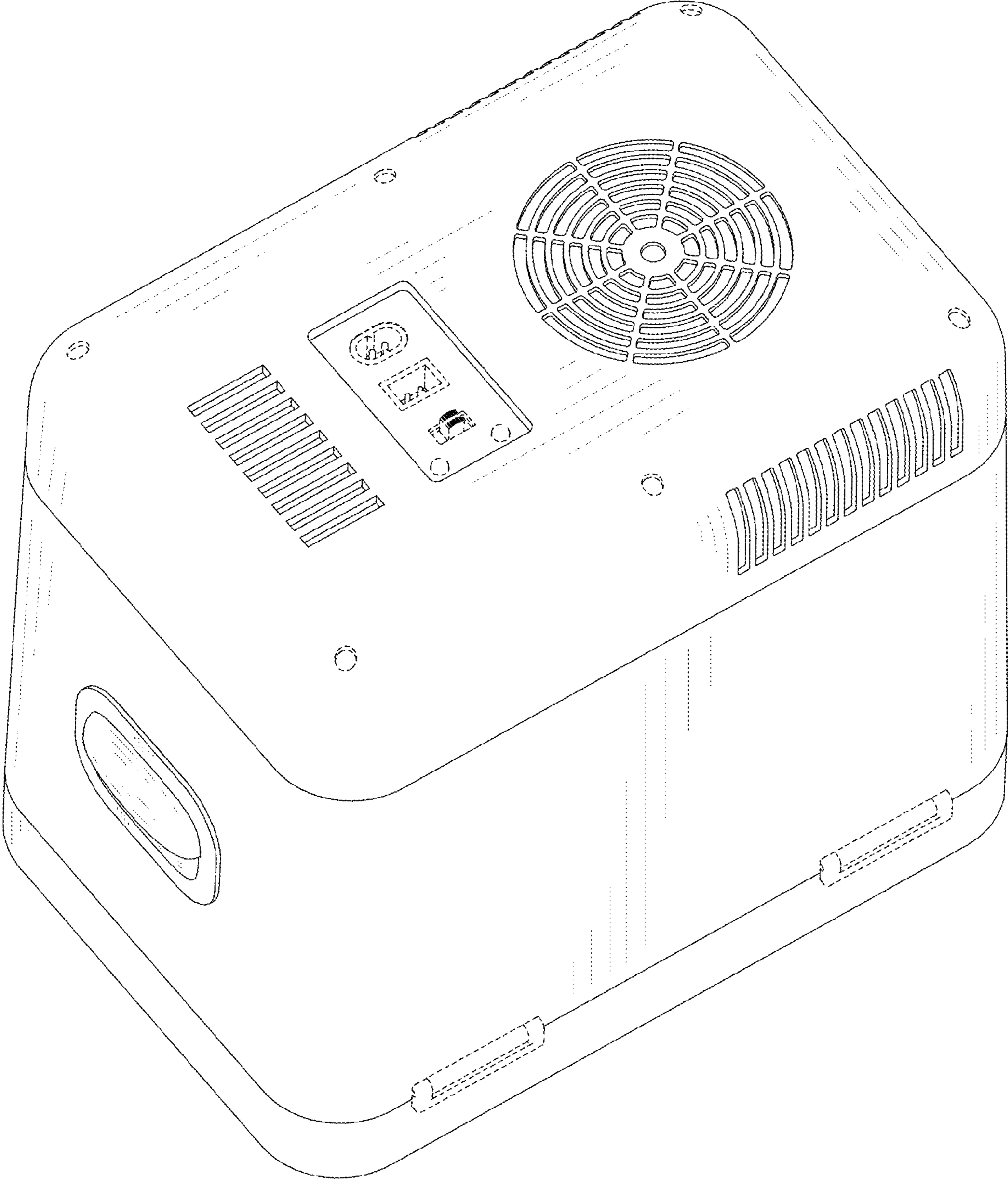


FIG.2

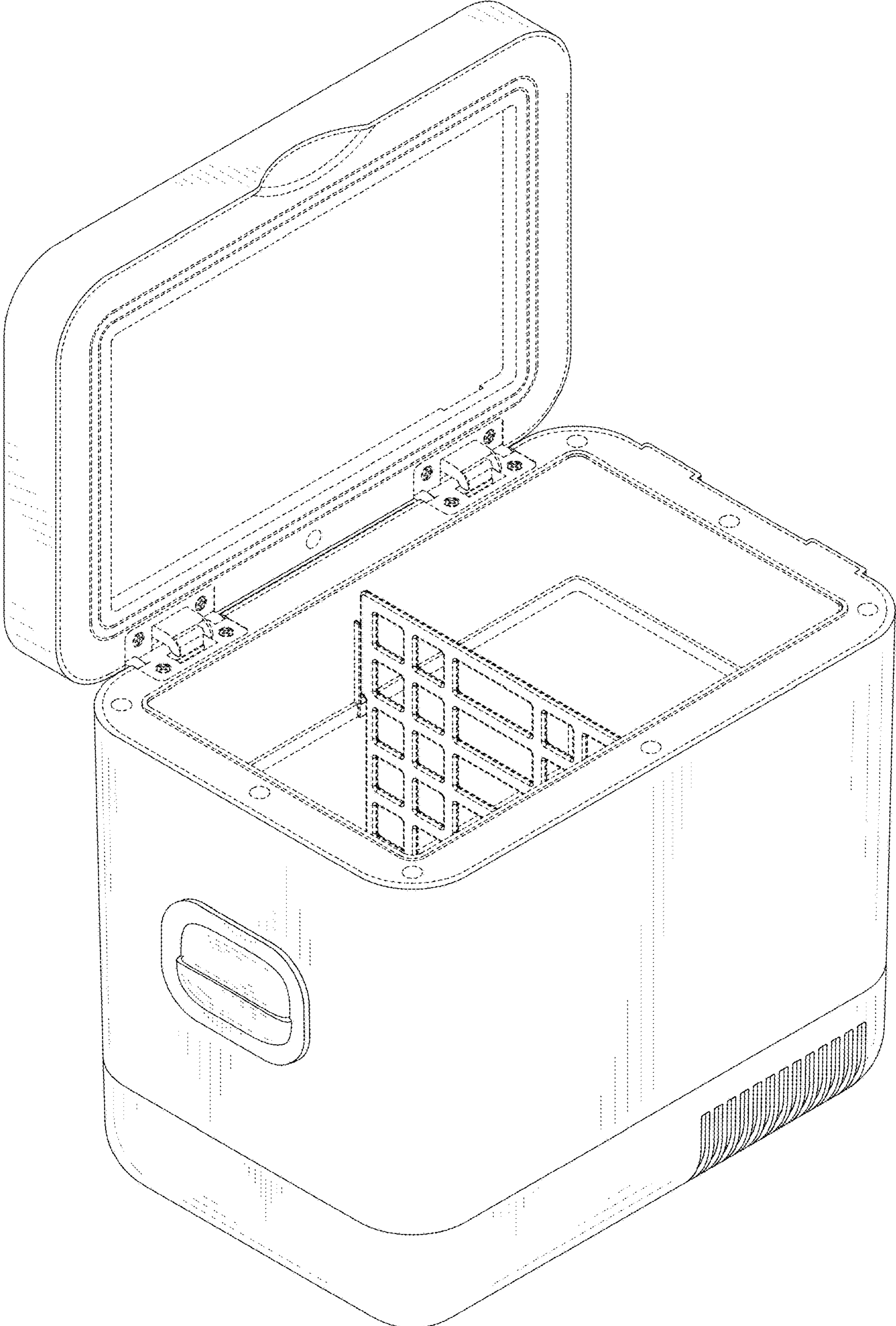


FIG.3

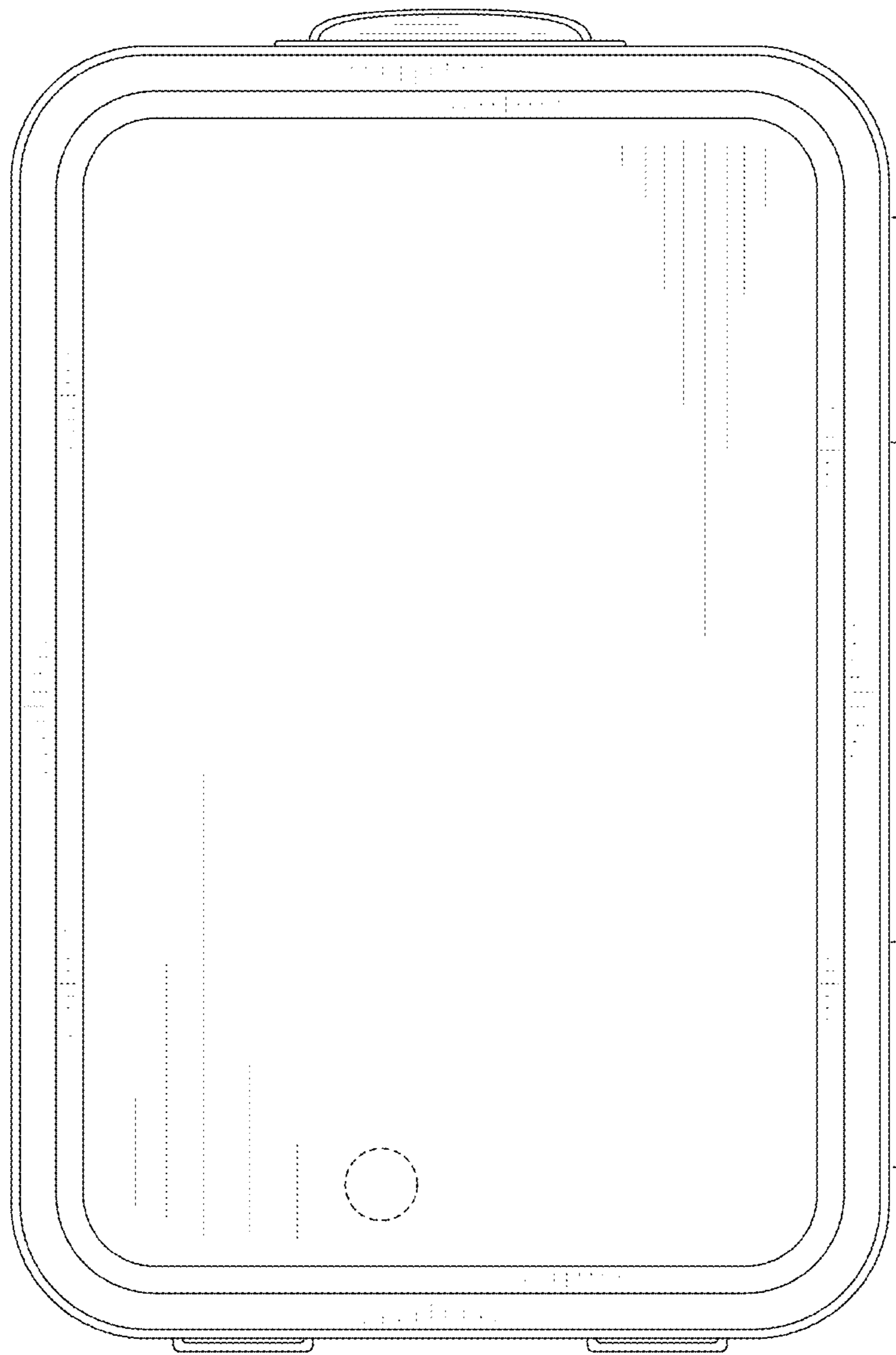


FIG. 4

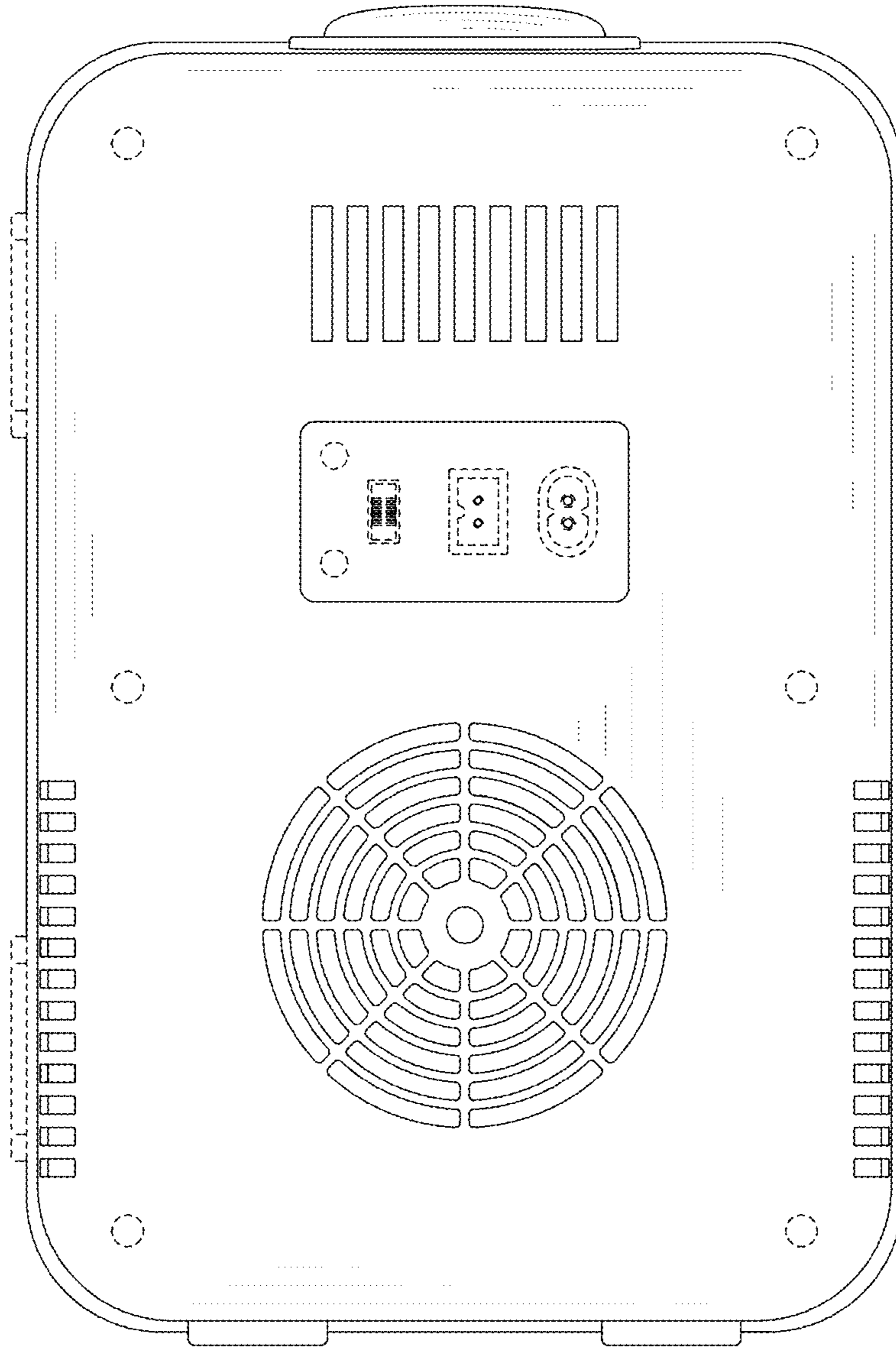


FIG. 5

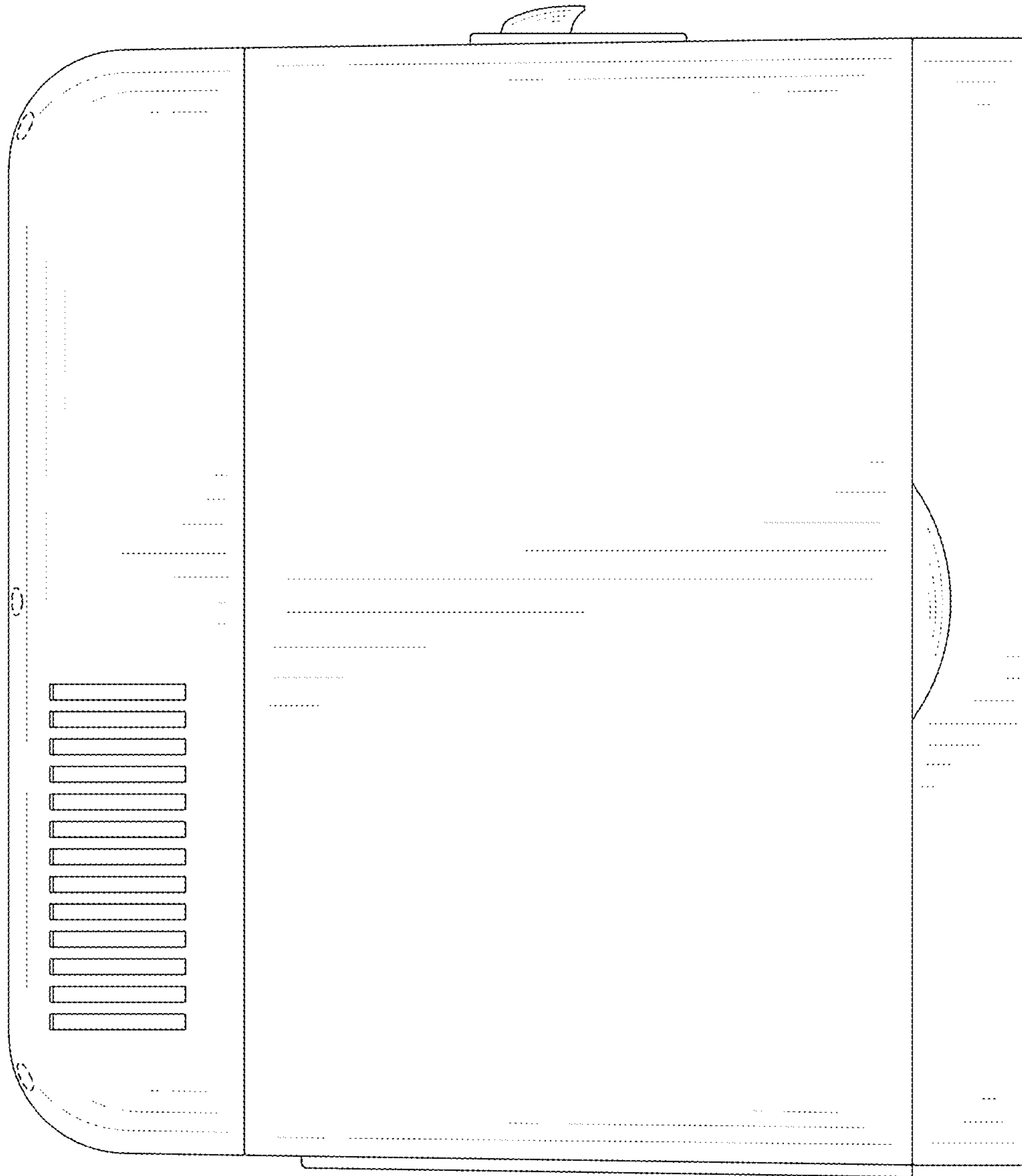


FIG. 6

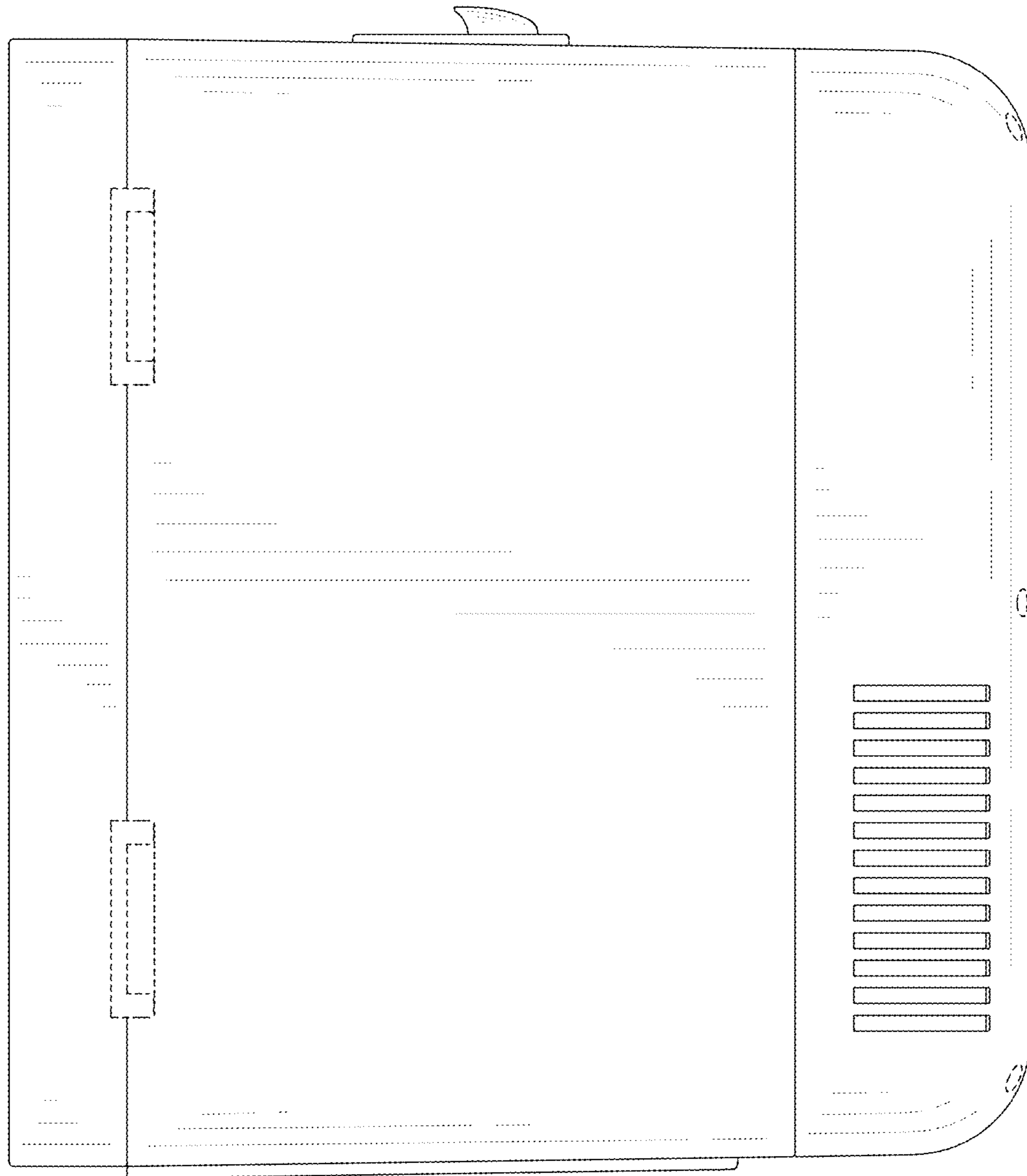


FIG. 7

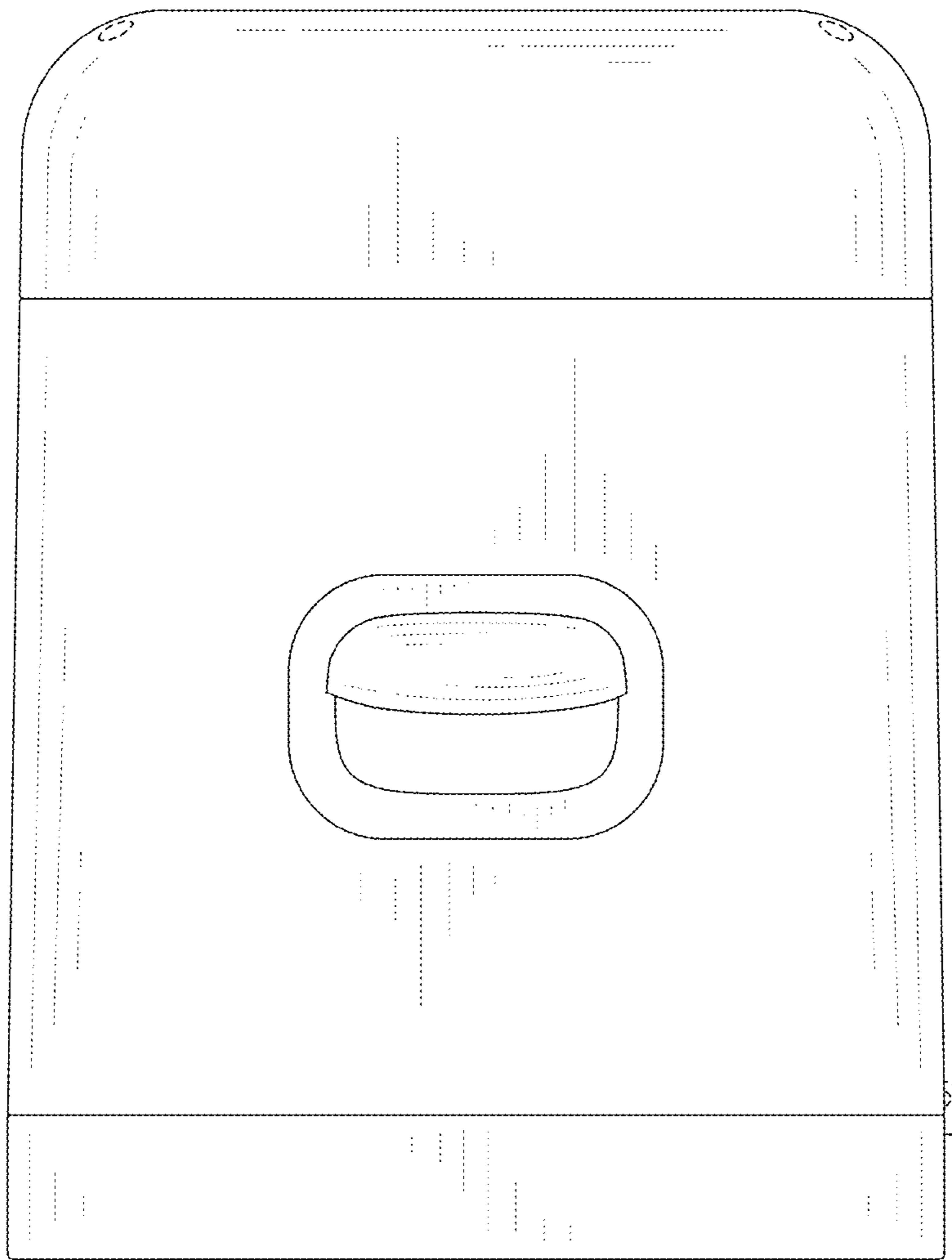


FIG. 8

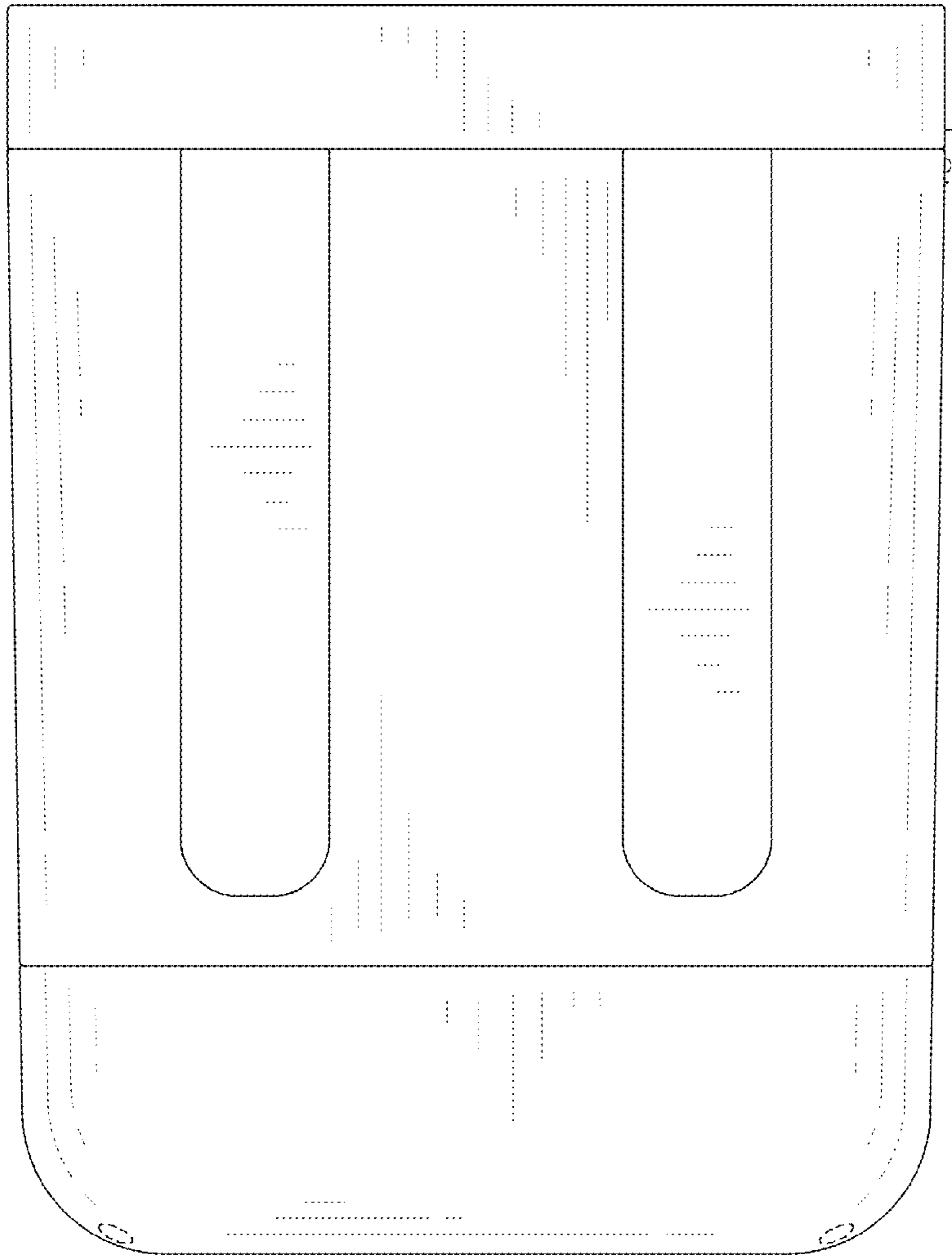


FIG. 9