



US00D898082S

(12) **United States Design Patent** (10) **Patent No.:** **US D898,082 S**
Niclot et al. (45) **Date of Patent:** **** Oct. 6, 2020**

(54) **FRONT COVER OF AN AGRICULTURAL WORK VEHICLE**

D785,053 S * 4/2017 Okuyama D15/31
D792,483 S * 7/2017 Jackson D15/28
D809,025 S * 1/2018 Okuyama D15/31

(71) Applicant: **CNH Industrial America LLC**, New Holland, PA (US)

* cited by examiner

(72) Inventors: **Giampiero Vietti Niclot**, Turin (IT); **Jakub Maria Sulikowski**, Modena (IT); **Stefano Fincato**, Turin (IT); **Simone Molesini**, Modena (IT)

Primary Examiner — Mark A Goodwin

(74) *Attorney, Agent, or Firm* — Rickard K. DeMille; Rebecca L. Henkel

(73) Assignee: **CNH Industrial America LLC**, New Holland, PA (US)

(57) **CLAIM**

(**) Term: **15 Years**

The ornamental design for a front cover of an agricultural work vehicle, substantially as shown and described.

(21) Appl. No.: **29/615,065**

(22) Filed: **Aug. 25, 2017**

DESCRIPTION

(51) **LOC (12) Cl.** **15-03**

(52) **U.S. Cl.**
USPC **D15/30**

(58) **Field of Classification Search**
USPC D15/28, 30, 31, 22-26; D34/37; 180/89.11, 89.12, 89.13, 89.19, 900
CPC .. B66C 13/54; E02F 9/16; E02F 9/163; E02F 9/06; B62D 33/0617; B62D 49/00-085; B62D 33/06-073; B60J 7/00; B60J 1/004; B60J 1/02; B60J 1/04; B60J 5/0487
See application file for complete search history.

FIG. 1 is a perspective view of a front cover of an agricultural work vehicle;
FIG. 2 is a perspective view thereof;
FIG. 3 is a front view thereof;
FIG. 4 is a back view thereof
FIG. 5 is a left side view thereof;
FIG. 6 is a right side view thereof;
FIG. 7 is a top view thereof; and,
FIG. 8 is a bottom view thereof.

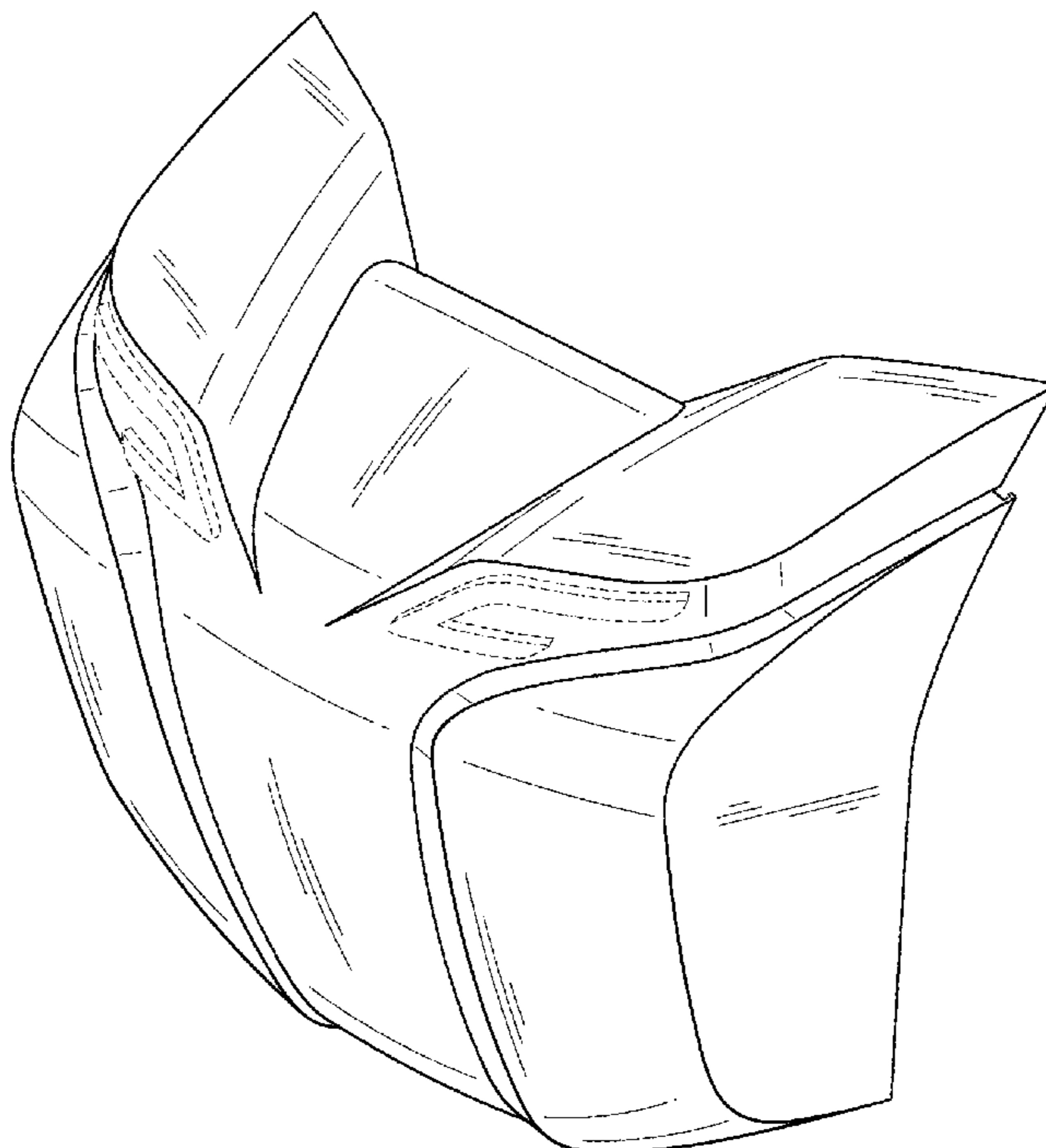
Phantom lines, where utilized, are for illustrative purposes only and form no part of the claimed design.

(56) **References Cited**

U.S. PATENT DOCUMENTS

D382,279 S * 8/1997 Goebert D15/17
D642,597 S * 8/2011 Krogh D15/31
D646,305 S * 10/2011 Krogh D15/31

1 Claim, 5 Drawing Sheets



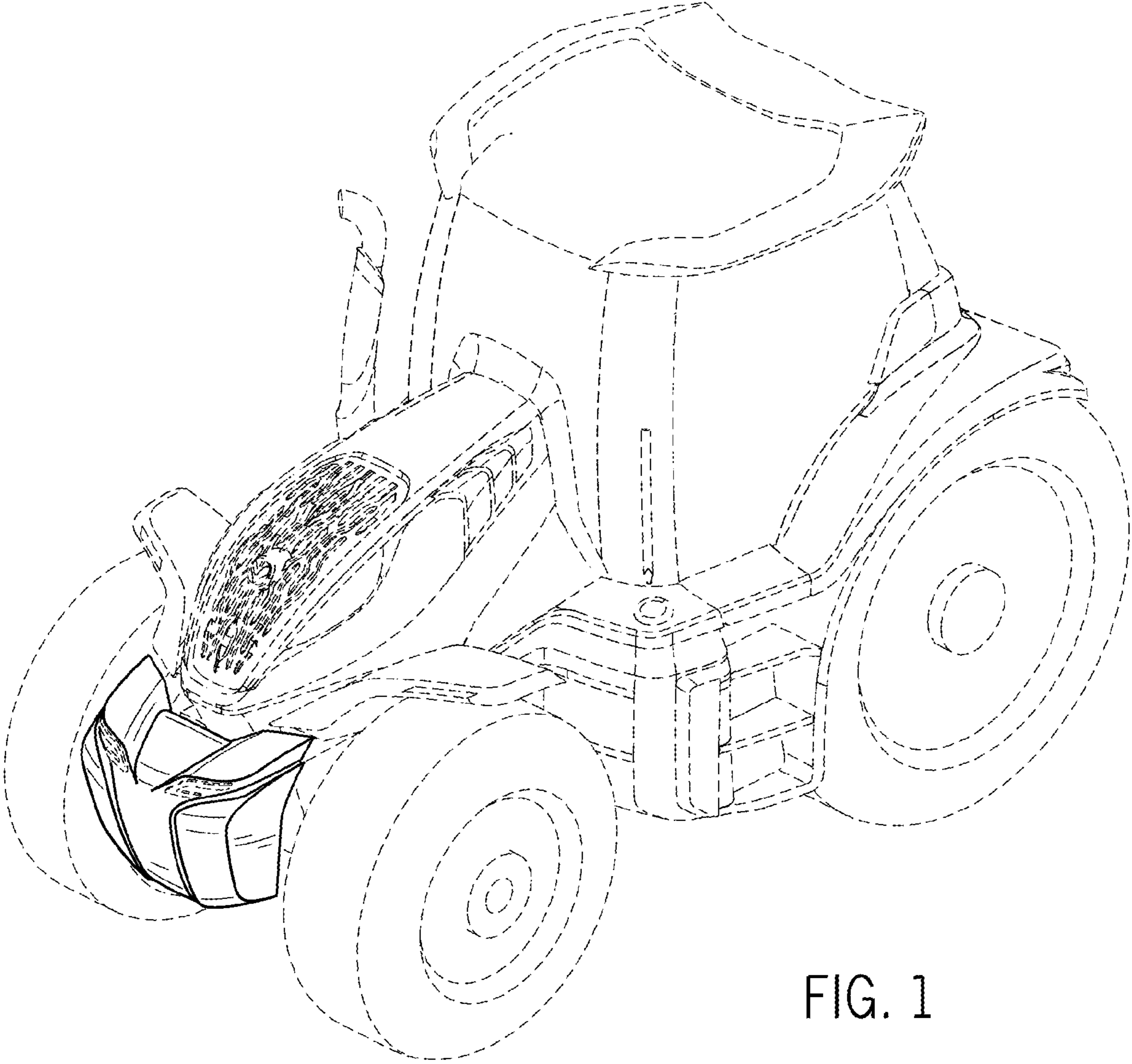


FIG. 1

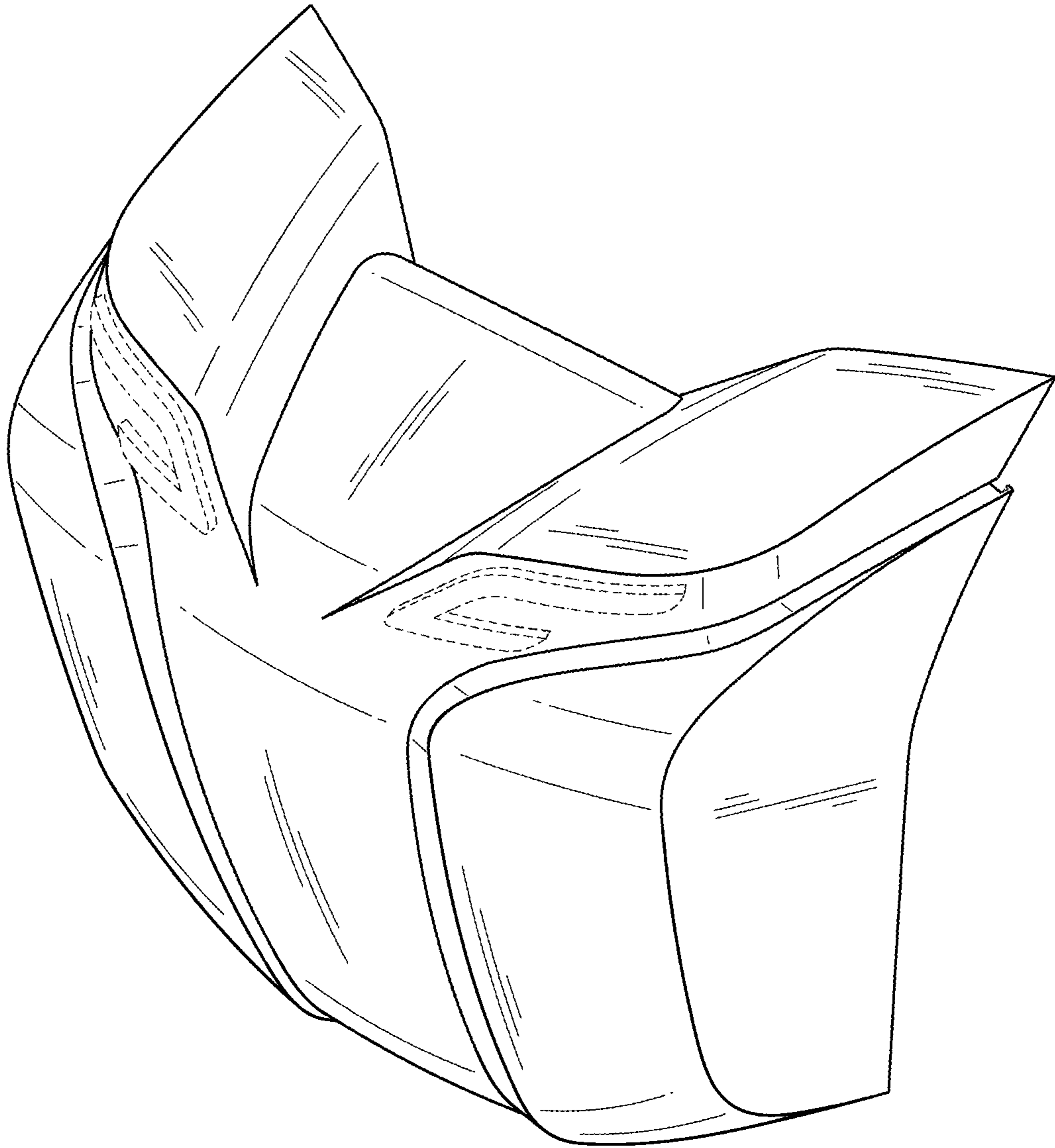


FIG. 2

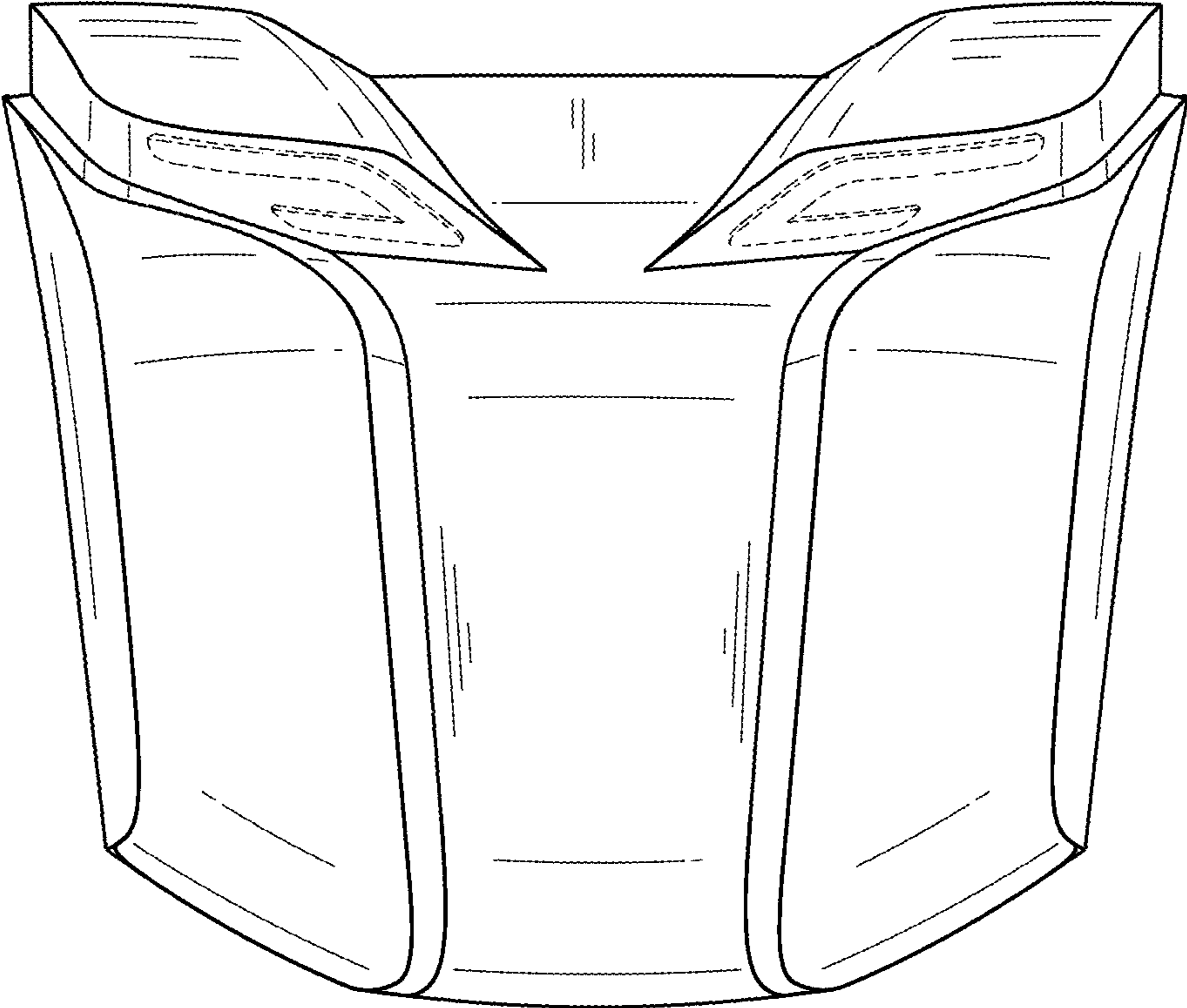


FIG. 3

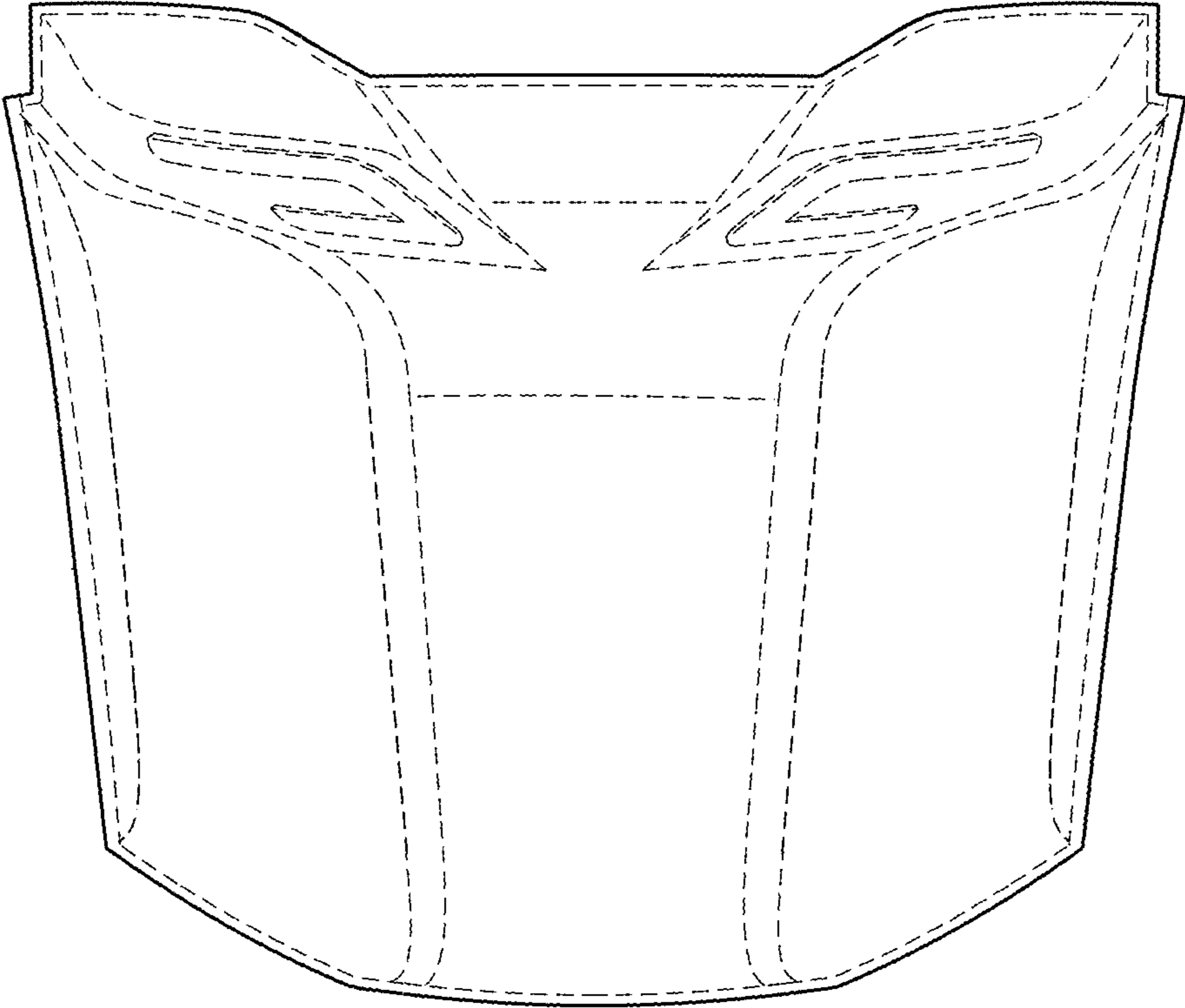


FIG. 4



FIG. 5

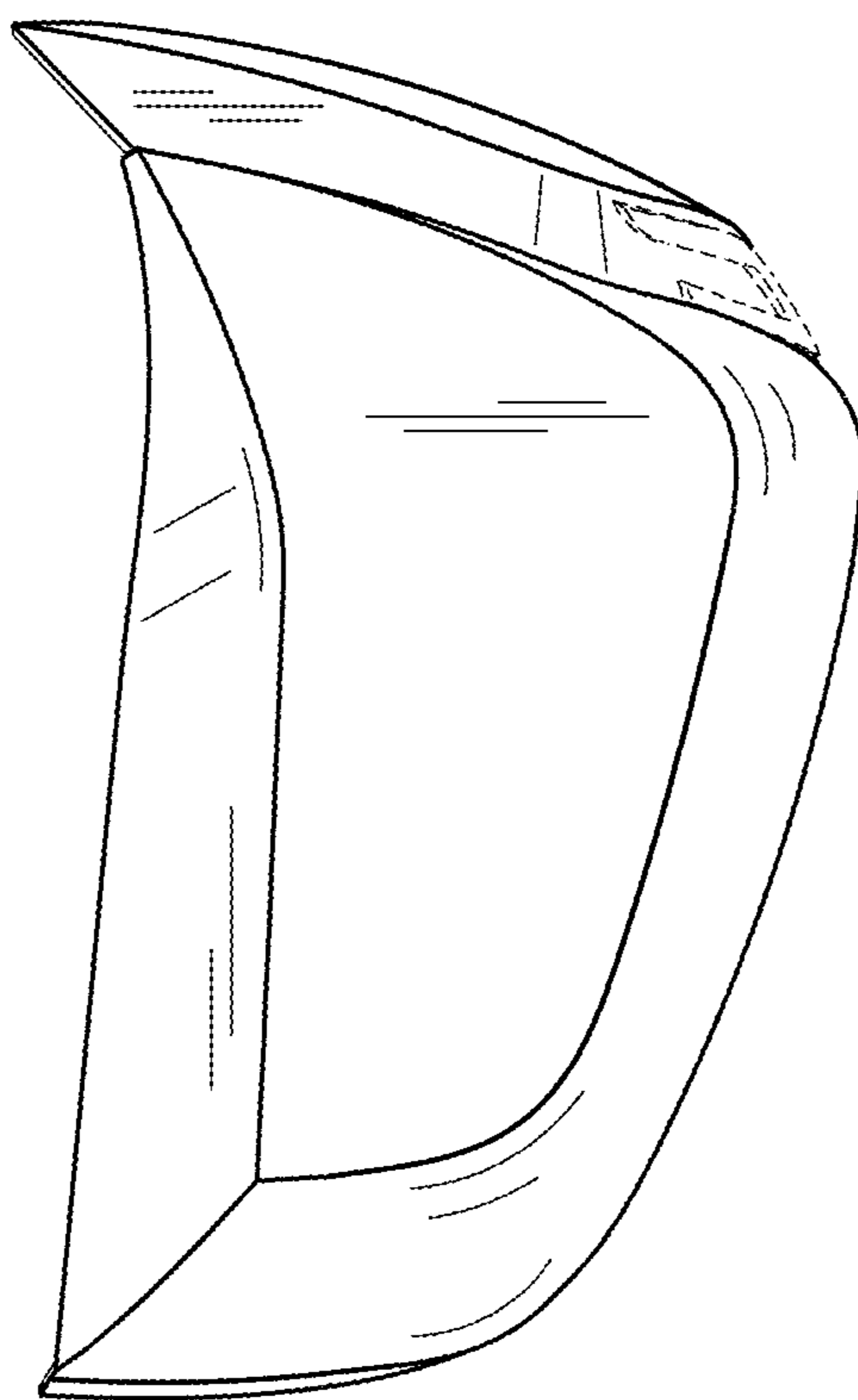


FIG. 6

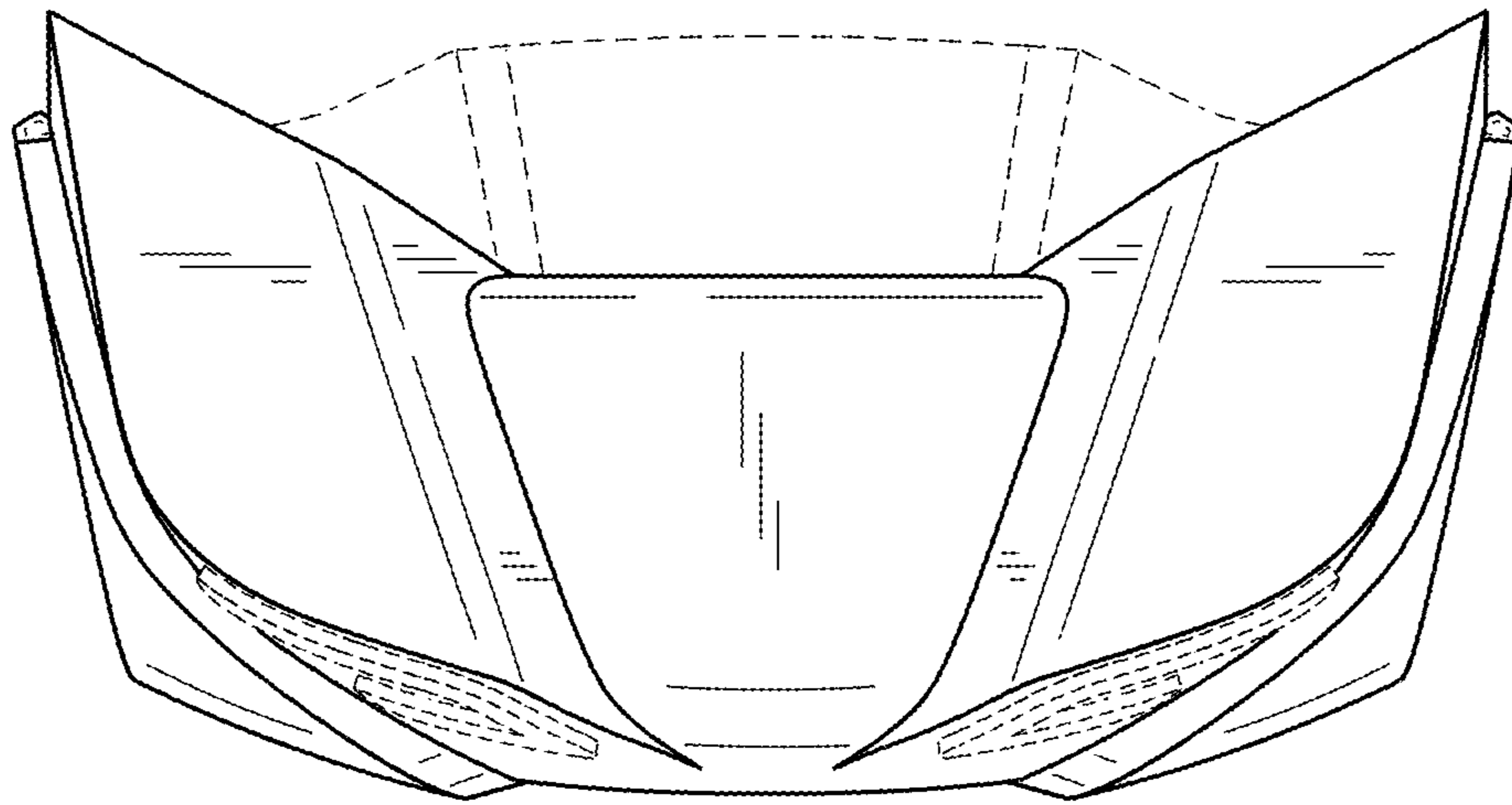


FIG. 7

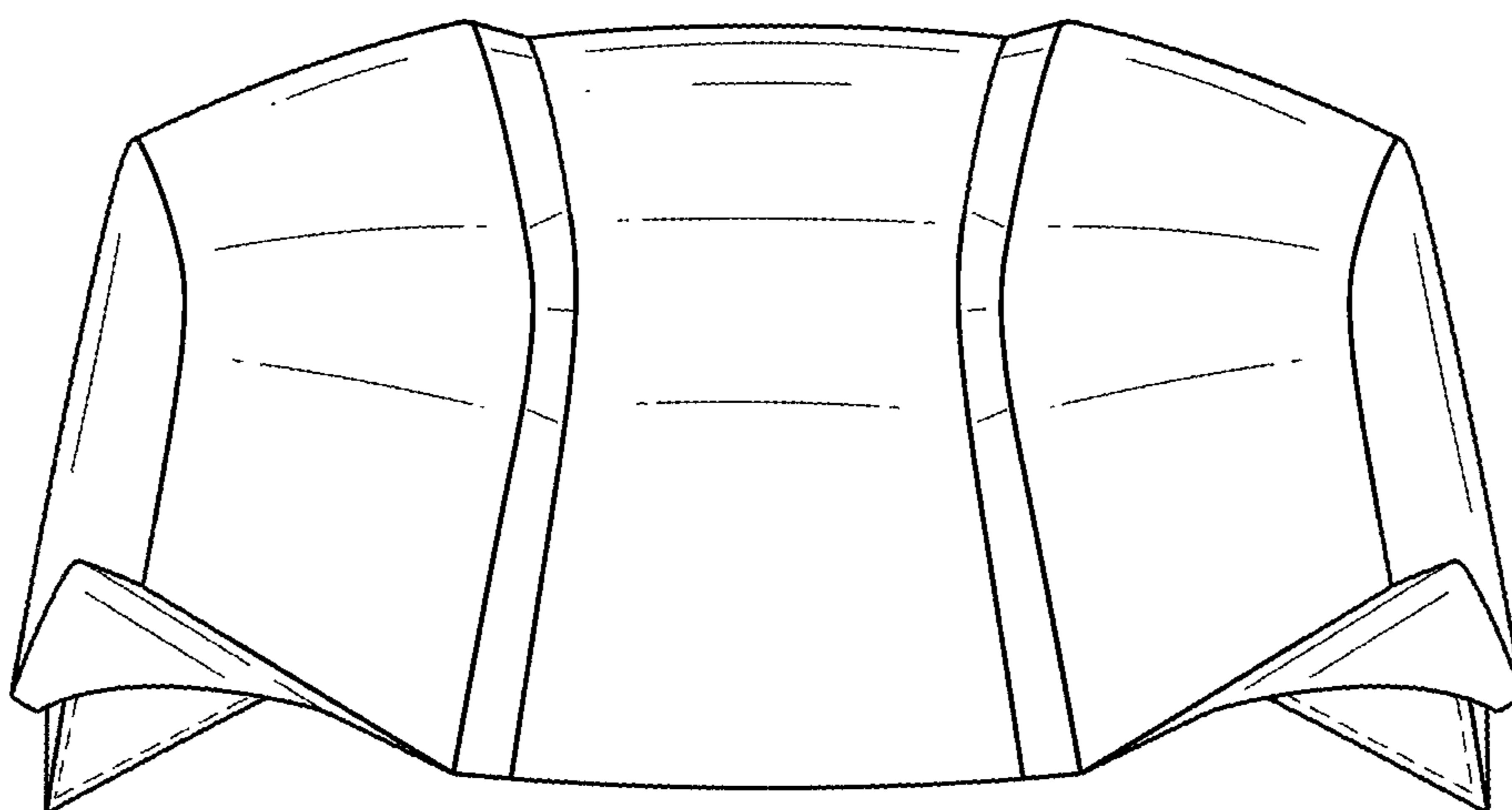


FIG. 8