

US00D898081S

(12) **United States Design Patent** (10) **Patent No.:** **US D898,081 S**
Solow (45) **Date of Patent:** **** Oct. 6, 2020**

(54) **SEALING BOOT**
(71) Applicant: **WOLO MFG. CORP.**, Deer Park, NY (US)
(72) Inventor: **Stanley Solow**, Plainview, NY (US)
(73) Assignee: **WOLO MFG. CORP.**, Deer Park, NY (US)
(**) Term: **15 Years**
(21) Appl. No.: **29/735,242**
(22) Filed: **May 19, 2020**

D646,227 S * 10/2011 Natoli D13/156
D646,230 S * 10/2011 Natoli D13/156
D659,102 S * 5/2012 Natoli D13/156
D659,103 S * 5/2012 Natoli D13/156
9,941,622 B1 * 4/2018 Campbell H01R 13/005
D888,104 S * 6/2020 Solow D15/9
2002/0108589 A1 * 8/2002 Drecq F02B 33/20
123/66
2005/0008476 A1 * 1/2005 Eleftheriou F01D 17/105
415/144
2005/0051972 A1 * 3/2005 Wang F16J 3/043
277/634
2005/0179216 A1 * 8/2005 Neviani F16J 3/042
277/634
2017/0104323 A1 * 4/2017 Vaccaro H02G 15/043
2019/0107230 A1 * 4/2019 Vaccaro H01R 13/5216
2020/0032854 A1 * 1/2020 Rood F16D 1/116

Related U.S. Application Data

(62) Division of application No. 29/662,551, filed on Sep. 6, 2018, now Pat. No. Des. 888,104.
(51) **LOC (12) Cl.** **15-02**
(52) **U.S. Cl.**
USPC **D15/9; D13/156**
(58) **Field of Classification Search**
USPC D13/133, 154, 156, 184, 199; D15/5, 9, D15/138, 146
CPC F01D 17/105; F02C 9/18; F04D 27/023; F04D 27/0215; F16D 3/845; F16D 2003/846; F16J 15/025; H02G 15/043
See application file for complete search history.

* cited by examiner

Primary Examiner — Patricia A Palasik
(74) *Attorney, Agent, or Firm* — Andrew F. Young, Esq.; Lackenbach Siegel, LLP

(57) **CLAIM**

The ornamental design for a sealing boot, as shown and described.

DESCRIPTION

FIG. 1 is a front top perspective view of a sealing boot. FIG. 2 is a front elevation view of FIG. 1. FIG. 3 is a rear elevation view of FIG. 1. FIG. 4 is a left side view of FIG. 1. FIG. 5 is a right side view of FIG. 1. FIG. 6 is a top plan view of FIG. 1; and, FIG. 7 is a bottom plan view of FIG. 1.

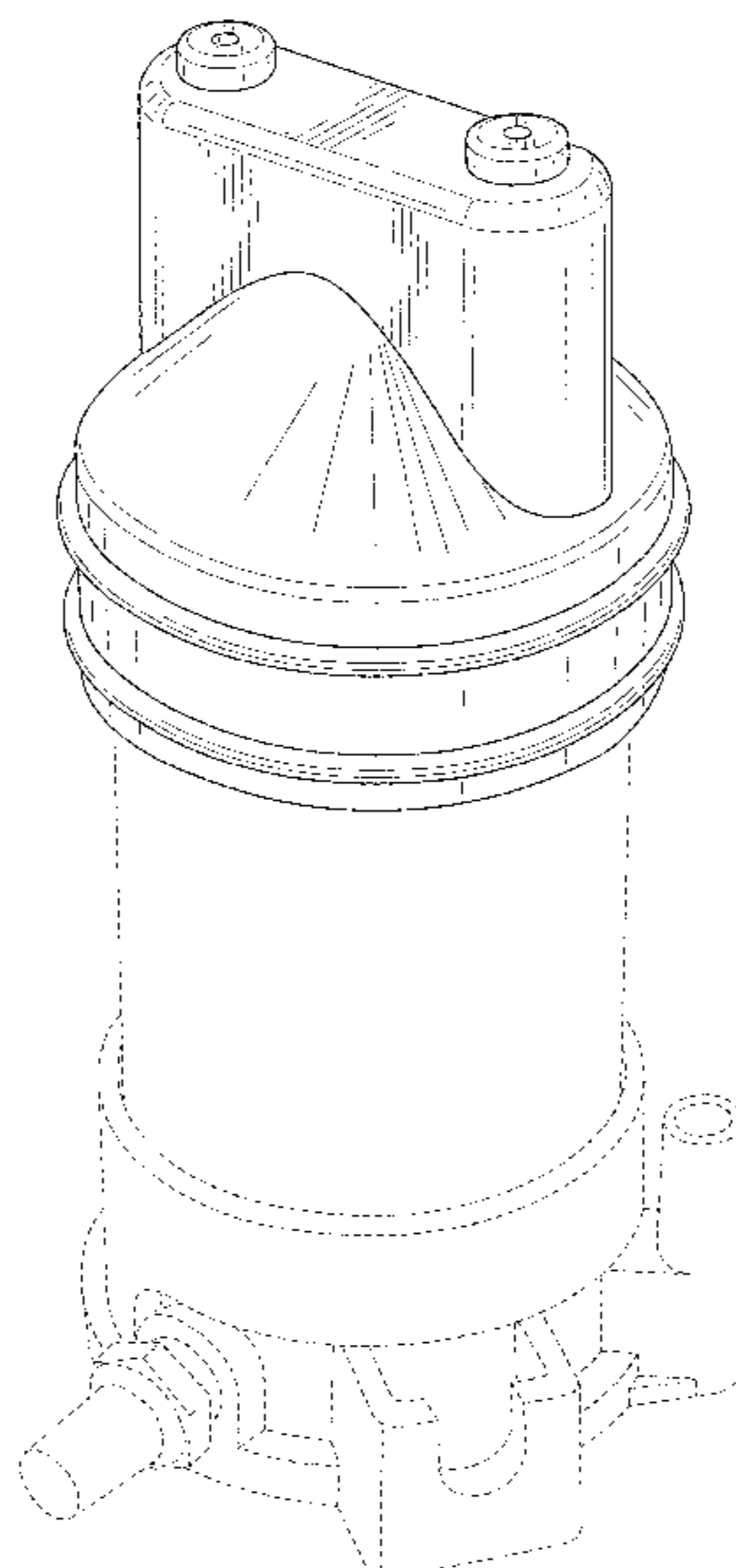
The invention is a sealing boot for a compressor. No claim is made to portions which are not shown. The dash-dash lines indicate disclaimed environmental subject matter to which no claim is made. The surfaces are lined for contour.

(56) **References Cited**

U.S. PATENT DOCUMENTS

2,749,757 A * 6/1956 Adelt F16J 15/52
403/50
3,790,734 A * 2/1974 Raab H01H 13/06
200/302.2
4,516,959 A * 5/1985 Krude F16D 3/2237
277/636
5,503,438 A * 4/1996 Swauger F16L 19/0218
285/332.2

1 Claim, 7 Drawing Sheets



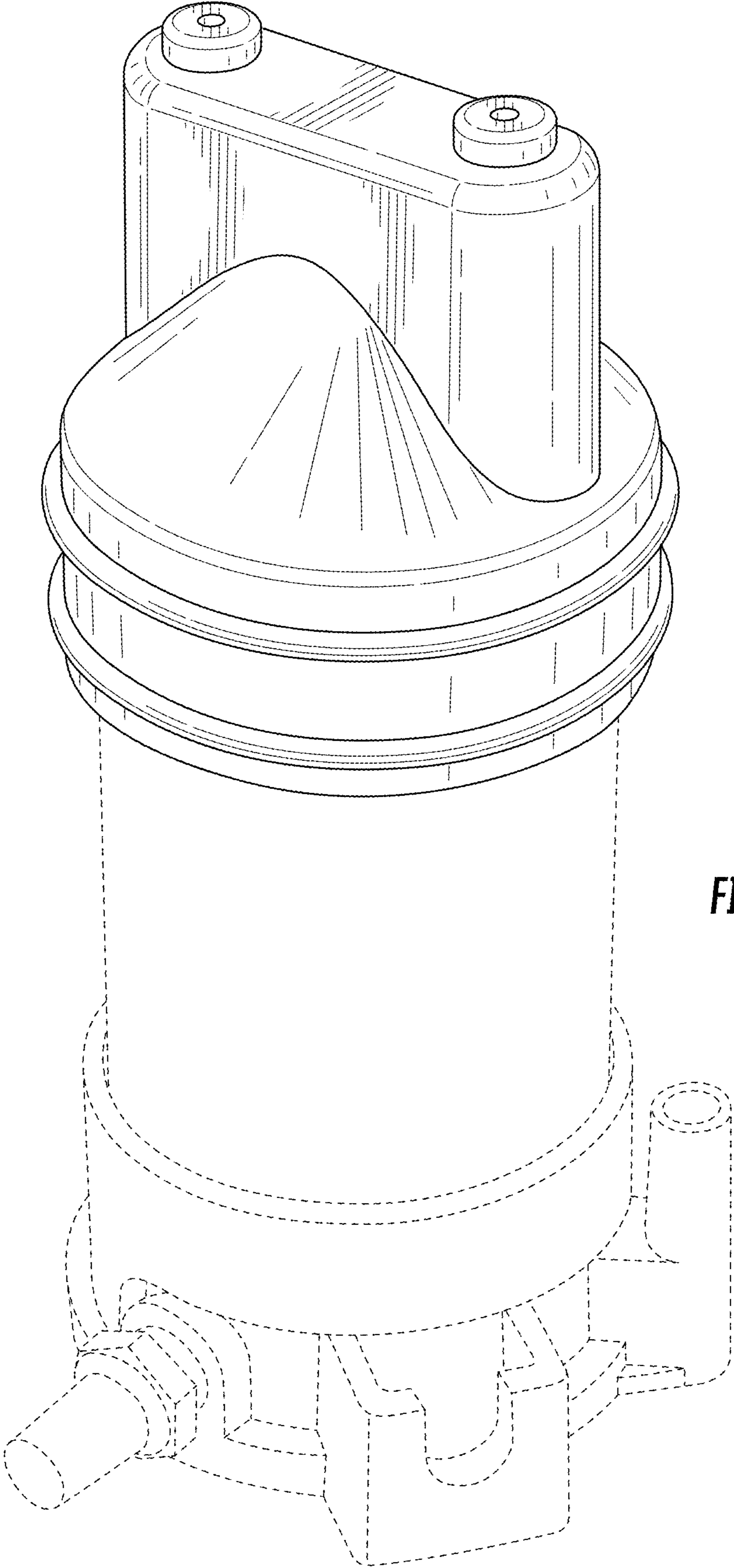


FIG. 1

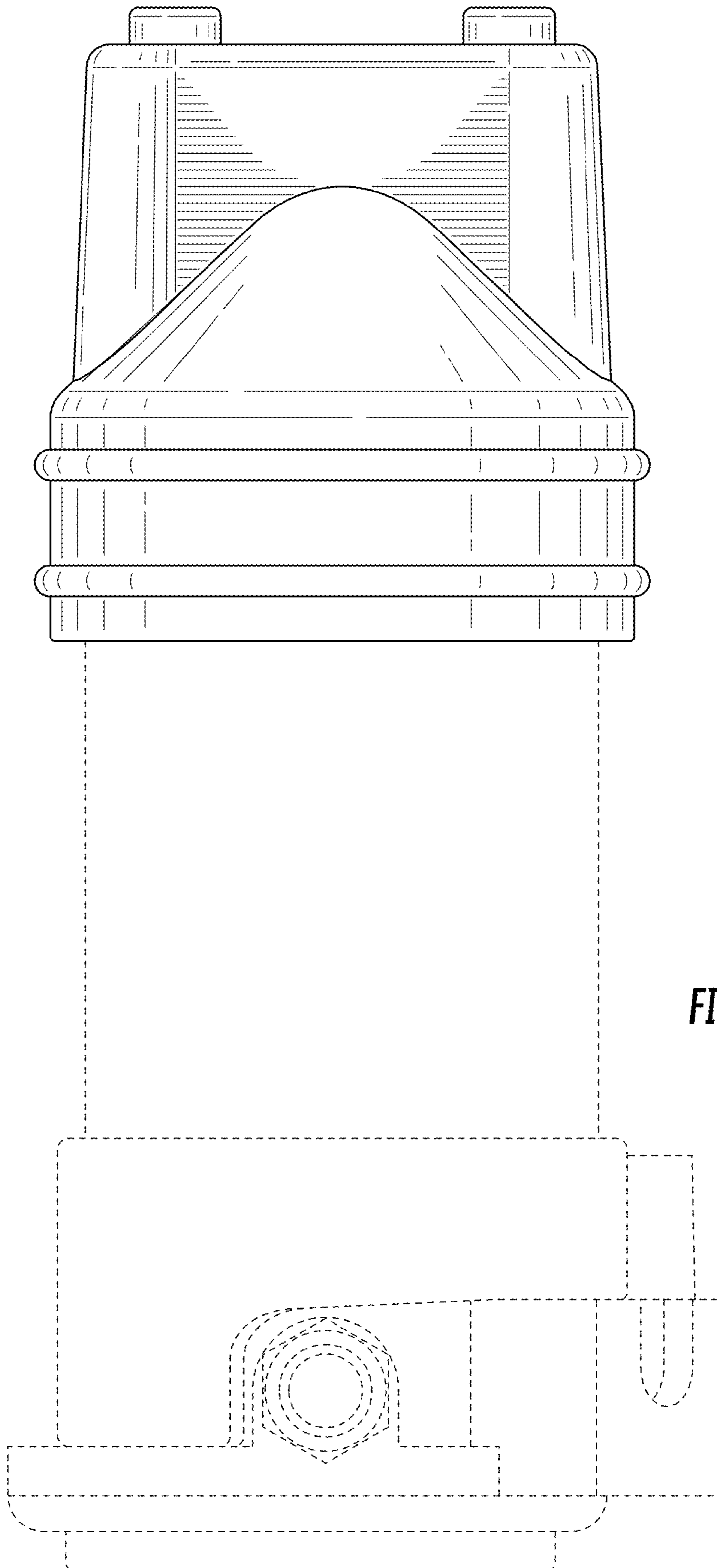


FIG. 2

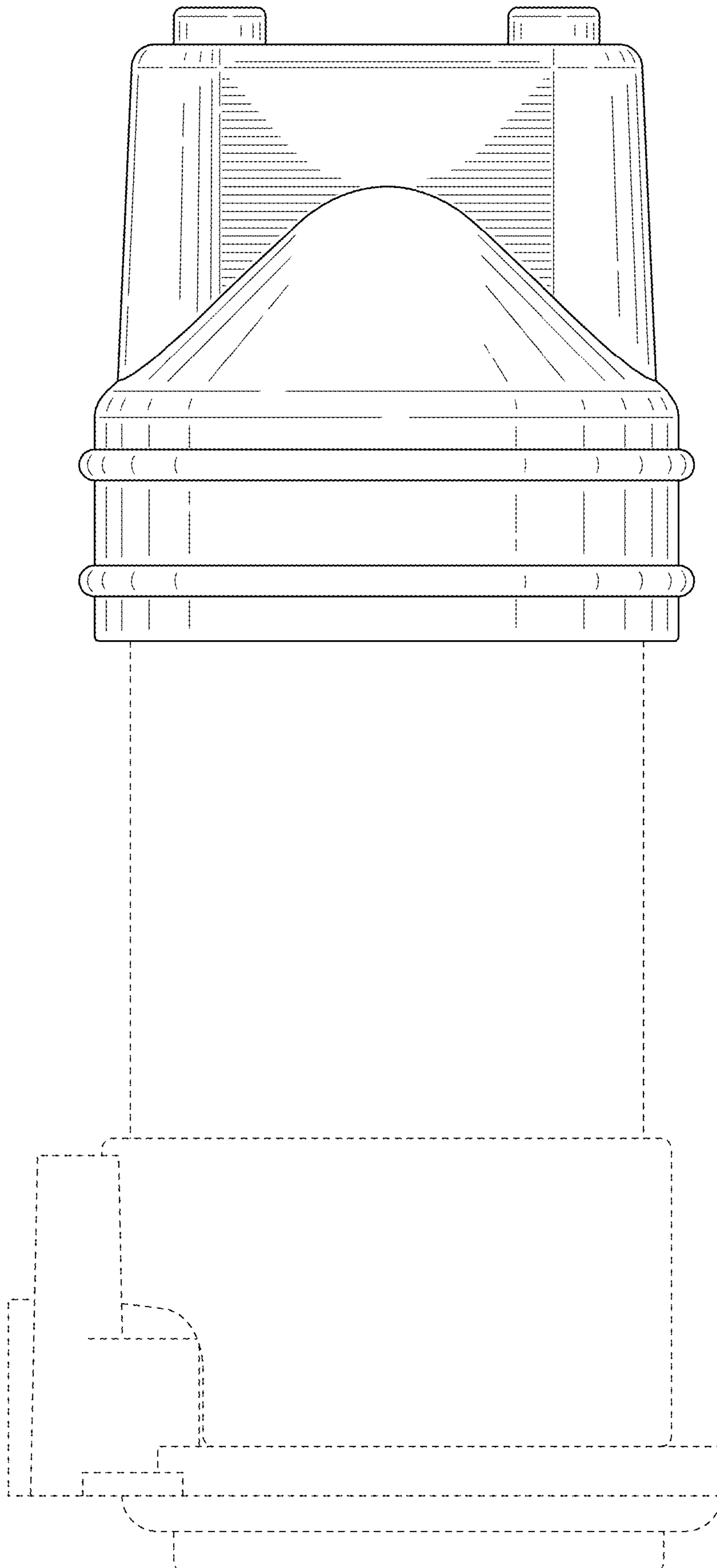


FIG. 3

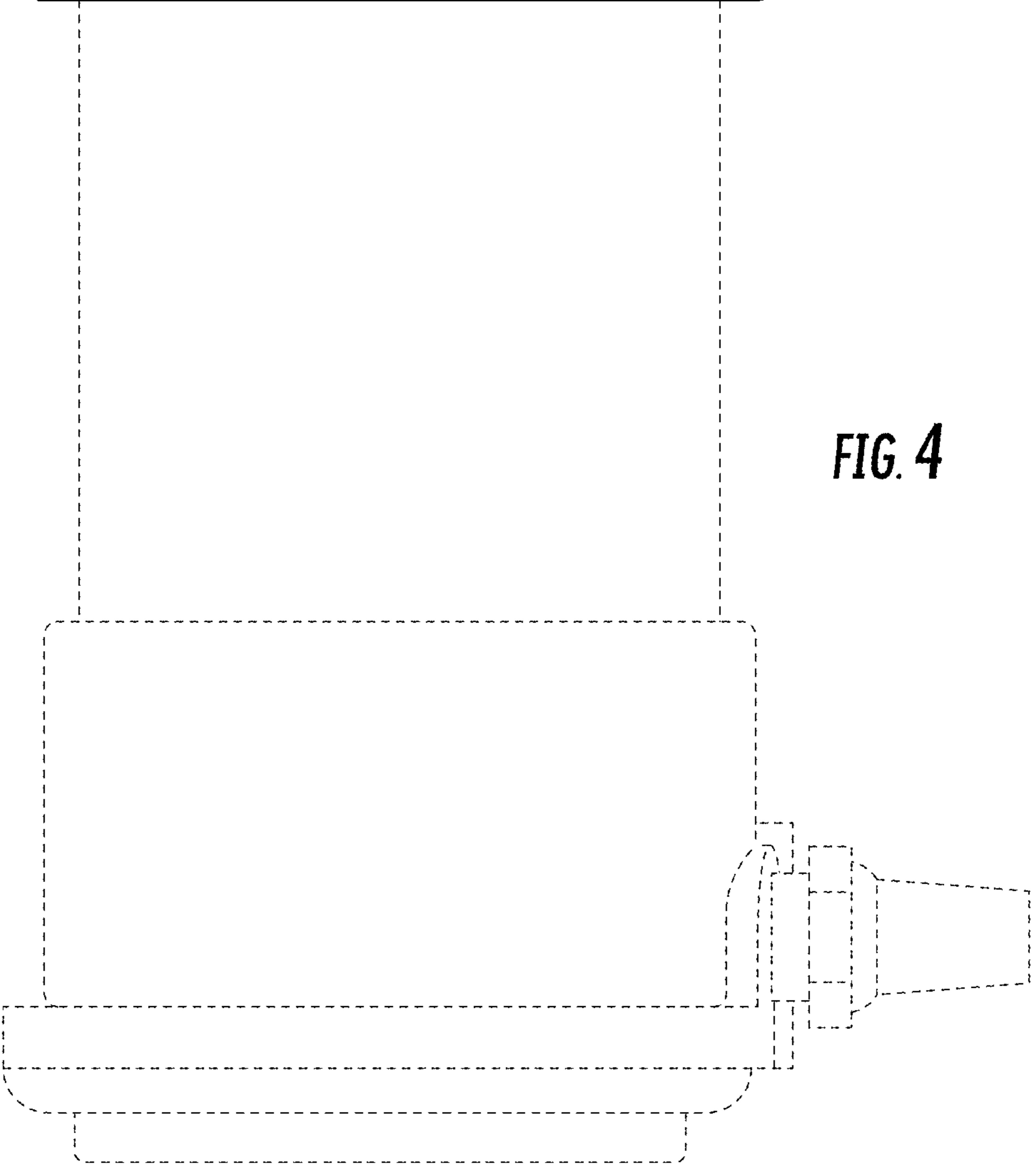
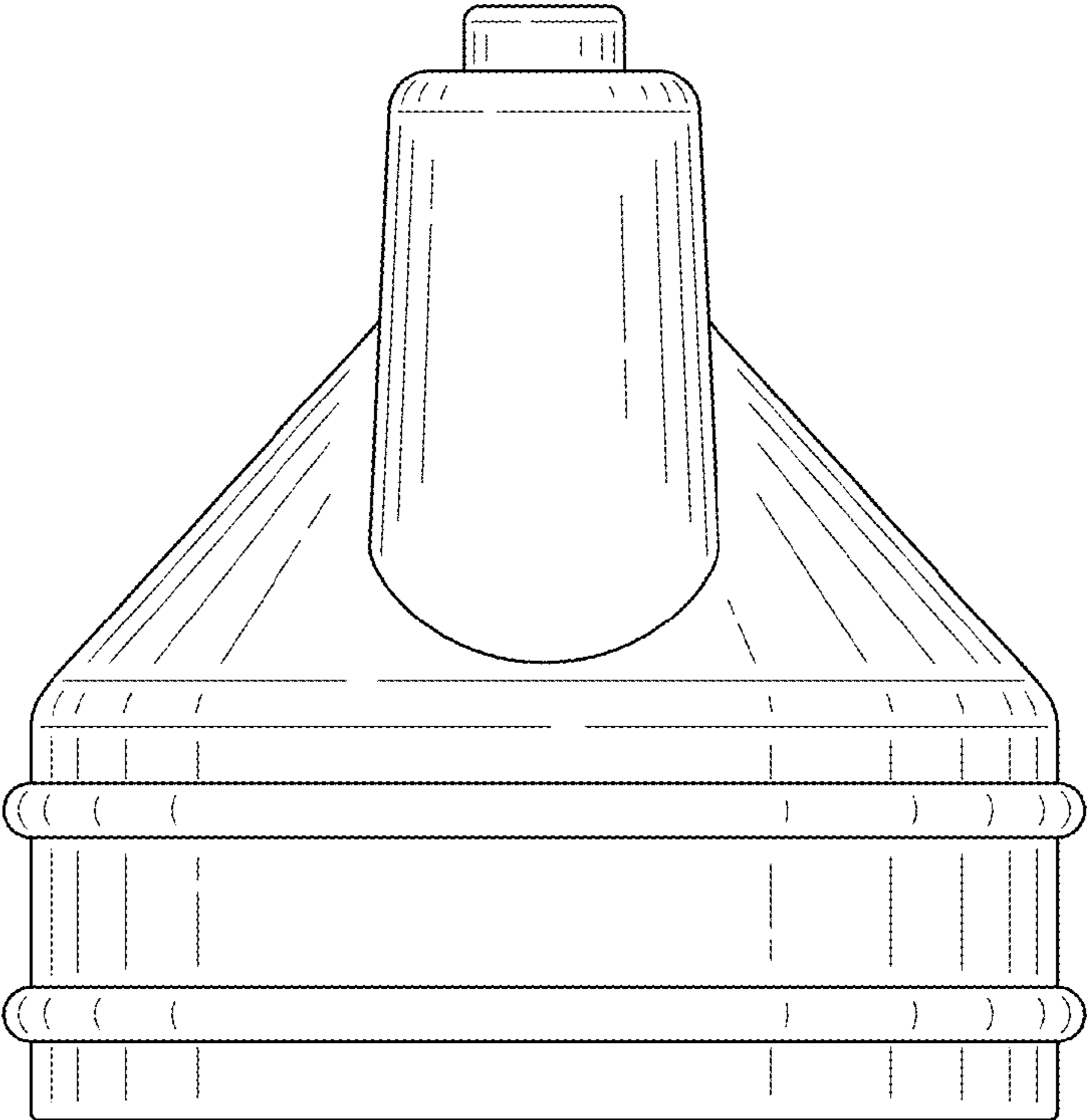


FIG. 4

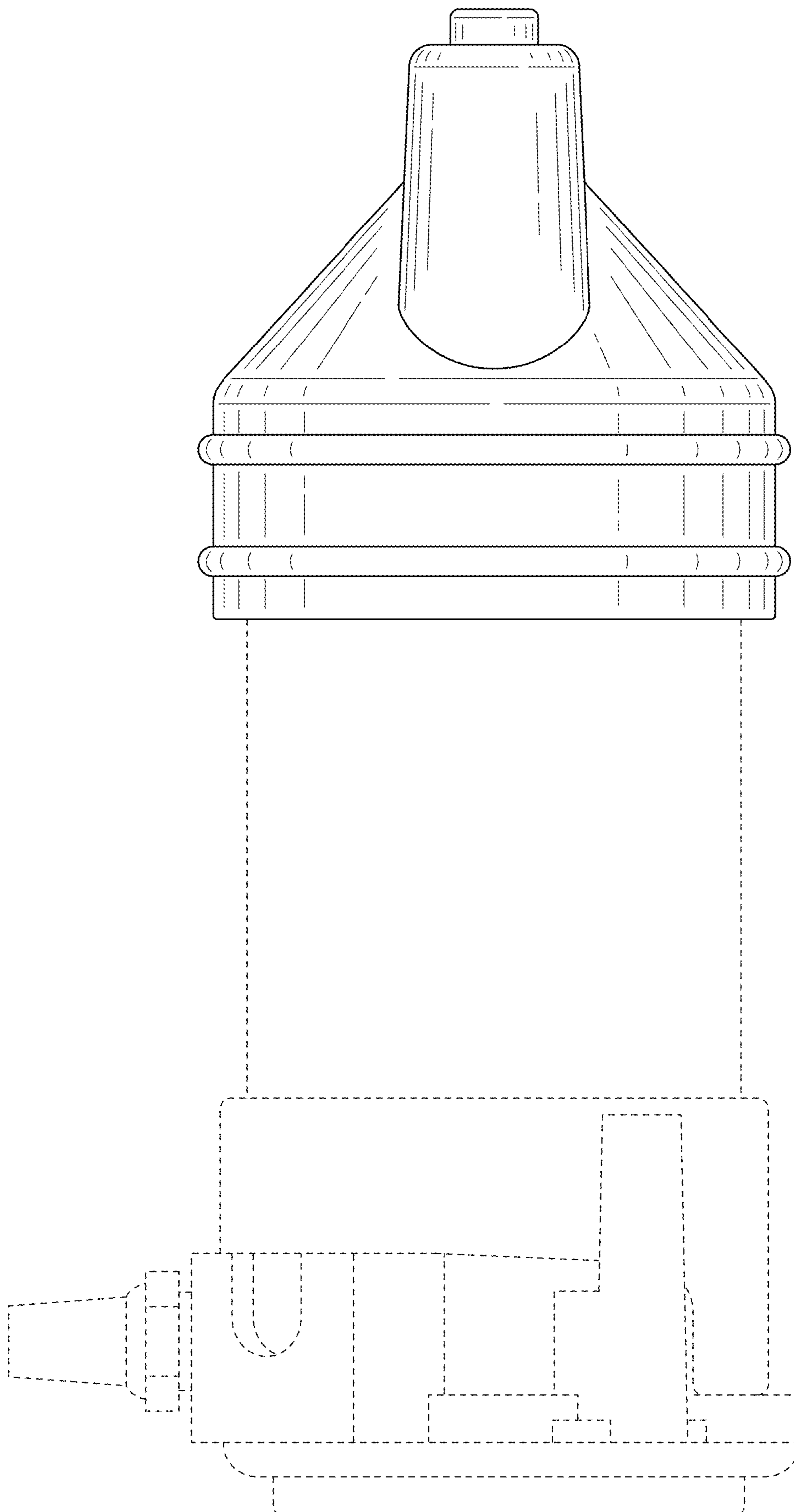


FIG. 5

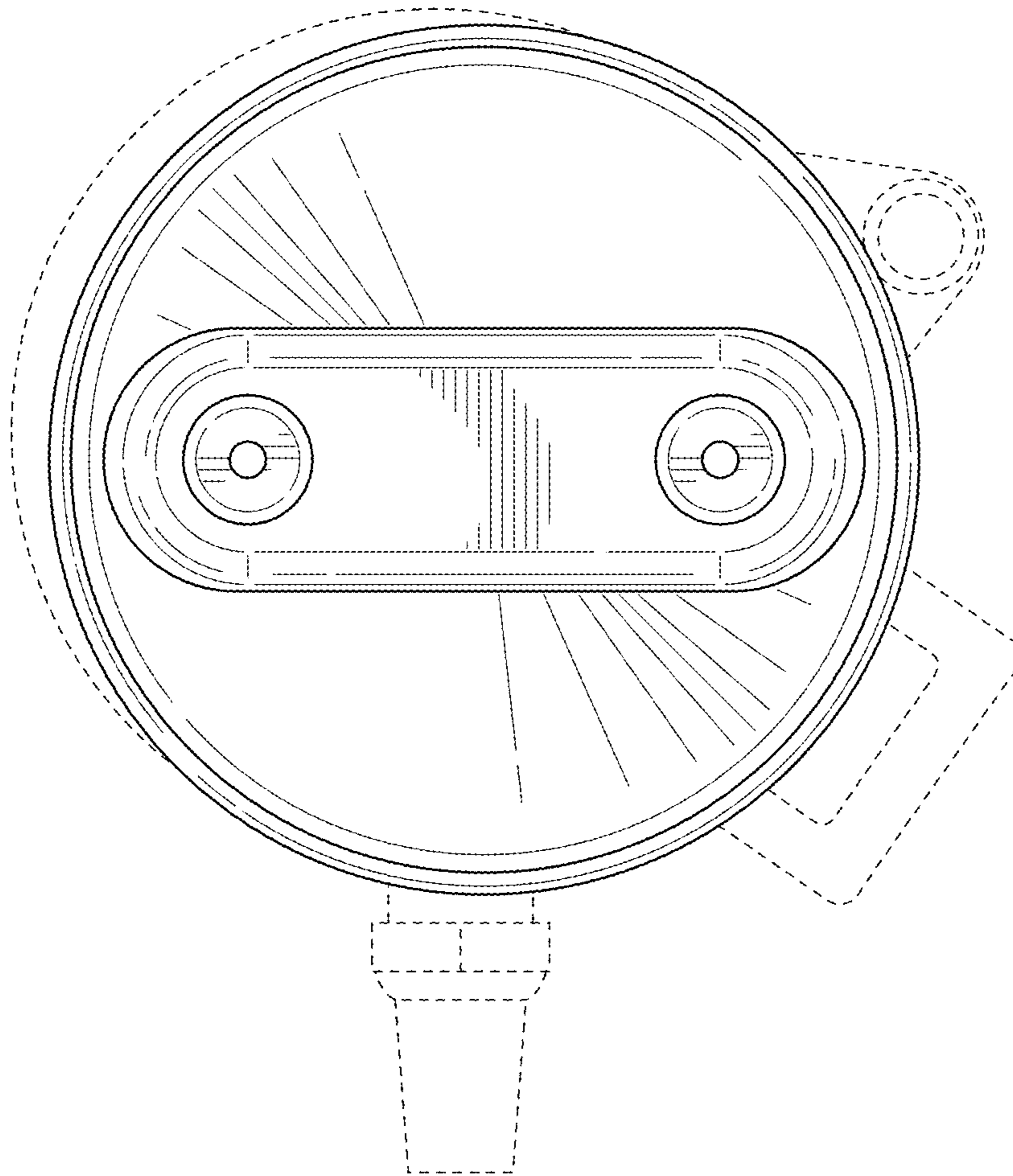


FIG. 6

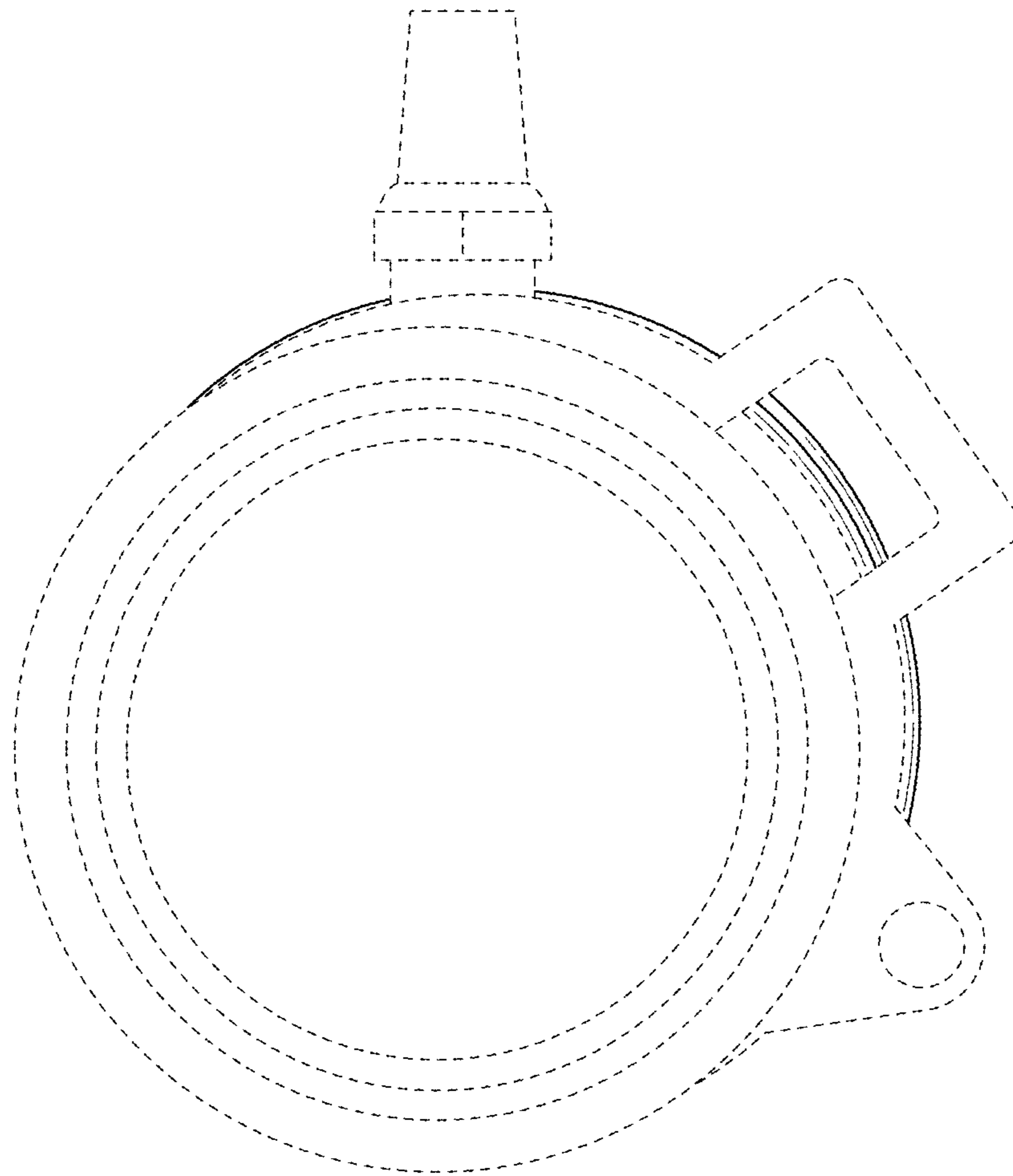


FIG. 7