



US00D898080S

(12) **United States Design Patent** (10) **Patent No.:** **US D898,080 S**
Inskeep et al. (45) **Date of Patent:** **** *Oct. 6, 2020**

(54) **INFLATOR**
(71) Applicant: **Vector Products, Inc.**, Boca Raton, FL (US)
(72) Inventors: **Mathew Inskeep**, Highland Beach, FL (US); **Ling To Shum**, Boca Raton, FL (US)
(73) Assignee: **VECTOR PRODUCTS, INC.**, Boca Raton, FL (US)
(*) Notice: This patent is subject to a terminal disclaimer.
(**) Term: **15 Years**

(21) Appl. No.: **29/674,230**
(22) Filed: **Dec. 20, 2018**
(51) **LOC (12) Cl.** **15-02**
(52) **U.S. Cl.**
USPC **D15/7**
(58) **Field of Classification Search**
USPC D15/7-9; D23/231, 232, 225
CPC F04B 53/92; F04B 1/005; F04D 13/06;
F04D 29/22; F04D 29/046; F04D
29/2266
See application file for complete search history.

(56) **References Cited**
U.S. PATENT DOCUMENTS
D248,396 S * 7/1978 Sendak D15/7
D266,091 S * 9/1982 Richards 417/234
D336,090 S * 6/1993 Lacorazza D15/7
D348,677 S * 7/1994 Phillips D15/7
D358,397 S * 5/1995 Phillips D15/7
D400,892 S * 11/1998 Williams D15/9
D405,097 S * 2/1999 Wong D15/7
D415,500 S * 10/1999 Poon D15/7
D421,756 S * 3/2000 Bonzer D15/7

D423,519 S * 4/2000 Bonzer D15/9
D451,521 S * 12/2001 Poon D15/7
D464,976 S * 10/2002 Krieger D15/9
D467,593 S * 12/2002 Williams D15/7
D467,941 S * 12/2002 Duncan D15/7
D467,942 S * 12/2002 Duncan D15/7
D470,863 S * 2/2003 Williams D15/7
D487,899 S * 3/2004 Poon D15/7
D510,939 S * 10/2005 Nikolayev D15/9
D550,717 S * 9/2007 Saunders D15/7
D556,215 S * 11/2007 Saunders D15/7
D556,216 S * 11/2007 Saunders D15/7
D556,217 S * 11/2007 Saunders D15/7
D556,781 S * 12/2007 Saunders D15/7
D558,795 S * 1/2008 Saunders D15/7
D559,866 S * 1/2008 Saunders D15/7
D694,268 S * 11/2013 Ohm D15/7
D771,718 S * 11/2016 Liao D15/7
D805,108 S * 12/2017 Zhang D15/7
D805,109 S * 12/2017 Exley D15/7

(Continued)

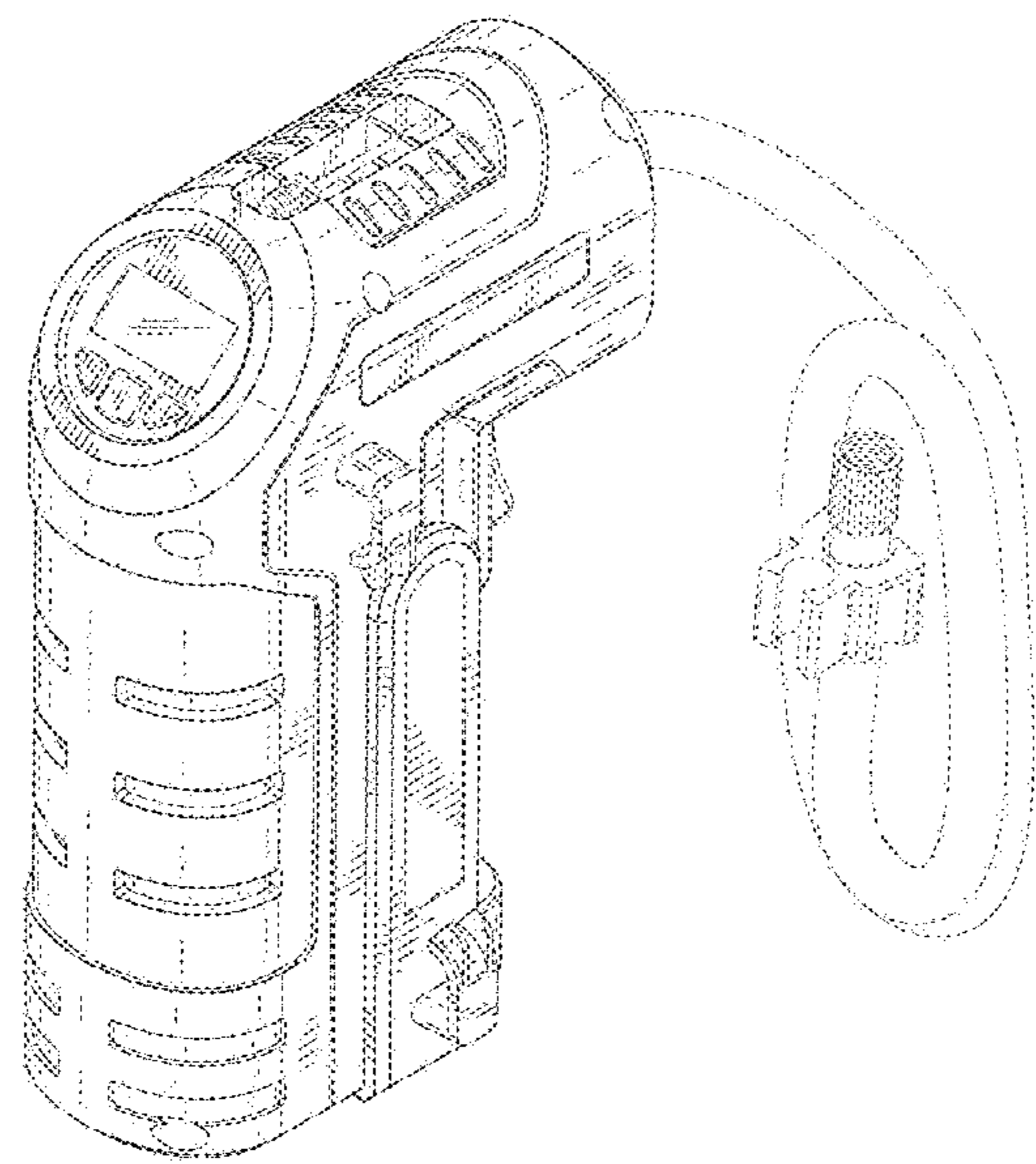
Primary Examiner — Mitchell I. Siegel
(74) Attorney, Agent, or Firm — Daniel S. Polley, P.A.

(57) **CLAIM**
The ornamental design for an inflator, as shown and described.

DESCRIPTION

FIG. 1 is a top perspective view of the inflator showing my new design.
FIG. 2 is a bottom perspective view thereof.
FIG. 3 is a top view thereof.
FIG. 4 is a bottom view thereof.
FIG. 5 is a left side view thereof.
FIG. 6 is a right side view thereof.
FIG. 7 is a front view thereof; and,
FIG. 8 is a back view thereof.
The broken lines shown is included for the purpose of illustrating unclaimed subject matter and forms no part of the claimed design.

1 Claim, 8 Drawing Sheets



(56)

References Cited

U.S. PATENT DOCUMENTS

D817,364 S * 5/2018 He D15/7
D838,746 S * 1/2019 Gan D15/7

* cited by examiner

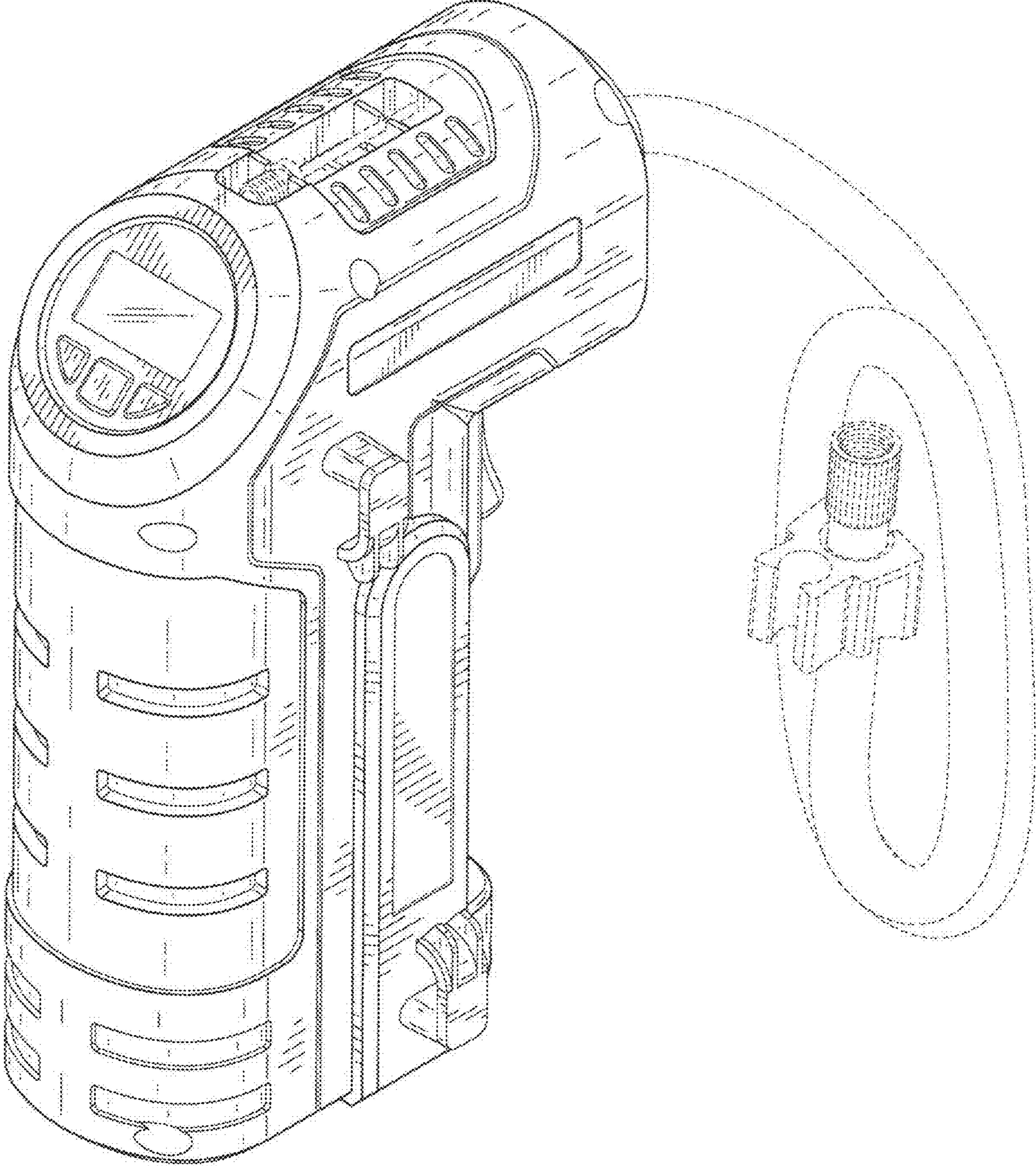


FIG. 1

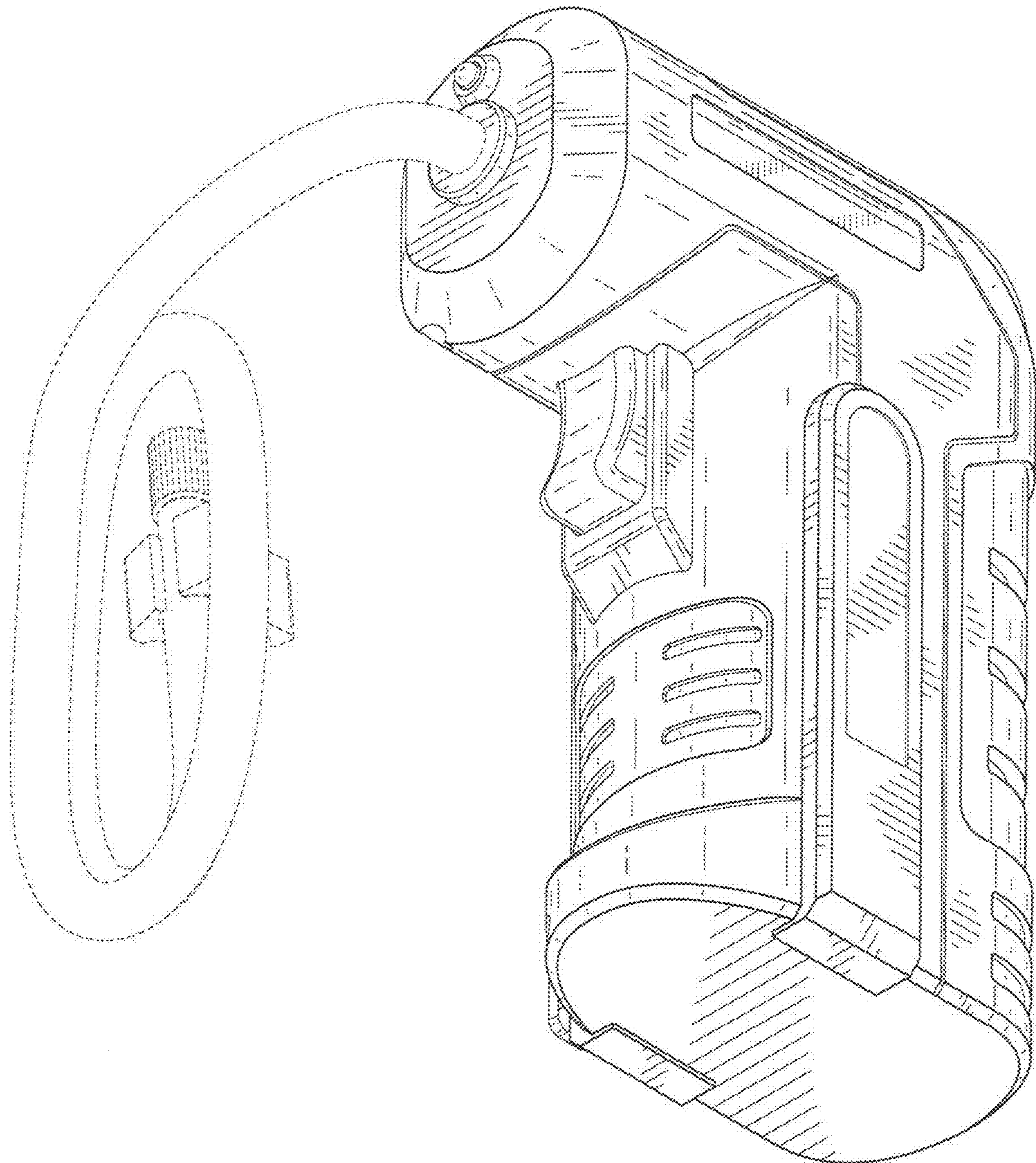


FIG. 2

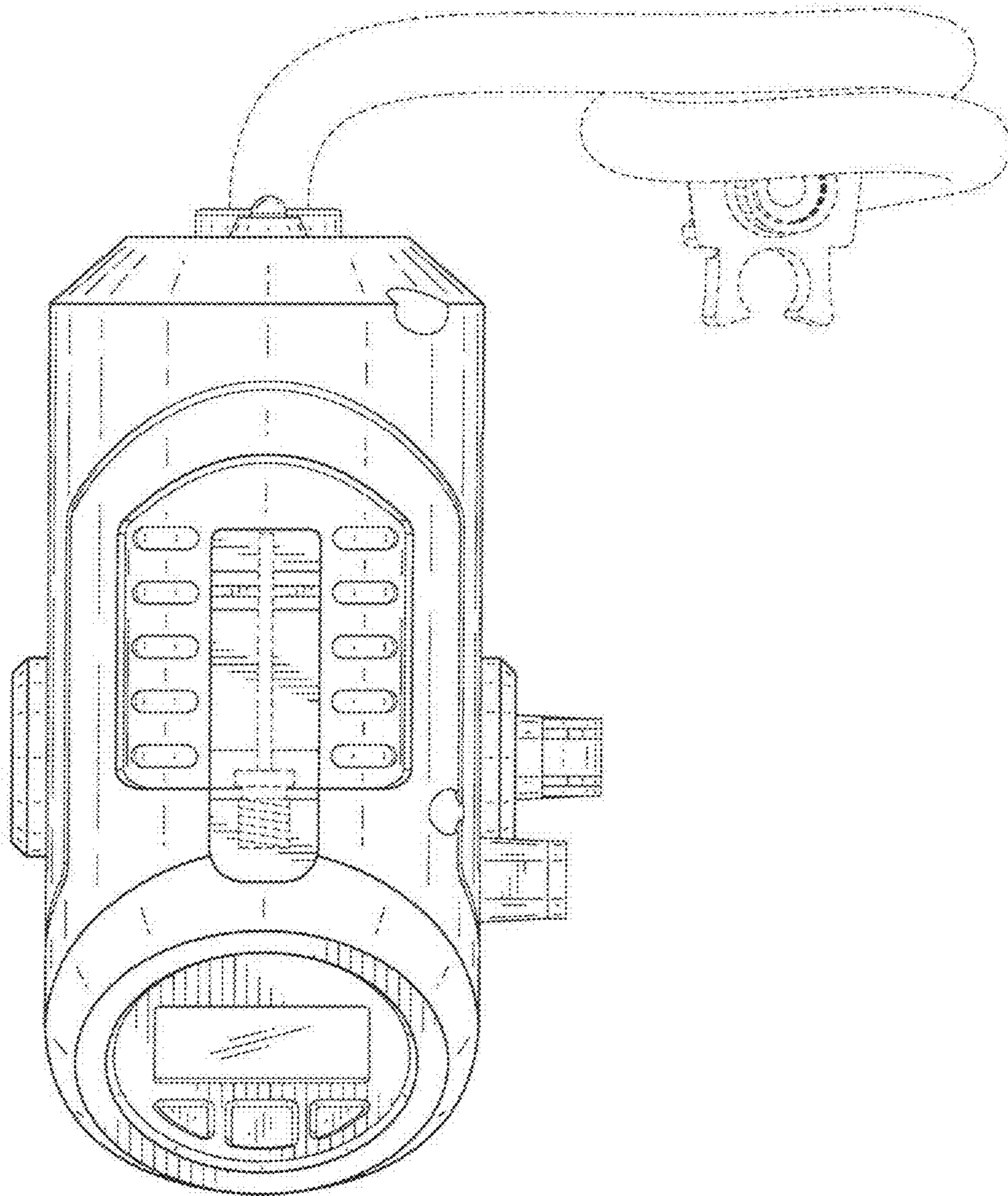


FIG. 3

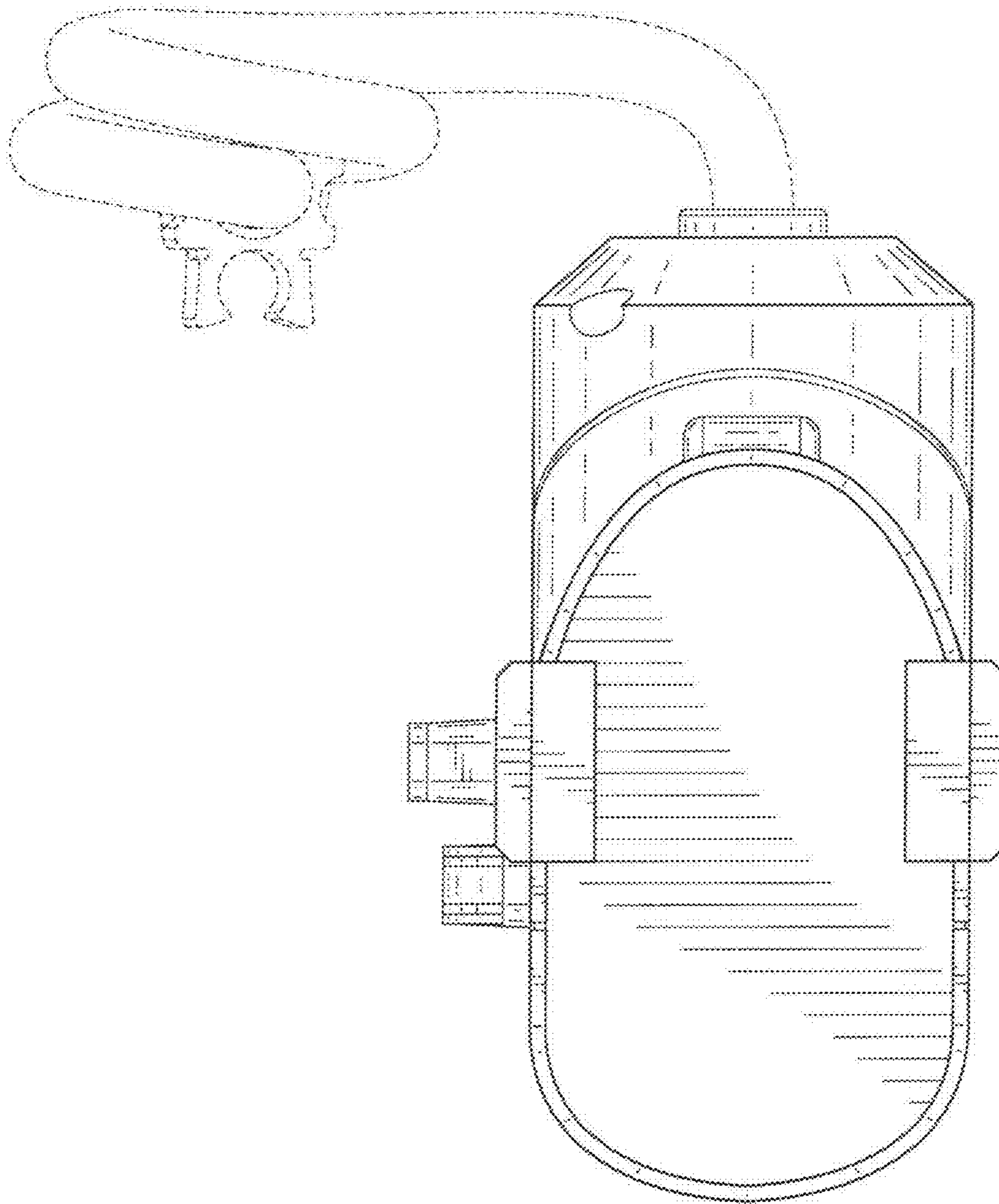


FIG. 4

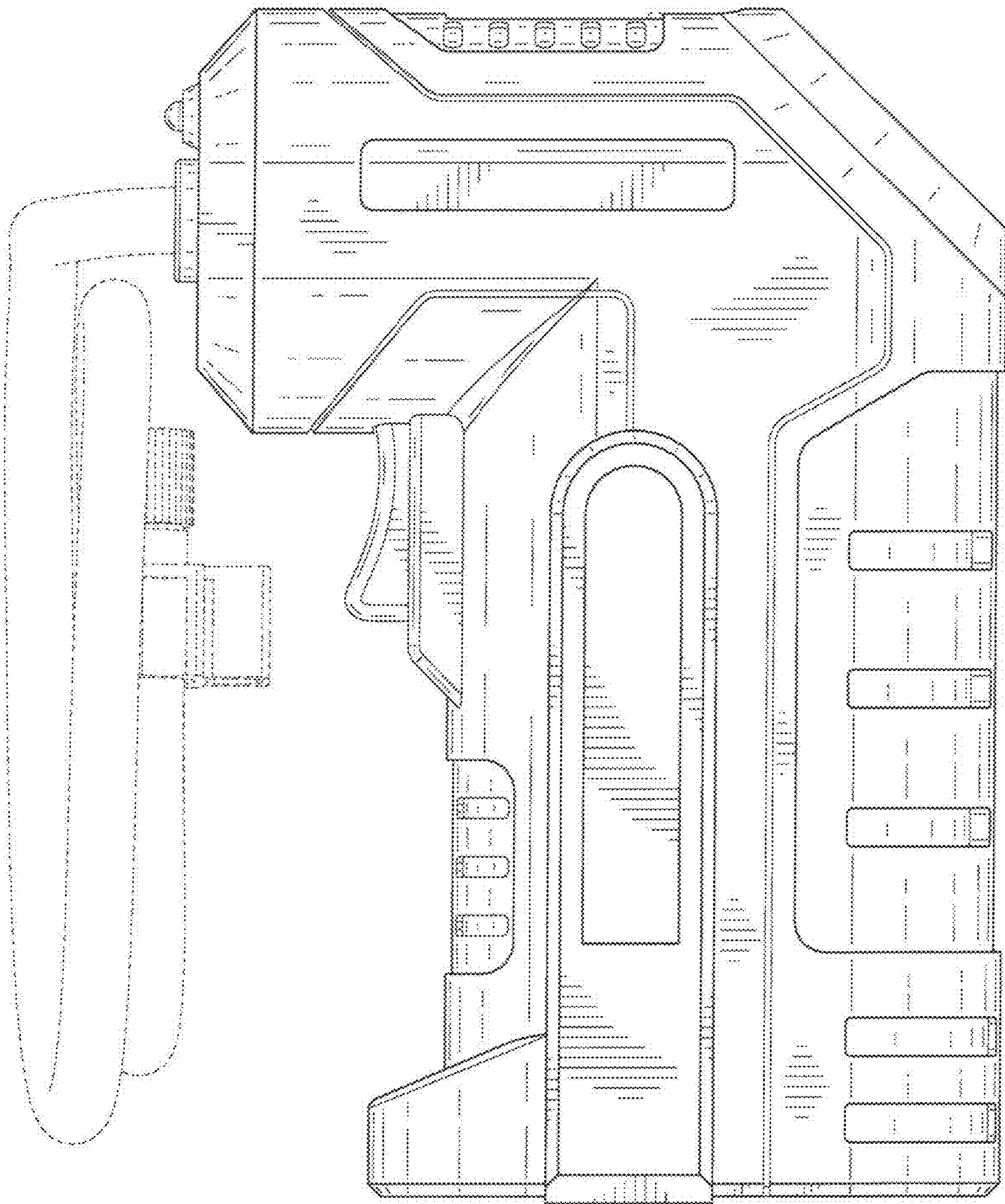


FIG. 5

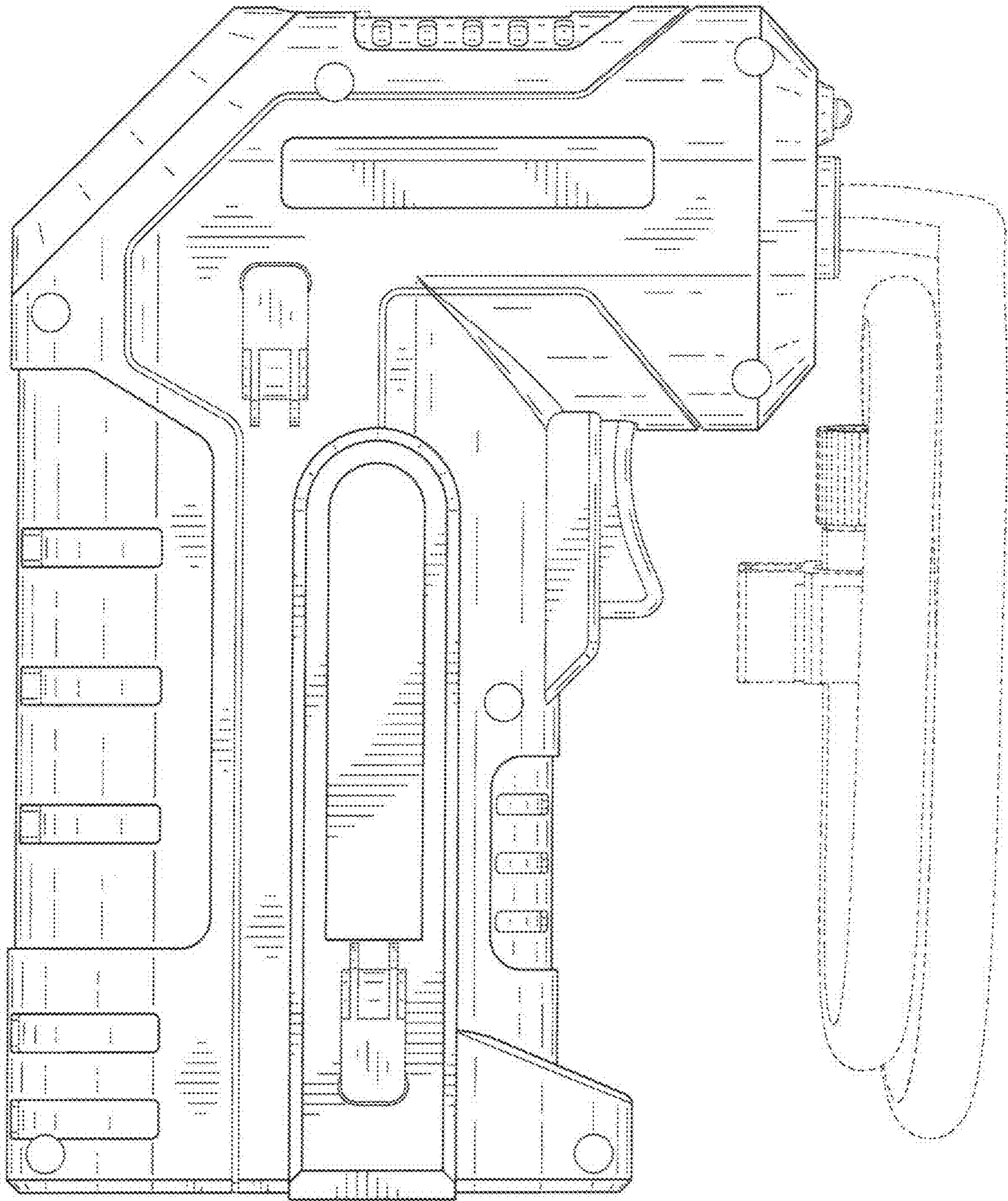


FIG. 6

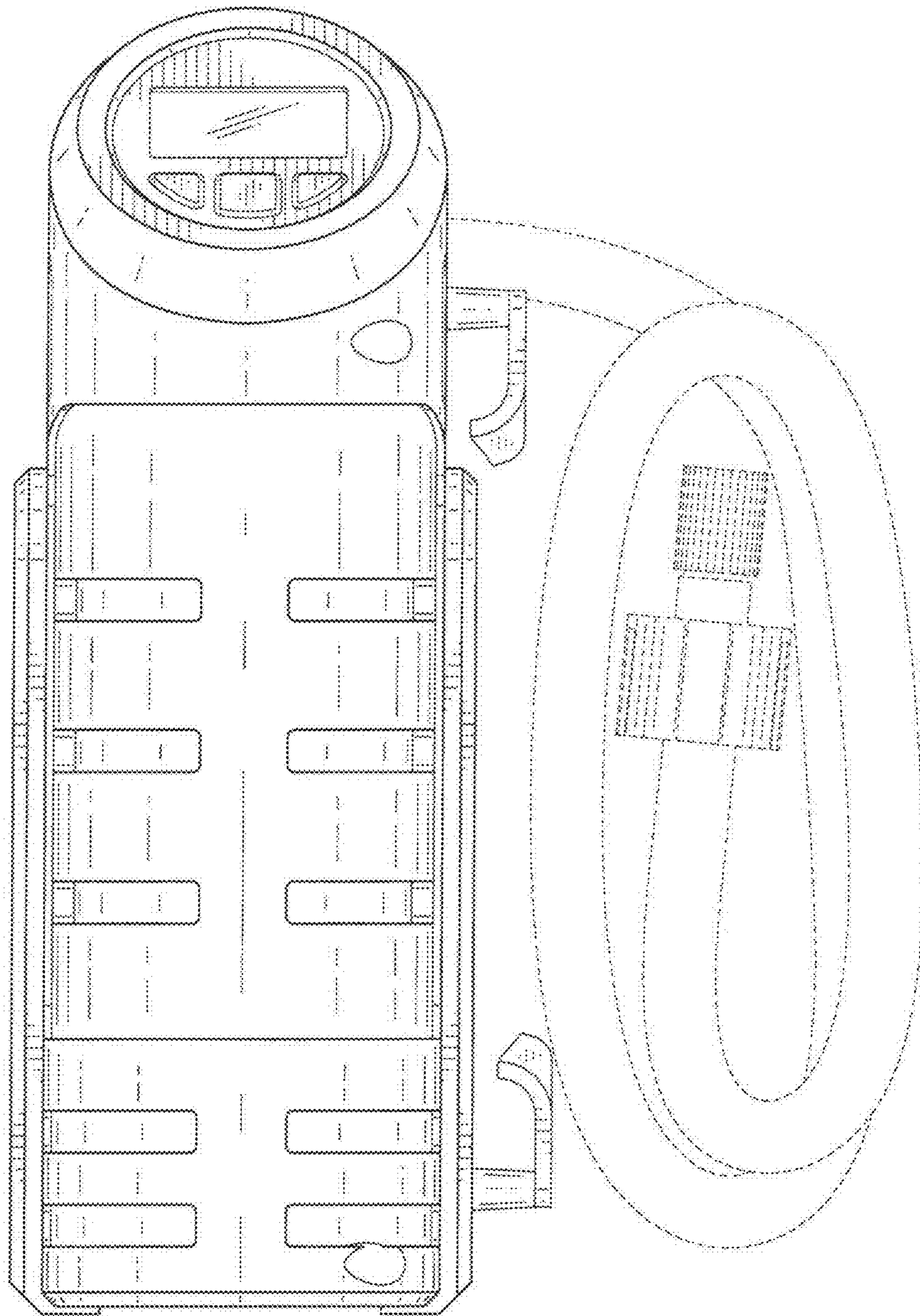


FIG. 7

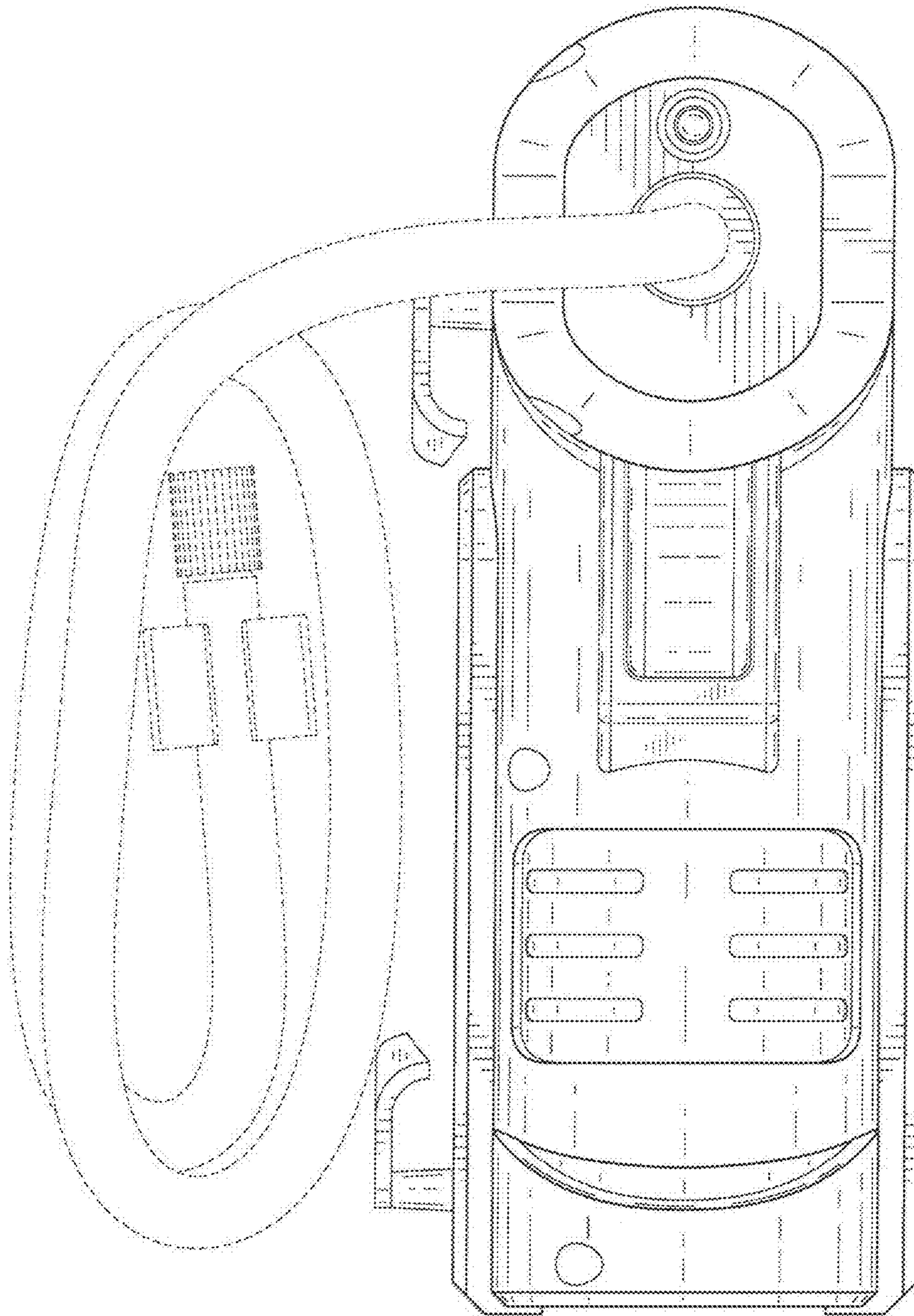


FIG. 8