



US00D898079S

(12) **United States Design Patent** (10) **Patent No.:** **US D898,079 S**
Goodfriend et al. (45) **Date of Patent:** **** Oct. 6, 2020**

(54) **DISPLAY SCREEN OR PORTION THEREOF WITH ANIMATED GRAPHICAL USER INTERFACE**

(71) Applicant: **salesforce.com, inc.**, San Francisco, CA (US)

(72) Inventors: **Scott Lee Goodfriend**, Berkeley, CA (US); **Rajeev Nayak**, San Francisco, CA (US)

(73) Assignee: **salesforce.com, inc.**, San Francisco, CA (US)

(**) Term: **15 Years**

(21) Appl. No.: **29/668,054**

(22) Filed: **Oct. 26, 2018**

(51) **LOC (12) Cl.** **14-04**

(52) **U.S. Cl.**
USPC **D14/492**

(58) **Field of Classification Search**
USPC D14/485-495
CPC ... B60K 37/00; G06F 3/0481; G06F 3/04845; G06F 3/04817; G06F 17/212; G06F 19/3406; G06T 13/80; G06T 15/02
See application file for complete search history.

(56) **References Cited**

U.S. PATENT DOCUMENTS

D497,617 S	*	10/2004	Decombe	D14/486
D663,743 S	*	7/2012	Tanghe	D14/489
D694,770 S	*	12/2013	Edwards	D14/485
D705,240 S	*	5/2014	Edwards	D14/485
D742,405 S	*	11/2015	Choi	D14/488
D743,998 S		11/2015	Auyeung		
D764,534 S	*	8/2016	Seo	D14/488
D768,642 S	*	10/2016	Li	D14/485
D769,891 S	*	10/2016	Cho	D14/485
D773,525 S	*	12/2016	Quirino	D14/488

D790,567 S	*	6/2017	Su	D14/486
D798,895 S		10/2017	Kim et al.		
D800,747 S	*	10/2017	Lee	D14/486
D807,387 S	*	1/2018	Cho	D14/486
D808,412 S	*	1/2018	Jedrzejewicz	D14/486
D816,111 S	*	4/2018	Cho	D14/488
D829,733 S	*	10/2018	Clapper	D14/485
D834,610 S		11/2018	Kim		
D853,410 S	*	7/2019	Barnett	D14/485
D863,326 S	*	10/2019	Weilandt	D14/485
D882,608 S	*	4/2020	Murphy	D14/486
2006/0263098 A1	*	11/2006	Akiyama	H04B 10/5561 398/188

* cited by examiner

Primary Examiner — Philip S Hyder

Assistant Examiner — Cary M Robinson

(74) *Attorney, Agent, or Firm* — Sterne, Kessler, Goldstein & Fox P.L.L.C.

(57) **CLAIM**

The ornamental design for a display screen or portion thereof with animated graphical user interface, as shown and described.

DESCRIPTION

FIG. 1 is a front view of a display screen or portion thereof with animated graphical user interface showing a first image of the claimed design;

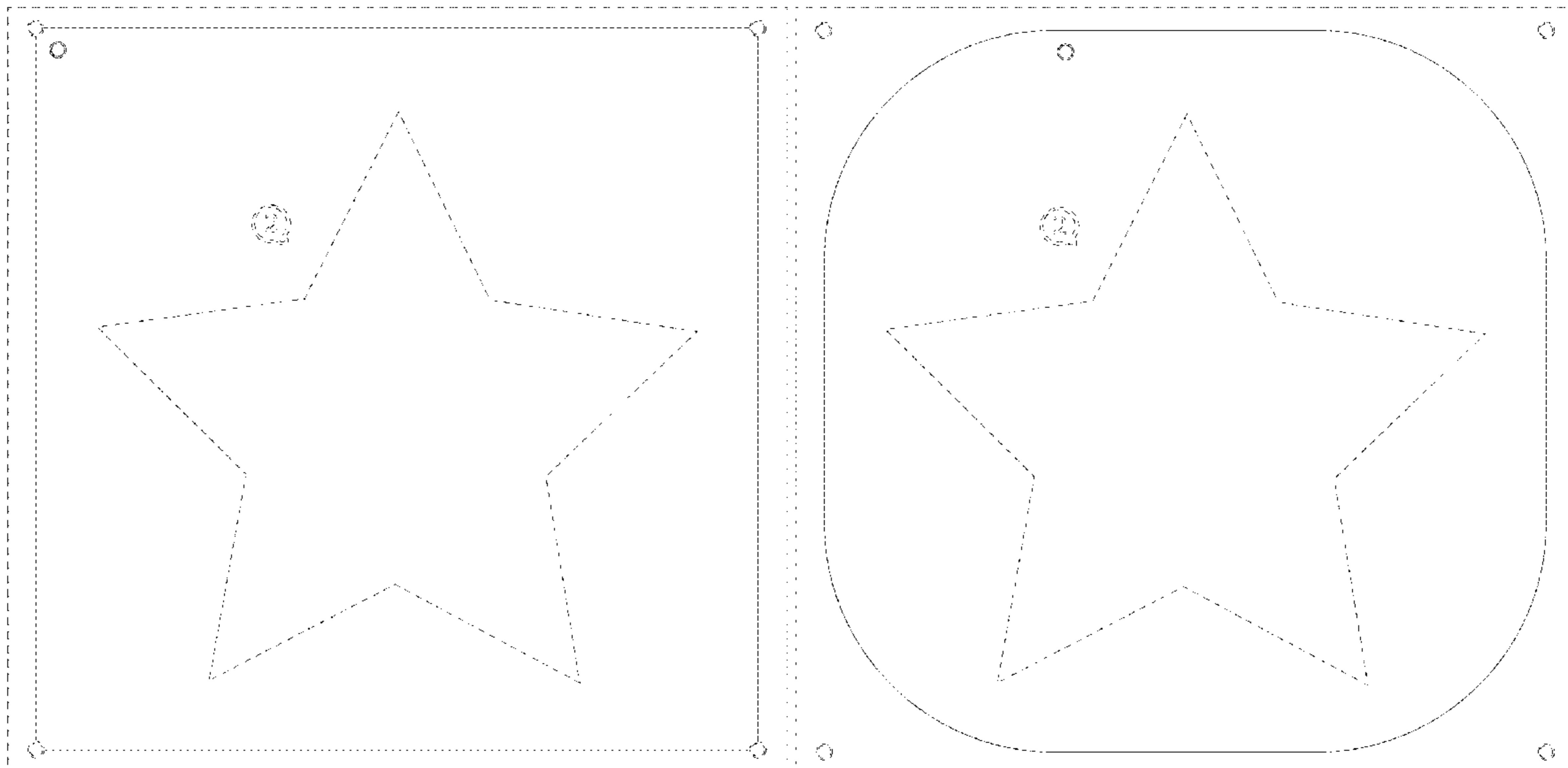
FIG. 2 is a second image thereof; and,

FIG. 3 is a third image thereof.

The outermost broken lines in the figures show a display screen or portion thereof, and form no part of the claimed design. The other broken lines in the figures show portions of the animated graphical user interface that form no part of the claimed design.

The appearance of the animated image sequentially transitions between the images shown in FIGS. 1-3. The process or period in which one image transitions to another forms no part of the claimed design.

1 Claim, 3 Drawing Sheets



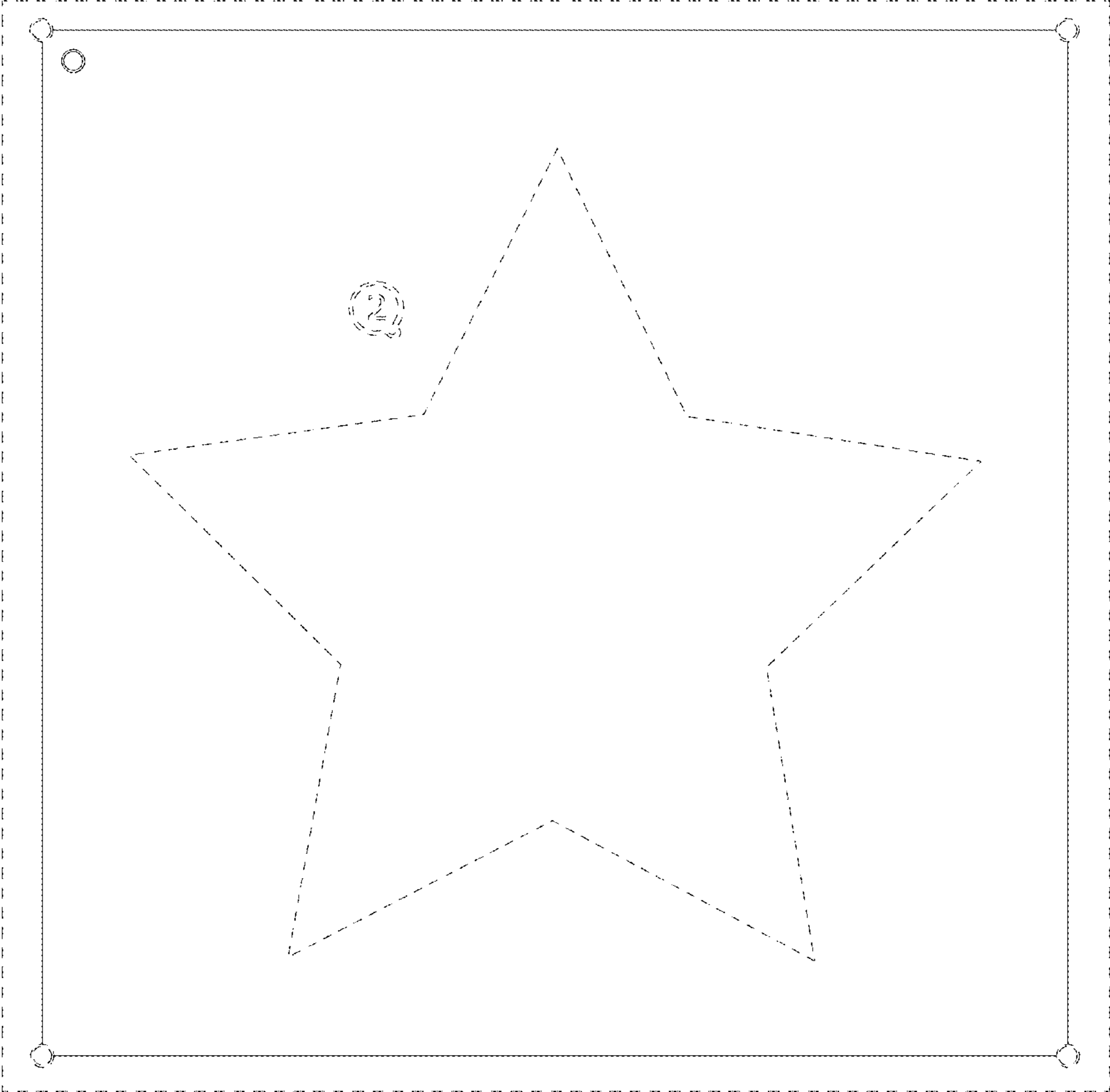


FIG. 1

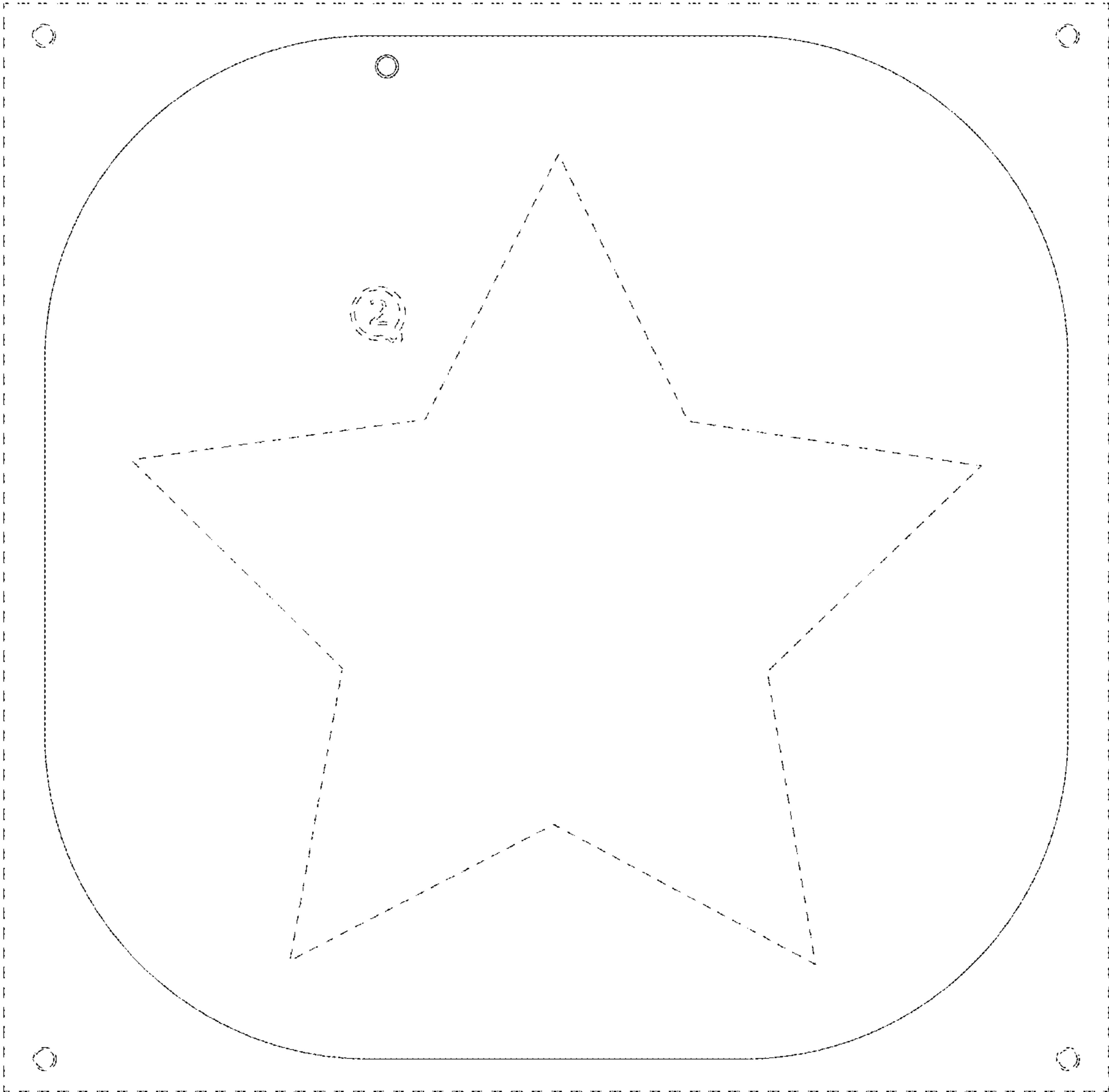


FIG. 2

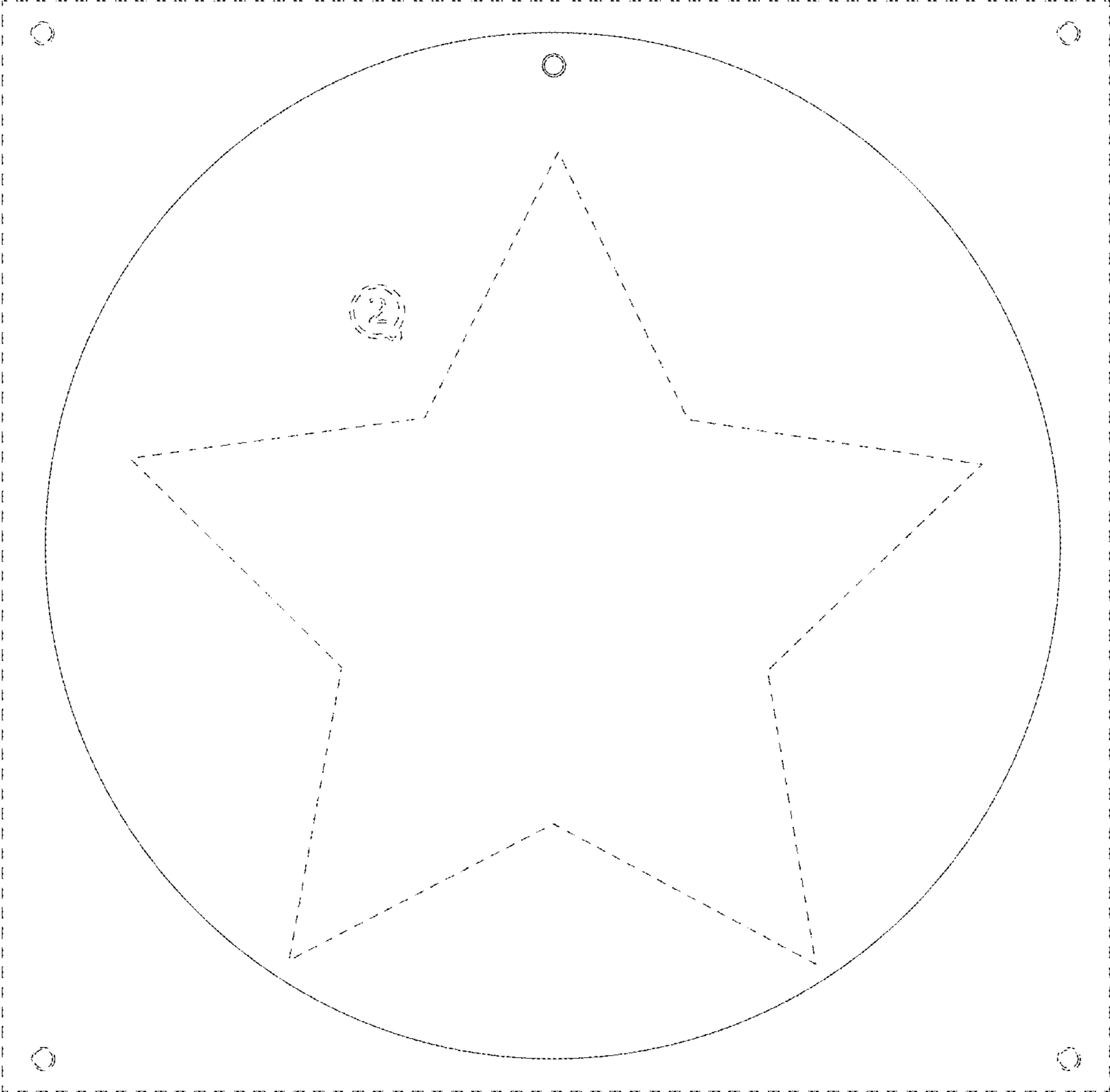


FIG. 3