



US00D898038S

(12) **United States Design Patent**
Hong

(10) **Patent No.:** **US D898,038 S**

(45) **Date of Patent:** **** Oct. 6, 2020**

- (54) **NOTEBOOK RADIATOR**
- (71) Applicant: **COOLCOLD TECHNOLOGY (SHENZHEN) CO., LTD.**, Bao'an District, Shenzhen (CN)
- (72) Inventor: **Songliang Hong**, Shenzhen (CN)
- (73) Assignee: **COOLCOLD TECHNOLOGY (SHENZHEN) CO., LTD.**, Shenzhen (CN)
- (**) Term: **15 Years**
- (21) Appl. No.: **29/730,316**
- (22) Filed: **Apr. 2, 2020**
- (51) **LOC (12) Cl.** **08-07**
- (52) **U.S. Cl.**
USPC **D14/447**
- (58) **Field of Classification Search**
USPC D14/447, 432, 434, 439, 440, 451, 452, D14/457, 239, 253; D8/363, 373, 380; D6/406.3, 406.4, 406.5, 406.6; D12/415
CPC A47B 21/04; A47B 2097/006; A47B 2097/005; A47B 2023/049; A45C 2011/002; A45C 2011/003; F16M 2200/00; F16M 13/00
See application file for complete search history.

- D733,698 S * 7/2015 Suzuki D14/315
- D753,122 S * 4/2016 Li et al.
- D789,937 S * 6/2017 Zhang D14/440
- D798,426 S 9/2017 Zhong
- D831,662 S 10/2018 Hong
- D836,642 S 12/2018 Hong
- D840,408 S * 2/2019 Chen D14/447
- D841,013 S * 2/2019 Ferren D14/440
- D863,314 S * 10/2019 Chan D14/440
- D868,792 S * 12/2019 Zeng D14/447

* cited by examiner

Primary Examiner — Angela J Lee

(74) *Attorney, Agent, or Firm* — Law Offices of Steven W. Weinrieb

(57) **CLAIM**

The ornamental design for a notebook radiator, as shown and described.

DESCRIPTION

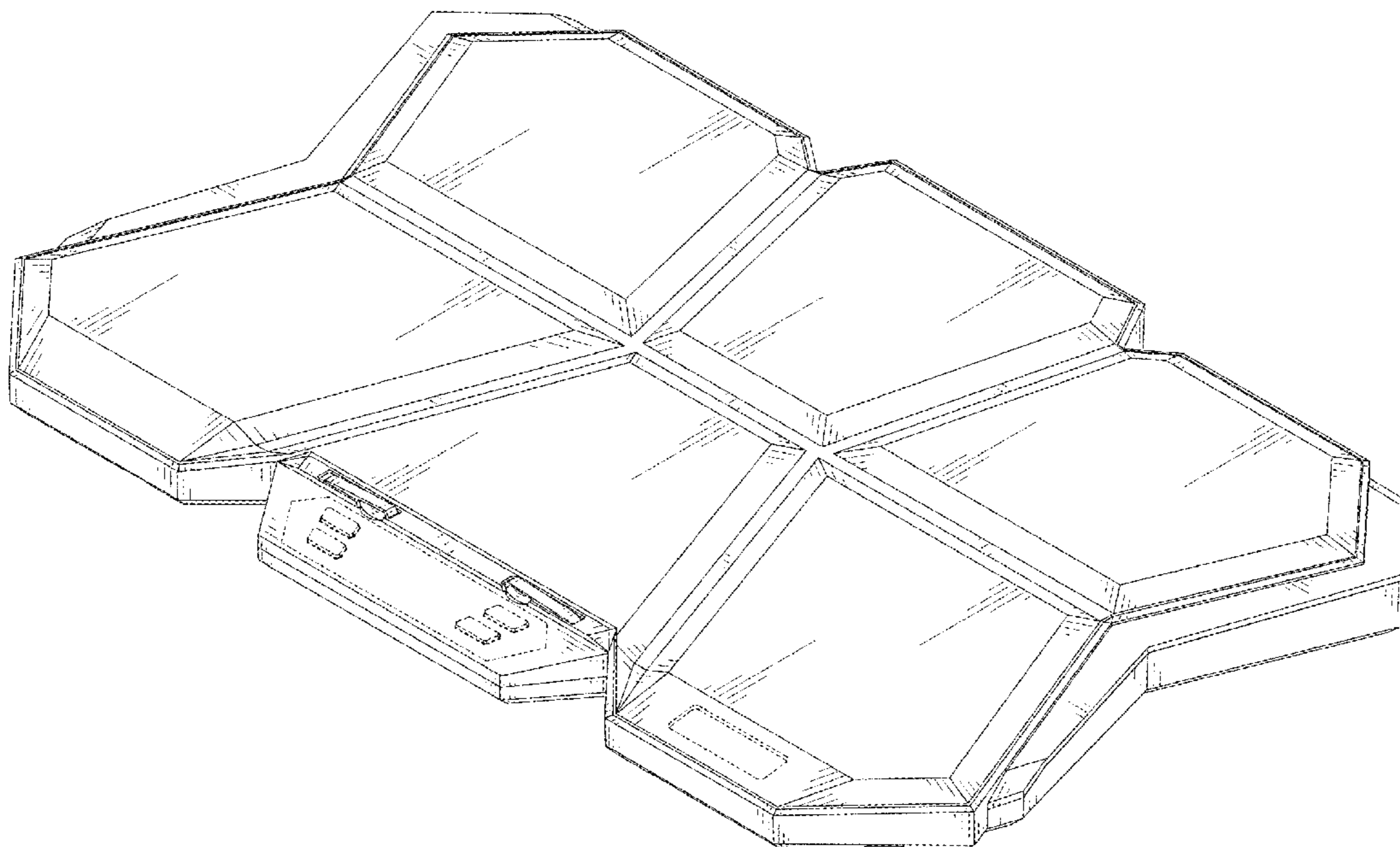
FIG. 1 is a front, right side, top perspective view of a notebook radiator showing my new design;
 FIG. 2 is a rear, left side, bottom side bottom perspective view;
 FIG. 3 is a top plan view thereof;
 FIG. 4 is a bottom plan view thereof;
 FIG. 5 is a right side elevational view thereof;
 FIG. 6 is a left side elevational view thereof;
 FIG. 7 is a front elevational view thereof;
 FIG. 8 is a rear elevational view thereof; and,
 FIG. 9 is a rear, left side, bottom side bottom perspective view thereof showing the underlying support structure at their deployed positions.
 The broken lines depict portions of the notebook radiator that form no part of the claimed design.

1 Claim, 9 Drawing Sheets

(56) **References Cited**

U.S. PATENT DOCUMENTS

- D618,691 S 6/2010 Seo et al.
- RE42,054 E * 1/2011 Park D14/447
- D674,396 S * 1/2013 Yang D14/447
- D699,245 S * 2/2014 Lee D14/447
- D702,670 S * 4/2014 Davis D14/239
- D726,192 S * 4/2015 Massucco D14/440



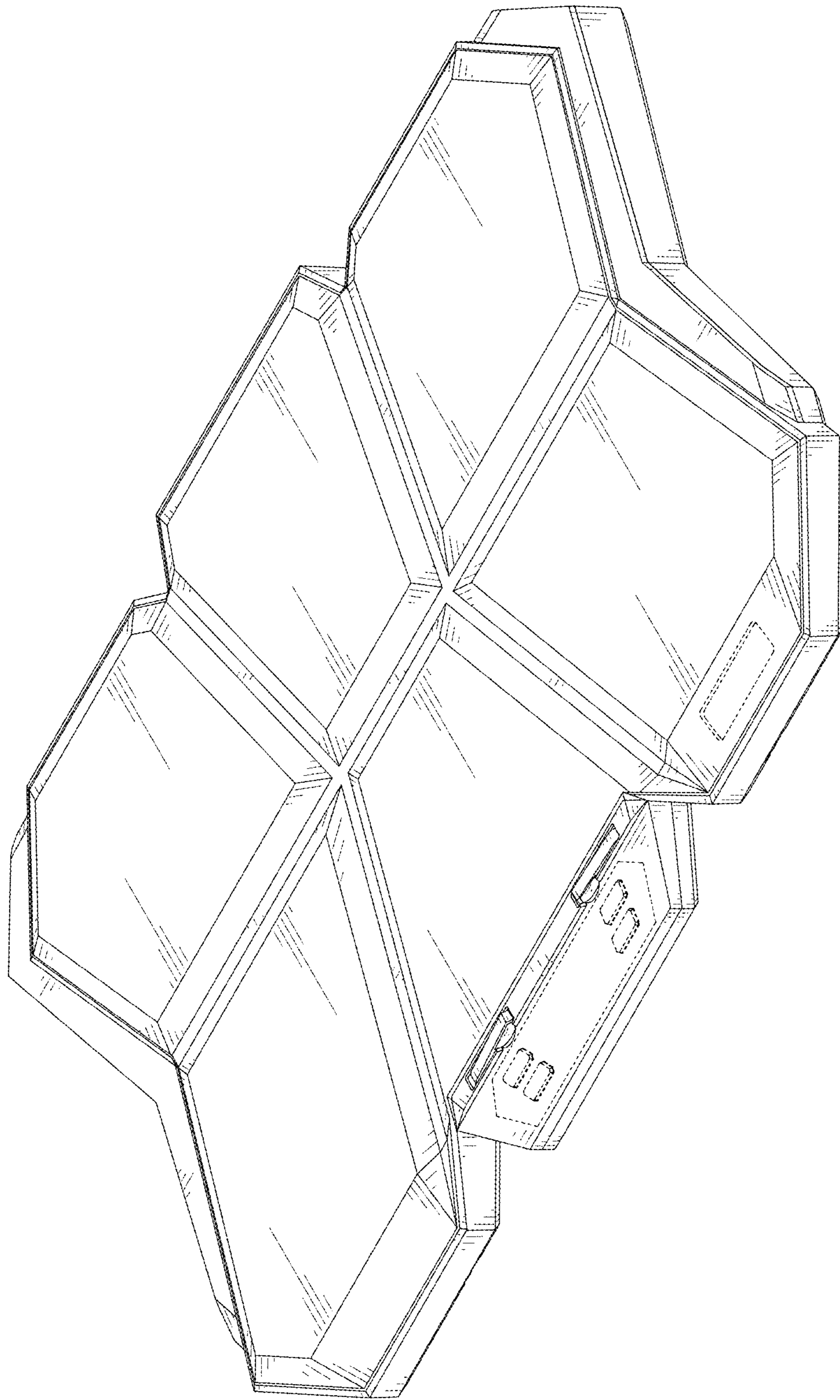


FIG. 1

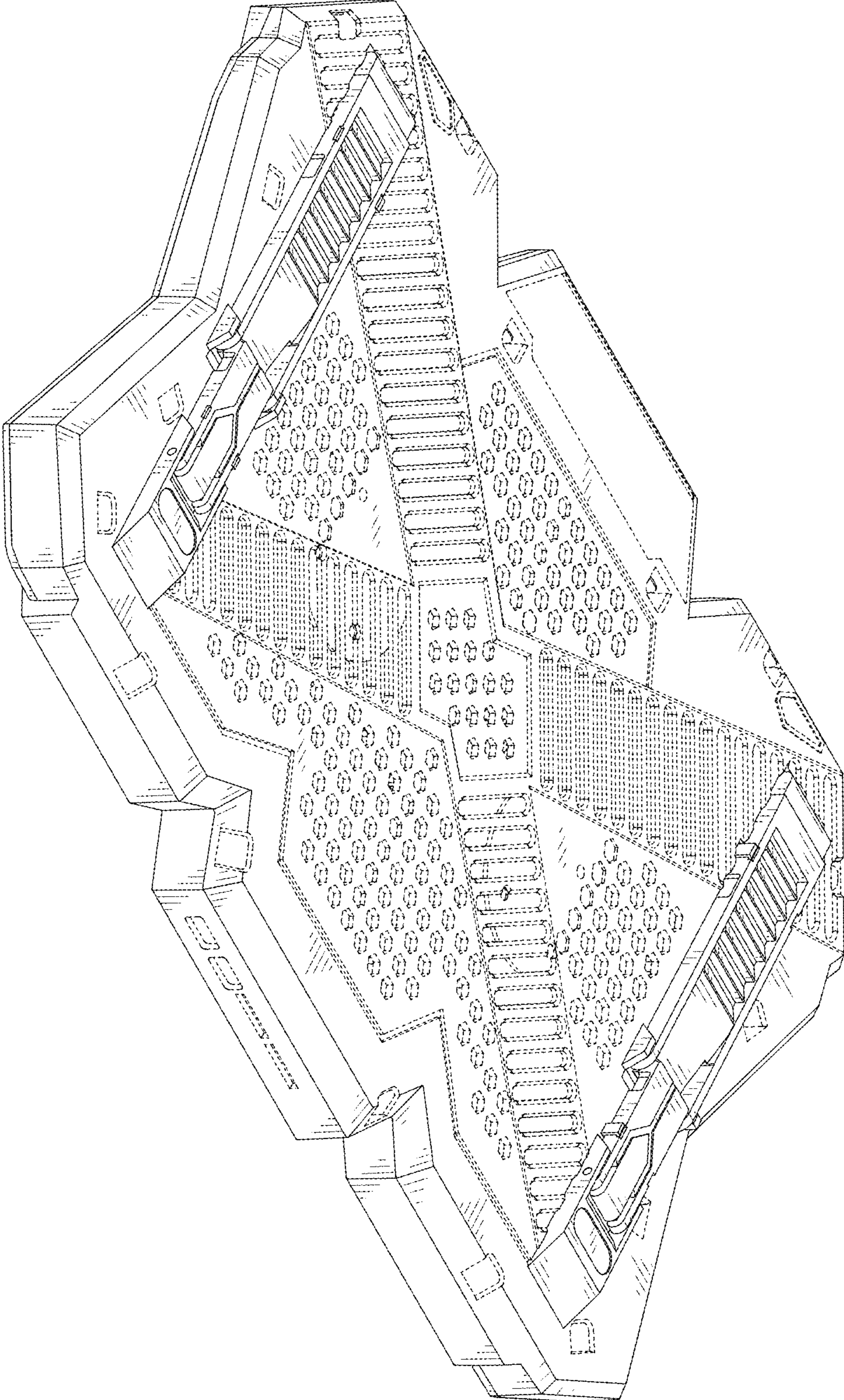


FIG. 2

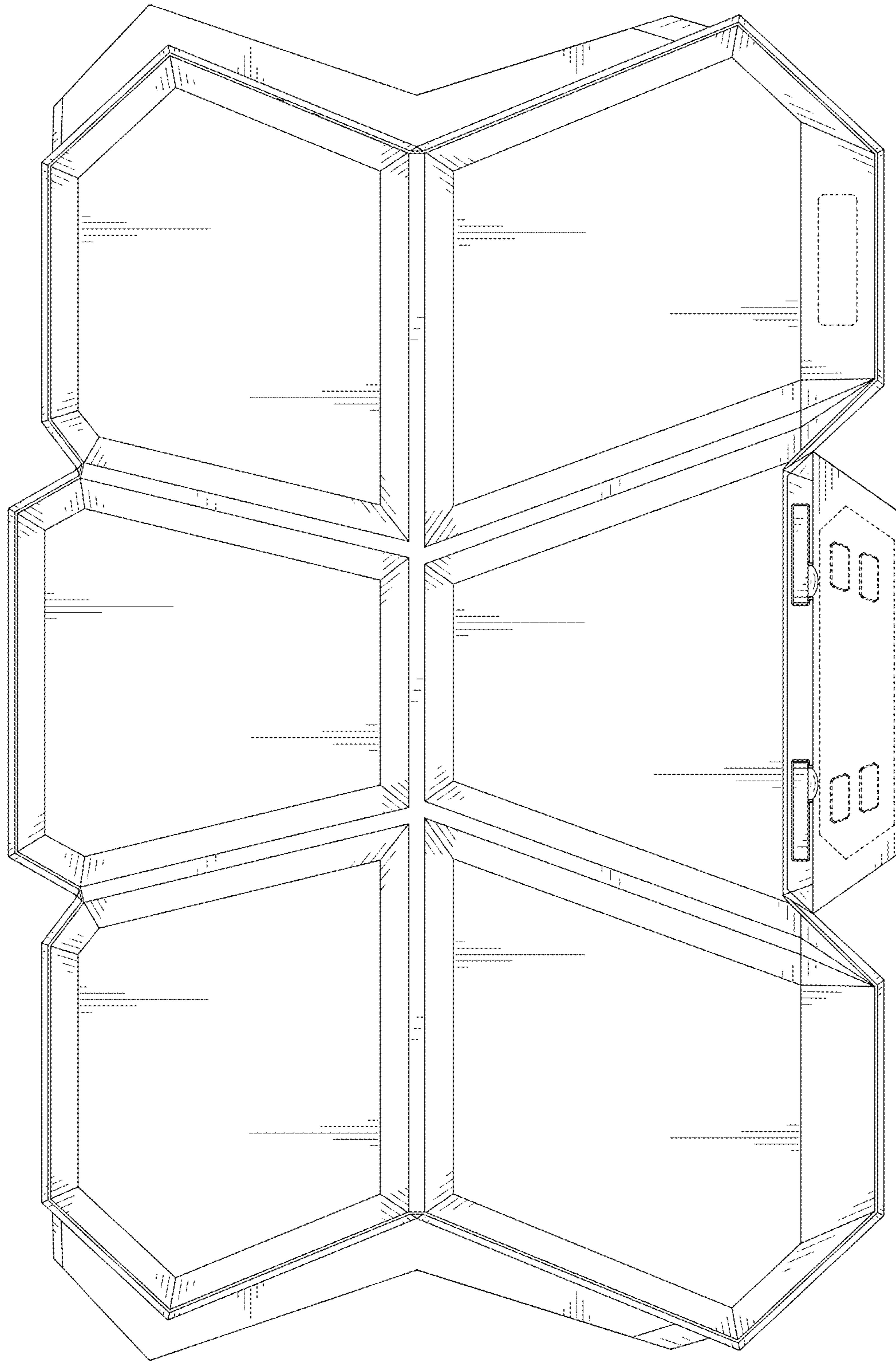


FIG. 3

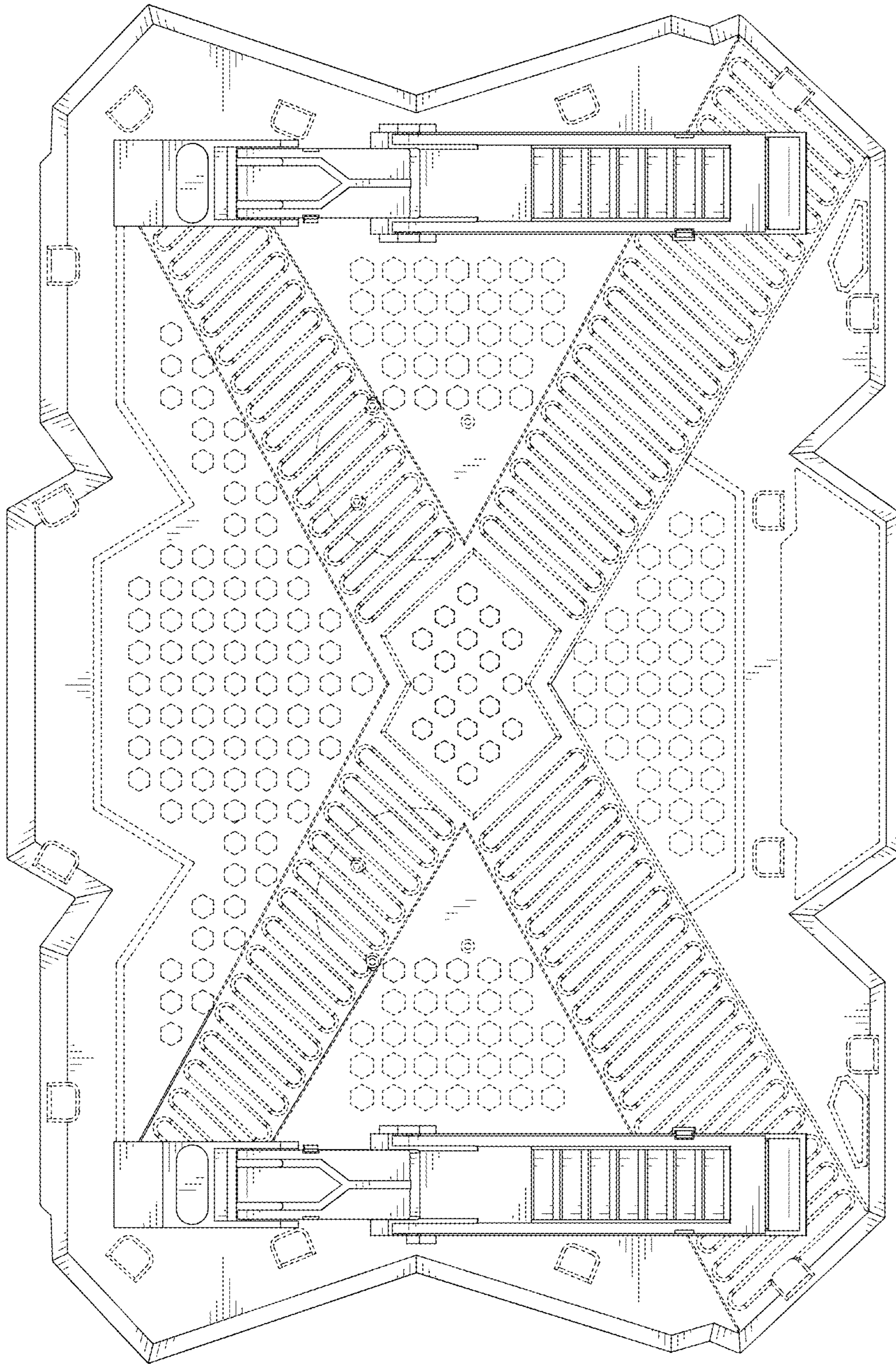


FIG. 4

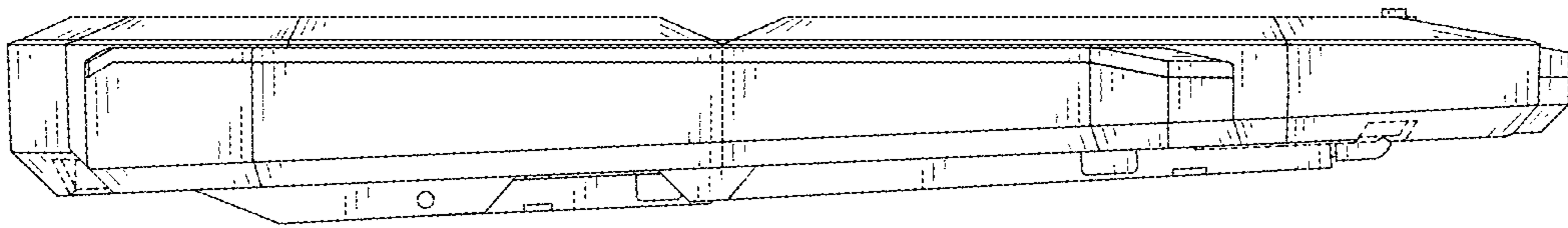


FIG. 5

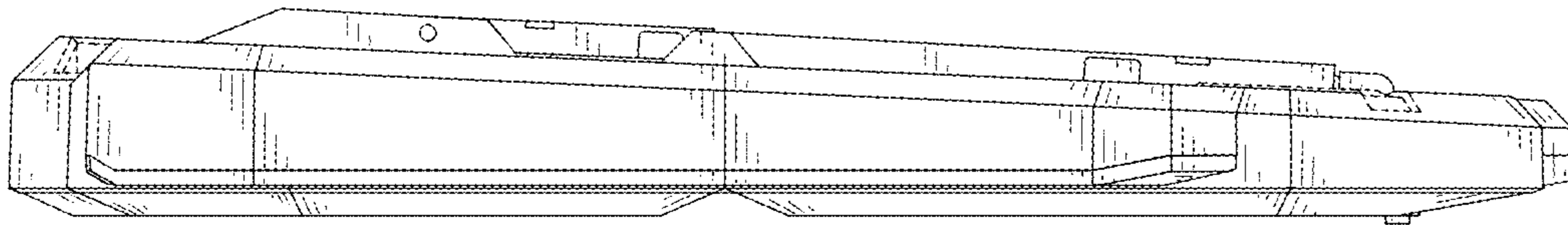


FIG. 6

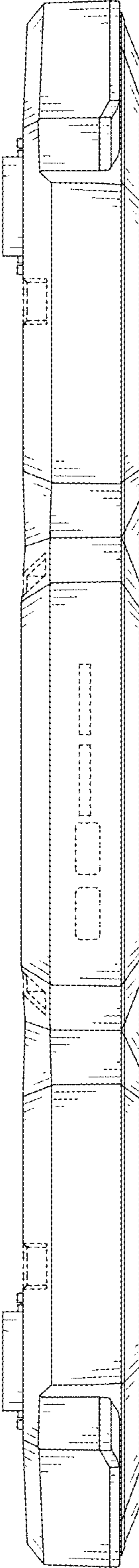


FIG. 7

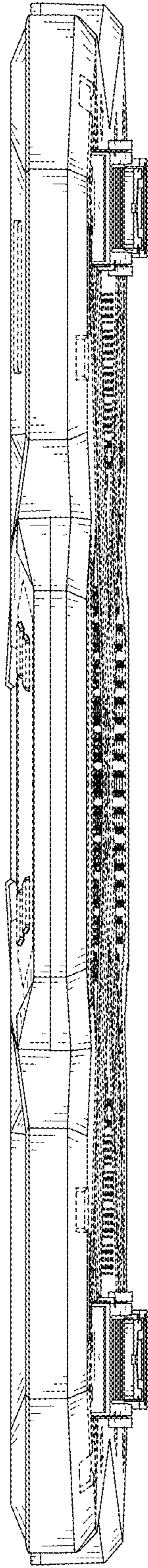


FIG. 8

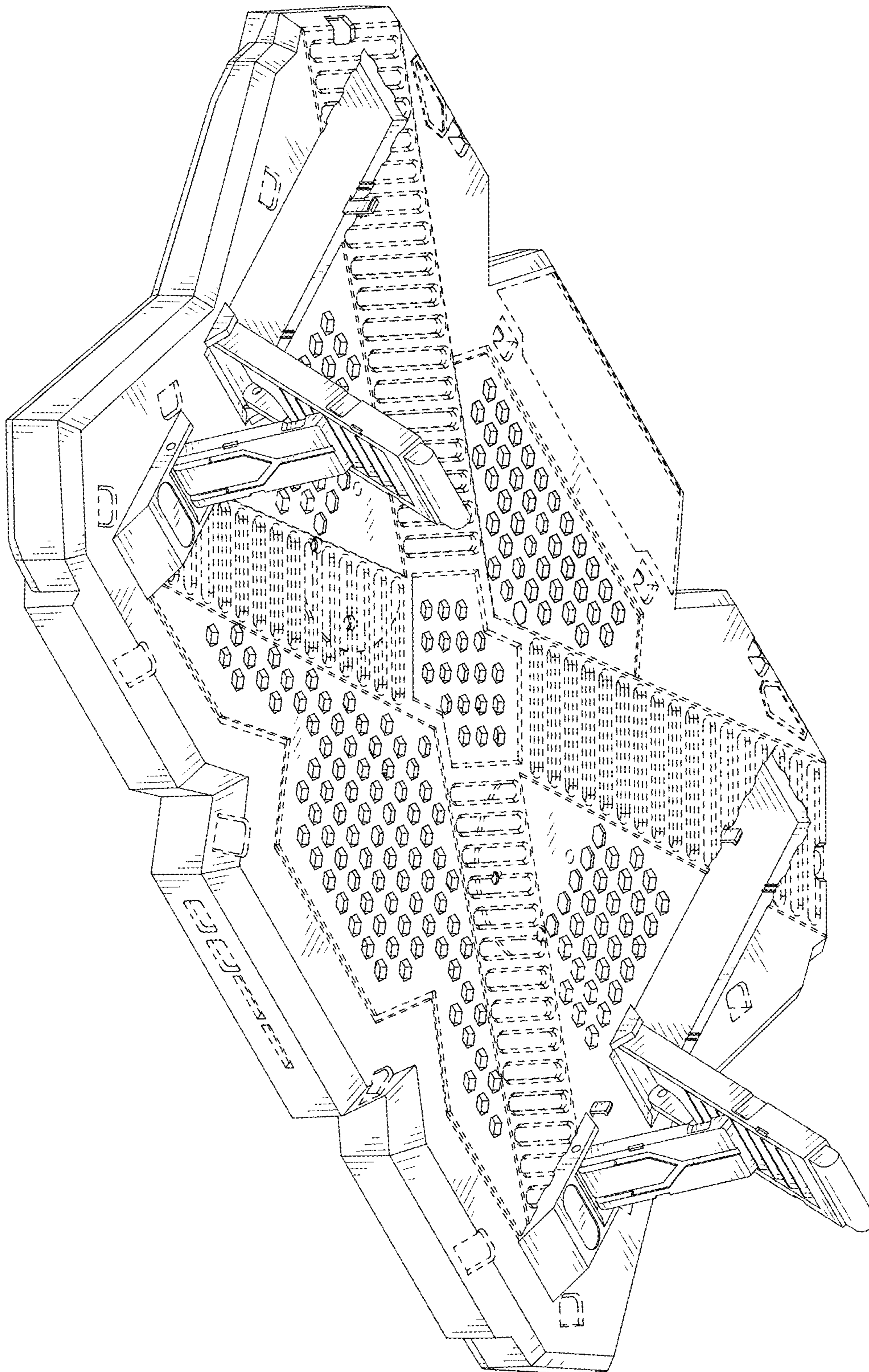


FIG. 9