



US00D898034S

(12) **United States Design Patent**
Cheng

(10) **Patent No.:** **US D898,034 S**

(45) **Date of Patent:** **** Oct. 6, 2020**

(54) **FLAT TRANSPARENT LEATHER CASE**

(71) Applicant: **Jinhua Cheng**, Anqing (CN)

(72) Inventor: **Jinhua Cheng**, Anqing (CN)

(**) Term: **15 Years**

(21) Appl. No.: **29/709,080**

(22) Filed: **Oct. 11, 2019**

(51) **LOC (12) Cl.** **14-02**

(52) **U.S. Cl.**
USPC **D14/440**

(58) **Field of Classification Search**
USPC D14/440, 447, 250; 206/45.23, 320,
206/45.2, 224; 294/25; 224/218;
361/679.55
CPC G06F 1/1628; G06F 1/1626; G06F 1/1669;
G06F 1/1679; A47B 23/044; H04B
1/3888; A45C 11/00
See application file for complete search history.

(56) **References Cited**

U.S. PATENT DOCUMENTS

D752,593 S *	3/2016	Diebel	G06F 1/1679
				D14/440
D845,305 S	4/2019	Xu		
D848,435 S *	5/2019	Moore	D14/440
D871,415 S	12/2019	Lin		
D872,093 S	1/2020	Xu		
D887,415 S *	6/2020	Claudepierre	D14/440
D888,718 S *	6/2020	Xu	D14/440
D888,719 S *	6/2020	Moore	D14/440
D889,474 S *	7/2020	Akana	D14/440
2015/0065208 A1 *	3/2015	Balaji	A45C 11/00
				455/575.8

2019/0068763 A1 *	2/2019	Brisco	H04M 1/185
2019/0166964 A1 *	6/2019	Seifert	A45C 11/00
2020/0069015 A1 *	3/2020	Poon	A45C 13/008

* cited by examiner

Primary Examiner — Cynthia R Underwood

(74) *Attorney, Agent, or Firm* — HYIP

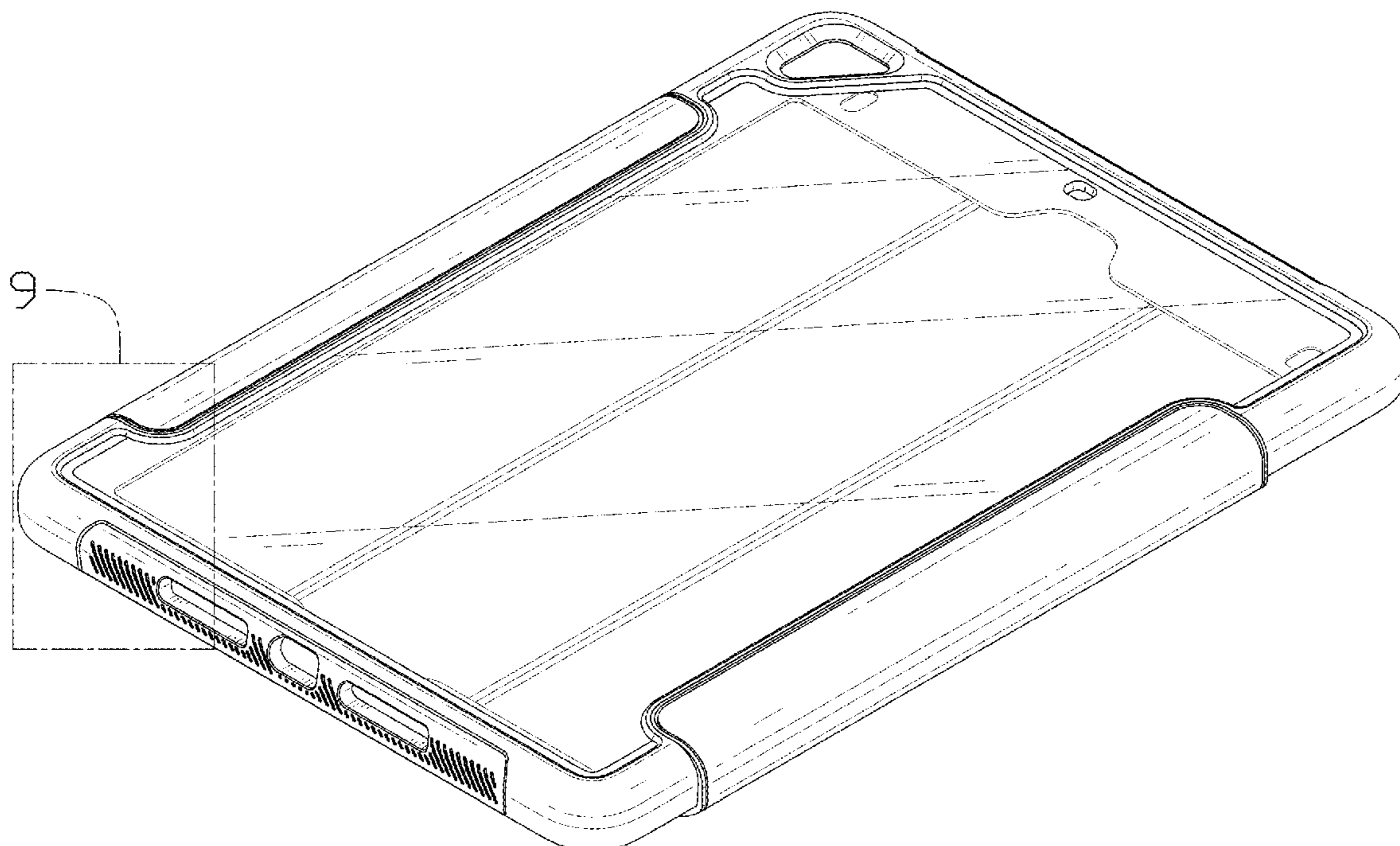
(57) **CLAIM**

The ornamental design for a flat transparent leather case, as shown and described.

DESCRIPTION

FIG. 1 is a first perspective view of a flat transparent leather case showing my new design;
 FIG. 2 is a second perspective view thereof;
 FIG. 3 is a front view thereof;
 FIG. 4 is a back view thereof;
 FIG. 5 is a left side view thereof;
 FIG. 6 is a right side view thereof;
 FIG. 7 is a top view thereof;
 FIG. 8 is a bottom view thereof;
 FIG. 9 is an enlarged view of the selected portion, in FIG. 1; and,
 FIG. 10 is an enlarged view of the selected portion in FIG. 2.
 The broken lines shown in the drawings depict portions of the flat transparent leather case in which the design is embodied that form no part of the claimed design. The long dash-short dash-long dash broken lines mark the area from which the enlarged views were taken and form no part of the claimed design.

1 Claim, 10 Drawing Sheets



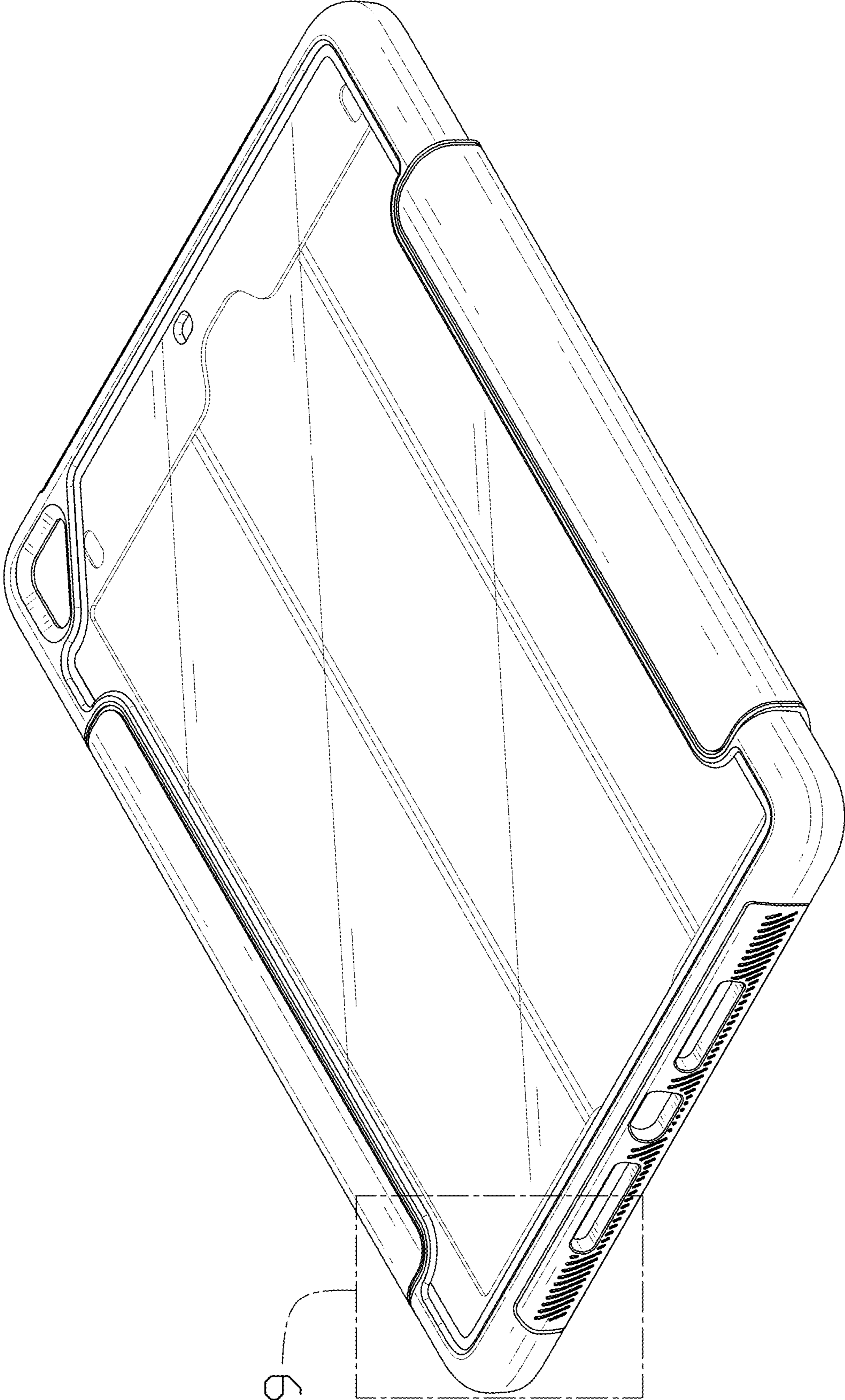


FIG. 1

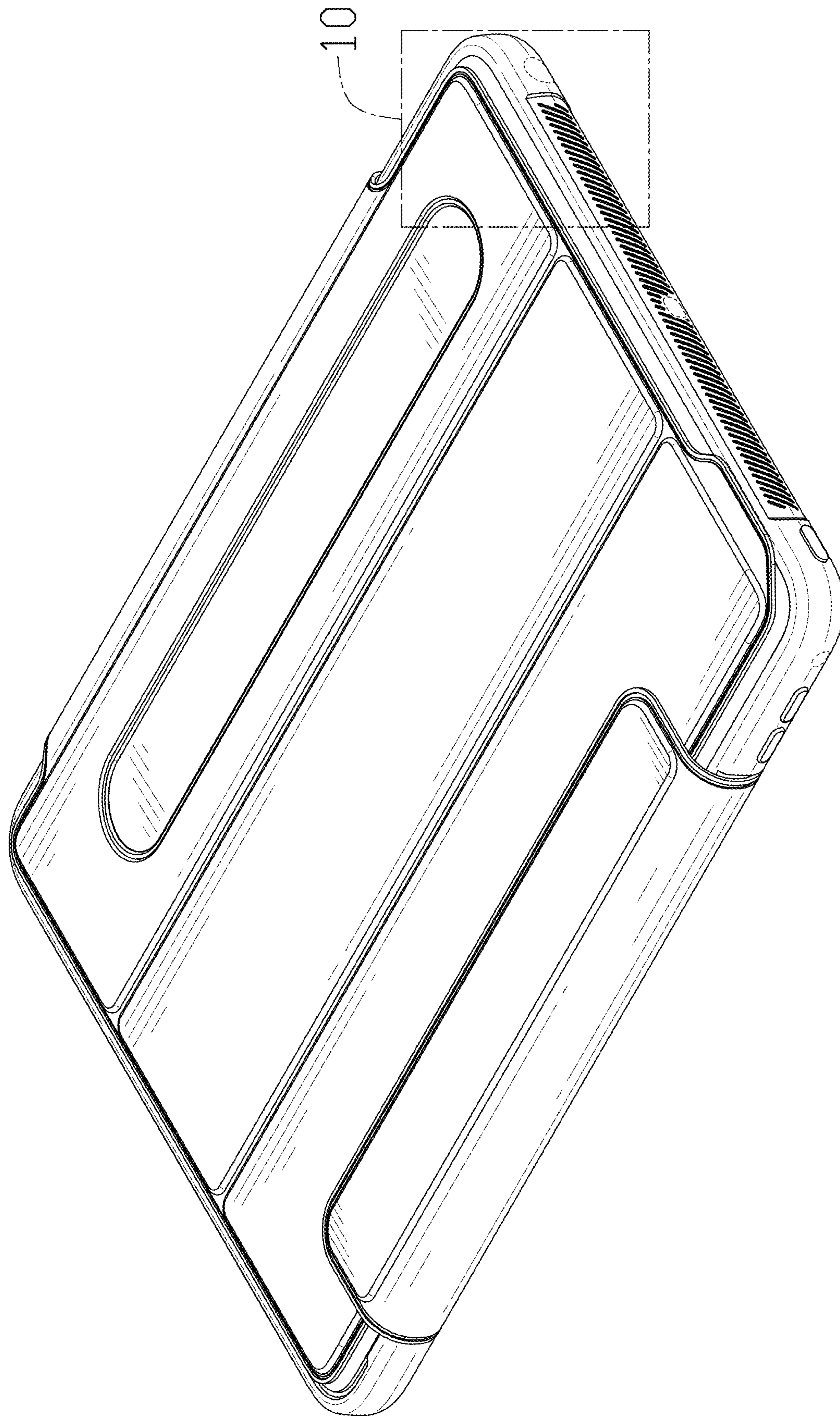


FIG. 2

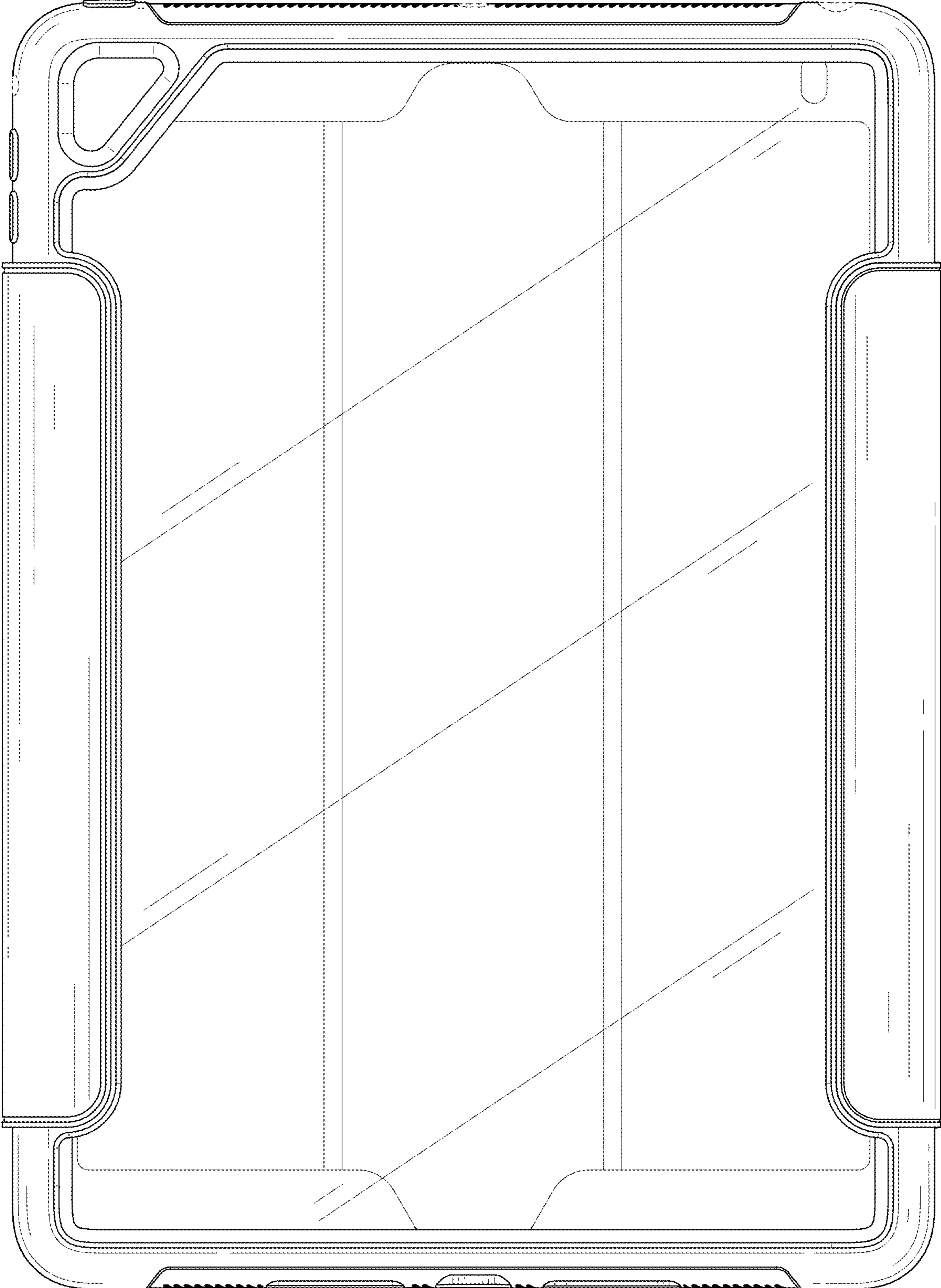


FIG. 3

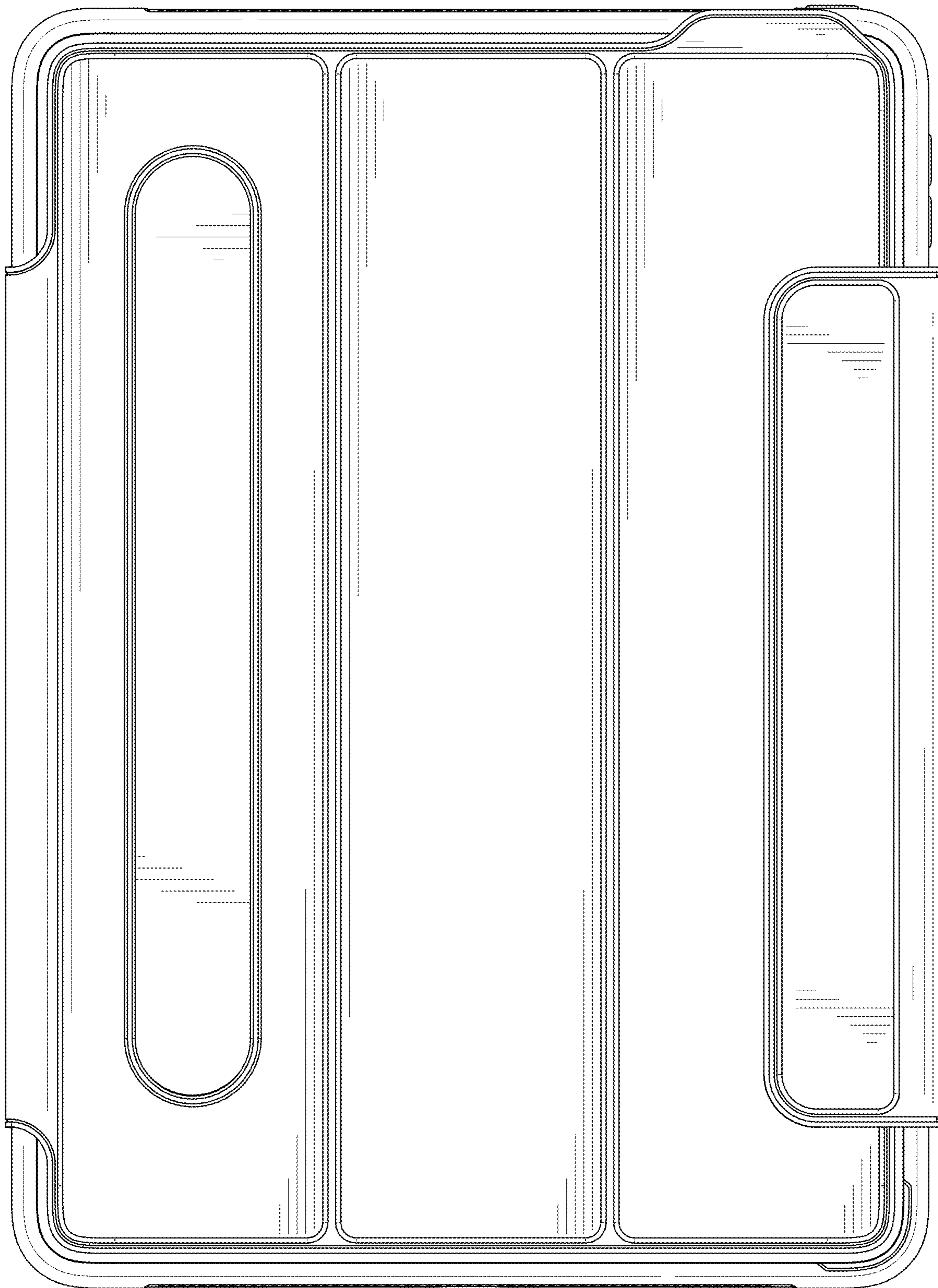


FIG. 4

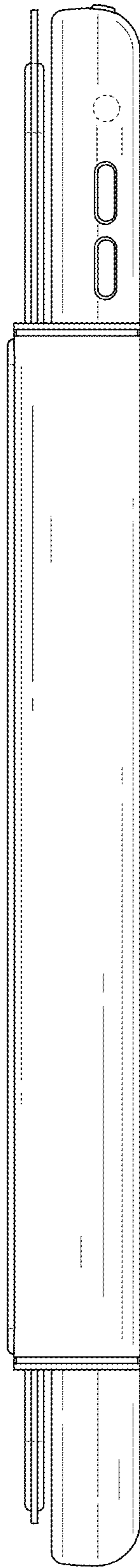


FIG. 5

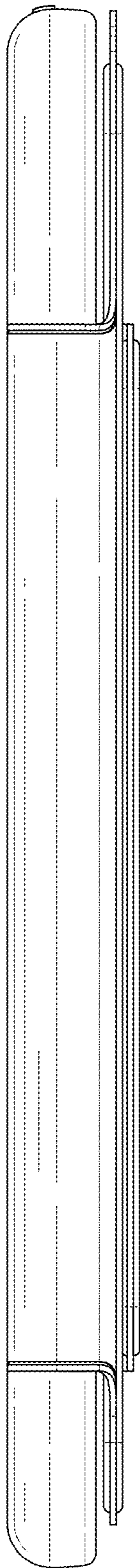


FIG. 6

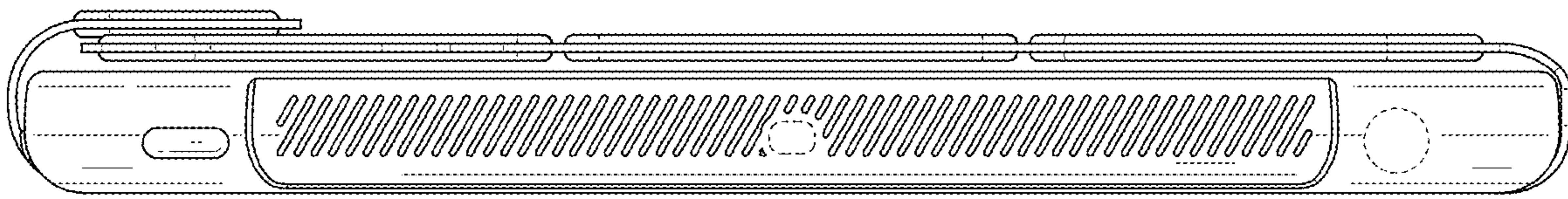


FIG. 7

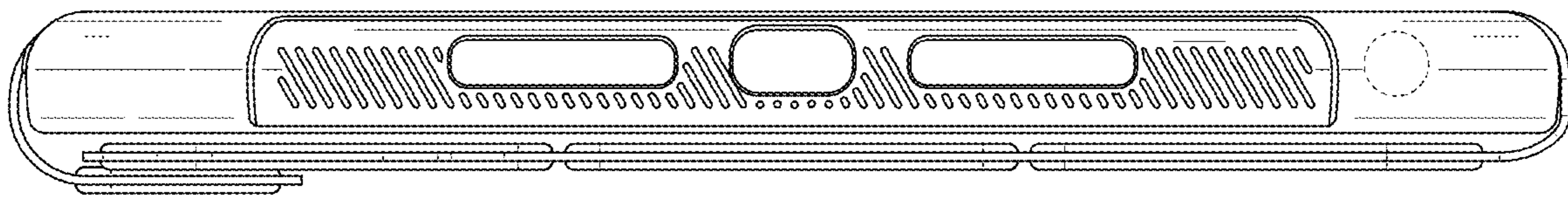


FIG. 8

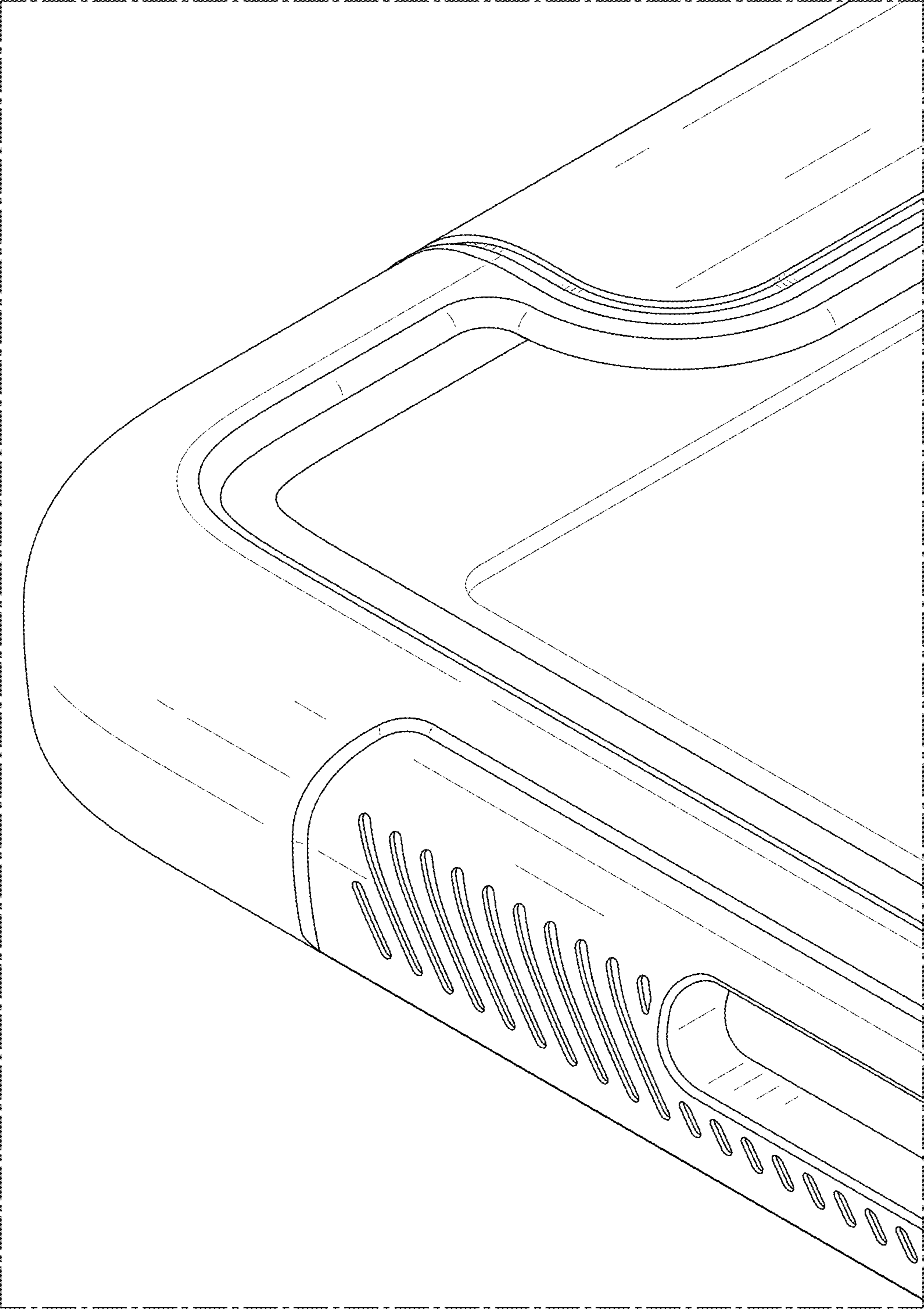


FIG. 9

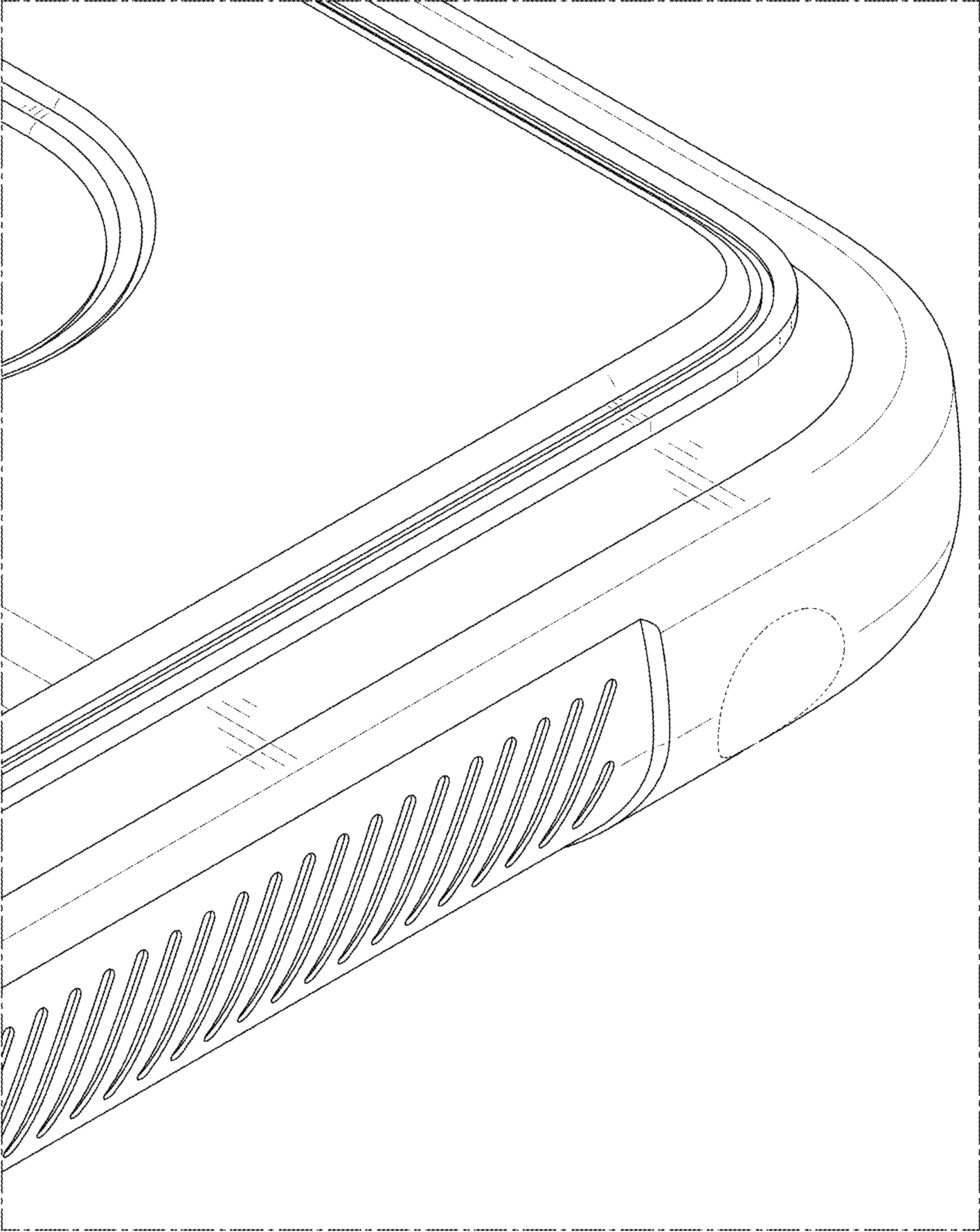


FIG. 10