



US00D898032S

(12) **United States Design Patent** (10) **Patent No.:** **US D898,032 S**  
**Yuan** (45) **Date of Patent:** **\*\* Oct. 6, 2020**

(54) **DATA CABLE**

(71) Applicant: **Xianghua Yuan**, Guangdong (CN)

(72) Inventor: **Xianghua Yuan**, Guangdong (CN)

(\*\*) Term: **15 Years**

(21) Appl. No.: **29/701,997**

(22) Filed: **Aug. 15, 2019**

(51) **LOC (12) Cl.** ..... **14-99**

(52) **U.S. Cl.**  
USPC ..... **D14/433; D13/153**

(58) **Field of Classification Search**  
USPC ..... D1/432, 433, 435, 435.1, 436, 439,  
D1/480.1-480.7, 474, 483, 484.1,  
D1/203.1-203.6, 240, 242; D13/133,  
D13/153, 154  
CPC ..... H05K 5/0278; G06K 19/07732; H01R  
27/00; H01R 27/02; H01R 31/06  
See application file for complete search history.

(56) **References Cited**

**U.S. PATENT DOCUMENTS**

D520,457 S *	5/2006	Wada	.....	D13/156
D680,077 S *	4/2013	Richards	.....	D13/147
D716,235 S *	10/2014	Tien	.....	D13/147
D793,344 S *	8/2017	Wang	.....	D13/153
D795,816 S *	8/2017	He	.....	D13/153
D810,748 S *	2/2018	Zhang	.....	D14/433
D810,749 S *	2/2018	Zhang	.....	D14/433
D820,217 S *	6/2018	Li	.....	D13/147
D851,047 S *	6/2019	Zhang	.....	D13/153
D864,963 S *	10/2019	Luo	.....	D14/433
D882,524 S *	4/2020	Rong	.....	D13/153
D883,215 S *	5/2020	Wang	.....	D13/133

\* cited by examiner

*Primary Examiner* — Angela J Lee  
*Assistant Examiner* — Rebekah A Caruso  
(74) *Attorney, Agent, or Firm* — ZANIP

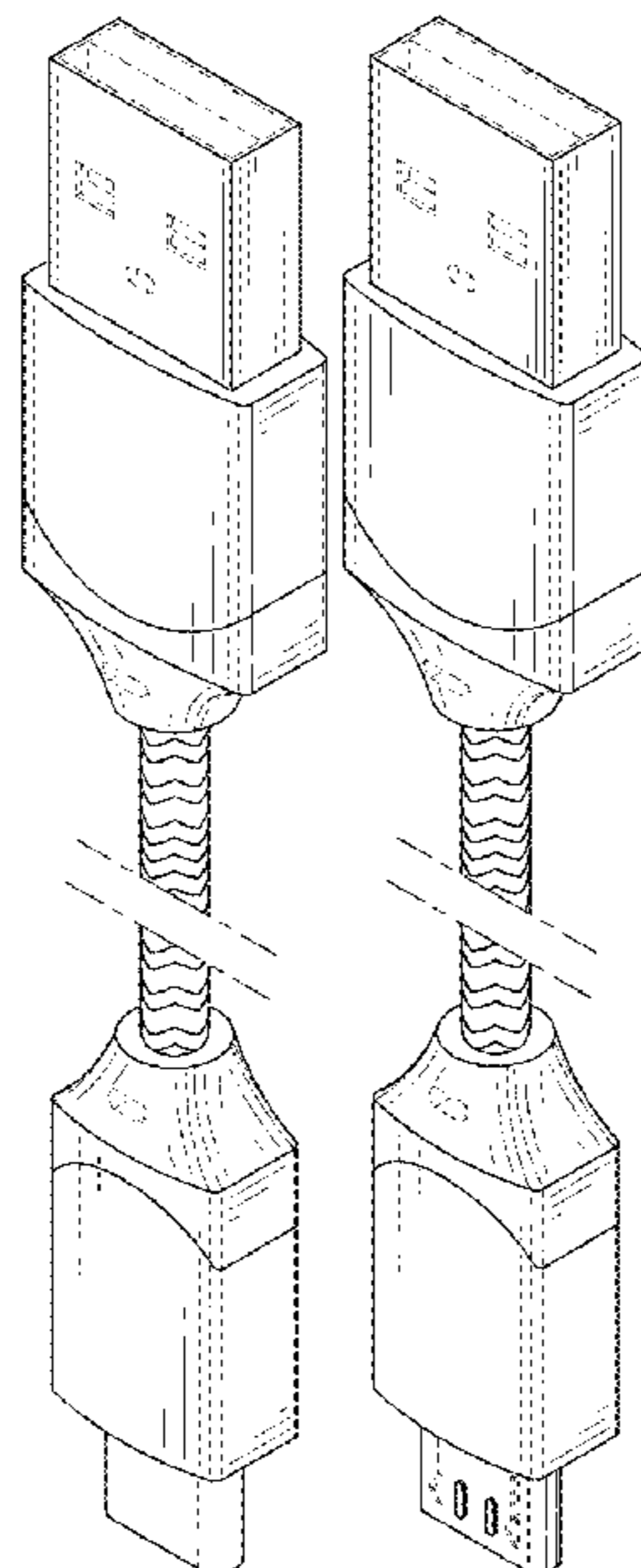
(57) **CLAIM**

The ornamental design for a data cable, as shown and described.

**DESCRIPTION**

FIG. 1 is a front and top perspective view of a first embodiment of a data cable, showing my new design; FIG. 2 is a rear and bottom perspective view thereof; FIG. 3 is a front elevational view thereof; FIG. 4 is a rear elevational view thereof; FIG. 5 is a left side elevational view thereof; FIG. 6 is a right side elevational view thereof; FIG. 7 is a top plan view thereof; FIG. 8 is a bottom plan view thereof; FIG. 9 is a front and top perspective view of a second embodiment of a data cable, showing my new design; FIG. 10 is a rear and bottom perspective view thereof; FIG. 11 is a front elevational view thereof; FIG. 12 is a rear elevational view thereof; FIG. 13 is a left side elevational view thereof; FIG. 14 is a right side elevational view thereof; FIG. 15 is a top plan view thereof; and, FIG. 16 is a bottom plan view thereof. The broken lines in the figures illustrate portions of the data cable that form no part of the claimed design. The data cable is shown with a symbolic break in its length. The appearance of any portion of the article between the break lines forms no part of the claimed design.

**1 Claim, 16 Drawing Sheets**



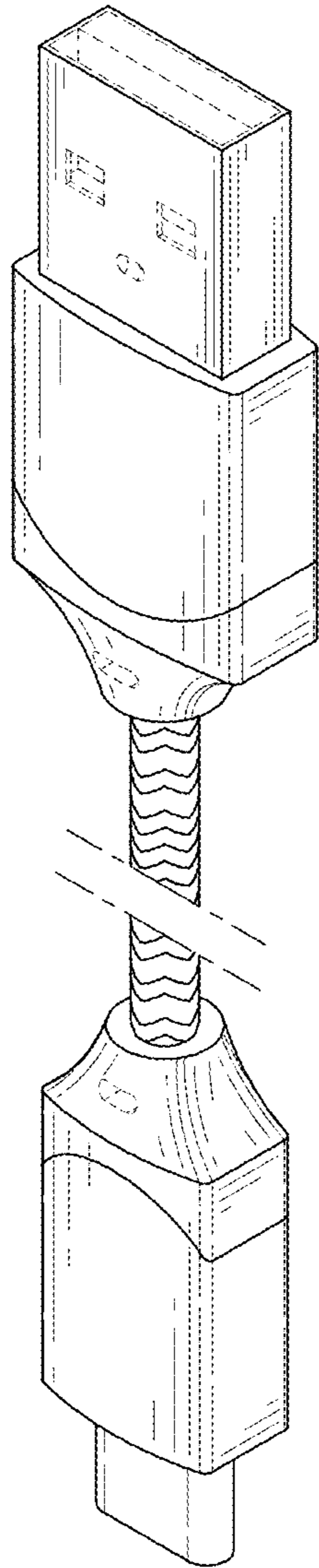


FIG. 1

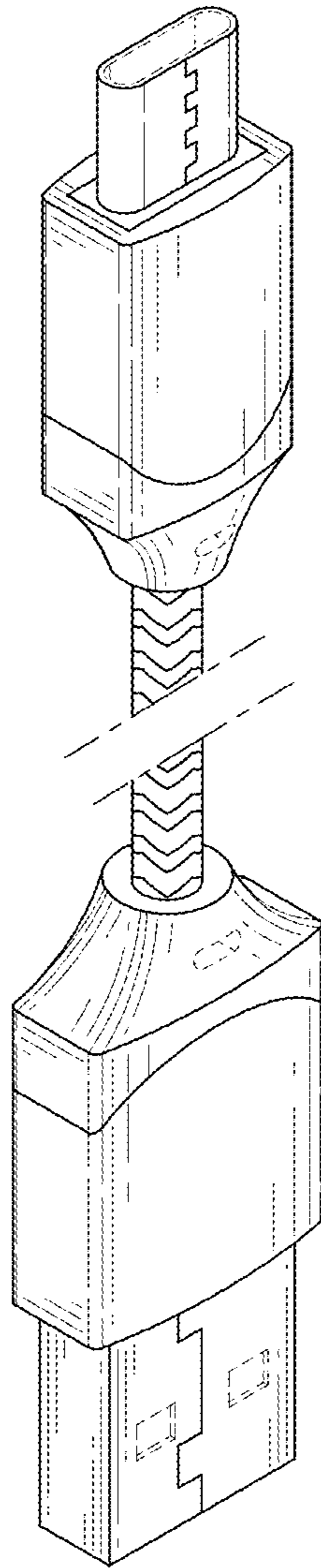


FIG. 2

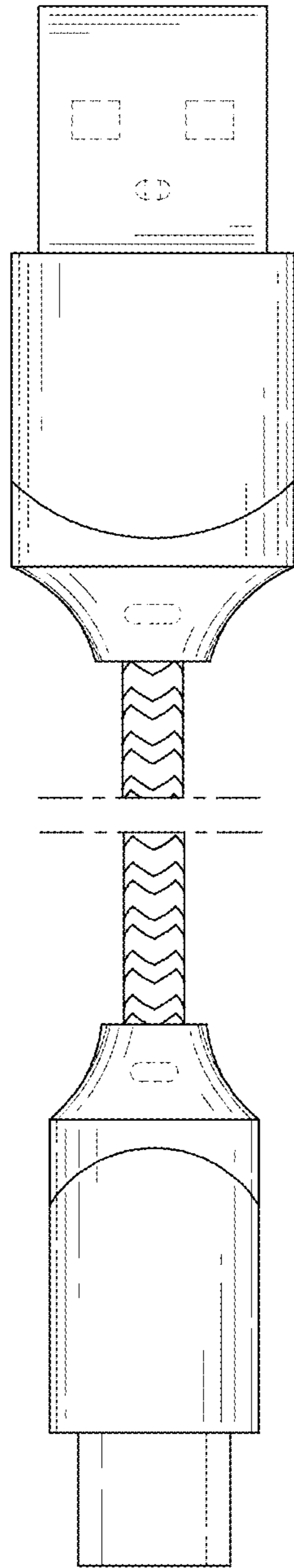


FIG. 3

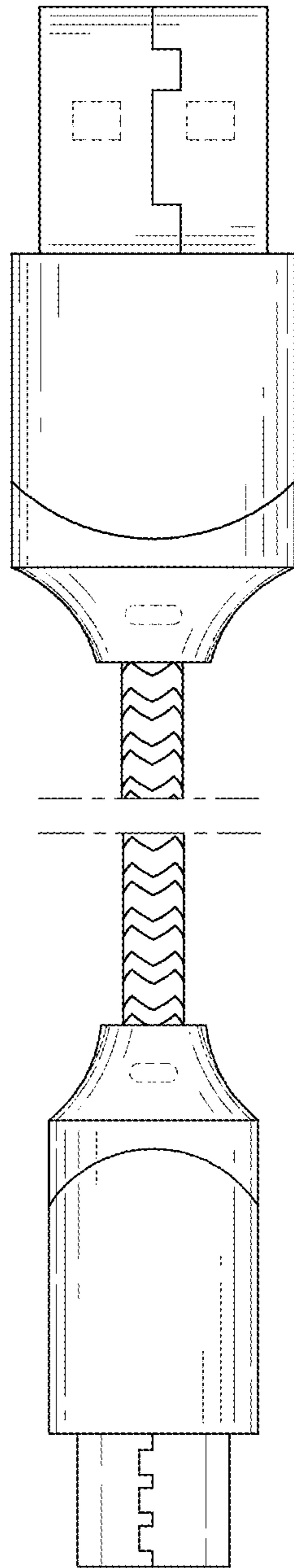


FIG. 4

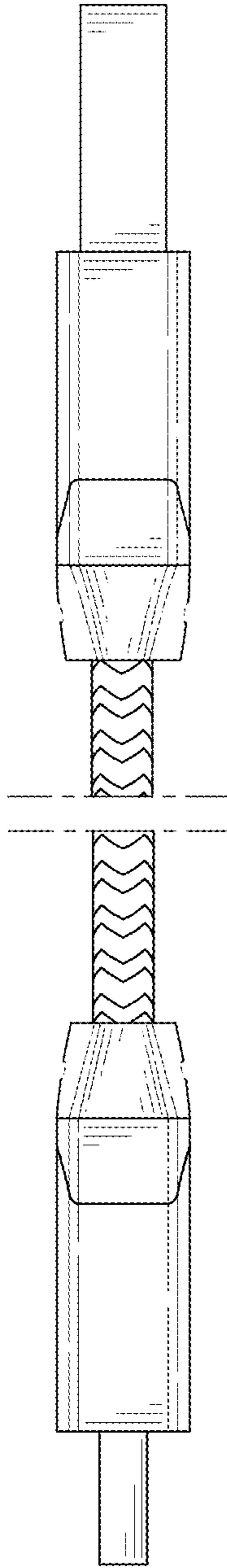


FIG. 5

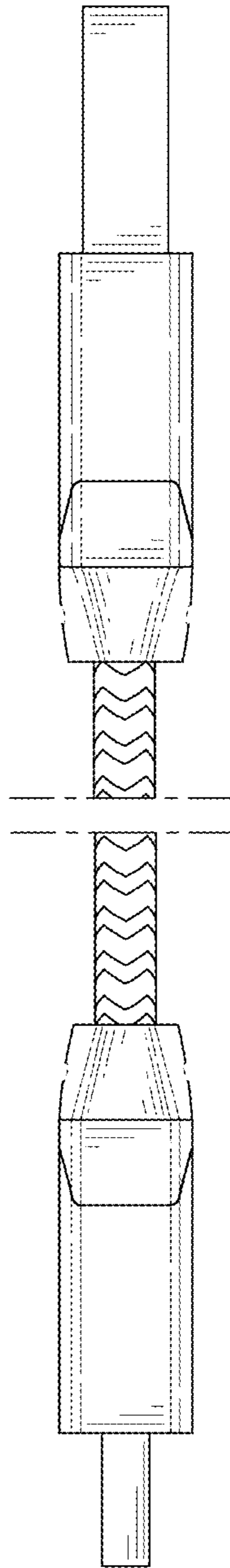


FIG. 6

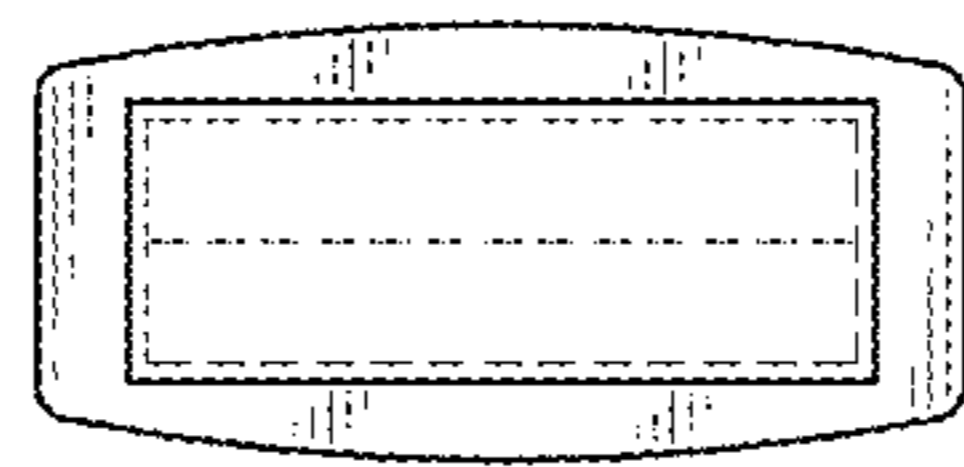


FIG. 7



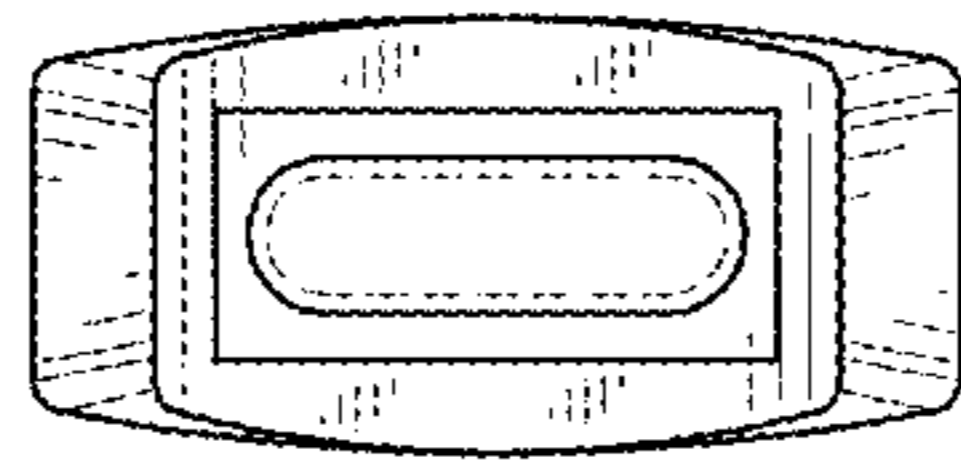


FIG. 8

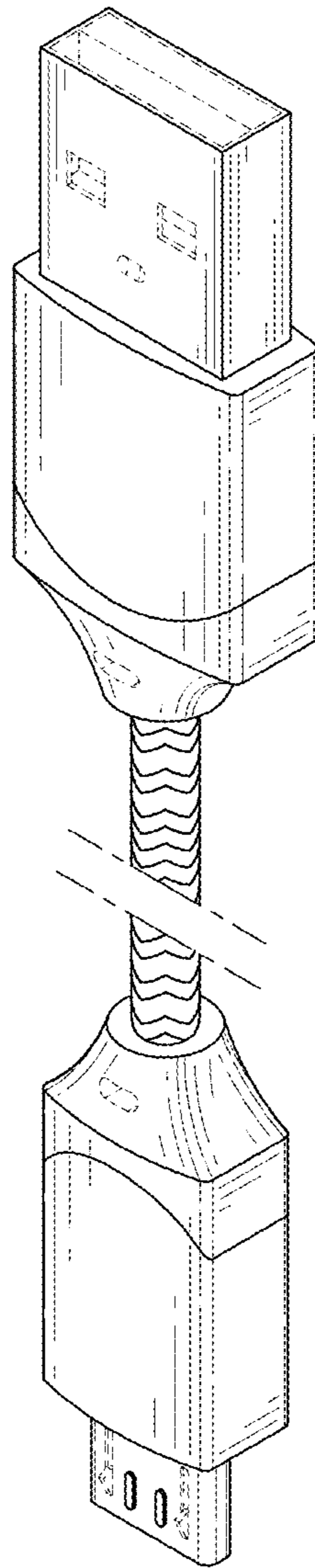


FIG. 9

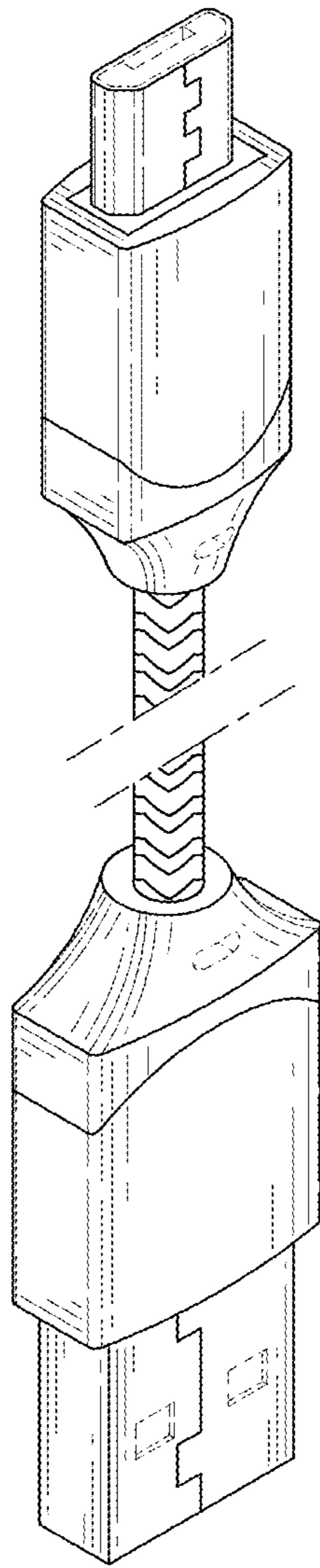


FIG. 10

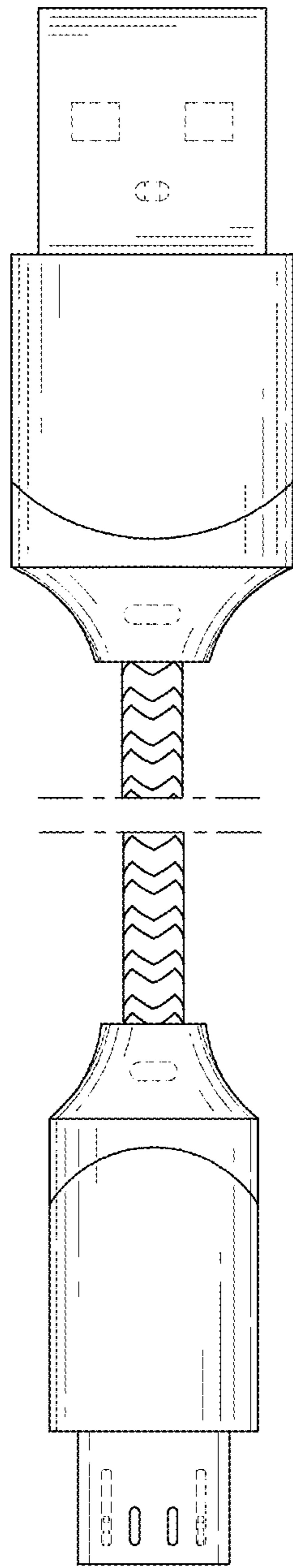


FIG. 11

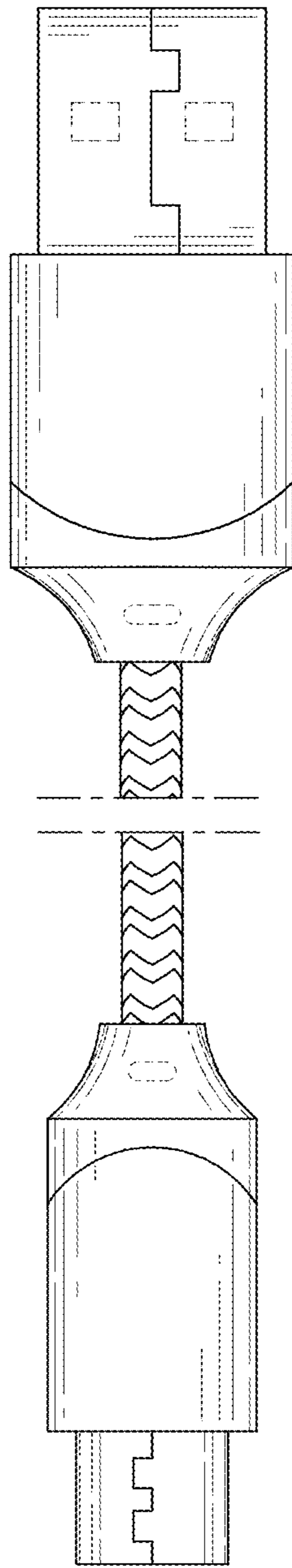


FIG. 12

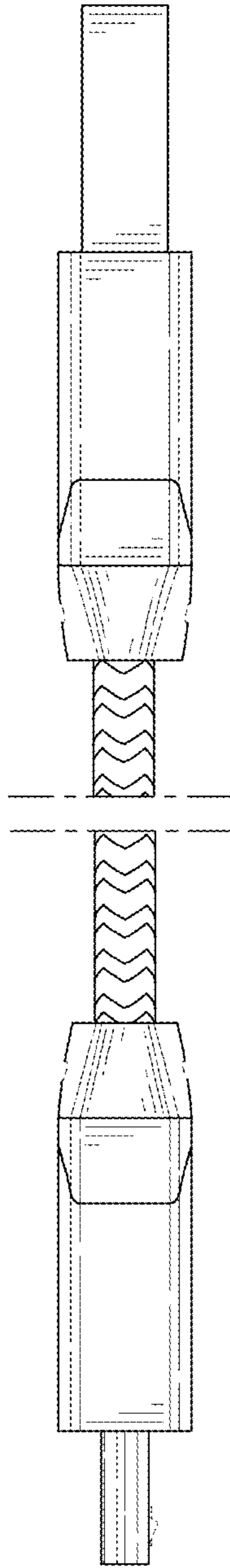


FIG. 13

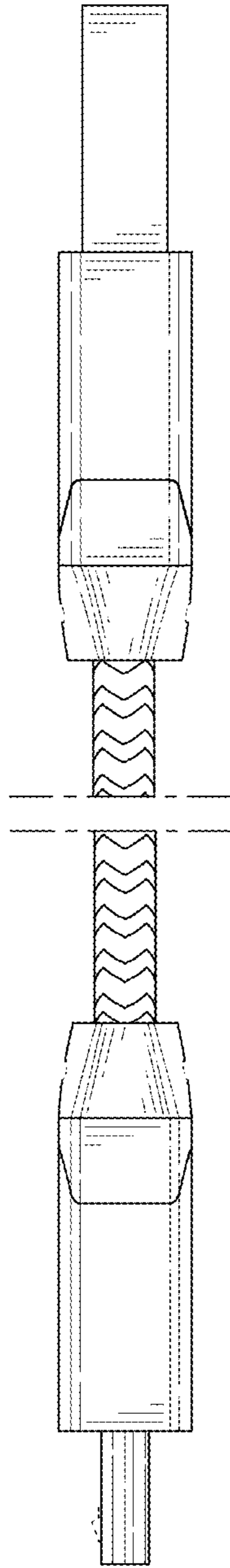


FIG. 14

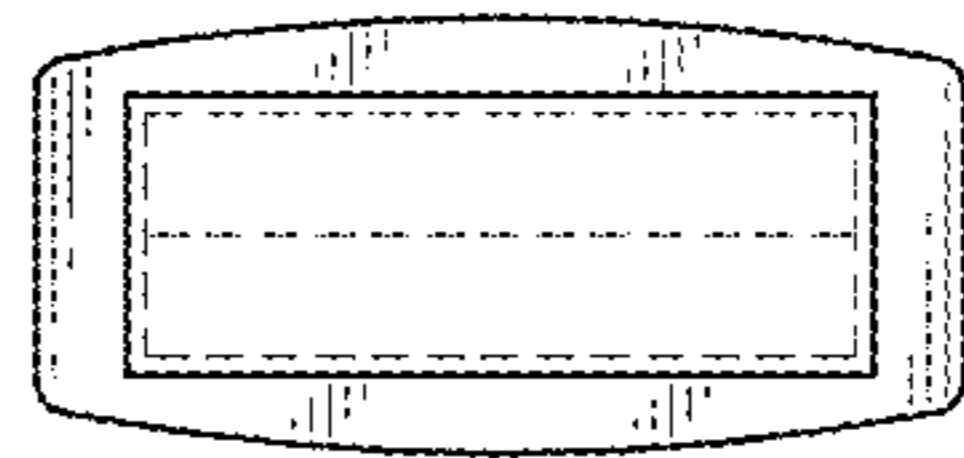


FIG. 15



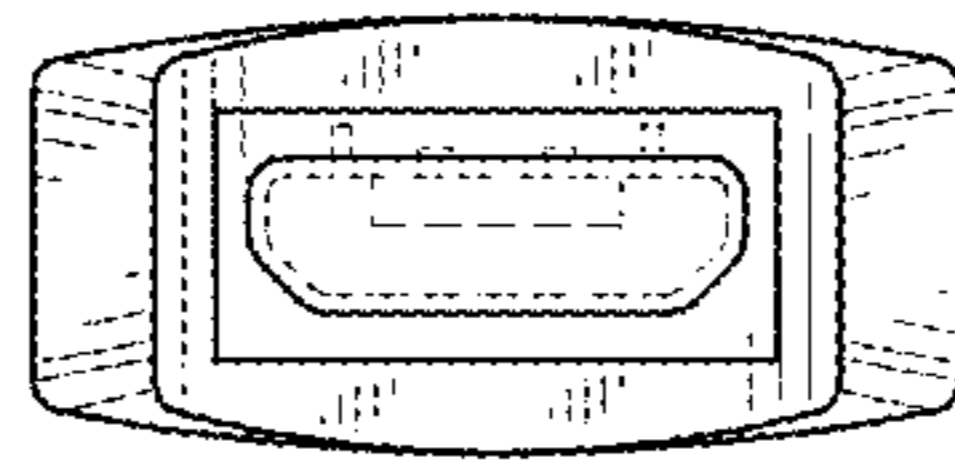


FIG. 16