



US00D898029S

(12) **United States Design Patent**  
**Peng et al.**

(10) **Patent No.:** **US D898,029 S**  
(45) **Date of Patent:** **\*\* Oct. 6, 2020**

(54) **PAPER SUPPORT**

(71) Applicant: **AVISION INC.**, Hsinchu (TW)

(72) Inventors: **Chao-Yu Peng**, Hsinchu (TW);  
**Chi-Yao Chen**, Miaoli County (TW);  
**Hsin-Chen Lee**, Hsinchu (TW)

(73) Assignee: **AVISION INC.**, Hsinchu (TW)

(\*\*) Term: **15 Years**

(21) Appl. No.: **29/602,720**

(22) Filed: **May 2, 2017**

(51) **LOC (12) Cl.** ..... **14-02**

(52) **U.S. Cl.**

USPC ..... **D14/422**; D14/453

(58) **Field of Classification Search**

USPC ..... D14/421-425; D18/40, 36-39, 41,  
D18/44-56; 235/462, 455, 470, 462.43,  
235/482, 483; 358/474, 486, 488, 496,  
358/498, 452, 449, 451, 453.1, 1.13, 497,  
358/296, 494, 492, 487, 482, 473;  
318/685, 696; 355/81, 75; 399/405, 367,  
399/379, 380; 382/217; 715/209, 222,  
715/226, 274; 400/613, 613.1-613.4,  
400/690.1-690.4, 691-694; D15/146;  
347/108

CPC ..... H04N 1/00; H04N 1/12; H04N 1/00013;  
H04N 1/00015; H04N 1/00018; H04N  
1/00026; H04N 1/00557; H04N 1/00564;  
H04N 1/00567; H04N 1/0057; H04N  
1/00572; H04N 1/00586; H04N 1/00588;  
H04N 1/00591; H04N 1/00594; H04N  
1/00596; H04N 1/00604; H04N 1/00519;  
H04N 1/00559; H04N 1/1013; H04N  
1/10; H04N 1/00551; H04N 1/00278;  
H04N 2201/0456; H04N 2201/0446;  
H04N 2201/00; H04N 2201/0094; G03G  
15/0142; G03G 15/605; G03G 15/602;  
B65H 5/26; B65H 5/30; B65H 7/00;  
B65H 2402/515;

(Continued)

(56) **References Cited**

U.S. PATENT DOCUMENTS

4,904,100 A \* 2/1990 Enix ..... B41J 3/36  
242/538.3

D321,898 S \* 11/1991 Kasee ..... D18/55  
(Continued)

FOREIGN PATENT DOCUMENTS

JP D1479673 S 9/2013

OTHER PUBLICATIONS

Taiwanese Office Action for corresponding application No. 107302259,  
dated Jul. 25, 2018.

*Primary Examiner* — Susan Moon Lee

(74) *Attorney, Agent, or Firm* — Maschoff Brennan

(57) **CLAIM**

The ornamental design for “paper support”, as shown and  
described.

**DESCRIPTION**

FIG. 1 is a bottom front left perspective view showing our  
new design;

FIG. 2 is a top rear right perspective view thereof;

FIG. 3 is a front view thereof;

FIG. 4 is a rear view thereof;

FIG. 5 is a left view thereof;

FIG. 6 is a right view thereof;

FIG. 7 is a top view thereof;

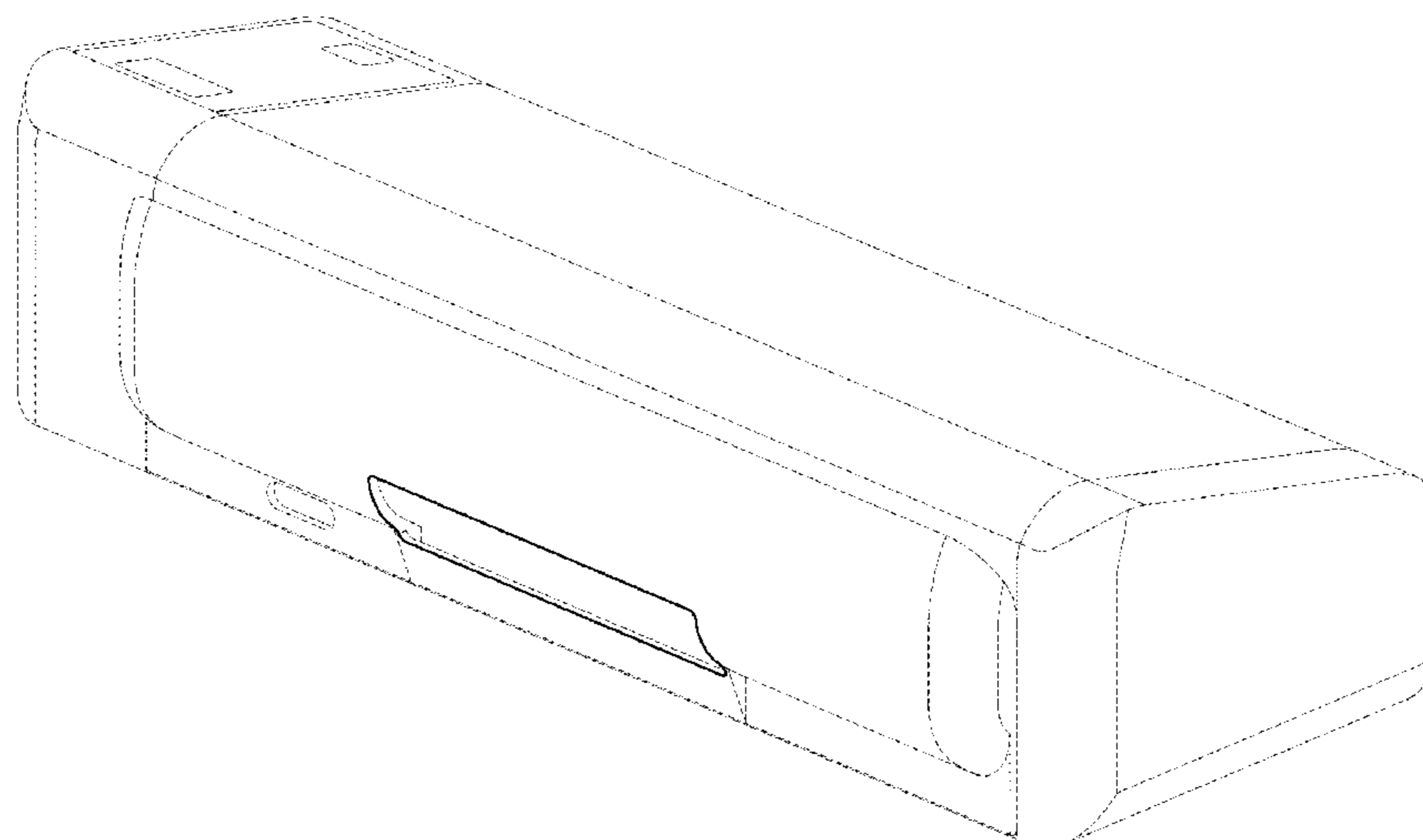
FIG. 8 is a bottom view thereof;

FIG. 9 is a top front right perspective view thereof showing  
our new design installed on a scanner; and,

FIG. 10 is a top rear right perspective view thereof showing  
our new design installed on a scanner.

The broken lines, which illustrate the environmental struc-  
ture of the claimed design, form no part of the claimed  
design.

**1 Claim, 8 Drawing Sheets**



(58) **Field of Classification Search**

CPC ..... B65H 2402/31; B65H 2511/20; B65H  
2511/414; B65H 2511/00194; B65H  
2511/00198; B65H 2511/00202; B65H  
2511/00206; B65H 2301/00; B65H  
2220/04; B65H 3/5261; B65H 2513/42;  
B65H 2801/39; B65H 2801/31; B41J  
2/32; B41J 11/0095; B41J 25/316

See application file for complete search history.

(56) **References Cited**

U.S. PATENT DOCUMENTS

5,236,265 A \* 8/1993 Saito ..... B41J 3/36  
312/208.1  
D370,008 S \* 5/1996 Cheng ..... D14/422

\* cited by examiner

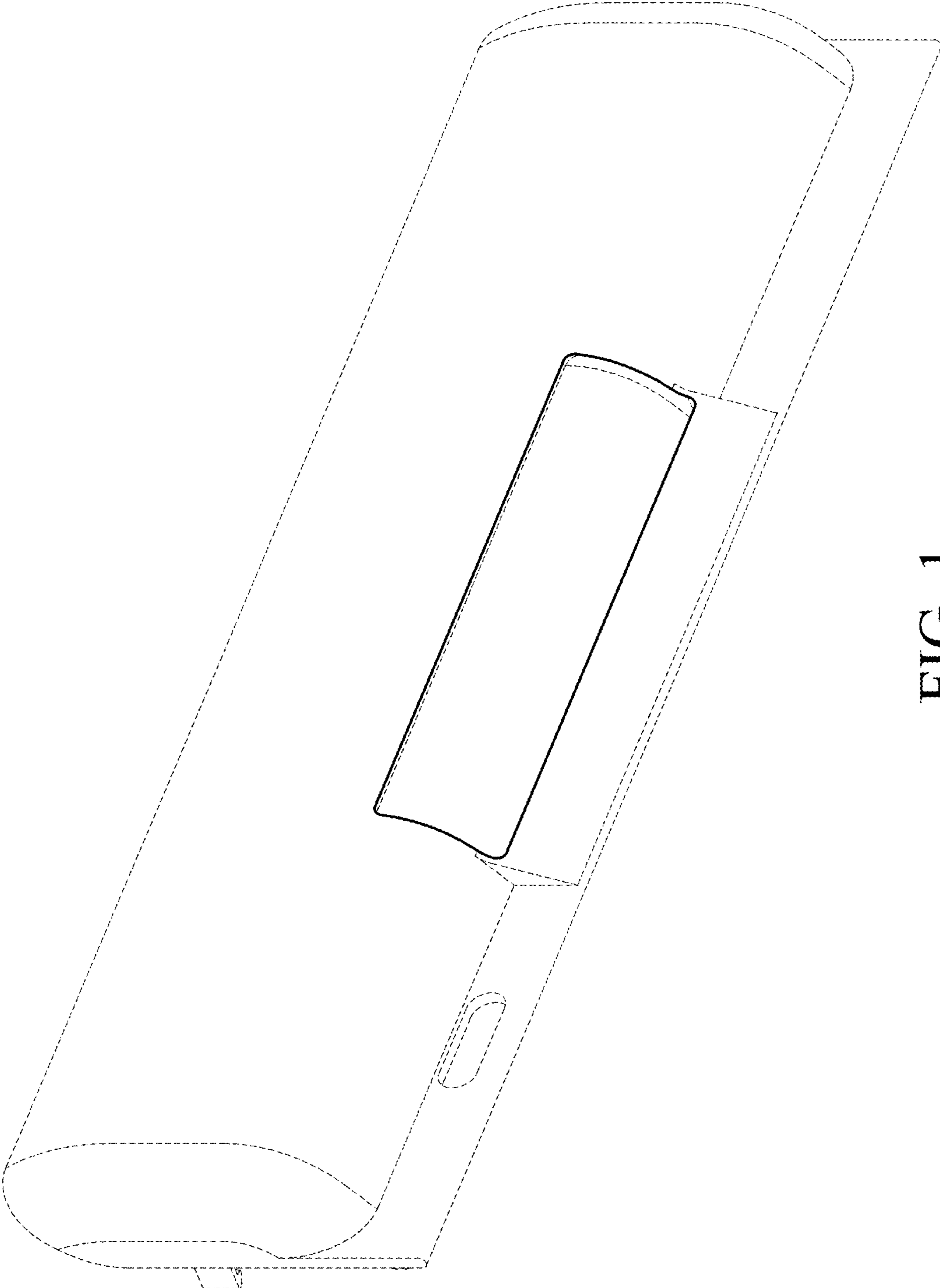


FIG. 1

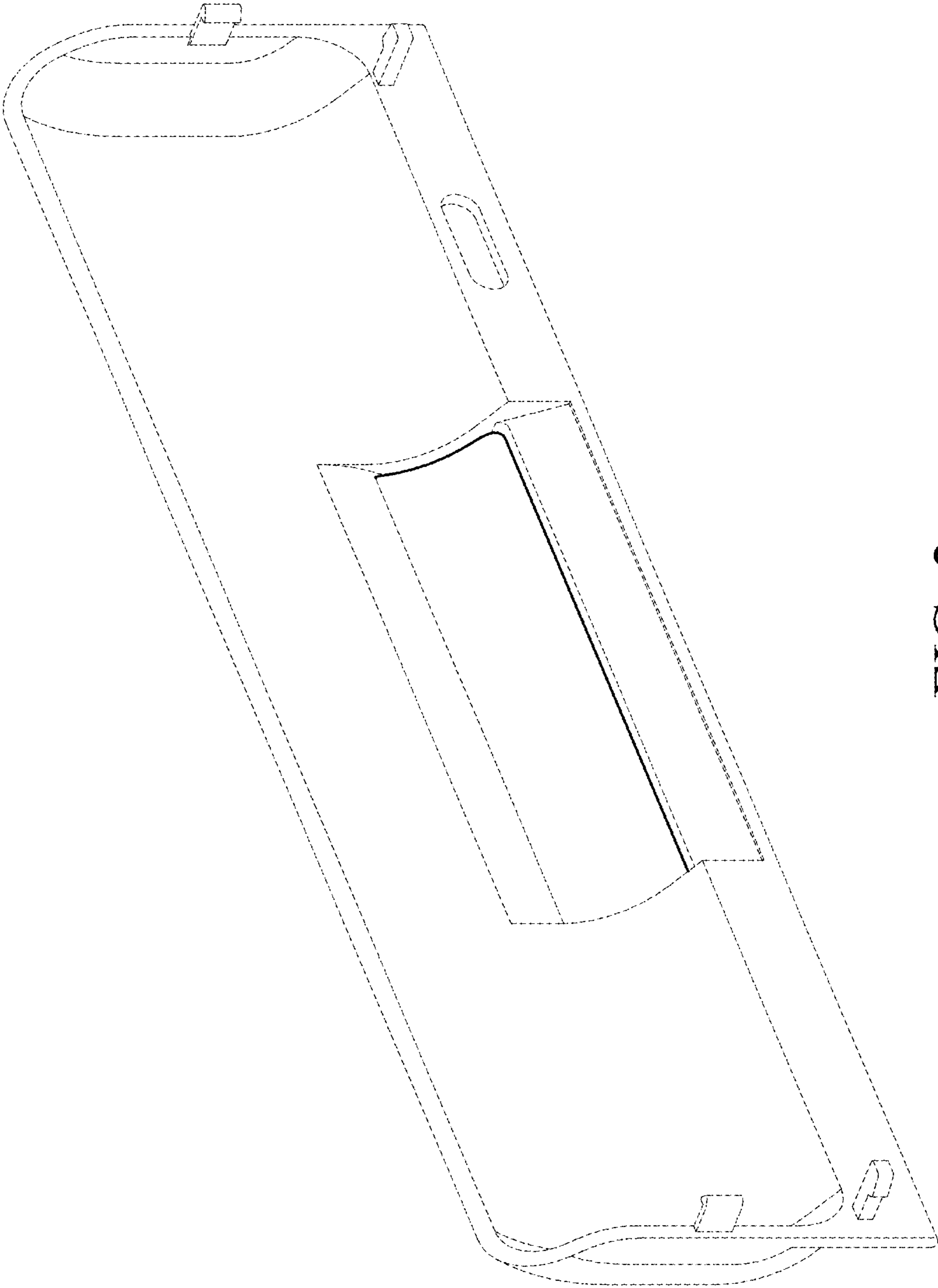


FIG. 2

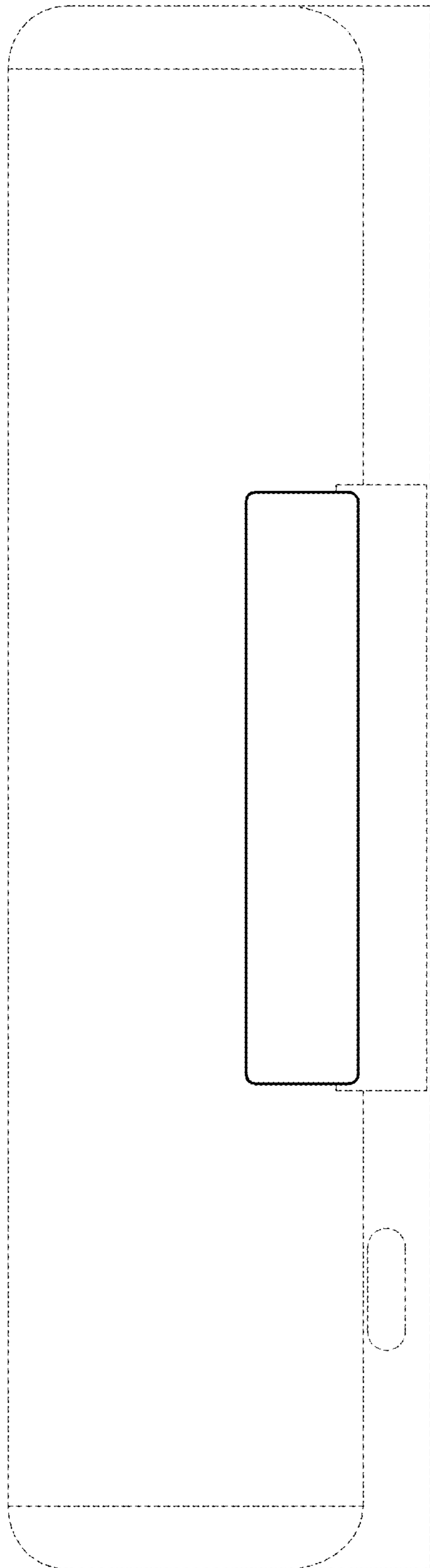


FIG. 3

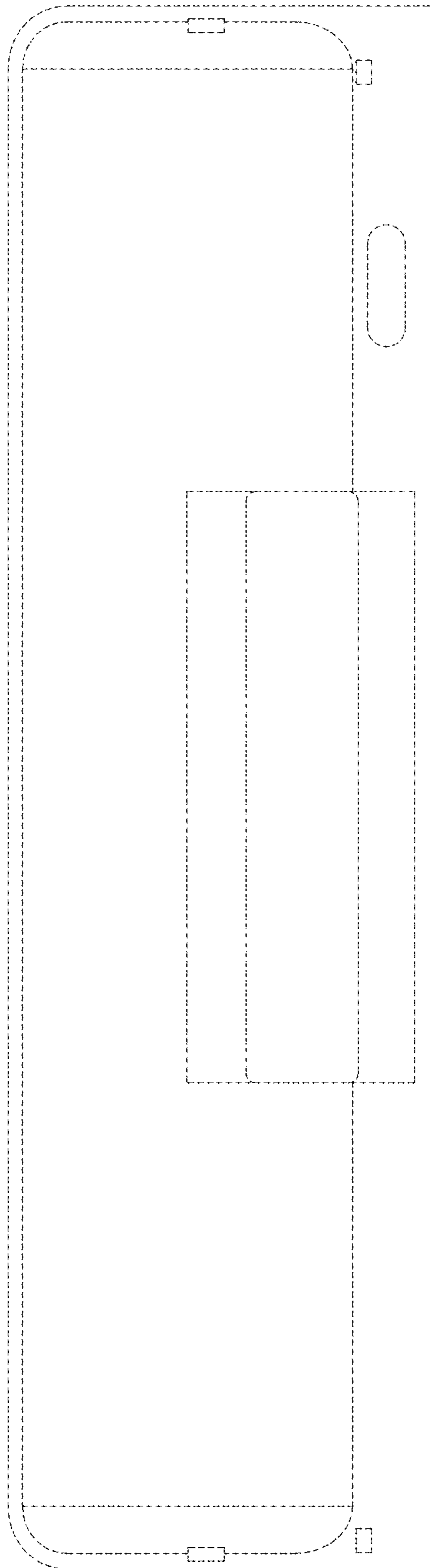


FIG. 4

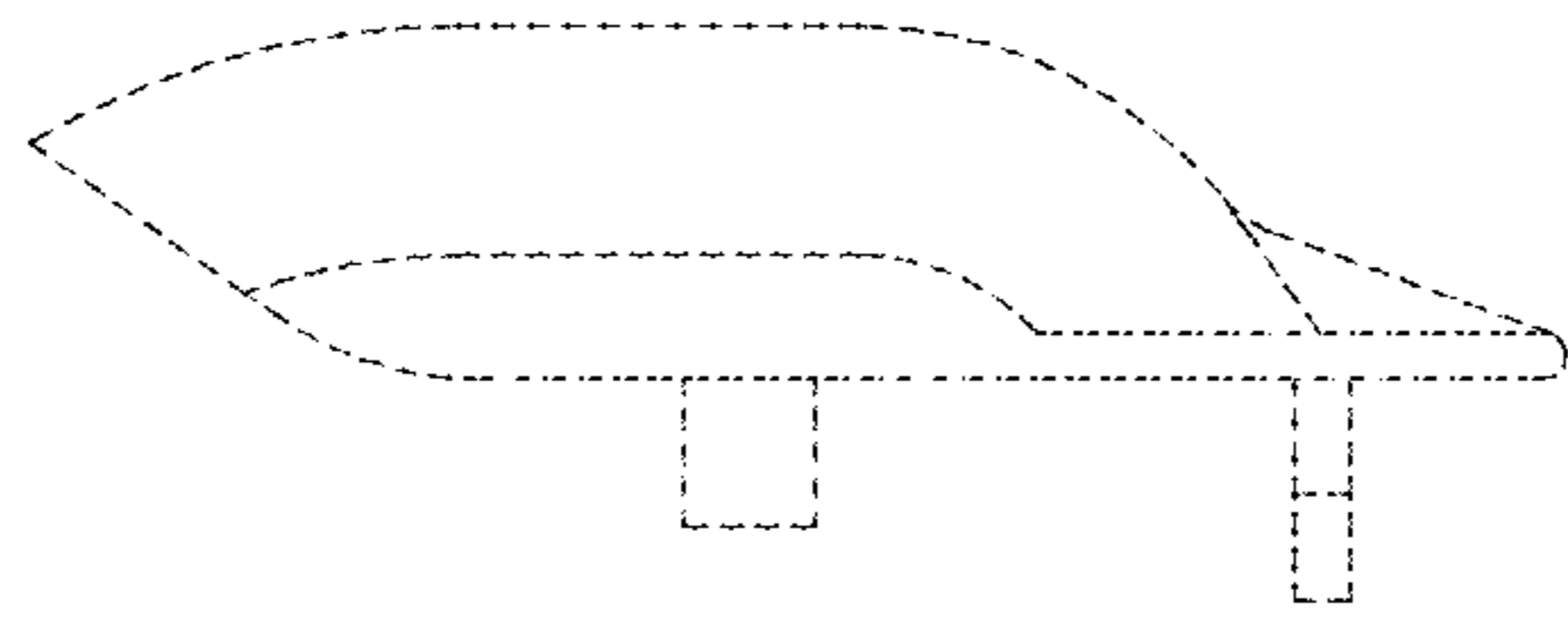


FIG. 5

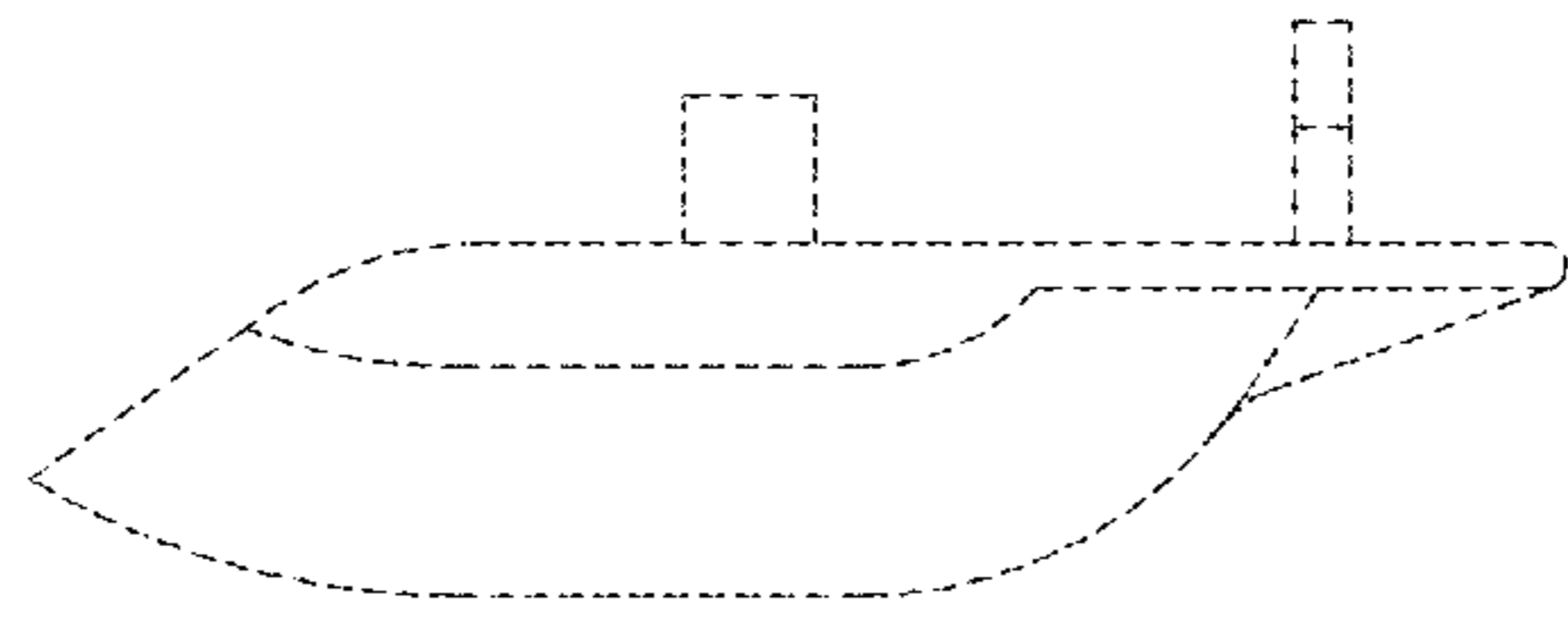


FIG. 6

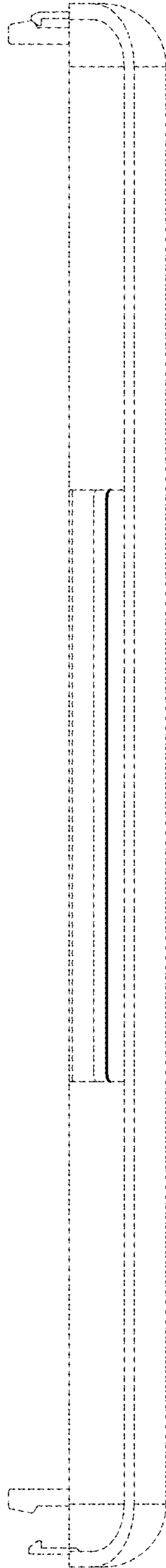


FIG. 7

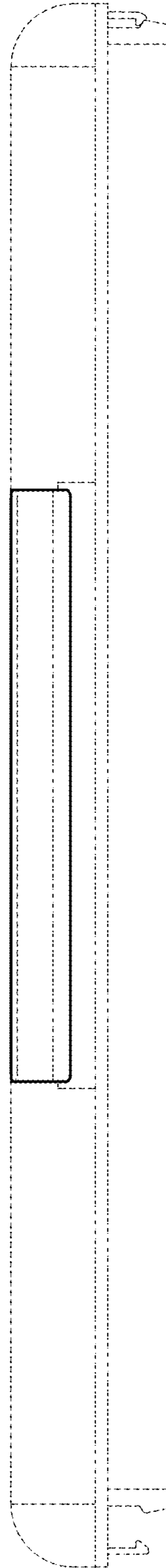


FIG. 8



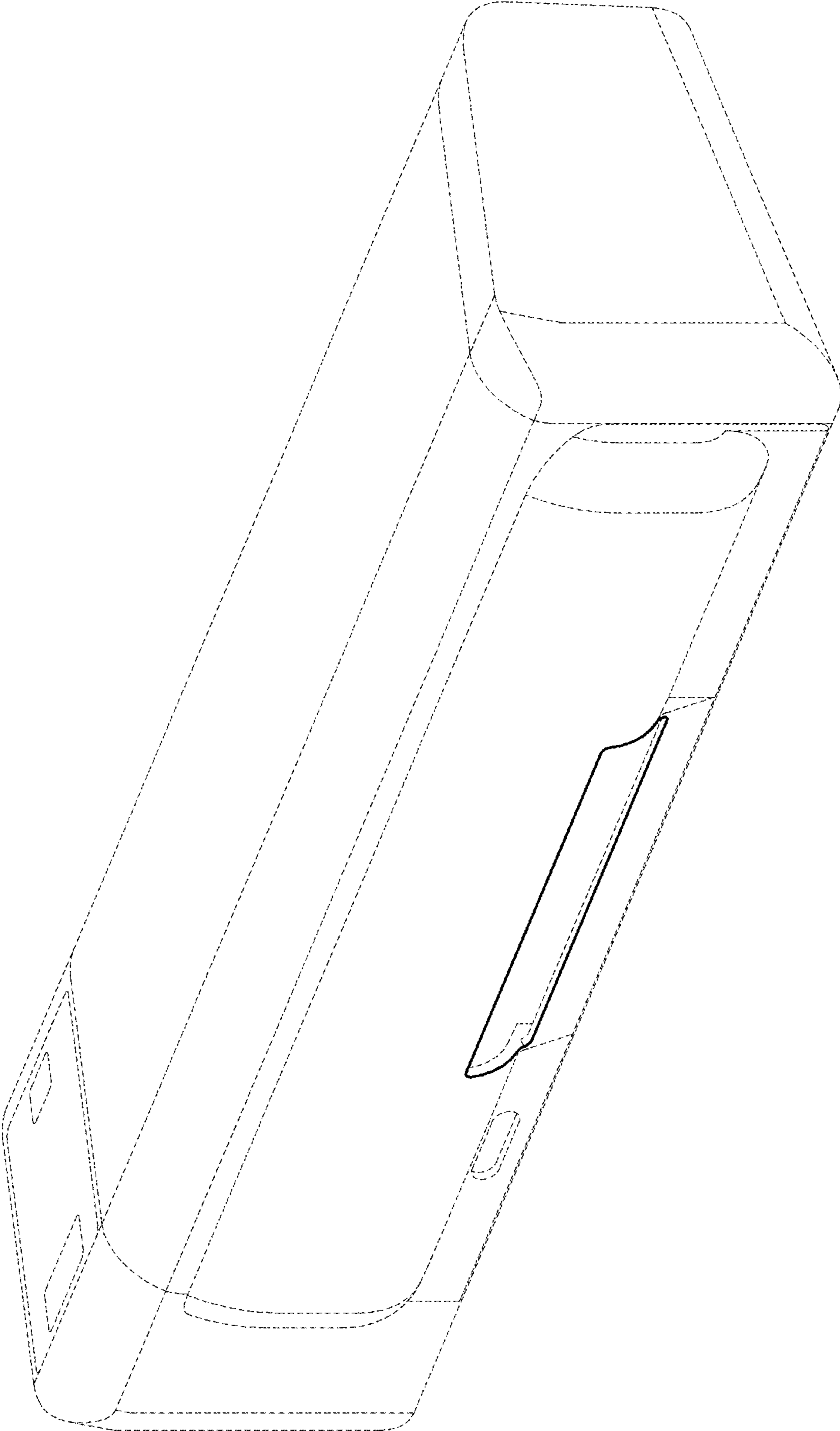


FIG. 9

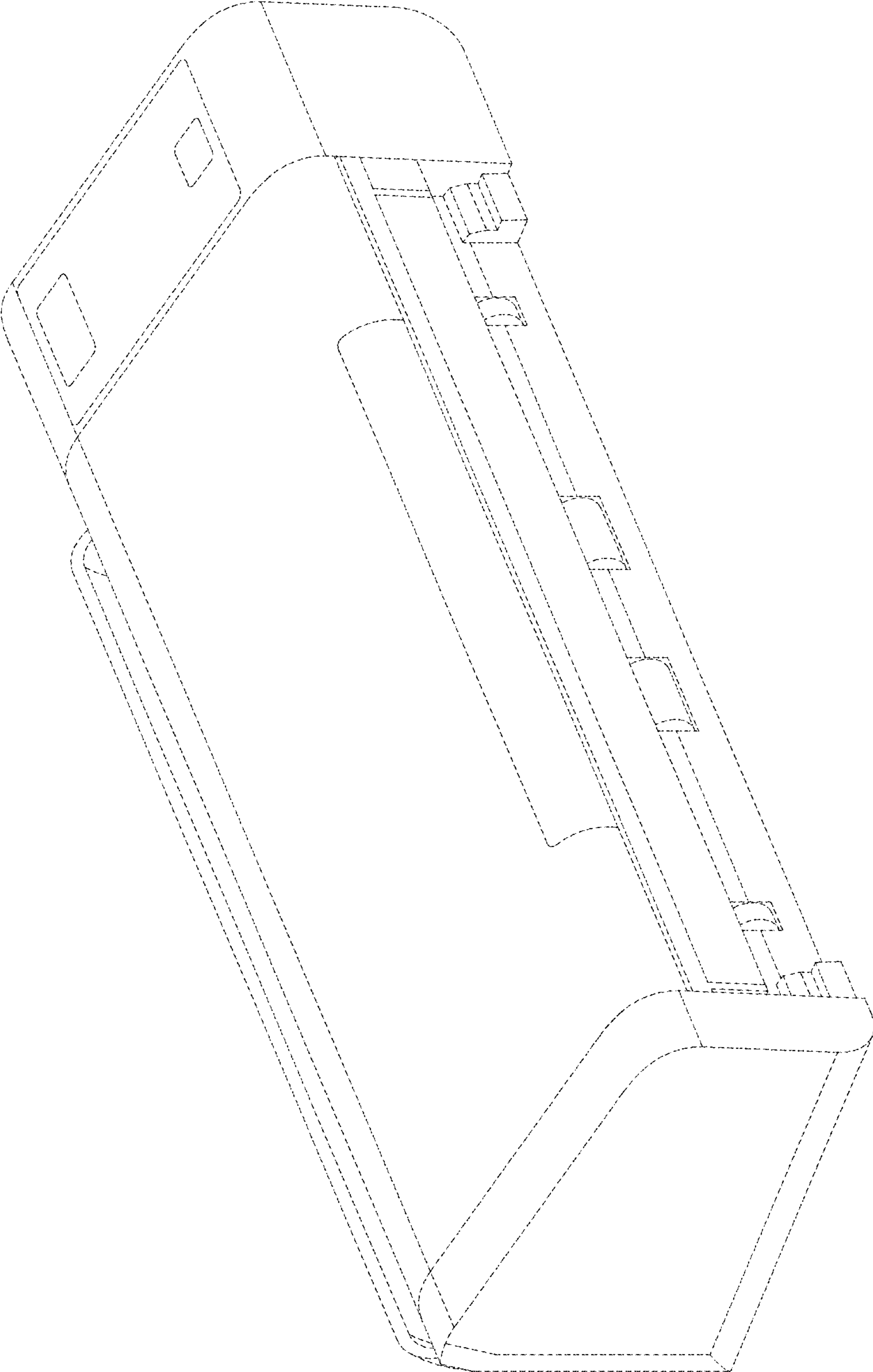


FIG. 10