



US00D898024S

(12) **United States Design Patent** (10) **Patent No.:** **US D898,024 S**  
**Lai et al.** (45) **Date of Patent:** **\*\* Oct. 6, 2020**

(54) **MONITOR**

(71) Applicant: **Kid Hippo, LLC**, San Francisco, CA (US)

(72) Inventors: **Stephanie Lai**, San Francisco, CA (US); **Dennis Liu**, San Francisco, CA (US); **Eran Weinberg**, Los Angeles, CA (US)

(73) Assignee: **LITTLEHIPPO, INC.**, Manhasset, NY (US)

(\*\*) Term: **15 Years**

(21) Appl. No.: **29/631,055**

(22) Filed: **Dec. 27, 2017**

(51) **LOC (12) Cl.** ..... **14-02**

(52) **U.S. Cl.**  
USPC ..... **D14/371**

(58) **Field of Classification Search**  
USPC ..... D14/195, 216, 228, 336, 348, 352, 362, D14/371, 380, 398; D25/102, 119,  
(Continued)

(56) **References Cited**

**U.S. PATENT DOCUMENTS**

D50,730 S 5/1917 Hoche  
D55,019 S 5/1920 Bennett  
(Continued)

**FOREIGN PATENT DOCUMENTS**

CN 301386346 \* 11/2010  
DE 20 2005 001 742 7/2005  
(Continued)

**OTHER PUBLICATIONS**

Kelvin Room Monitor, littlehippo, littlehippo.com, author and date not listed © 2019 LittleHippo, online, site visited Oct. 7, 2019. Available at URL: <https://littlehippo.com/collections/featured/products/kelvin> (Year: 2019).\*

(Continued)

*Primary Examiner* — Marissa J Cash

*Assistant Examiner* — Altaira J Swangin

(74) *Attorney, Agent, or Firm* — Myers Wolin, LLC

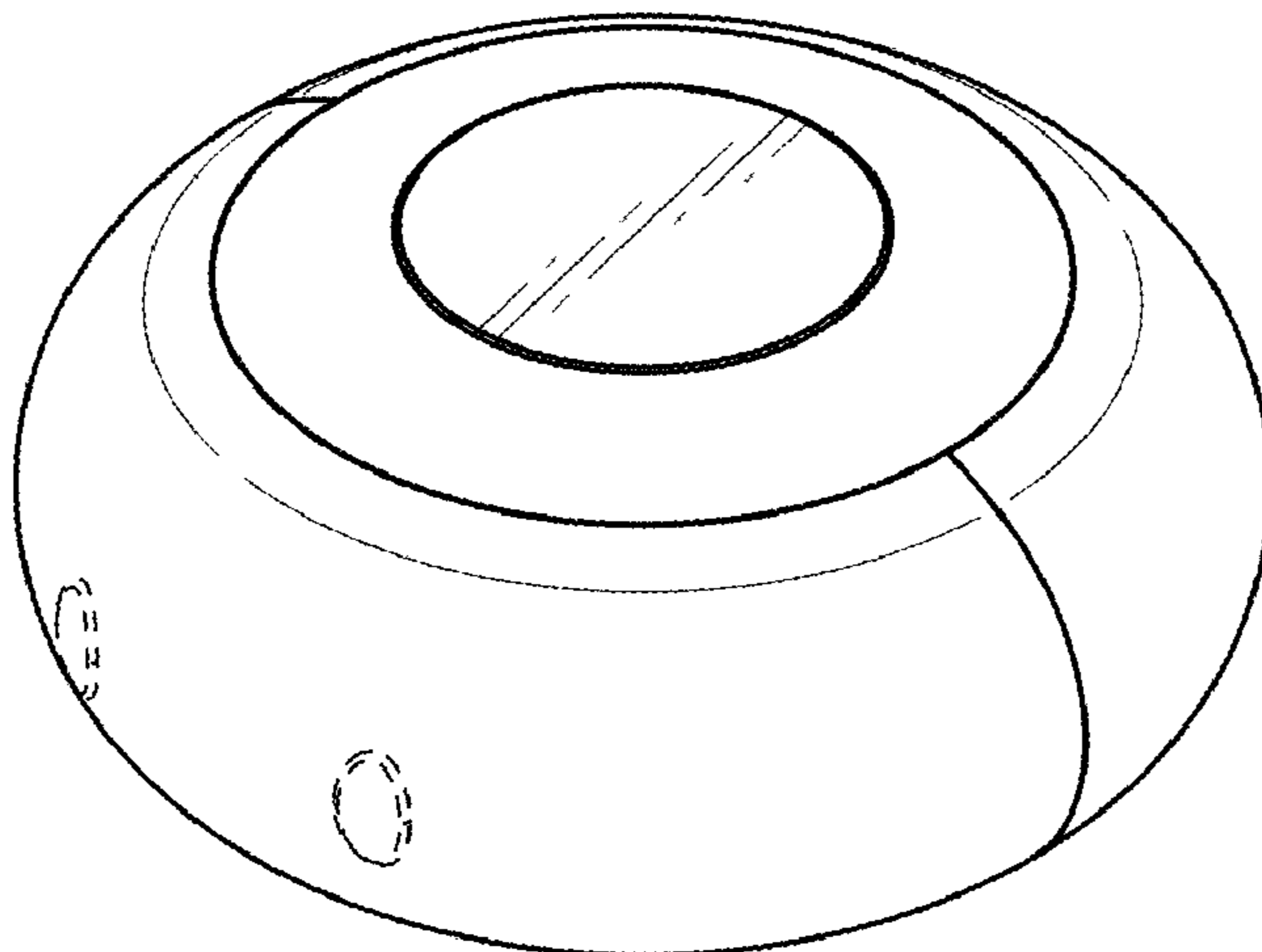
(57) **CLAIM**

The ornamental design for a monitor, as shown and described.

**DESCRIPTION**

FIG. 1 is a top perspective view of one embodiment of a monitor showing our new design;  
FIG. 2 is a bottom perspective view thereof;  
FIG. 3 is a front elevational view thereof;  
FIG. 4 is a left side elevational view thereof, the right side elevation being a mirror image thereof;  
FIG. 5 is a rear elevational view thereof;  
FIG. 6 is a top view thereof;  
FIG. 7 is a bottom view thereof;  
FIG. 8 is a top perspective view of a second embodiment of a monitor showing our new design;  
FIG. 9 is a bottom perspective view thereof;  
FIG. 10 is a front elevational view thereof;  
FIG. 11 is a left side elevational view thereof, the right side elevation being a mirror image thereof;  
FIG. 12 is a rear elevational view thereof;  
FIG. 13 is a top view thereof;  
FIG. 14 is a bottom view thereof;  
FIG. 15 is a top perspective view of a third embodiment of a monitor showing our new design;  
FIG. 16 is a bottom perspective view thereof;  
FIG. 17 is a front elevational view thereof;  
FIG. 18 is a left side elevational view thereof, the right side elevation being a mirror image thereof;  
FIG. 19 is a rear elevational view thereof;  
FIG. 20 is a top view thereof; and,  
FIG. 21 is a bottom view thereof.  
The broken lines represent portions of the monitor that form no part of the claimed design.

**1 Claim, 6 Drawing Sheets**



(58) **Field of Classification Search**  
 USPC ..... D25/126-127; D10/70, 106.5, 114.5,  
 D10/114.8; 381/120, 150; D23/355-356,  
 D23/359-360, 362  
 CPC ..... A61M 16/1045; A61M 16/047; A61M  
 16/16; G10K 9/22  
 See application file for complete search history.

(56) **References Cited**  
 U.S. PATENT DOCUMENTS

D97,453 S 11/1935 Bars  
 D98,769 S 3/1936 Horwitt  
 D153,420 S 4/1949 Dekanski  
 D190,749 S 6/1961 Marti et al.  
 D221,657 S \* 8/1971 Katzman ..... D23/362  
 D233,026 S 10/1974 Blessing  
 D237,198 S \* 10/1975 Dollen ..... D27/163  
 D276,703 S 12/1984 Au  
 D288,219 S 2/1987 Bedell  
 D312,408 S 11/1990 Isobe  
 D315,735 S 3/1991 Chu  
 D356,955 S 4/1995 Ping  
 D359,693 S 6/1995 Chung  
 D364,676 S \* 11/1995 Chiu ..... D23/356  
 D376,790 S \* 12/1996 Goulet ..... D14/408  
 D384,587 S 10/1997 Ohren  
 D392,901 S 3/1998 Mok  
 D395,833 S 7/1998 Richter  
 D406,774 S 3/1999 Sinisi  
 D415,159 S 10/1999 Nakano  
 D418,125 S \* 12/1999 Jobs ..... D14/408  
 D426,858 S 6/2000 Straus  
 D434,038 S \* 11/2000 Ho ..... D14/402  
 D436,106 S 1/2001 Mohamed  
 D437,236 S 2/2001 Hargrove, III  
 D439,376 S \* 3/2001 Lerolle ..... D28/82  
 D440,557 S 4/2001 Su  
 D450,049 S 11/2001 Lacotta  
 D460,362 S 7/2002 Kalman  
 D460,920 S 7/2002 Kalman  
 D465,470 S 11/2002 Ng  
 D466,101 S 11/2002 Hu  
 D466,822 S 12/2002 Li  
 D467,185 S 12/2002 Chen  
 D467,574 S 12/2002 Suzuki  
 D475,693 S 6/2003 Matsuoka  
 D478,562 S 8/2003 Hu  
 D478,890 S 8/2003 Ng  
 D482,017 S 11/2003 Ducreux  
 D483,730 S \* 12/2003 Shively ..... D14/509  
 D485,251 S 1/2004 Lee  
 6,726,112 B1 4/2004 Ho  
 D490,427 S 5/2004 Chiu  
 D490,798 S 6/2004 Esslinger  
 D491,073 S 6/2004 Chan  
 D491,913 S 6/2004 Chan  
 D494,633 S \* 8/2004 Nussberger ..... D21/324  
 D498,147 S 11/2004 Hampf  
 D500,296 S 12/2004 Zeitman  
 D500,449 S 1/2005 Olszowy  
 D500,998 S 1/2005 Inoue  
 D501,460 S 2/2005 Inoue  
 D502,935 S 3/2005 Esslinger  
 D510,926 S 10/2005 Jerome  
 D514,095 S \* 1/2006 Wilson ..... D14/223  
 D514,548 S 2/2006 Chan  
 D519,976 S 5/2006 Lee  
 D521,022 S \* 5/2006 Chen ..... D14/203.6  
 D521,620 S \* 5/2006 Tseng ..... D23/364  
 7,048,433 B1 5/2006 Bhavnani  
 D522,995 S \* 6/2006 Iijima ..... D14/509  
 D525,234 S \* 7/2006 Yokoyama ..... D14/509  
 D525,880 S 8/2006 Okamura  
 D527,017 S \* 8/2006 Kim ..... D14/203.6  
 D528,100 S \* 9/2006 Suzuki ..... D14/509  
 D531,061 S 10/2006 Oas

D531,159 S \* 10/2006 Park ..... D14/203.3  
 D532,768 S \* 11/2006 Lee ..... D14/509  
 7,149,152 B1 12/2006 Chan  
 D535,639 S \* 1/2007 Zeitman ..... D14/509  
 D537,004 S \* 2/2007 Eden ..... D10/70  
 D537,436 S 2/2007 Lye  
 D539,304 S \* 3/2007 Lee ..... D14/203.6  
 D540,291 S 4/2007 Heath  
 D545,296 S 6/2007 Yang  
 D551,651 S \* 9/2007 Sakai ..... D14/509  
 D554,614 S \* 11/2007 Lin ..... D14/509  
 D557,258 S 12/2007 Steindl  
 D561,732 S \* 2/2008 Motoishi ..... D14/509  
 D565,715 S \* 4/2008 Wu ..... D23/366  
 D567,673 S 4/2008 Chu  
 D576,636 S 9/2008 Wong  
 D579,428 S 10/2008 Lee  
 D584,898 S 1/2009 Chang  
 D588,022 S 3/2009 Hocherman  
 D596,506 S 7/2009 Fernie  
 D596,514 S \* 7/2009 Luzar ..... D10/65  
 D597,532 S 8/2009 Wang  
 D599,563 S 9/2009 Chu  
 D599,820 S 9/2009 Su  
 D600,569 S 9/2009 Sadler  
 D602,380 S 10/2009 Fernie  
 D607,877 S \* 1/2010 Yu ..... D14/216  
 D611,588 S \* 3/2010 Jorgensen ..... D23/366  
 D615,878 S 5/2010 Berliat  
 D616,415 S 5/2010 Lum  
 D616,861 S 6/2010 Lum  
 D626,147 S 10/2010 Goddard  
 D627,830 S 11/2010 Araki  
 D630,112 S \* 1/2011 Maruyama ..... D10/70  
 D632,265 S \* 2/2011 Choi ..... D13/168  
 D636,760 S \* 4/2011 Cheng ..... D14/216  
 7,932,482 B2 4/2011 Norwood  
 D639,779 S \* 6/2011 Chen ..... D14/216  
 D640,142 S 6/2011 Bedol  
 D642,157 S 7/2011 Holzer  
 D643,412 S \* 8/2011 Brady ..... D14/218  
 D645,846 S 9/2011 Mordechai  
 D649,237 S \* 11/2011 Bilko ..... D23/366  
 D655,632 S 3/2012 van der Lande  
 D656,130 S \* 3/2012 Bailey ..... D14/227  
 D663,420 S \* 7/2012 Presta ..... D24/169  
 D671,822 S 12/2012 van der Lande  
 D671,824 S 12/2012 van der Lande  
 D671,825 S 12/2012 van der Lande  
 D676,018 S 2/2013 Breines  
 D676,423 S 2/2013 Joseph  
 D690,285 S \* 9/2013 Breines ..... D14/207  
 8,569,971 B2 10/2013 Parker  
 D692,854 S 11/2013 Stabile  
 D696,967 S 1/2014 Mombauer  
 D697,800 S \* 1/2014 Villarreal ..... D28/82  
 D699,220 S \* 2/2014 Lee ..... D14/216  
 D711,351 S 8/2014 Breines  
 D717,298 S \* 11/2014 Sale ..... D14/371  
 D726,157 S 4/2015 Chang  
 D726,683 S 4/2015 Breines  
 D731,334 S \* 6/2015 Fiedler ..... D10/70  
 D743,941 S 11/2015 Patsis  
 9,197,951 B1 \* 11/2015 Yang ..... H04R 9/06  
 D752,807 S \* 3/2016 Young ..... D23/362  
 D753,279 S \* 4/2016 Li ..... D23/366  
 D756,326 S 5/2016 Holzer  
 D757,685 S 5/2016 Park  
 D765,617 S 9/2016 Mackiewicz  
 D773,332 S \* 12/2016 Kalyan ..... D10/106.5  
 D773,947 S \* 12/2016 Scarcella ..... D10/104.1  
 D775,233 S \* 12/2016 Beck ..... D14/203.6  
 D777,593 S \* 1/2017 Bolger ..... D10/106.5  
 D788,075 S \* 5/2017 Bailey ..... D14/204  
 D788,820 S \* 6/2017 Beck ..... D14/203.6  
 D790,510 S \* 6/2017 Xiao ..... D14/216  
 D796,355 S \* 9/2017 Cho ..... D10/70  
 D797,149 S \* 9/2017 Beck ..... D14/203.6  
 D797,575 S \* 9/2017 Lai ..... D10/22

(56)

References Cited

U.S. PATENT DOCUMENTS

D804,533 S \* 12/2017 Mangum ..... D14/496  
 D810,261 S \* 2/2018 Chen ..... D23/366  
 D810,263 S \* 2/2018 Lu ..... D23/366  
 D811,570 S \* 2/2018 Tang ..... D23/356  
 D813,366 S \* 3/2018 Tang ..... D23/366  
 D814,954 S \* 4/2018 Bolger ..... D10/106.5  
 D816,994 S \* 5/2018 Fischer ..... D3/294  
 D820,123 S \* 6/2018 Chou ..... D10/70  
 D820,125 S \* 6/2018 Chen ..... D10/70  
 D820,126 S \* 6/2018 Chen ..... D10/70  
 D820,318 S \* 6/2018 Mullins ..... D14/496  
 D824,010 S \* 7/2018 Lu ..... D23/366  
 D826,748 S \* 8/2018 Kim ..... D10/70  
 D829,112 S \* 9/2018 Dumont ..... D10/47  
 D829,877 S \* 10/2018 Liu ..... D23/366  
 D850,939 S \* 6/2019 Siminoff ..... D10/53  
 D856,501 S \* 8/2019 Netkin ..... D23/366  
 D859,363 S \* 9/2019 Chalabi ..... D14/216  
 D859,364 S \* 9/2019 Chalabi ..... D14/216  
 D862,417 S \* 10/2019 Chalabi ..... D14/216  
 D862,671 S \* 10/2019 Zhou ..... D23/356  
 D866,518 S \* 11/2019 Ding ..... D14/216  
 D870,896 S \* 12/2019 Komaki ..... D24/186  
 D871,372 S \* 12/2019 Wang ..... D14/216  
 D875,085 S \* 2/2020 Sahlin ..... D14/228  
 D876,400 S \* 2/2020 Russo ..... D14/228  
 D883,329 S \* 5/2020 Shi ..... D14/496

2013/0028457 A1\* 1/2013 Yeh ..... H04R 1/10  
 381/334  
 2013/0174842 A1\* 7/2013 Young ..... A61L 9/032  
 128/203.14  
 2014/0158129 A1\* 6/2014 Pratt, Jr. .... A61M 16/0078  
 128/203.26

FOREIGN PATENT DOCUMENTS

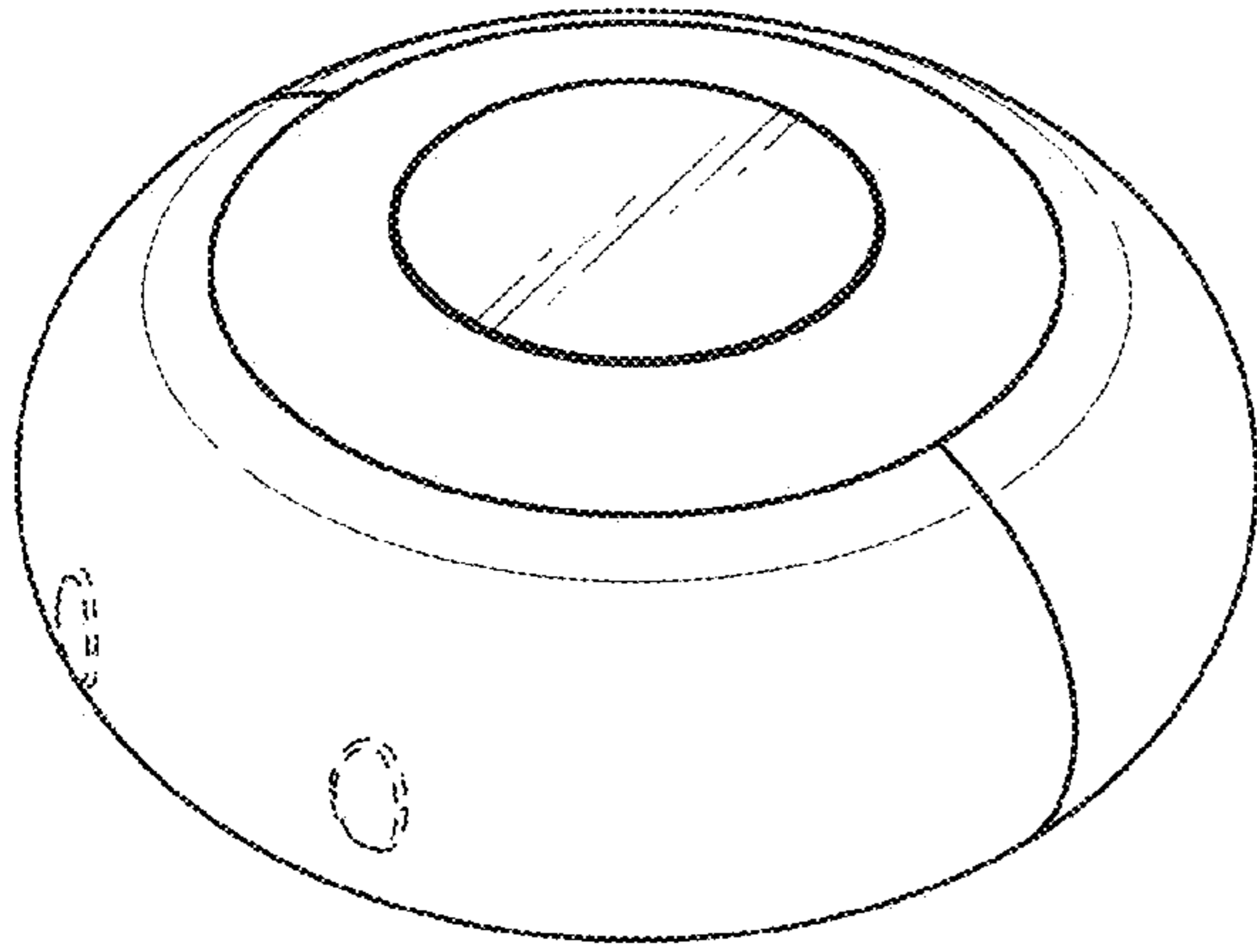
FR 2 814 801 5/2005  
 JP D1147563 \* 7/2002  
 KR 300912244.0000 \* 6/2017

OTHER PUBLICATIONS

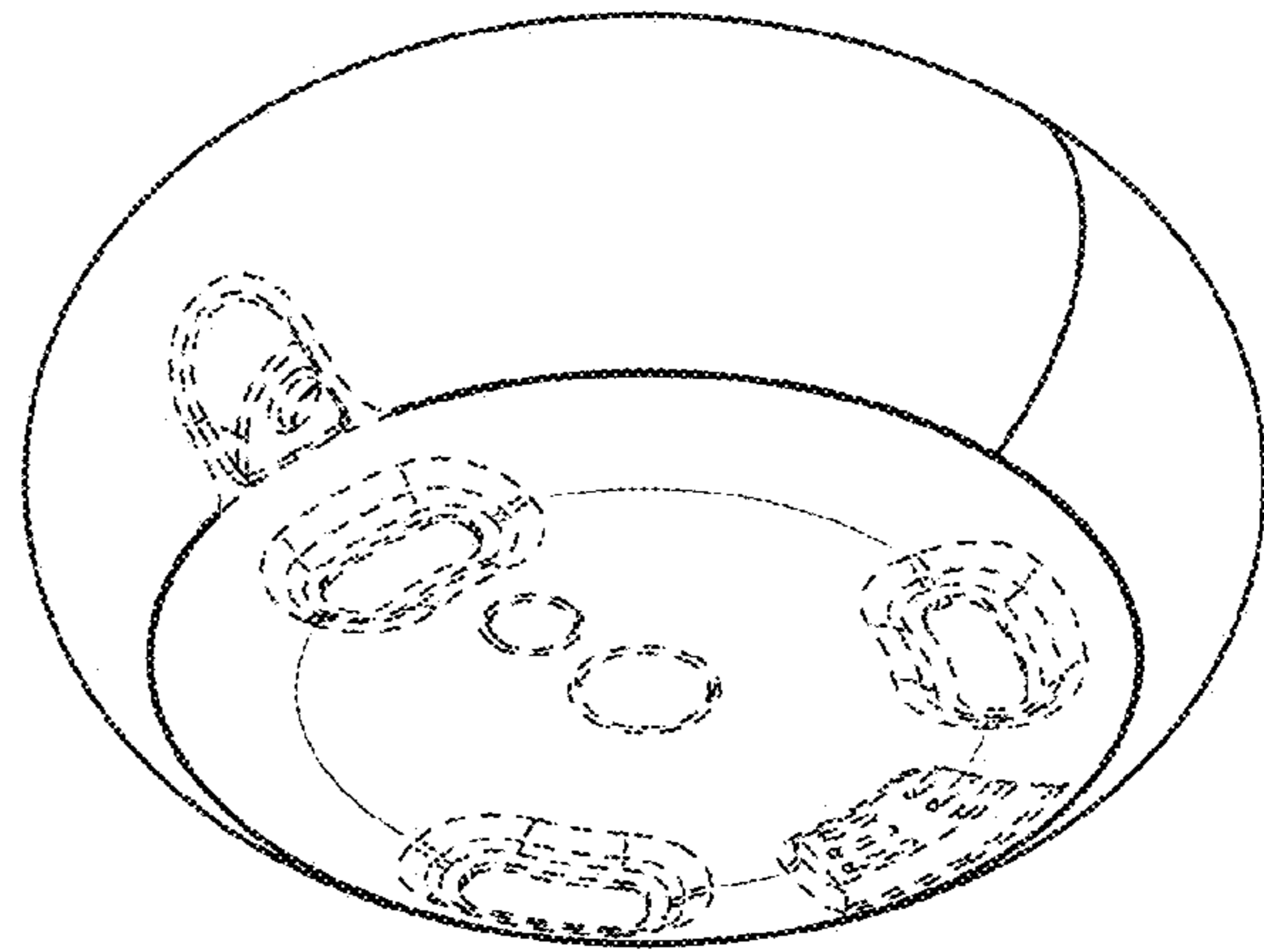
Outdoor Bluetooth Speaker Monitor, MiFa, nis-store.com, author not listed, posted Apr. 15, 2016 per wayback machine © not listed, online, site visited Feb. 7, 2020. Available at URL: <https://nis-store.com/portable-speakers/xiaomi-mifa-outdoor-bluetooth-speaker-yellow/> (Year: 2016).\*

Call Button, CallToU, amazon.com, posted by CallToU on Nov. 30, 2017 © 1996-2020, Amazon.com, Inc. online, site visited Feb. 7, 2020. Available at URL: [https://www.amazon.com/gp/product/B077VMC89R/ref=as\\_li\\_tl?ie=UTF8&tag=altoday-20&camp=1789&creative=9325&linkCode=as2&creativeASIN=B077VMC89R](https://www.amazon.com/gp/product/B077VMC89R/ref=as_li_tl?ie=UTF8&tag=altoday-20&camp=1789&creative=9325&linkCode=as2&creativeASIN=B077VMC89R) . . . (Year: 2017).\*

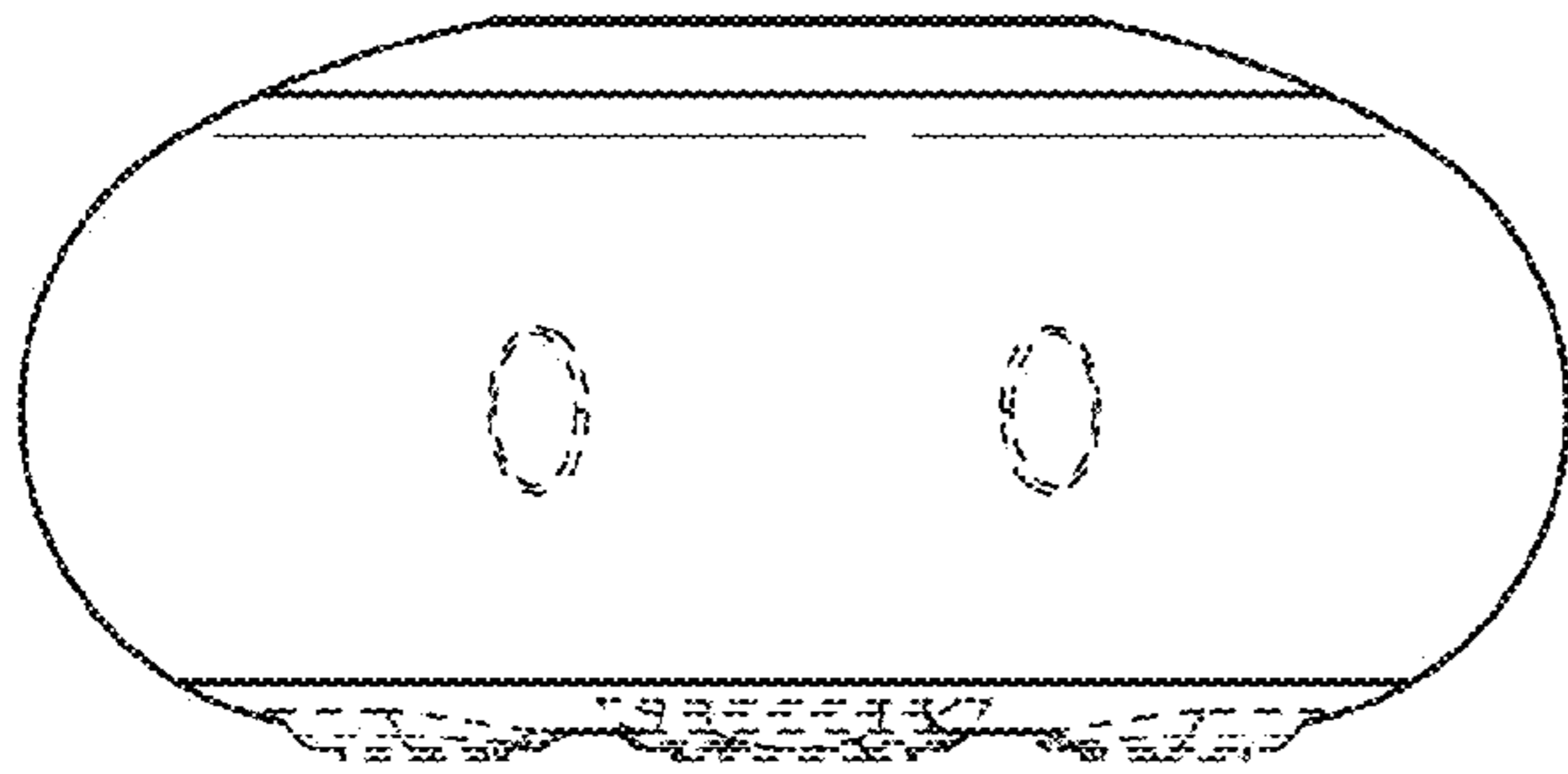
\* cited by examiner



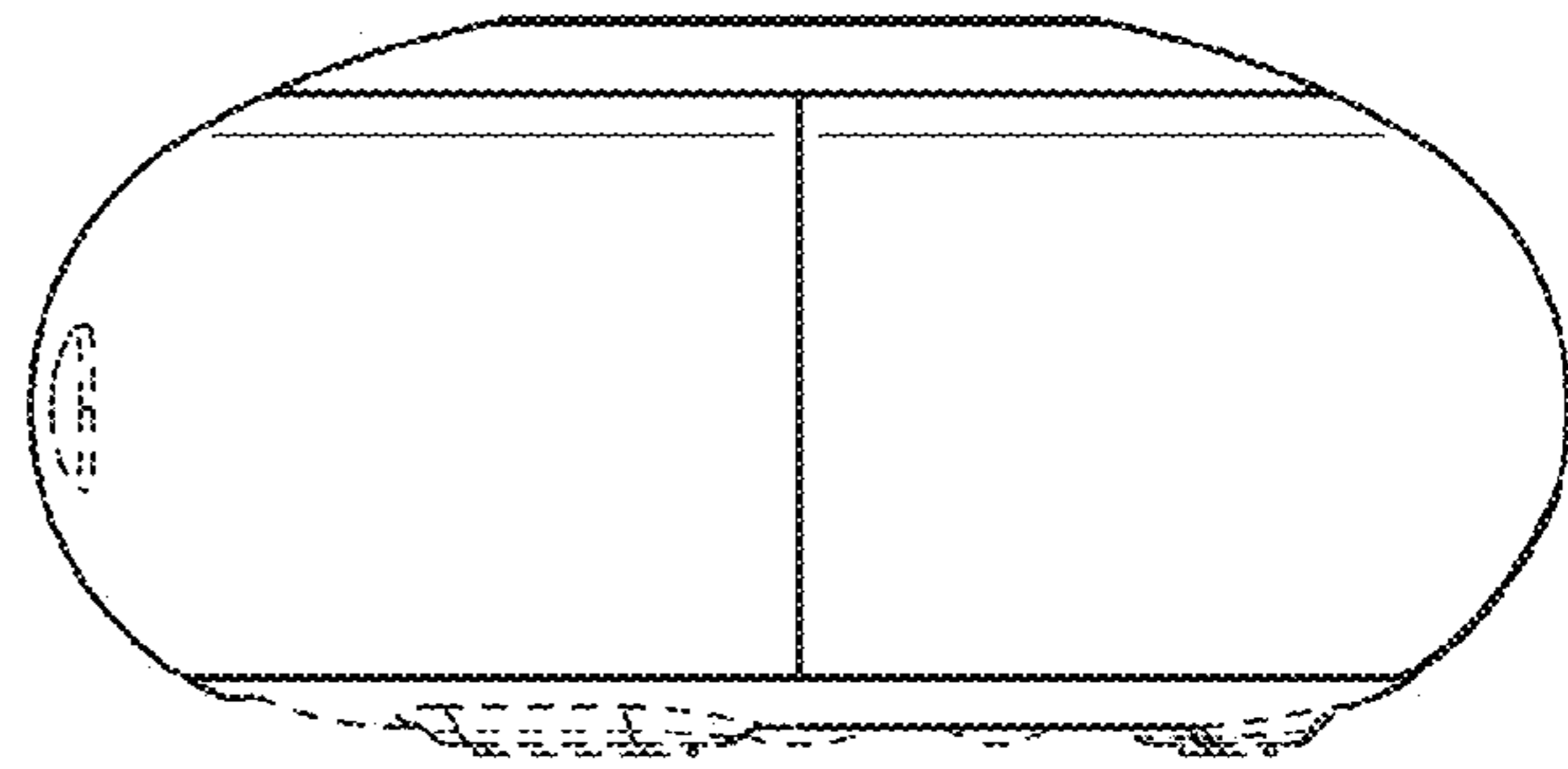
*FIG. 1*



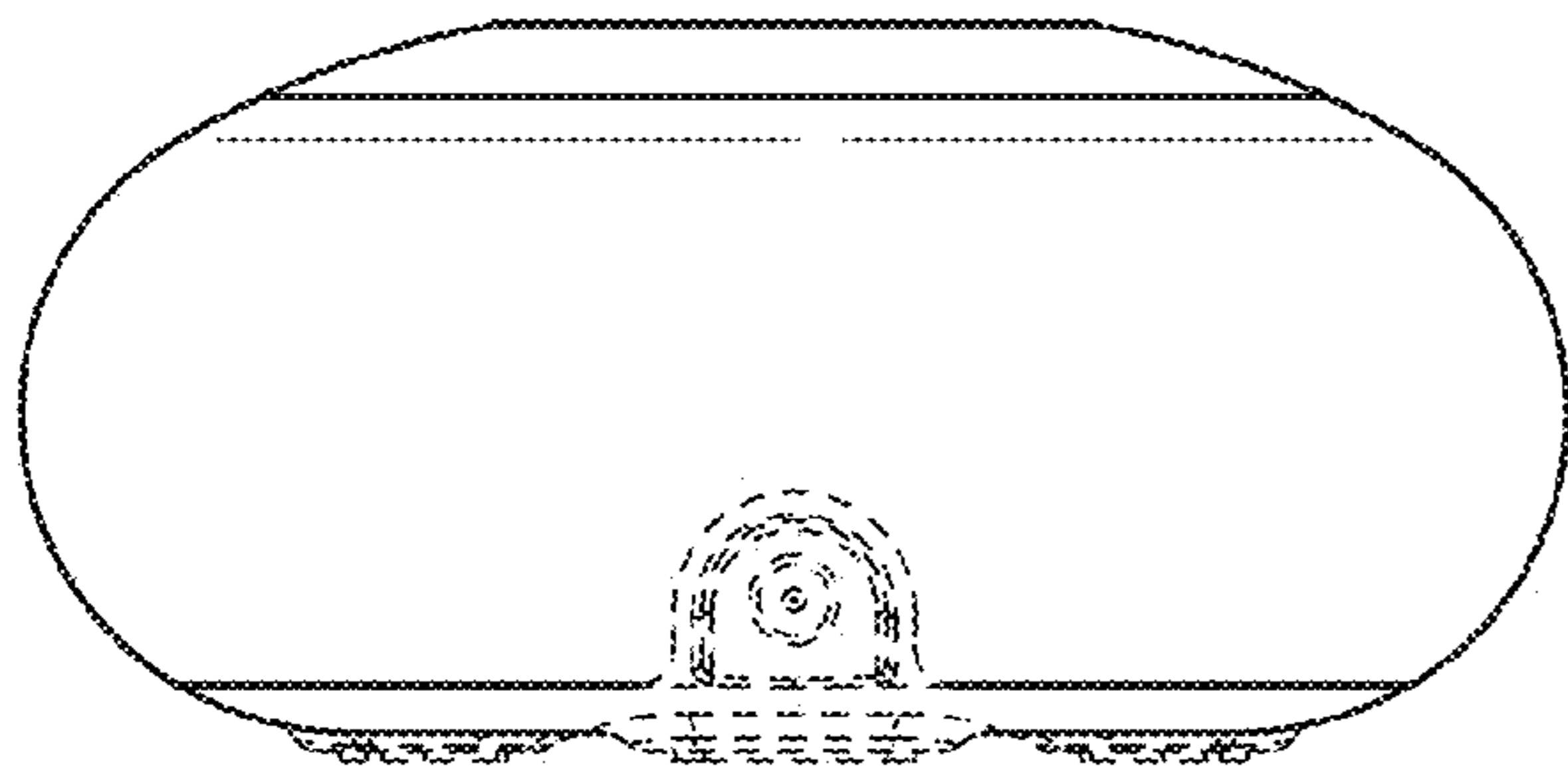
*FIG. 2*



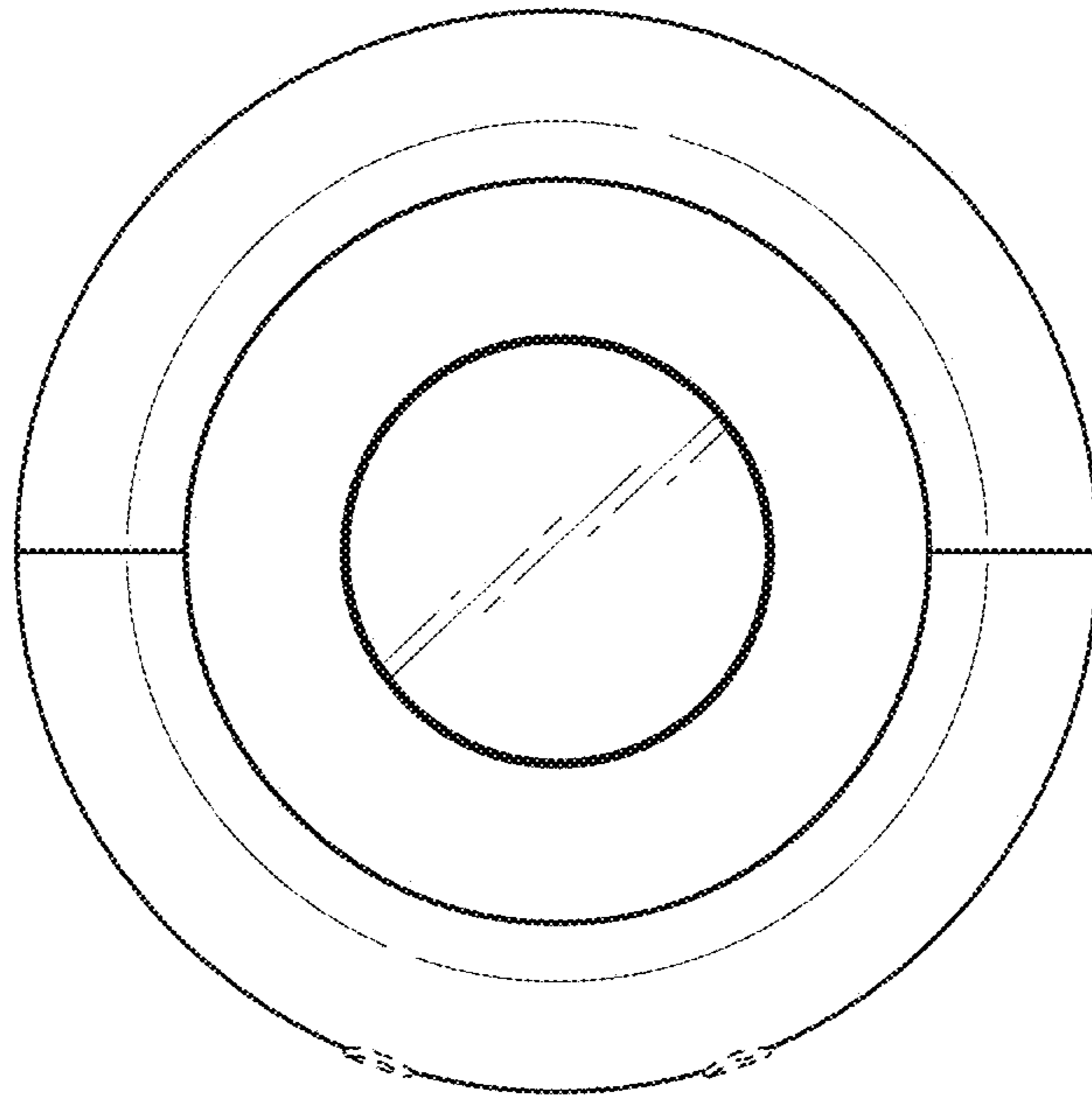
*FIG. 3*



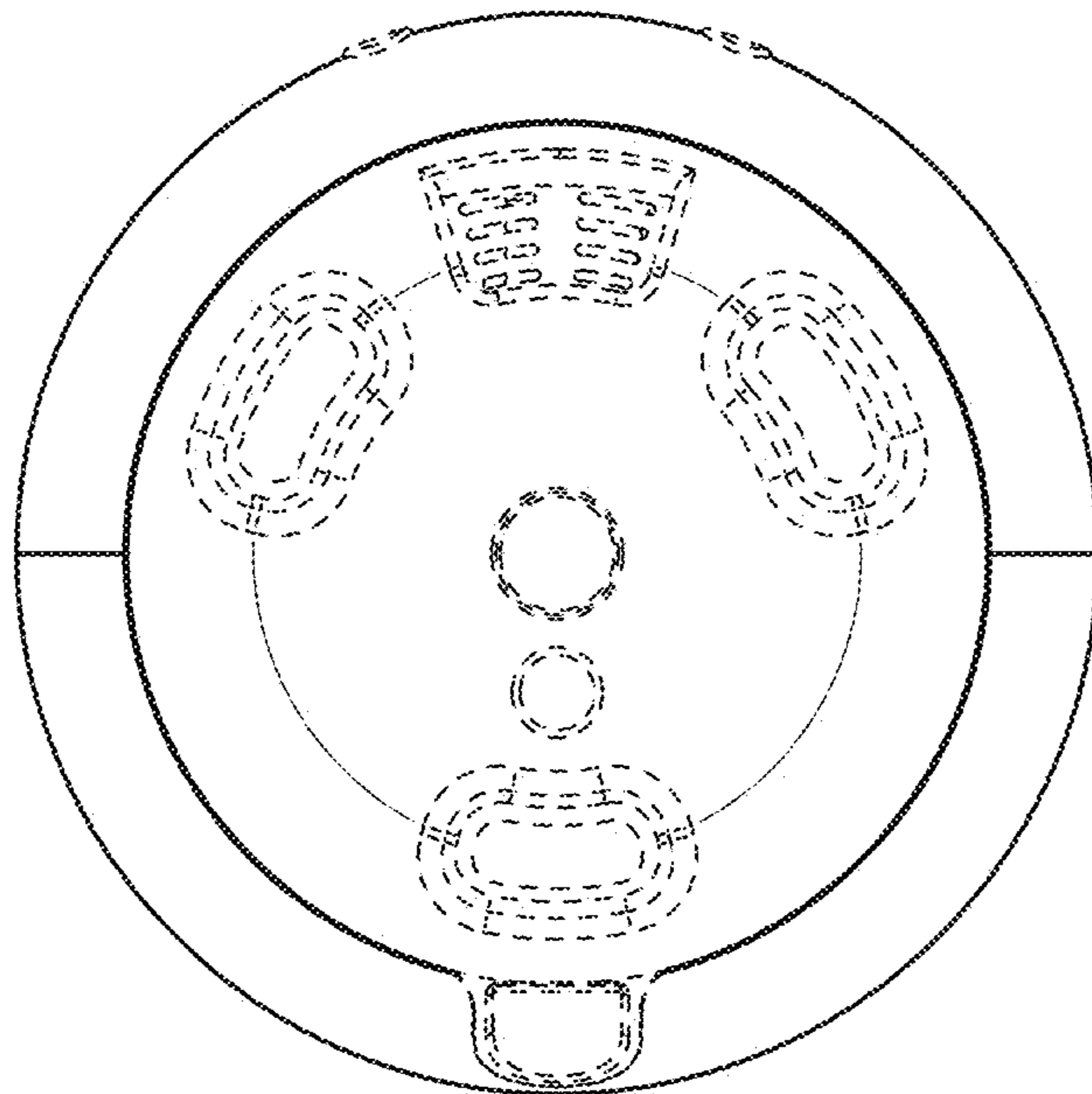
*FIG. 4*



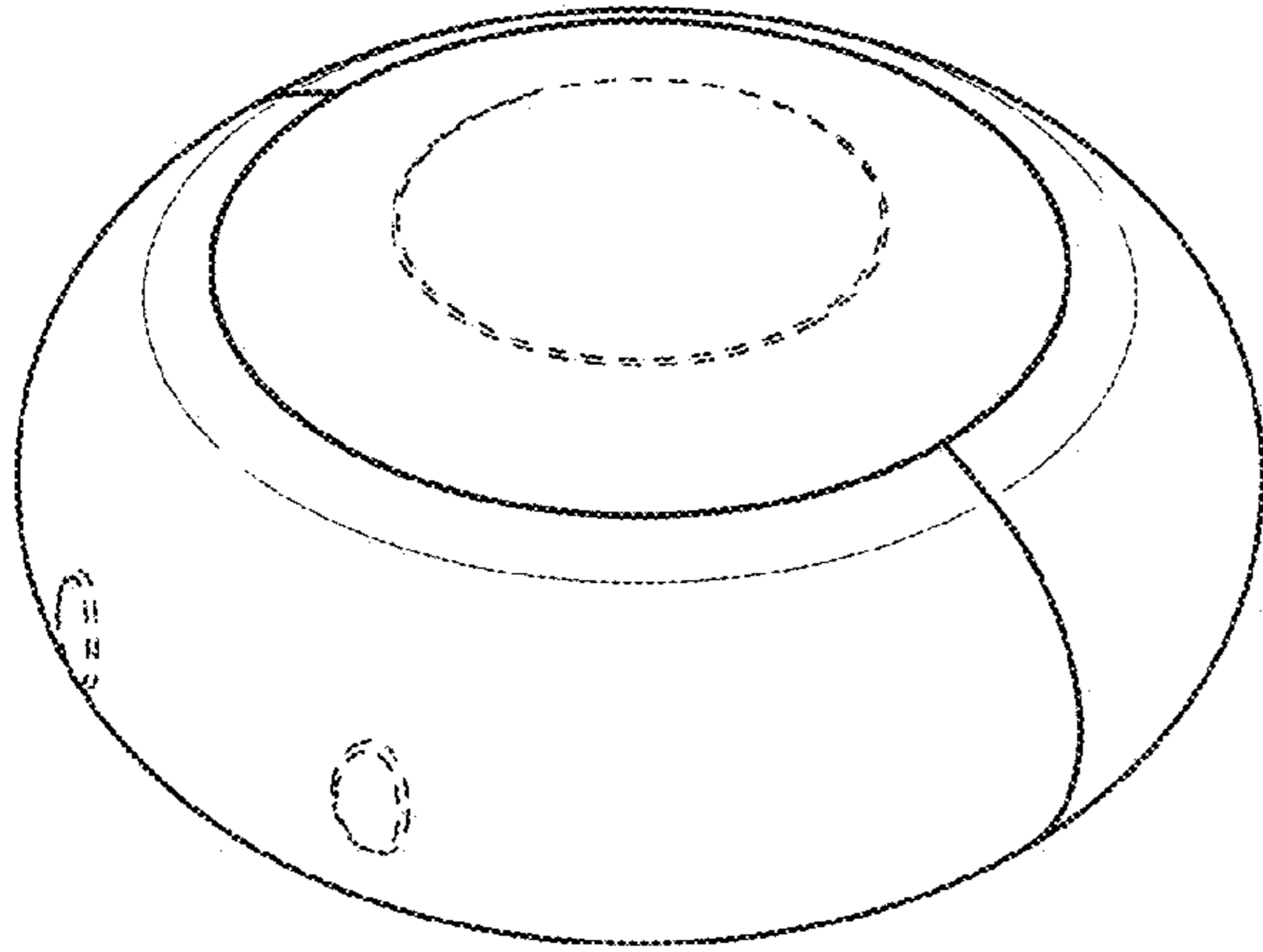
*FIG. 5*



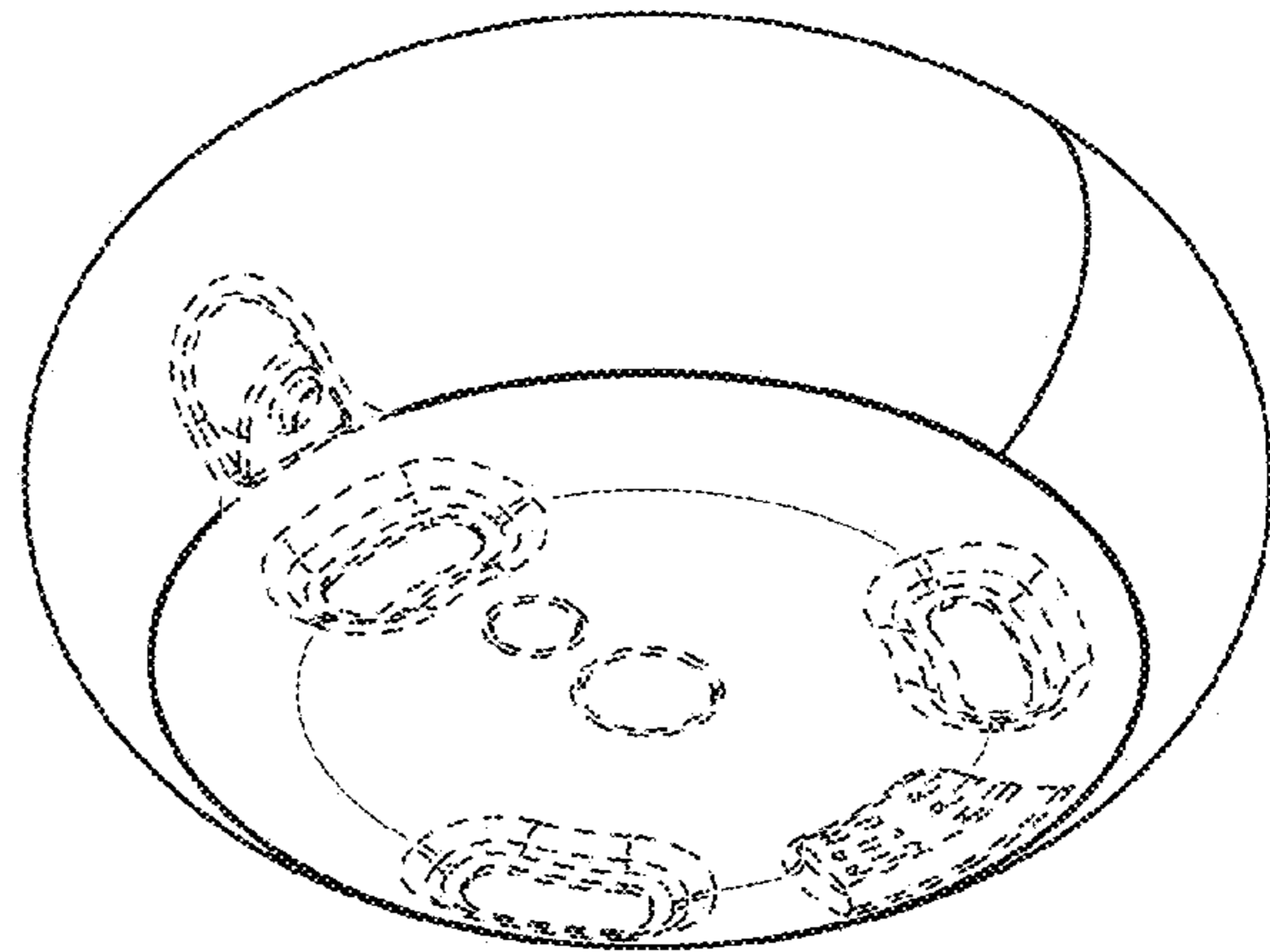
*FIG. 6*



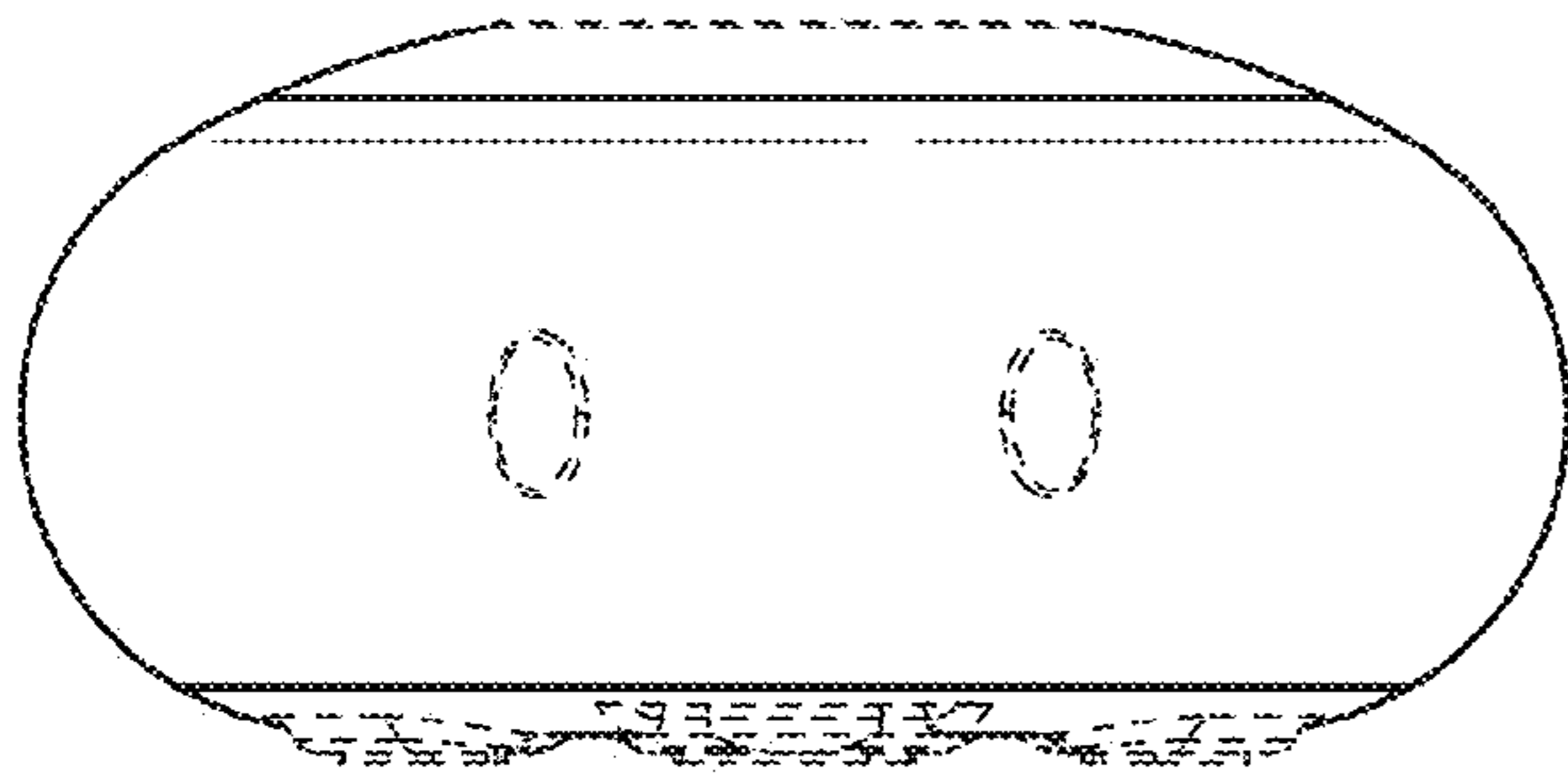
*FIG. 7*



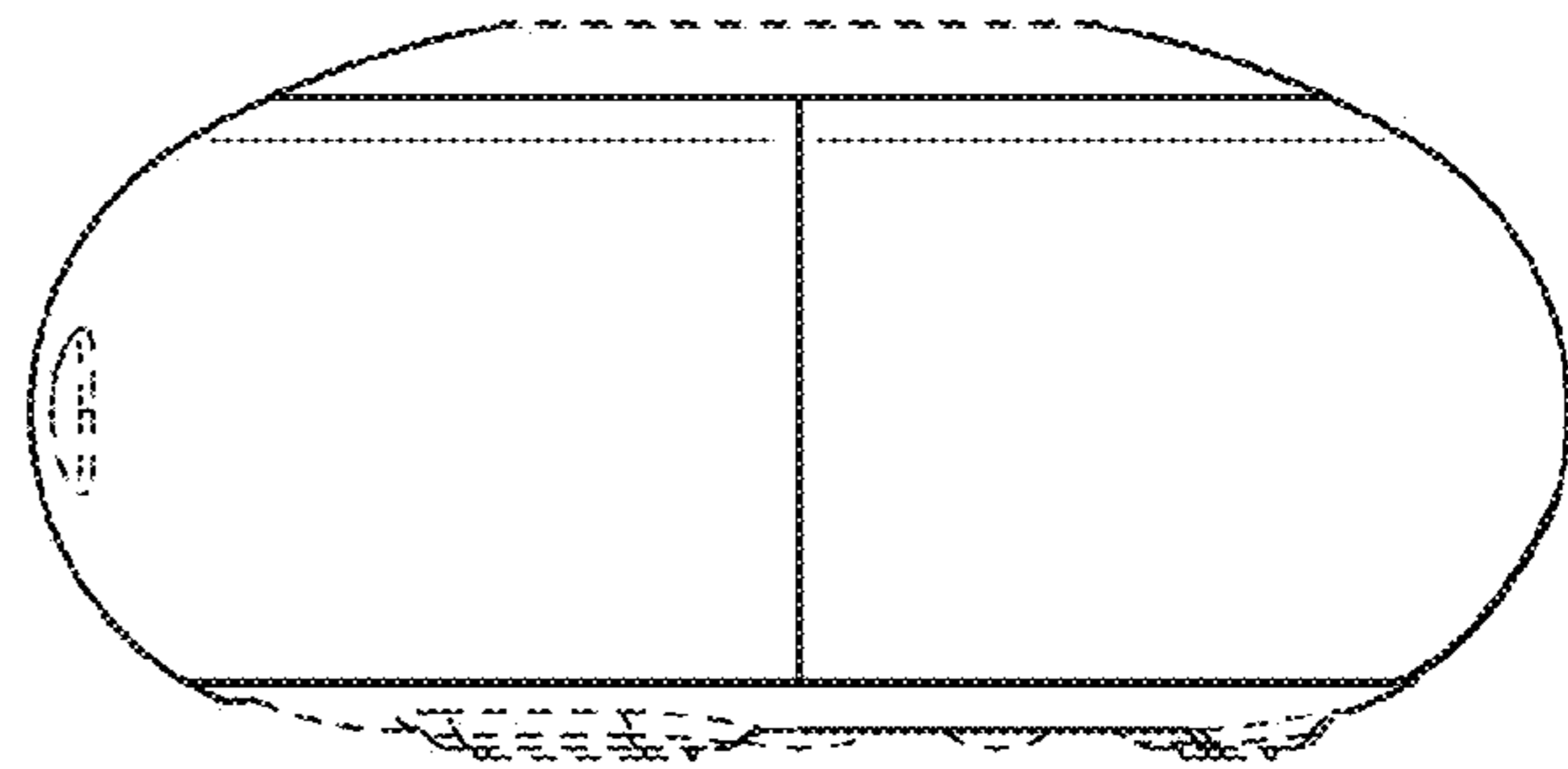
*FIG. 8*



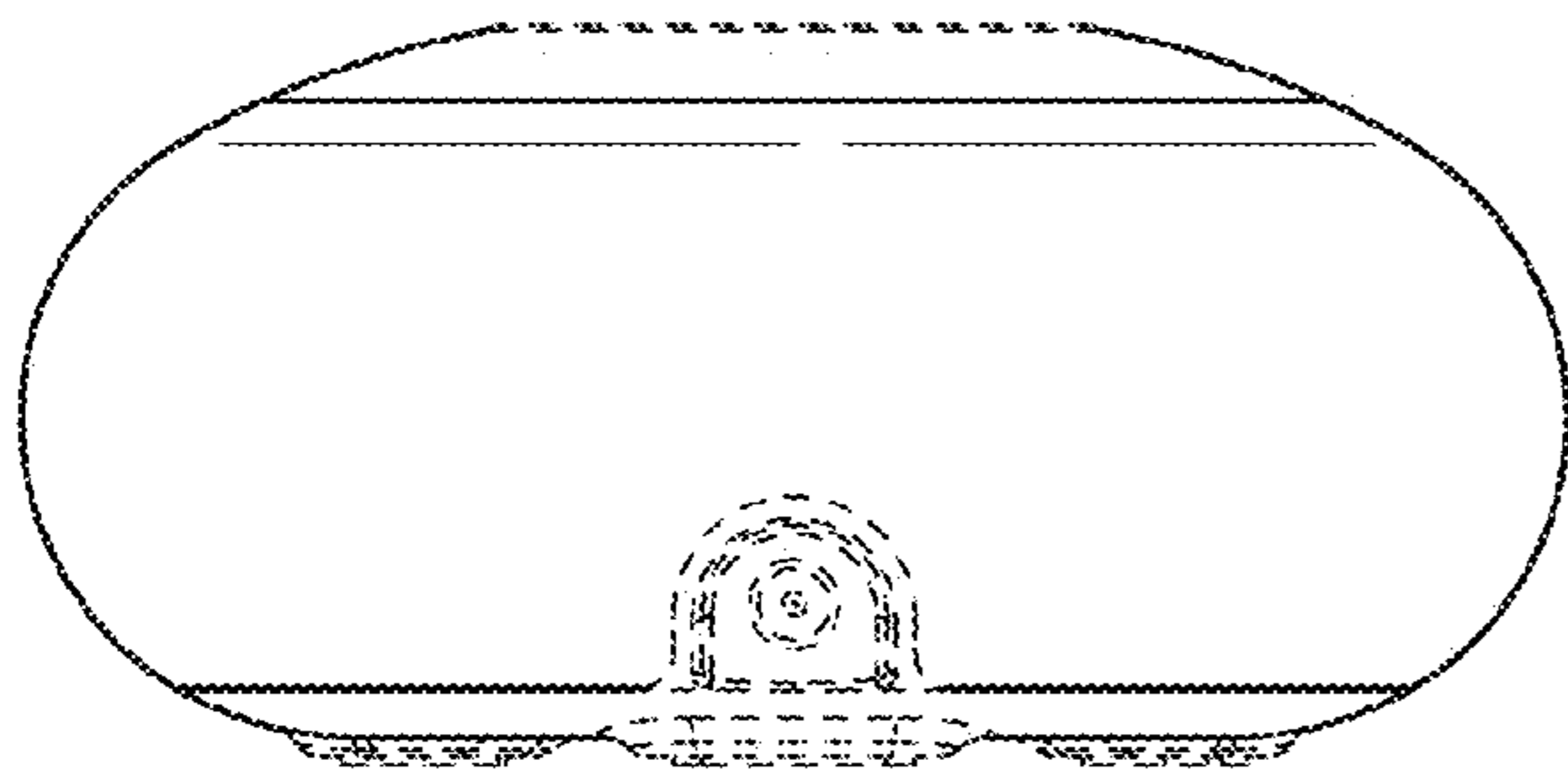
*FIG. 9*



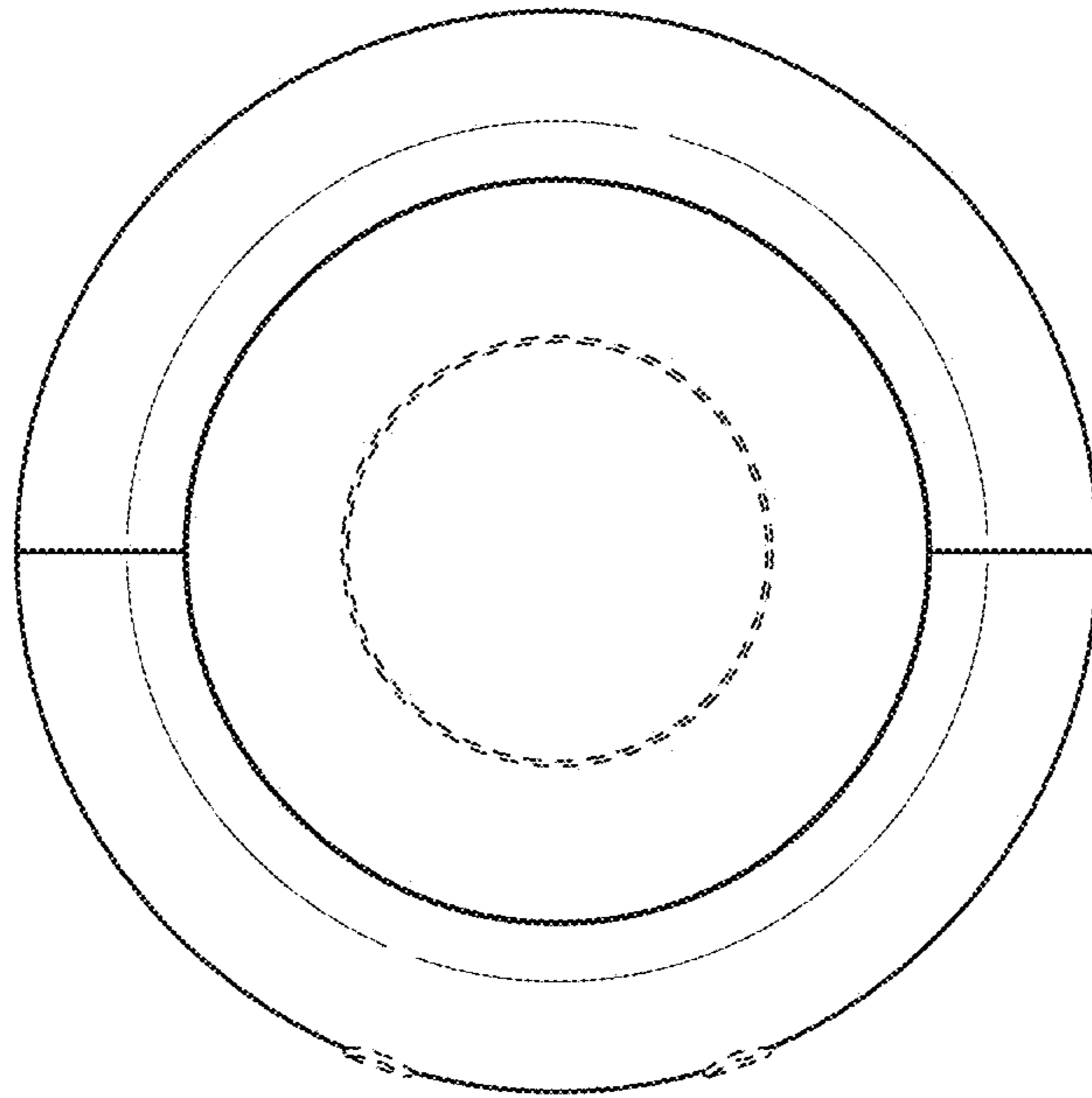
*FIG. 10*



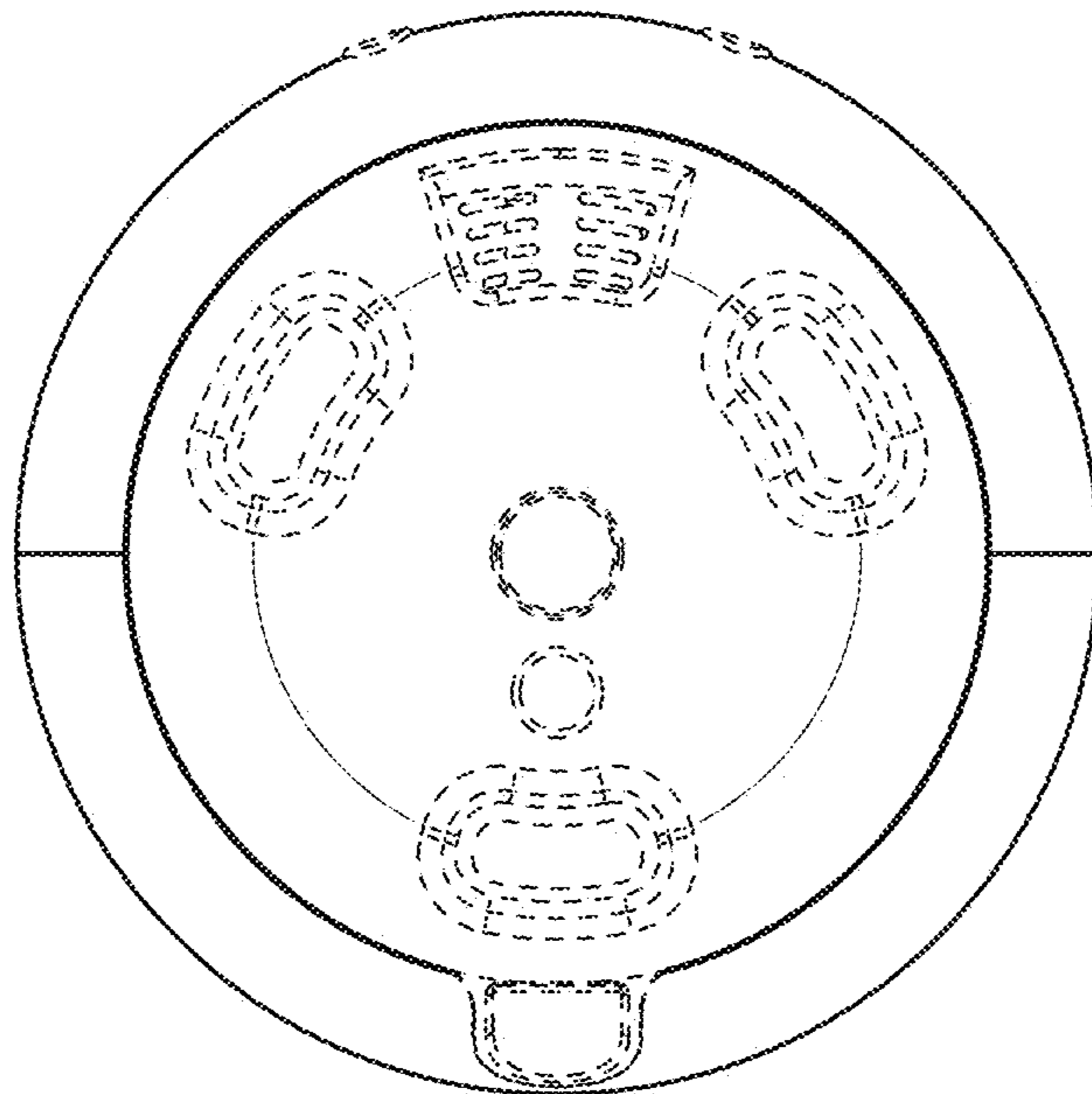
*FIG. 11*



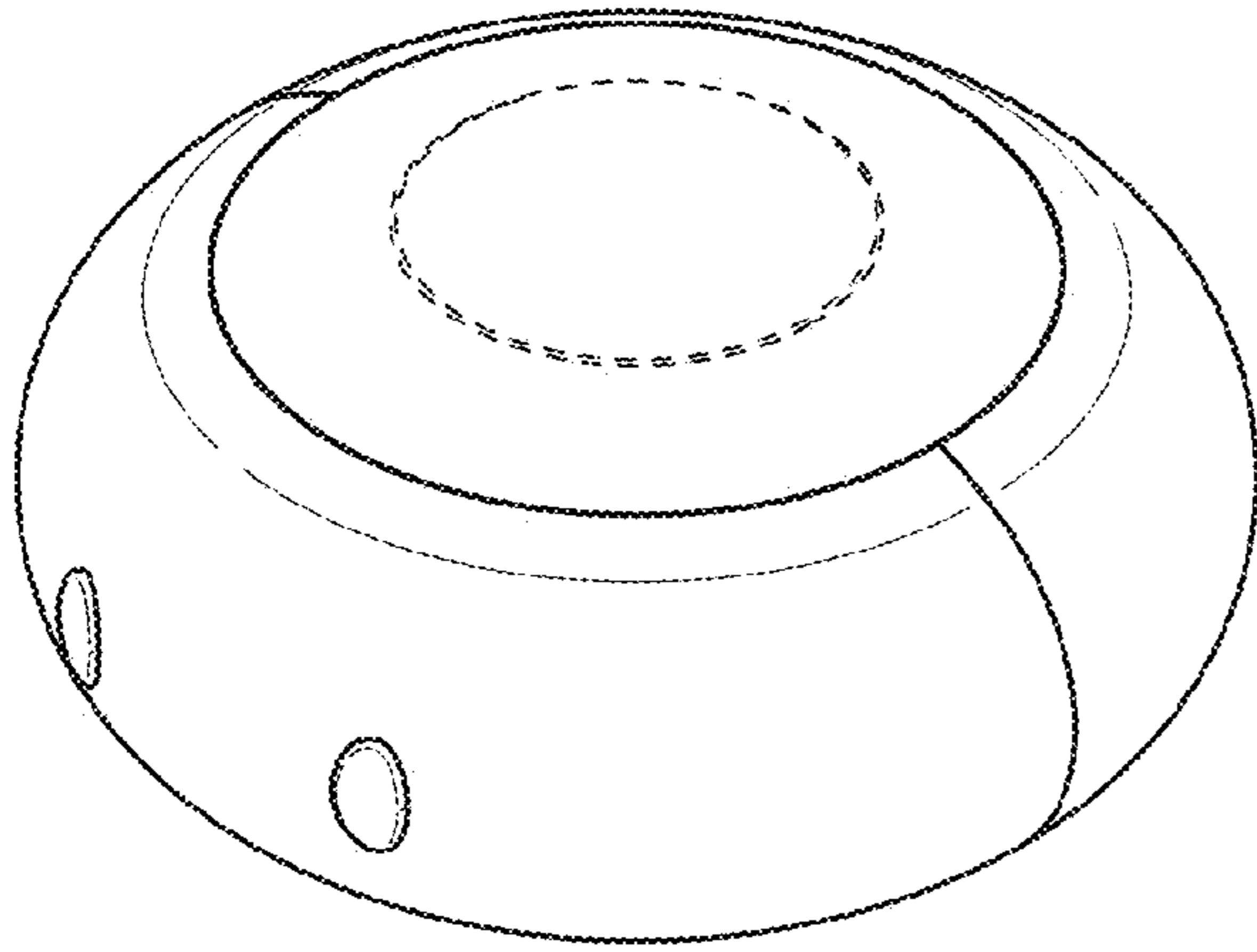
*FIG. 12*



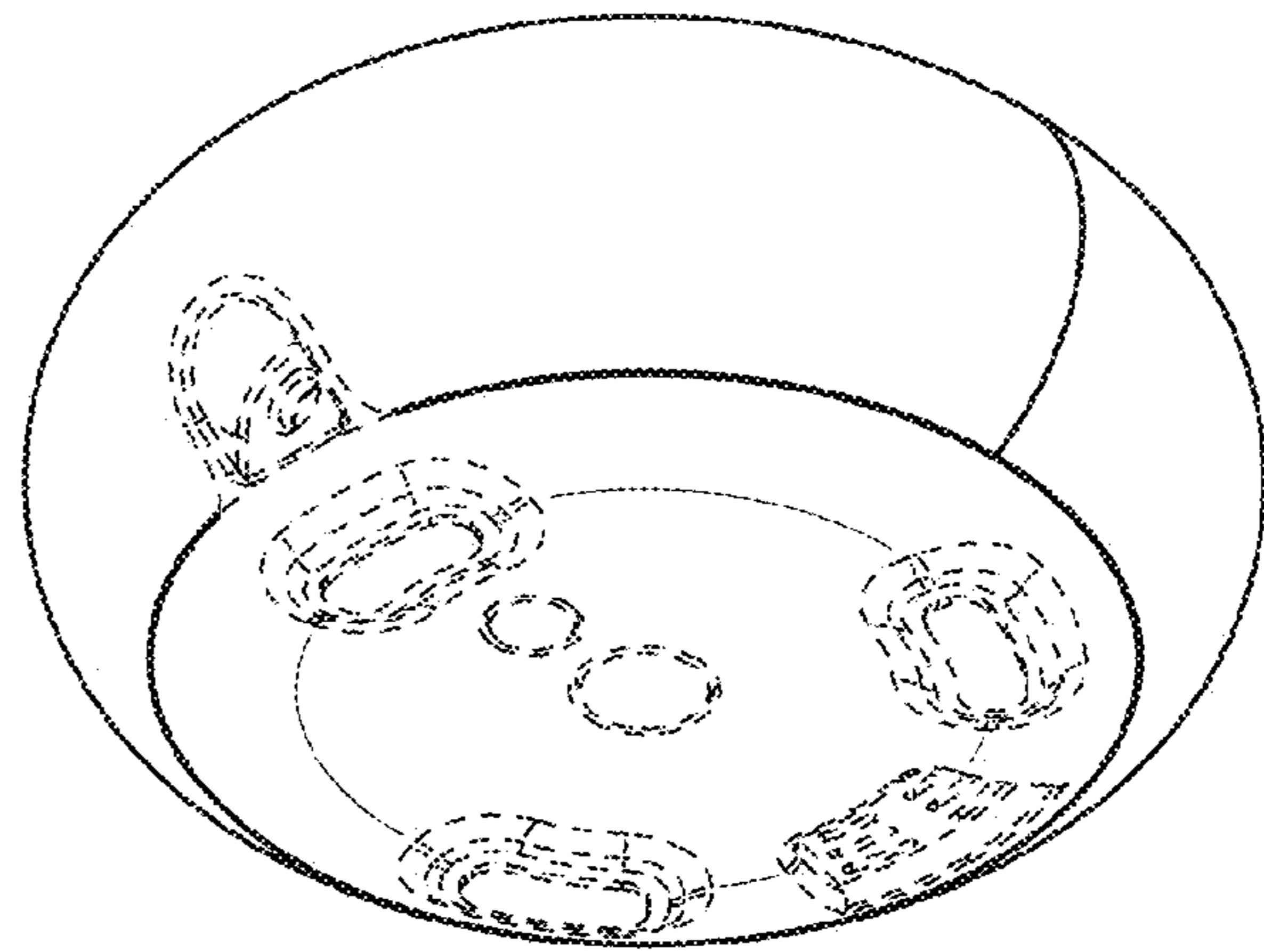
*FIG. 13*



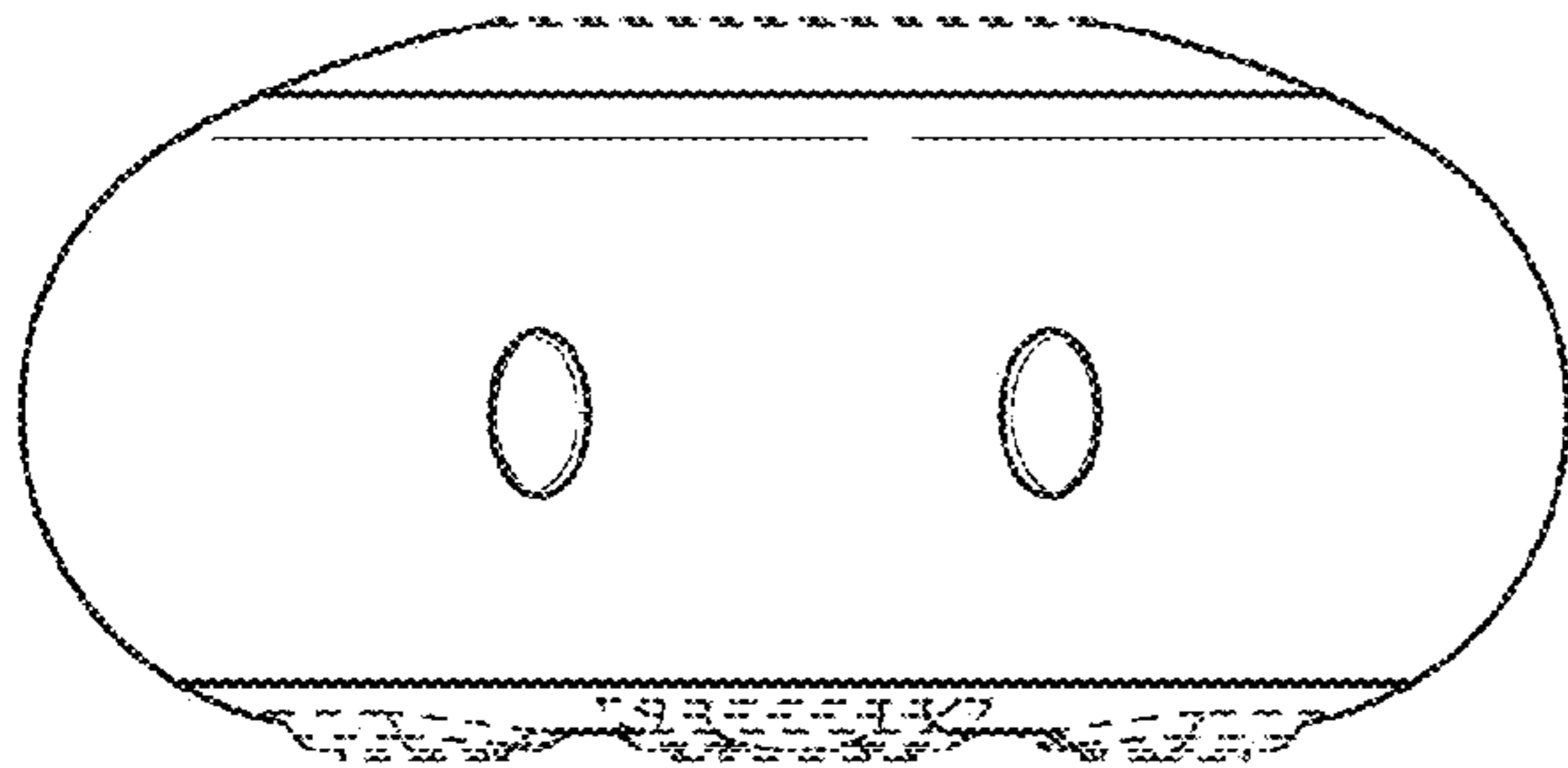
*FIG. 14*



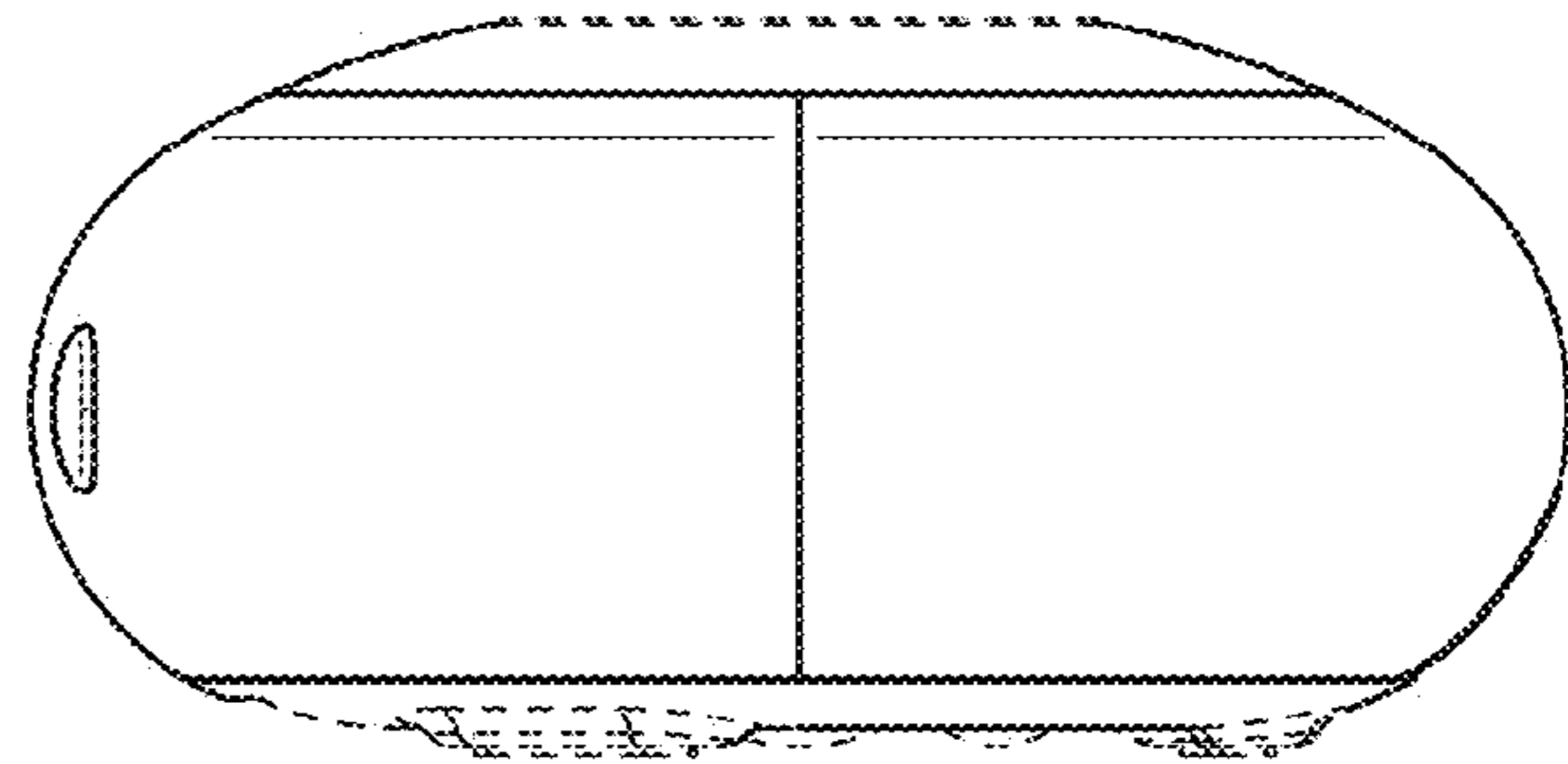
*FIG. 15*



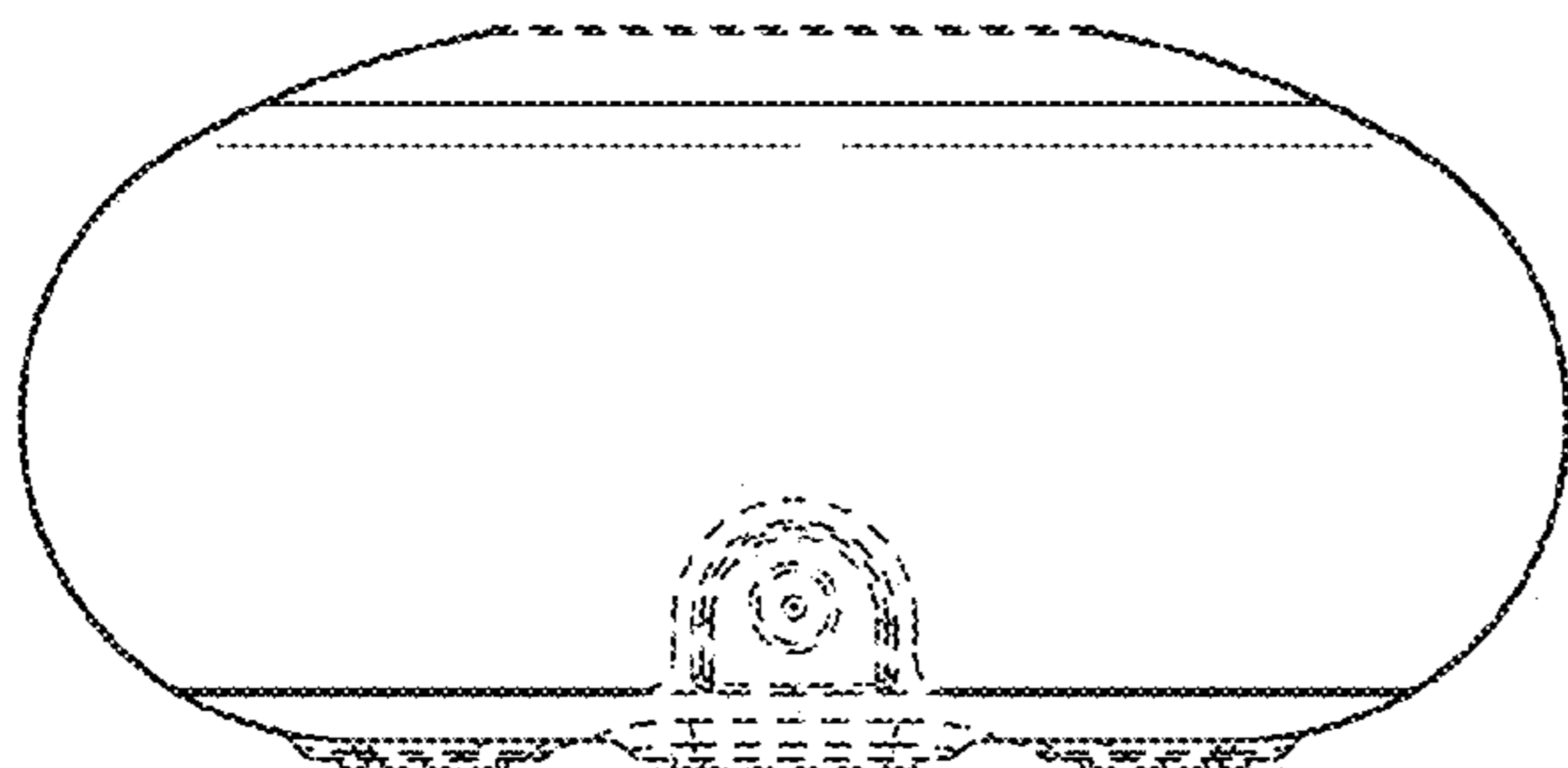
*FIG. 16*



*FIG. 17*

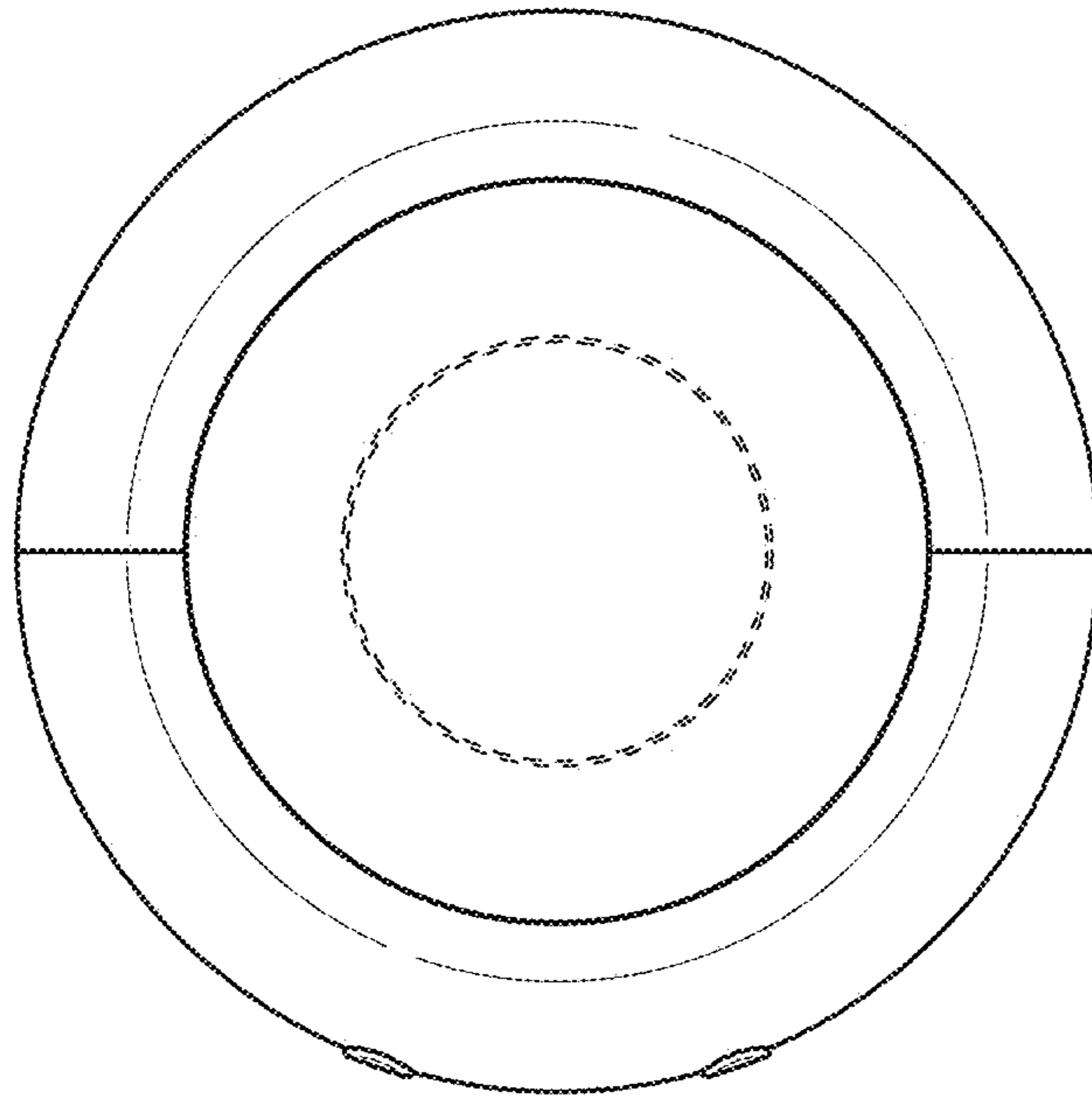


*FIG. 18*

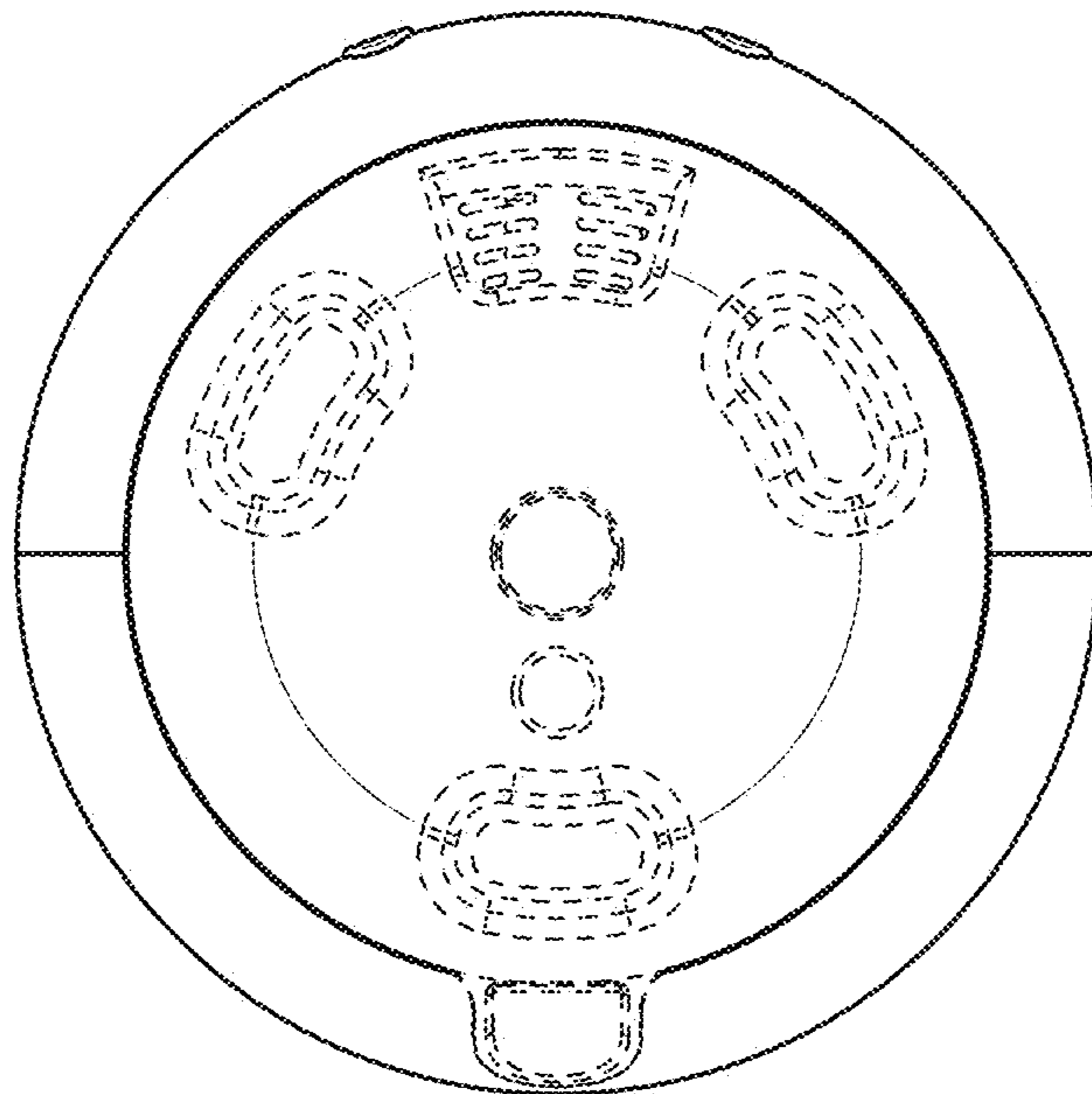


*FIG. 19*





*FIG. 20*



*FIG. 21*