



US00D898016S

(12) **United States Design Patent**
Liang et al.

(10) **Patent No.:** **US D898,016 S**

(45) **Date of Patent:** **** Oct. 6, 2020**

(54) **MOBILE PHONE CASE**

(71) Applicant: **ArmadilloTek Inc.**, Frisco, TX (US)

(72) Inventors: **Tao Liang**, Frisco, TX (US); **Jianfeng Lin**, Frisco, TX (US)

(73) Assignee: **ArmadilloTek Inc.**, Frisco, TX (US)

(**) Term: **15 Years**

(21) Appl. No.: **29/728,410**

(22) Filed: **Mar. 18, 2020**

(51) **LOC (12) Cl.** **14-03**

(52) **U.S. Cl.**

USPC **D14/250**

(58) **Field of Classification Search**

USPC D14/203.3–203.7, 439, 251–253, 447,
D14/217, 240, 248, 238.1, 250, 440;
D13/103, 107–108, 119; D3/201, 218,
D3/247, 249, 269, 273, 301, 303

CPC H04B 1/3888; H04M 1/0283; H04M
1/0202; A45C 1/06; A45C 11/00; A45C
13/02; A45C 2011/002; A45F 2005/026;
A45F 2200/0525; A45F 2200/0516

See application file for complete search history.

(56) **References Cited**

U.S. PATENT DOCUMENTS

D671,932 S	12/2012	Azoulay	
D685,358 S *	7/2013	Armstrong	D14/250
D694,742 S *	12/2013	Pan	D14/250
D715,785 S *	10/2014	Jacob	D14/250
D733,696 S *	7/2015	Burgett	D14/250
D742,869 S *	11/2015	Odhwani	D14/250
9,532,633 B1 *	1/2017	Tan	B44C 1/28
D794,626 S *	8/2017	Armstrong	D14/250
D832,269 S *	10/2018	Cheng	D14/440
D844,623 S *	4/2019	Chen	D14/447
D848,366 S *	5/2019	Lian	D13/108
D851,648 S *	6/2019	Tan	D14/440

D861,665 S *	10/2019	Li	D14/250
D862,446 S *	10/2019	Jia	D14/250
D862,451 S *	10/2019	Ahn	D14/250
D868,052 S	11/2019	Jia	

(Continued)

Primary Examiner — Carla J Wright

(74) *Attorney, Agent, or Firm* — Tony C. Hom, Esq.

(57) **CLAIM**

The ornamental design for a mobile phone case, as shown and described.

DESCRIPTION

FIG. 1 is a front, left-side, and bottom perspective view of a mobile phone case showing our new design with the support stand in an extended position;

FIG. 2 is a front, right-side, and bottom perspective view thereof;

FIG. 3 is a front, right-side, and top perspective view thereof;

FIG. 4 is a front, right-side, and bottom perspective view of the mobile phone case showing the support stand in a stowed position;

FIG. 5 is a back, left-side, and bottom perspective view thereof;

FIG. 6 is a front view thereof;

FIG. 7 is a right side view thereof;

FIG. 8 is a back view thereof;

FIG. 9 is a left side view thereof;

FIG. 10 is a bottom view thereof;

FIG. 11 is a top view thereof;

FIG. 12 is a top view thereof showing the support stand in an extended position;

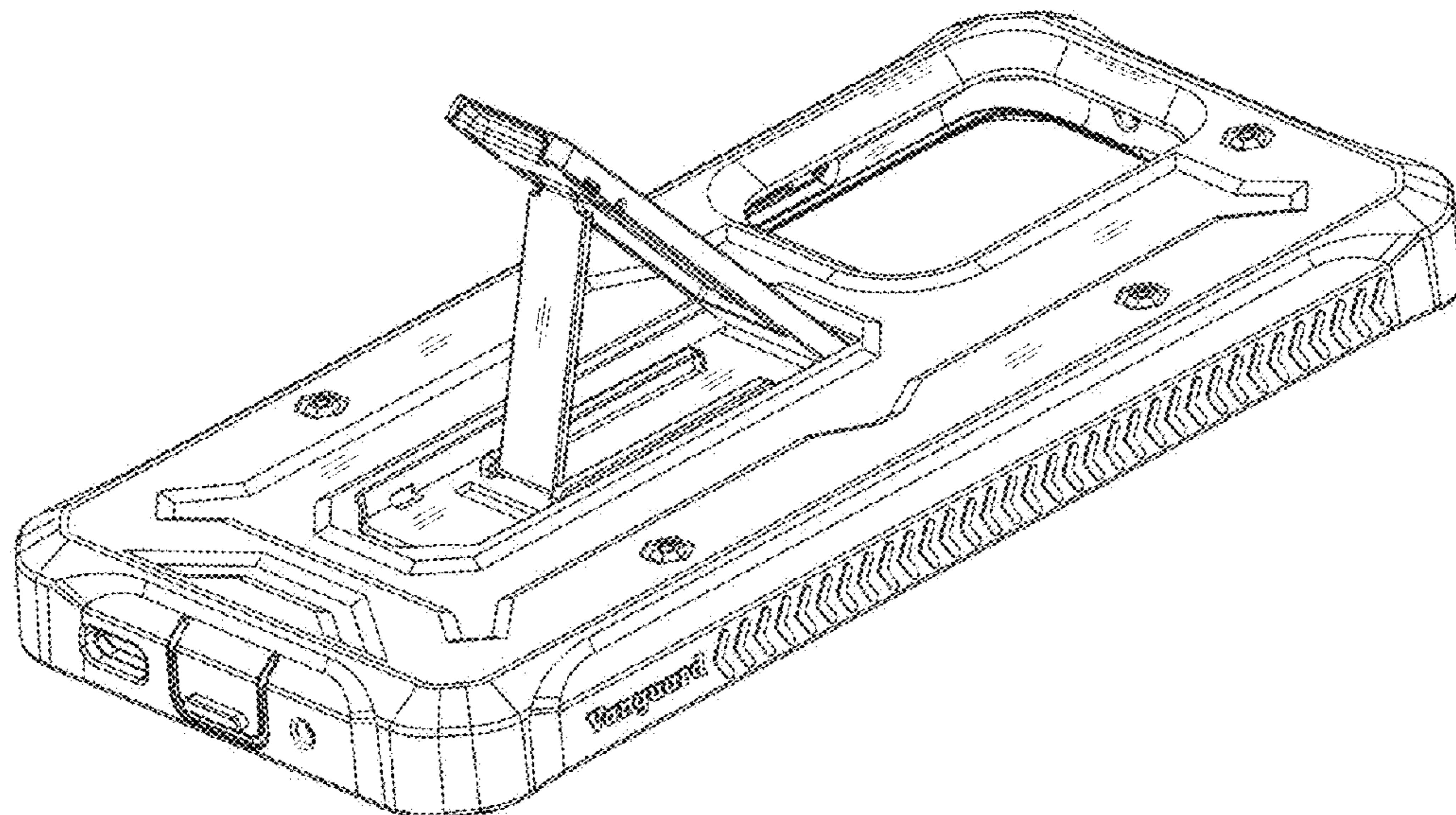
FIG. 13 is a bottom view thereof;

FIG. 14 is a left-side view thereof; and,

FIG. 15 is a right-side view thereof.

The broken lines in the drawing figures depict environmental subject matter that forms no part of the claimed design.

1 Claim, 10 Drawing Sheets



(56)

References Cited

U.S. PATENT DOCUMENTS

D868,053 S * 11/2019 Gao D14/250
D868,071 S * 11/2019 Liu D14/440
D868,788 S * 12/2019 Weng D14/440
D868,789 S * 12/2019 Weng D14/440
D868,790 S * 12/2019 Weng D14/440
2014/0243054 A1* 8/2014 LaColla H04M 1/04
455/575.8
2014/0262855 A1* 9/2014 Gandhi A45C 11/00
206/45.24
2014/0268516 A1* 9/2014 Fathollahi H05K 5/02
361/679.01
2015/0194994 A1* 7/2015 Soriano H04B 1/3888
455/575.8
2017/0047961 A1* 2/2017 Gandhi H04B 1/3888
2018/0041237 A1* 2/2018 Mody H04B 1/3877
2018/0212640 A1* 7/2018 Burns A45C 11/22

* cited by examiner

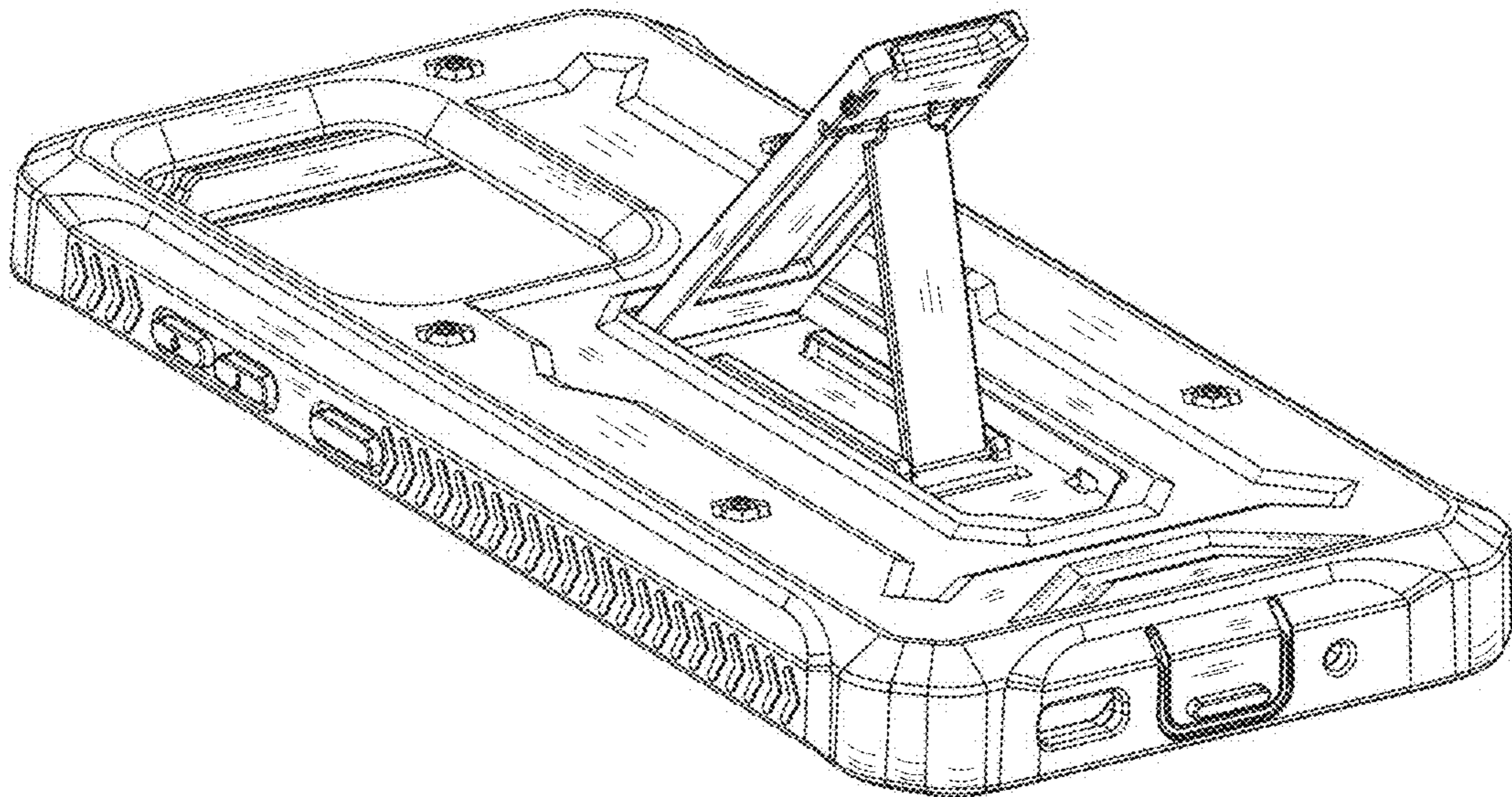


FIG 1

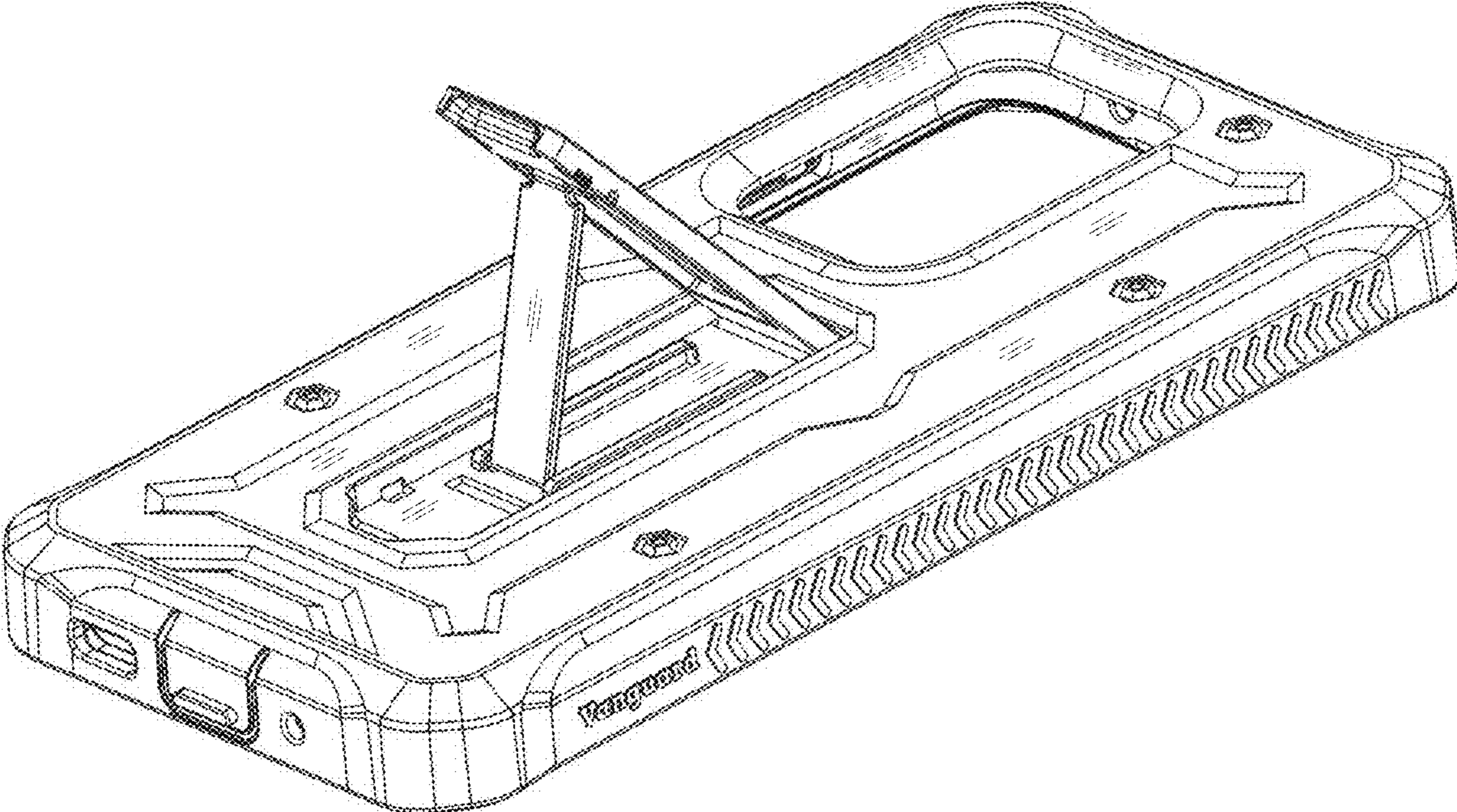


FIG 2

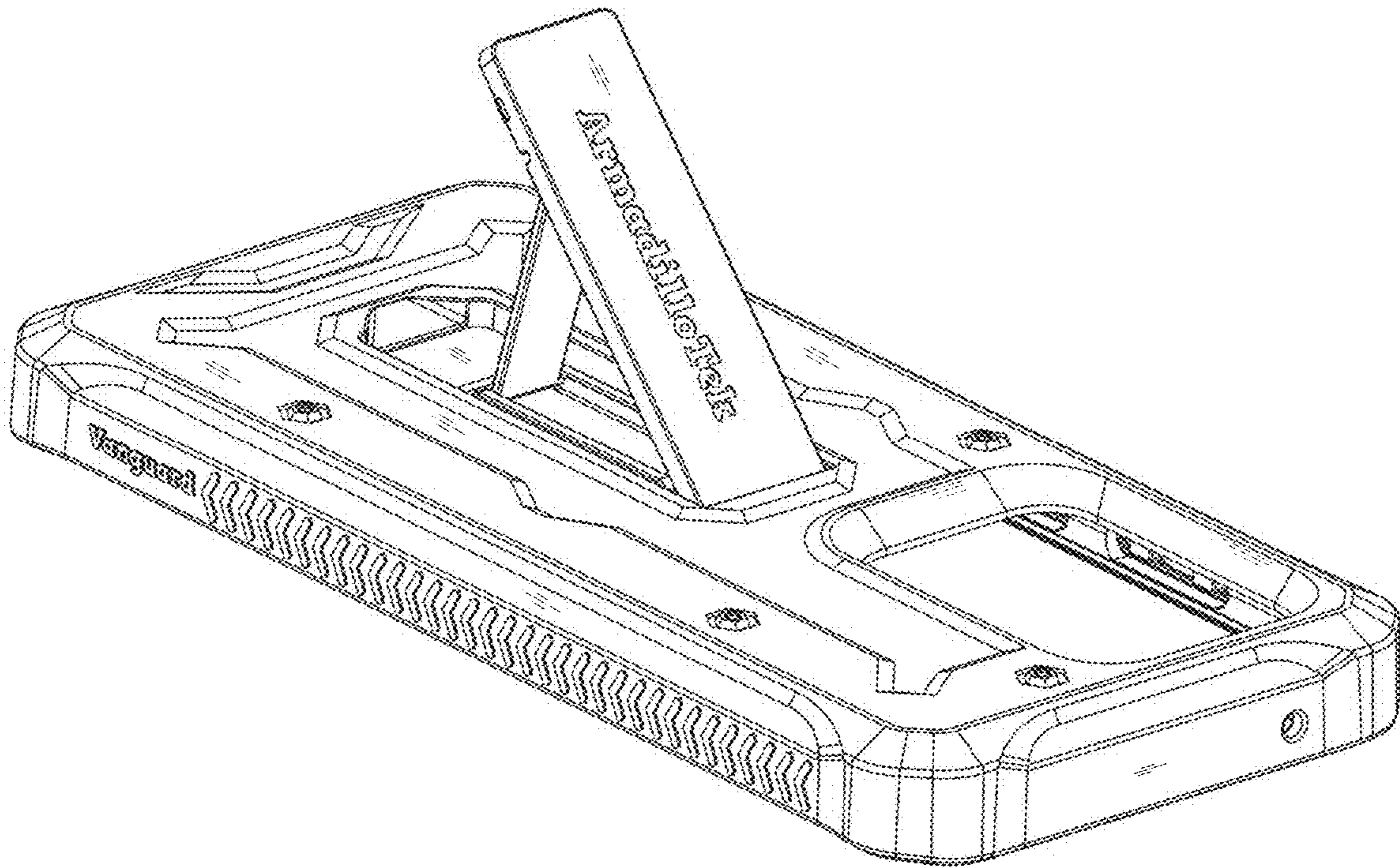


FIG 3

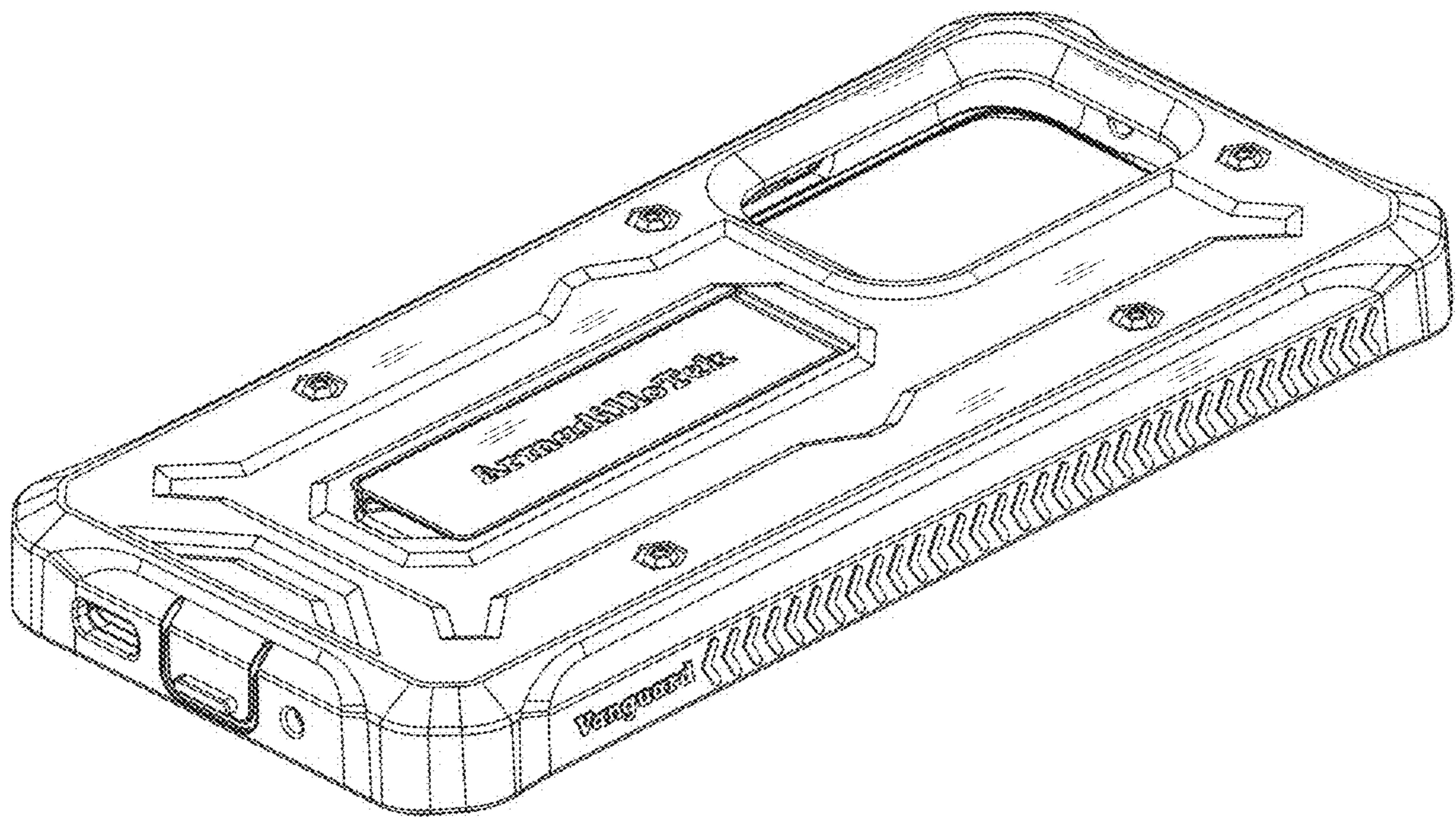


FIG 4

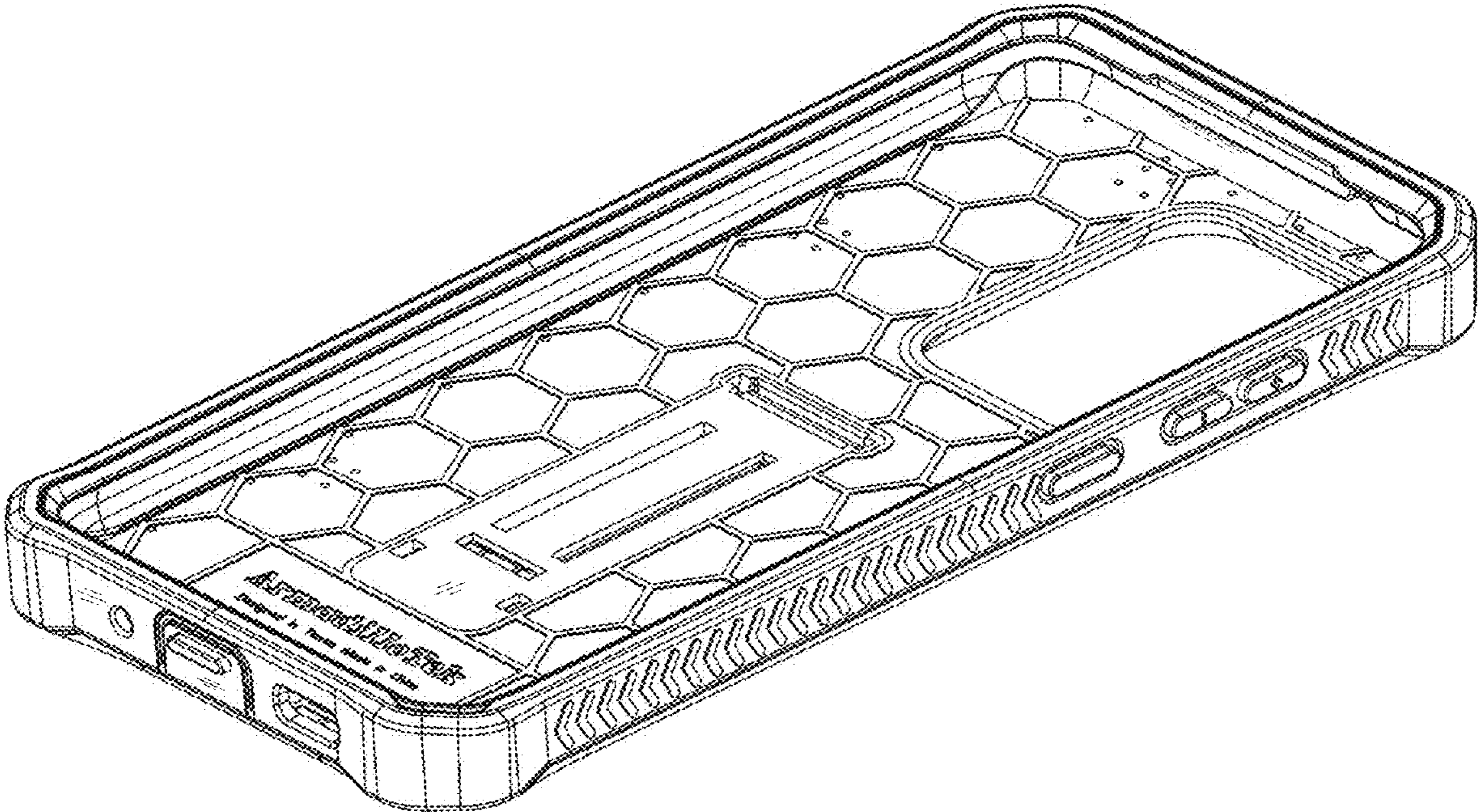


FIG 5

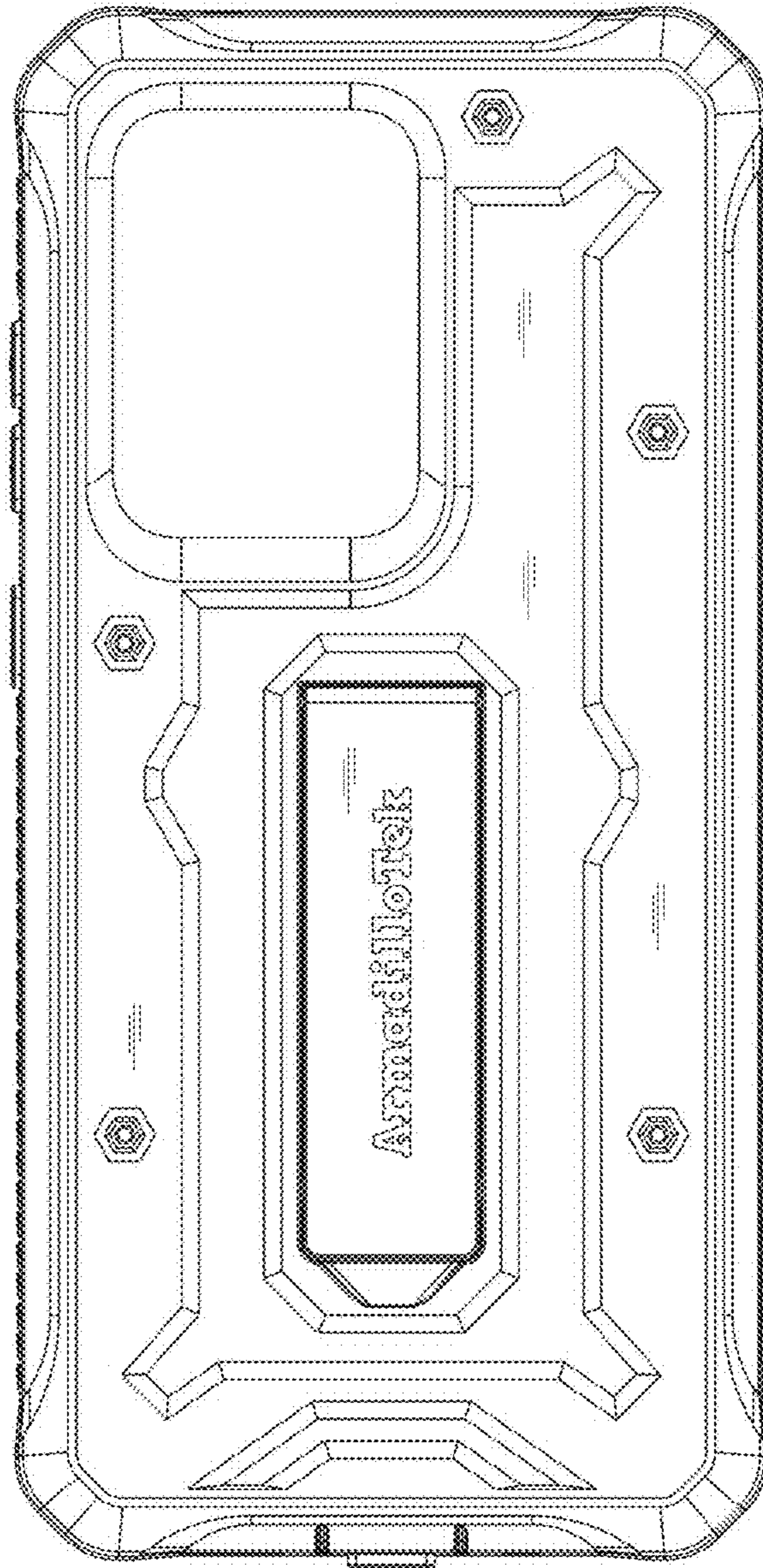


FIG 6

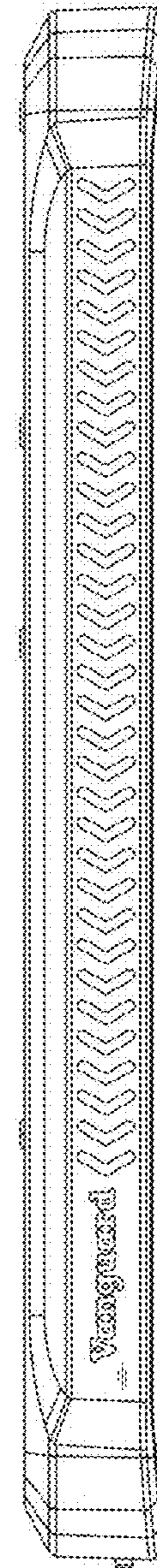


FIG 7

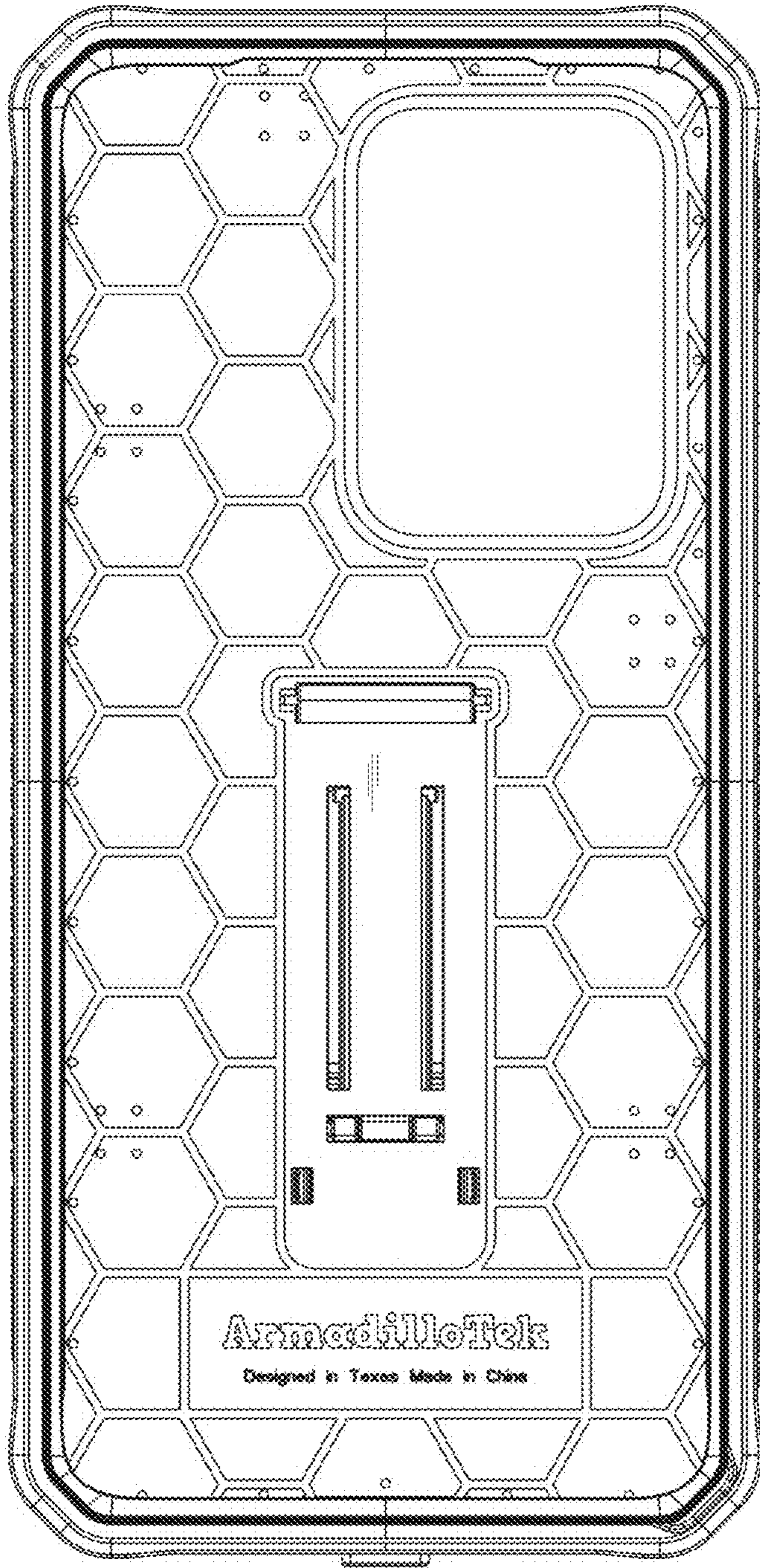


FIG 8

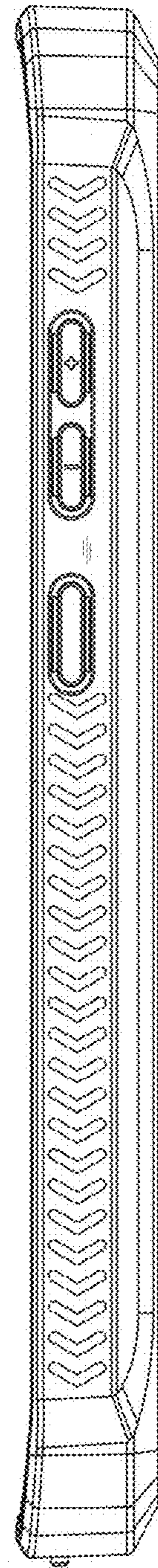


FIG 9

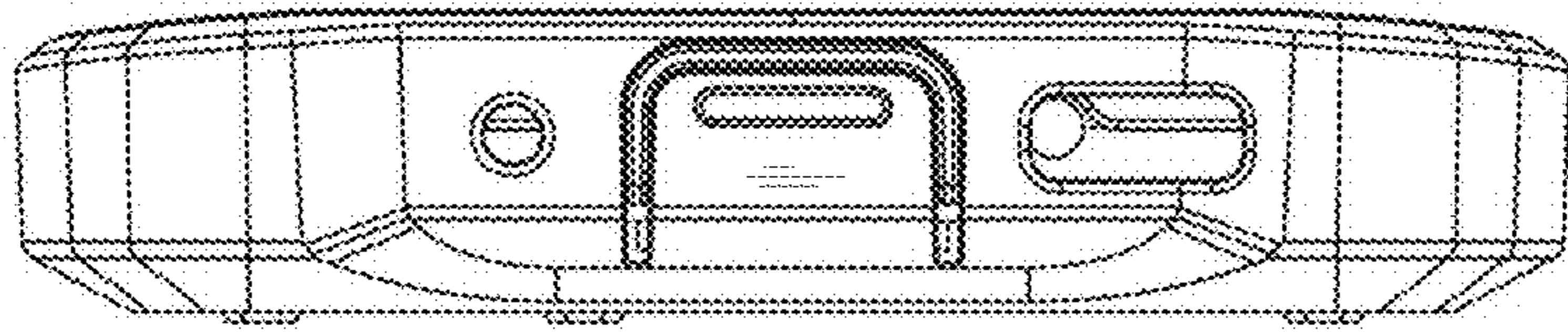


FIG 10

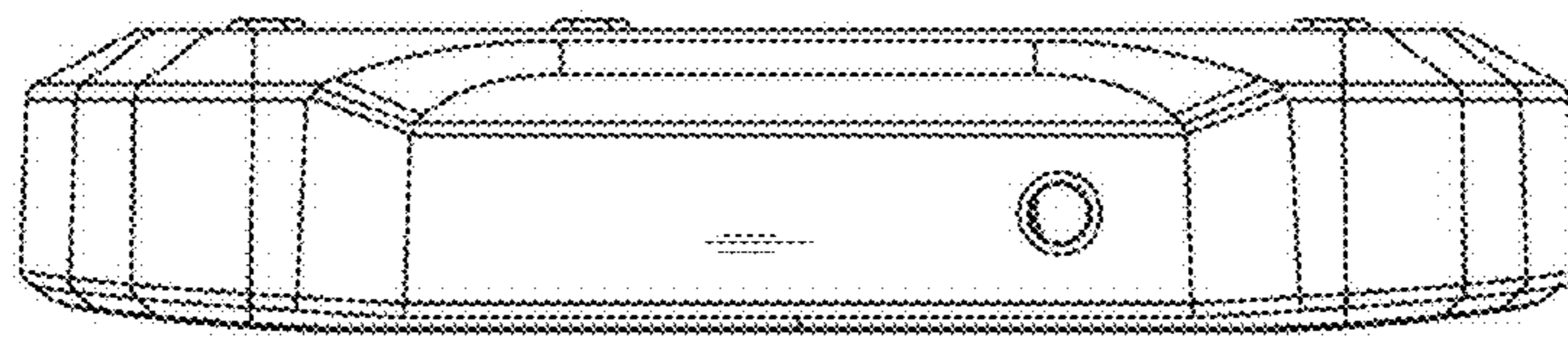


FIG 11

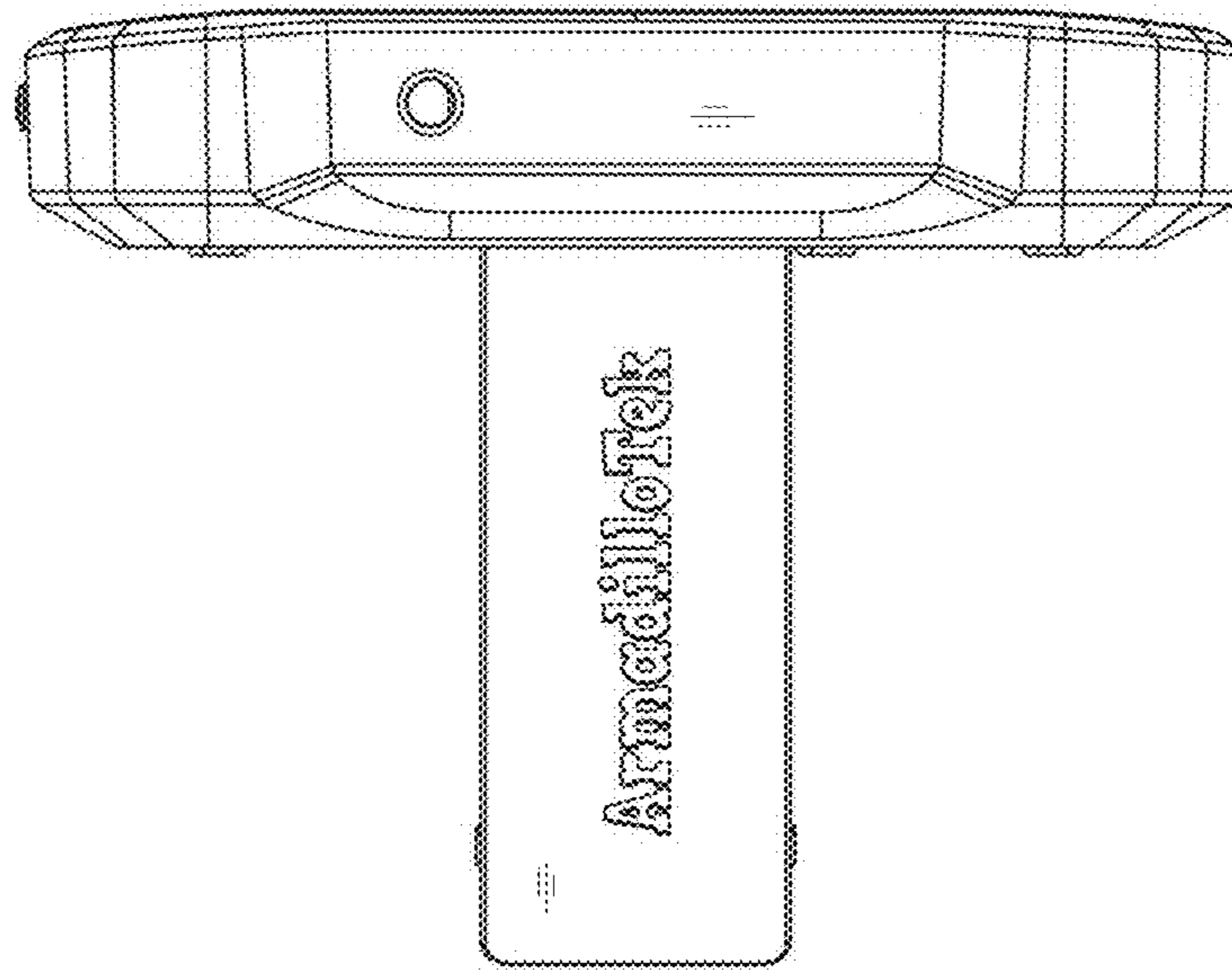


FIG 12

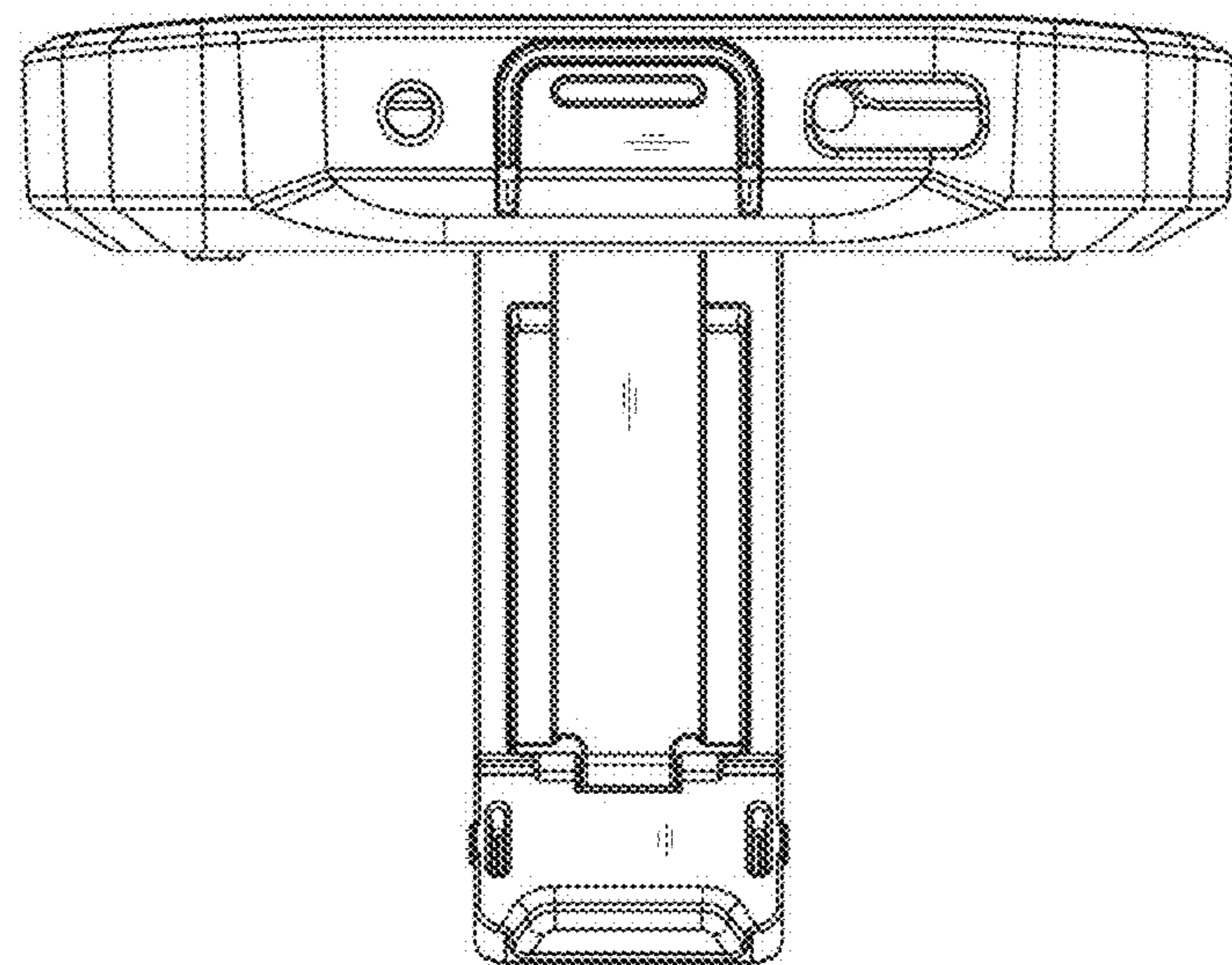


FIG 13

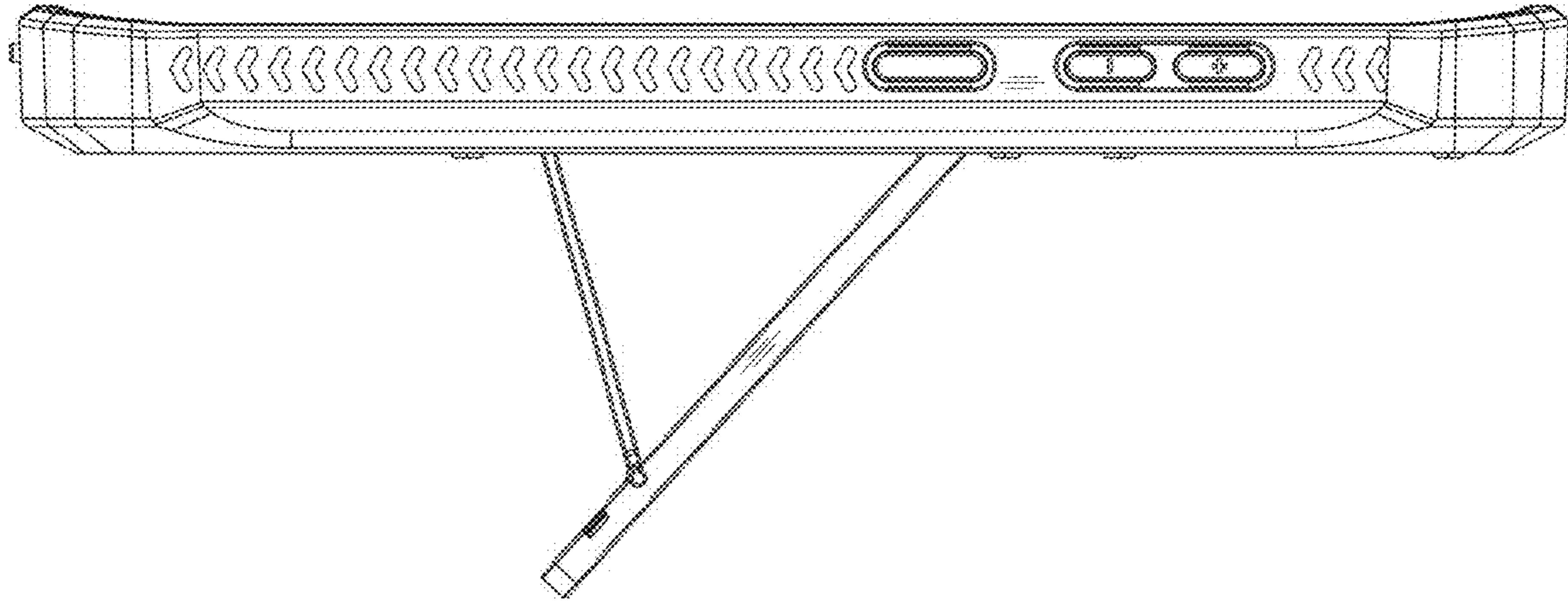


FIG 14

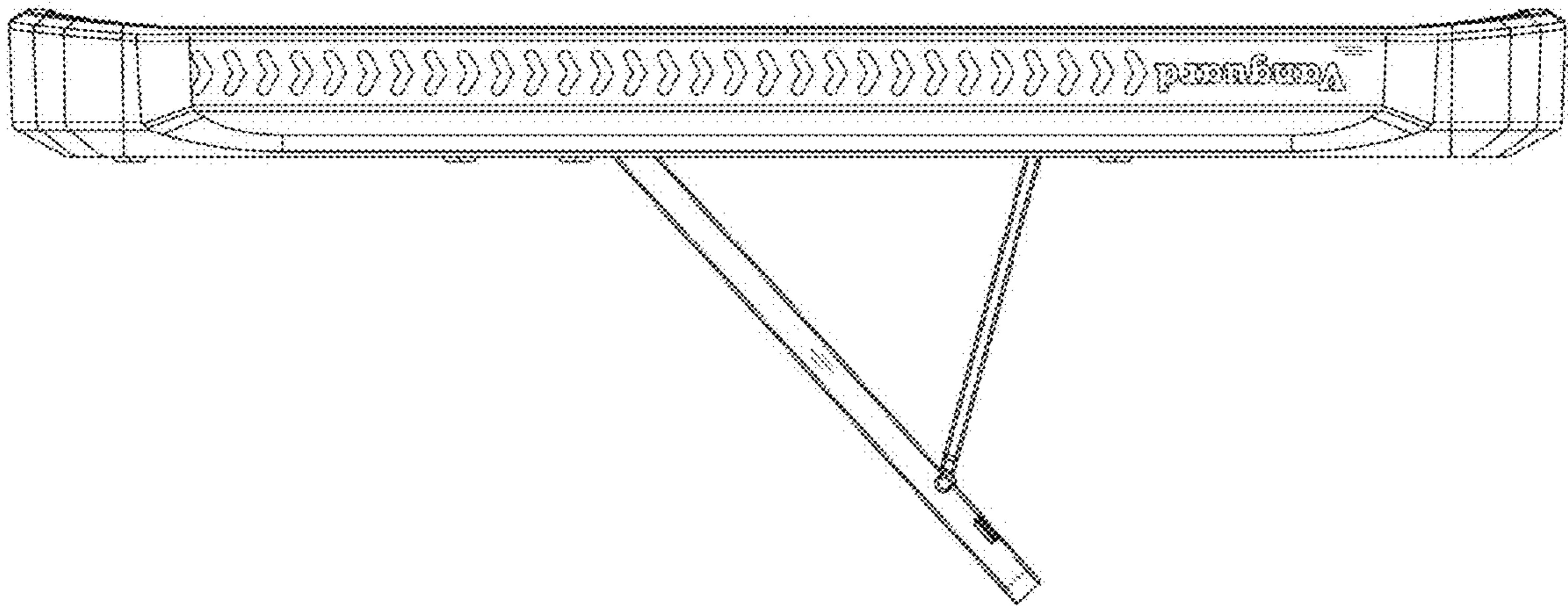


FIG 15