



US00D898005S

(12) **United States Design Patent**
Fan et al.

(10) **Patent No.:** **US D898,005 S**

(45) **Date of Patent:** **** Oct. 6, 2020**

(54) **MOBILE PHONE**

Primary Examiner — Jeffrey D Asch

(71) Applicant: **Guangdong Oppo Mobile Telecommunications Corp., Ltd.**, Dongguan, Guangdong (CN)

(57) **CLAIM**

The ornamental design for a mobile phone, as shown and described.

(72) Inventors: **Xiaoyu Fan**, Guangdong (CN); **Zhengshan Zhang**, Guangdong (CN)

DESCRIPTION

(73) Assignee: **GUANGDONG OPPO MOBILE TELECOMMUNICATIONS CORP., LTD.**, Dongguan (CN)

FIG. 1 is a front view of the mobile phone showing my new design.

FIG. 2 is a rear view of the mobile phone of FIG. 1.

FIG. 3 is a left side view of the mobile phone of FIG. 1.

FIG. 4 is a right side view of the mobile phone of FIG. 1.

FIG. 5 is a top plan view of the mobile phone of FIG. 1.

FIG. 6 is a bottom plan view of the mobile phone of FIG. 1.

FIG. 7 is a front, left perspective view of the mobile phone of FIG. 1.

FIG. 8 is a rear, right perspective view of the mobile phone of FIG. 1.

FIG. 9 is a front view of the mobile phone of FIG. 1 in an open state.

FIG. 10 is a rear view of the mobile phone of FIG. 1 in the open state.

FIG. 11 is a left side view of the mobile phone of FIG. 1 in the open state.

FIG. 12 is a right side view of the mobile phone of FIG. 1 in the open state.

FIG. 13 is a front, left perspective view of the mobile phone of FIG. 1 in the open state.

FIG. 14 is a rear, right perspective view of the mobile phone of FIG. 1 in the open state.

FIG. 15 is an enlarged view of the portion encircled and marked with A in FIG. 1.

FIG. 16 is an enlarged view of the portion encircled and marked with B in FIG. 1.

FIG. 17 is an enlarged view of the portion encircled and marked with C in FIG. 2.

FIG. 18 is an enlarged view of the portion encircled and marked with D in FIG. 2.

FIG. 19 is an enlarged view of the portion encircled and marked with E in FIG. 3.

FIG. 20 is an enlarged view of the portion encircled and marked with F in FIG. 4.

(**) Term: **15 Years**

(21) Appl. No.: **29/658,963**

(22) Filed: **Aug. 3, 2018**

(30) **Foreign Application Priority Data**

Feb. 5, 2018 (CN) 2018 3 0057831

May 24, 2018 (CN) 2018 3 0260880

(51) **LOC (12) Cl.** **14-03**

(52) **U.S. Cl.**
USPC **D14/248**

(58) **Field of Classification Search**
USPC D14/138 AD, 138 AB, 345, 346, 203.3, D14/203.4, 203.7, 138 R, 138 AA, 248,
(Continued)

(56) **References Cited**

U.S. PATENT DOCUMENTS

328,990 A * 10/1885 Webster A47B 3/087
108/35
2,306,931 A * 12/1942 Booth A47B 1/08
108/86

(Continued)

FOREIGN PATENT DOCUMENTS

CN 302725932 S 1/2014
CN 304642219 S 5/2018

(Continued)

(Continued)

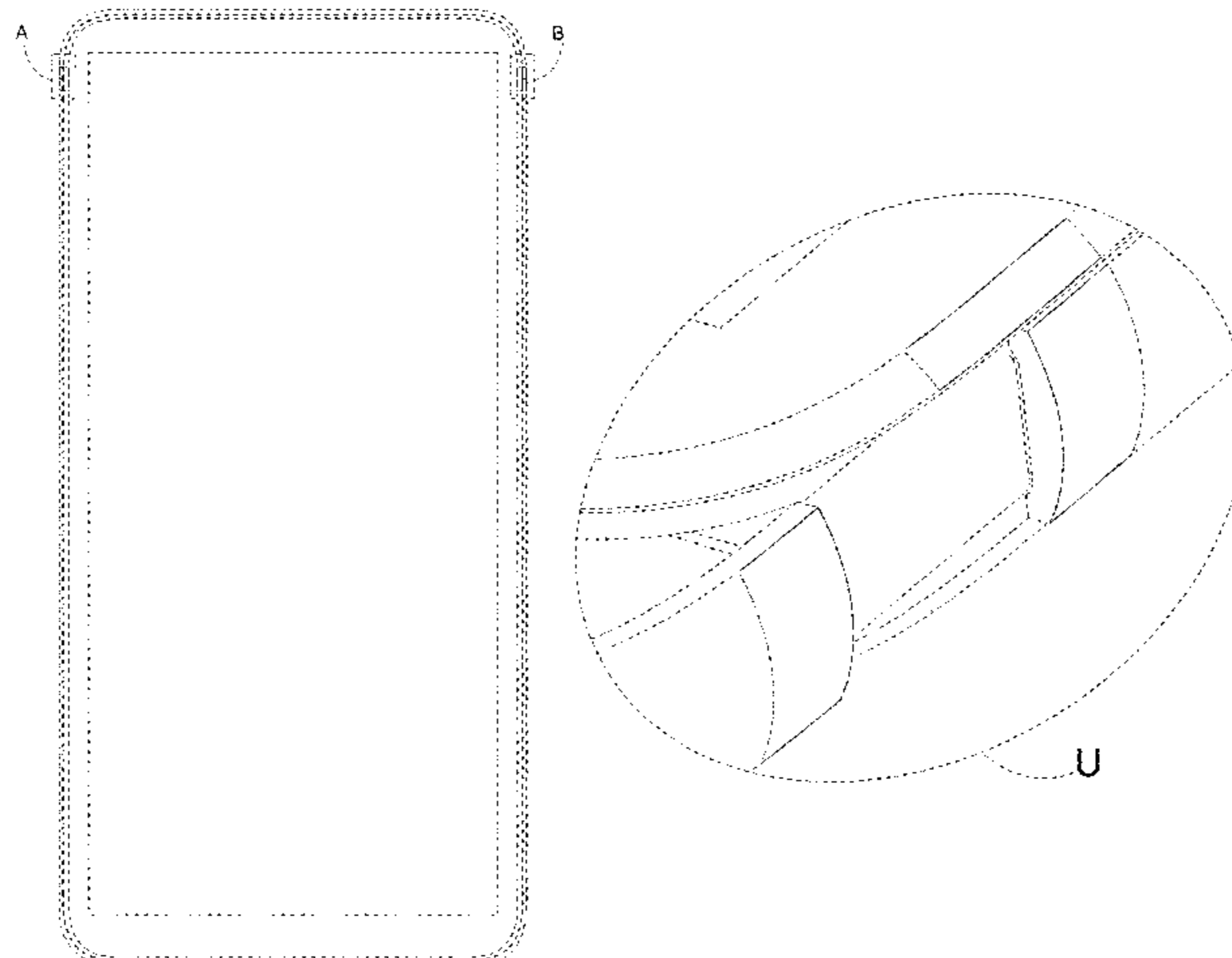


FIG. 21 is an enlarged view of the portion encircled and marked with G in FIG. 7.
 FIG. 22 is an enlarged view of the portion encircled and marked with H in FIG. 8.
 FIG. 23 is an enlarged view of the portion encircled and marked with O in FIG. 9.
 FIG. 24 is an enlarged view of the portion encircled and marked with P in FIG. 9.
 FIG. 25 is an enlarged view of the portion encircled and marked with Q in FIG. 10.
 FIG. 26 is an enlarged view of the portion encircled and marked with R in FIG. 10.
 FIG. 27 is an enlarged view of the portion encircled and marked with S in FIG. 11.
 FIG. 28 is an enlarged view of the portion encircled and marked with T in FIG. 12.
 FIG. 29 is an enlarged view of the portion encircled and marked with U in FIG. 13; and,
 FIG. 30 is an enlarged view of the portion encircled and marked with V in FIG. 14.
 The broken lines in FIGS. 1-30 show portions of the mobile phone, and are used to encircle and mark portions of the mobile phone, and form no part of the claimed design.
 The dash-dot lines in FIGS. 1-30 show boundaries of the claimed design and form no part of the claimed design.

1 Claim, 27 Drawing Sheets

(58) **Field of Classification Search**

USPC D14/138 G, 341, 480.1-480.7, 138 C,
 D14/250, 457, 458; 455/575.4;
 D21/517; 108/83, 86, 69; 30/113;
 D6/686; D27/195; D7/673; D3/298
 CPC H04M 1/0237; H04M 1/0245; H04M
 1/0235; A47B 1/08; A47B 1/03; A47B
 1/02

See application file for complete search history.

(56) **References Cited**

U.S. PATENT DOCUMENTS

D617,782 S * 6/2010 Kim D14/242
 D619,989 S * 7/2010 Huang D14/138 AD

D619,990 S * 7/2010 Lai D14/138 AD
 D626,526 S * 11/2010 Lee D14/138 AD
 D719,124 S * 12/2014 Kim D14/138 AD
 D733,693 S 7/2015 Wang et al.
 D797,092 S * 9/2017 To D14/250
 D798,854 S 10/2017 Babichenko
 D825,516 S * 8/2018 Li D14/138 G
 D833,426 S * 11/2018 Yun D14/250
 D856,955 S * 8/2019 Seo D14/138 G
 10,404,841 B1 * 9/2019 Fan G06F 1/1686
 10,419,589 B2 * 9/2019 Fan H04M 1/0264
 10,425,515 B2 * 9/2019 Fan H04M 1/0264
 D863,246 S * 10/2019 Fan D14/138 AD
 D863,282 S * 10/2019 Jung D14/250
 D864,943 S * 10/2019 Yun D14/250
 D879,733 S * 3/2020 Fan D14/138 AD
 D879,734 S * 3/2020 Fan D14/138 AD
 D879,735 S * 3/2020 Fan D14/138 AD
 D881,830 S * 4/2020 Fan D14/138 AD
 2005/0054397 A1 * 3/2005 Kim G03B 11/043
 455/575.4
 2006/0205447 A1 * 9/2006 Park H04M 1/0254
 455/575.1
 2009/0156264 A1 * 6/2009 Cho H04M 1/0235
 455/566
 2009/0203398 A1 * 8/2009 Griffin H04M 1/0241
 455/556.1
 2011/0294555 A1 * 12/2011 Happonen H04M 1/0235
 455/575.4
 2019/0124187 A1 * 4/2019 Zeng H04M 1/0237
 2019/0182371 A1 * 6/2019 Ashall H04M 1/72583
 2019/0250667 A1 * 8/2019 Fan H04M 1/0264
 2019/0253533 A1 * 8/2019 Fan H04M 1/0264
 2019/0253534 A1 * 8/2019 Fan G06F 1/1686
 2019/0253536 A1 * 8/2019 Fan H04M 1/0264
 2019/0253537 A1 * 8/2019 Fan H04M 1/0264
 2019/0253540 A1 * 8/2019 Fan H04M 1/0237
 2019/0253541 A1 * 8/2019 Fan H04N 1/00307
 2019/0253542 A1 * 8/2019 Fan H04M 1/0237
 2019/0253543 A1 * 8/2019 Fan G06F 1/1686
 2019/0302841 A1 * 10/2019 Sun G06F 1/1626
 2019/0373153 A1 * 12/2019 Zeng H04N 5/2254
 2019/0386696 A1 * 12/2019 Luo A45C 11/00
 2020/0125707 A1 * 4/2020 Lin G06F 1/1624
 2020/0154005 A1 * 5/2020 Han H04N 5/2253

FOREIGN PATENT DOCUMENTS

JP D1572861 S 3/2017
 JP D1581222 S 7/2017
 TW D184877 S 8/2017

* cited by examiner

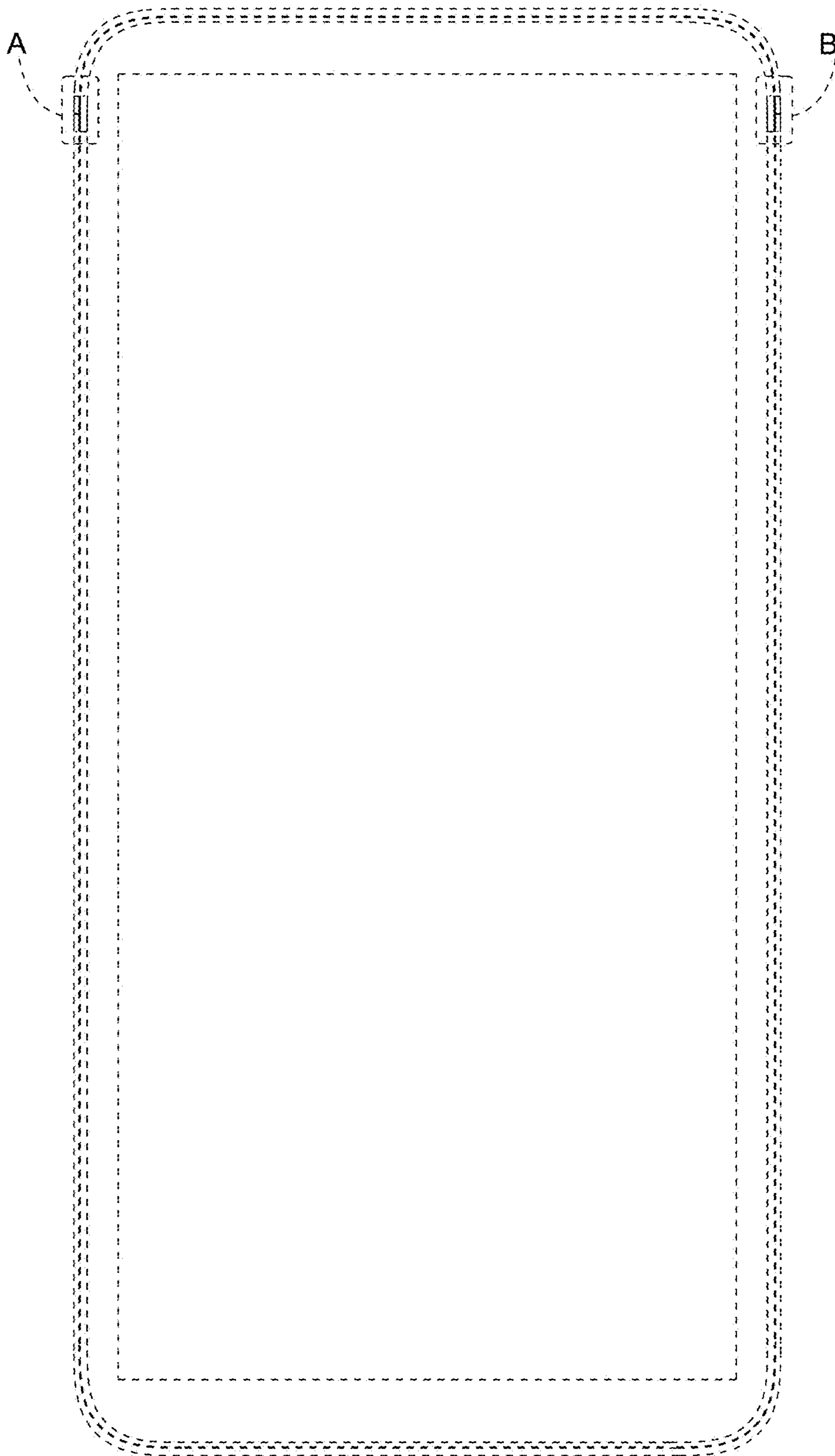


FIG. 1

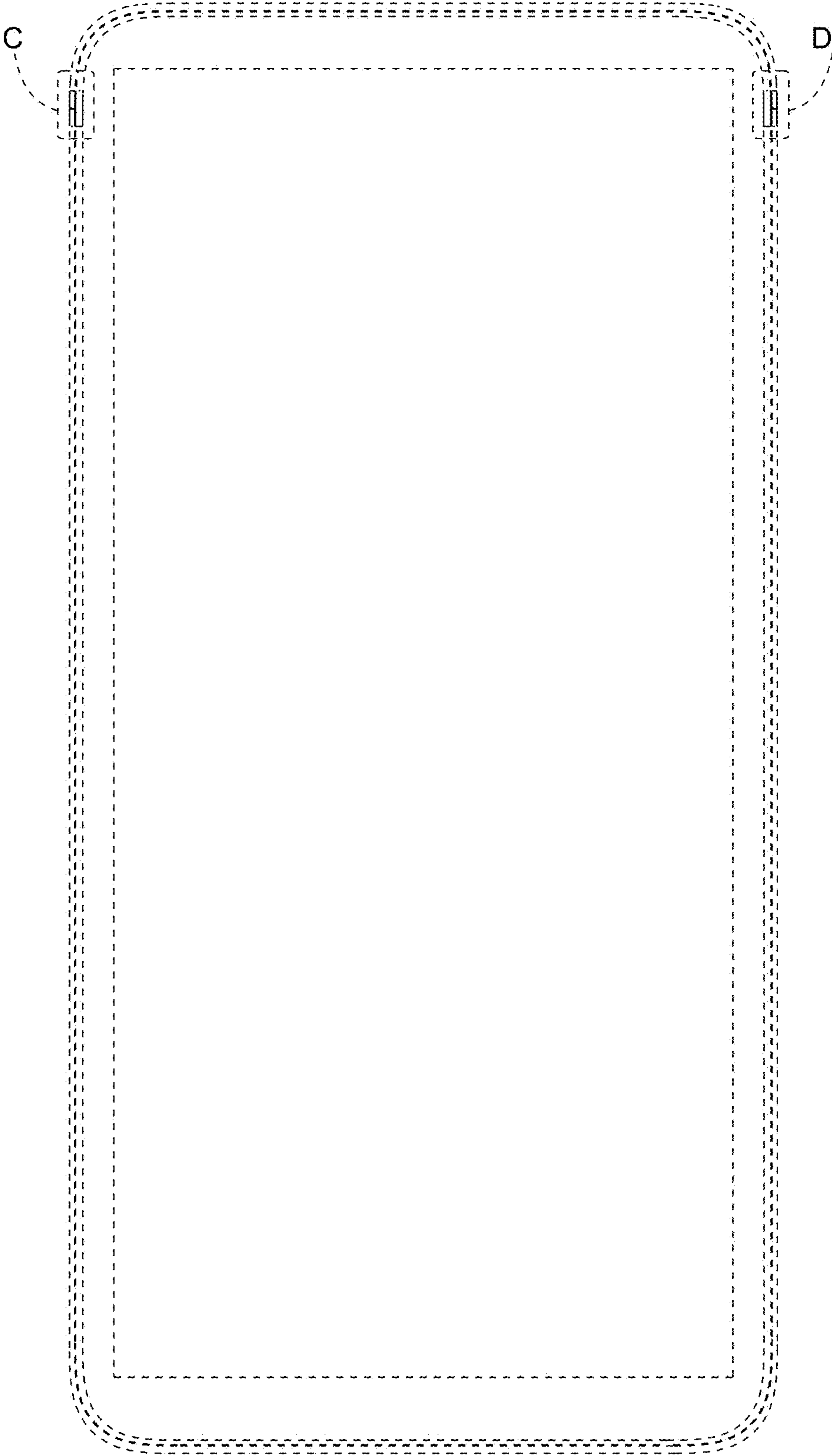


FIG. 2

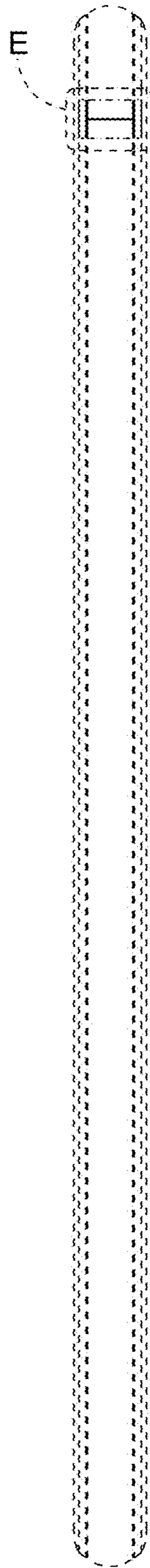


FIG. 3

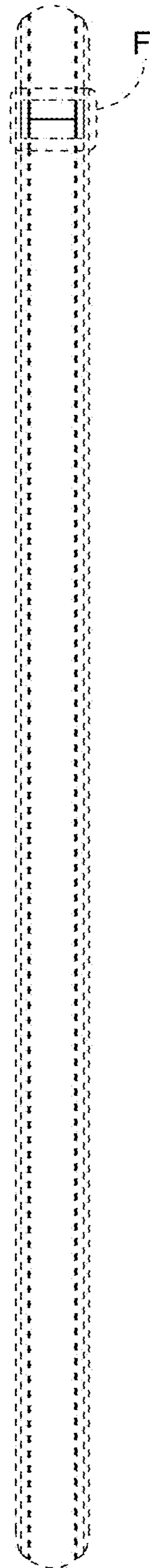


FIG. 4



FIG. 5



FIG. 6

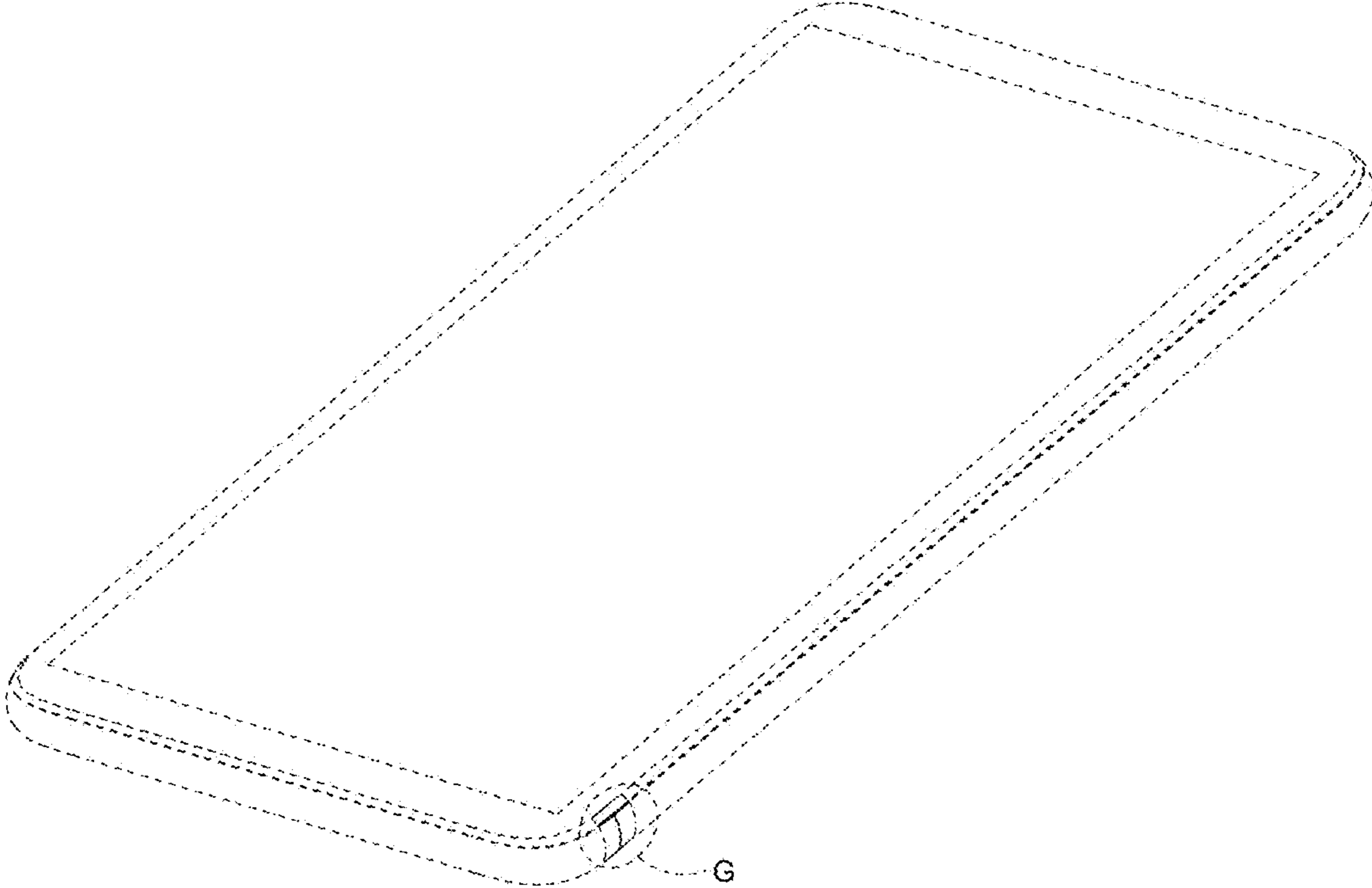


FIG. 7

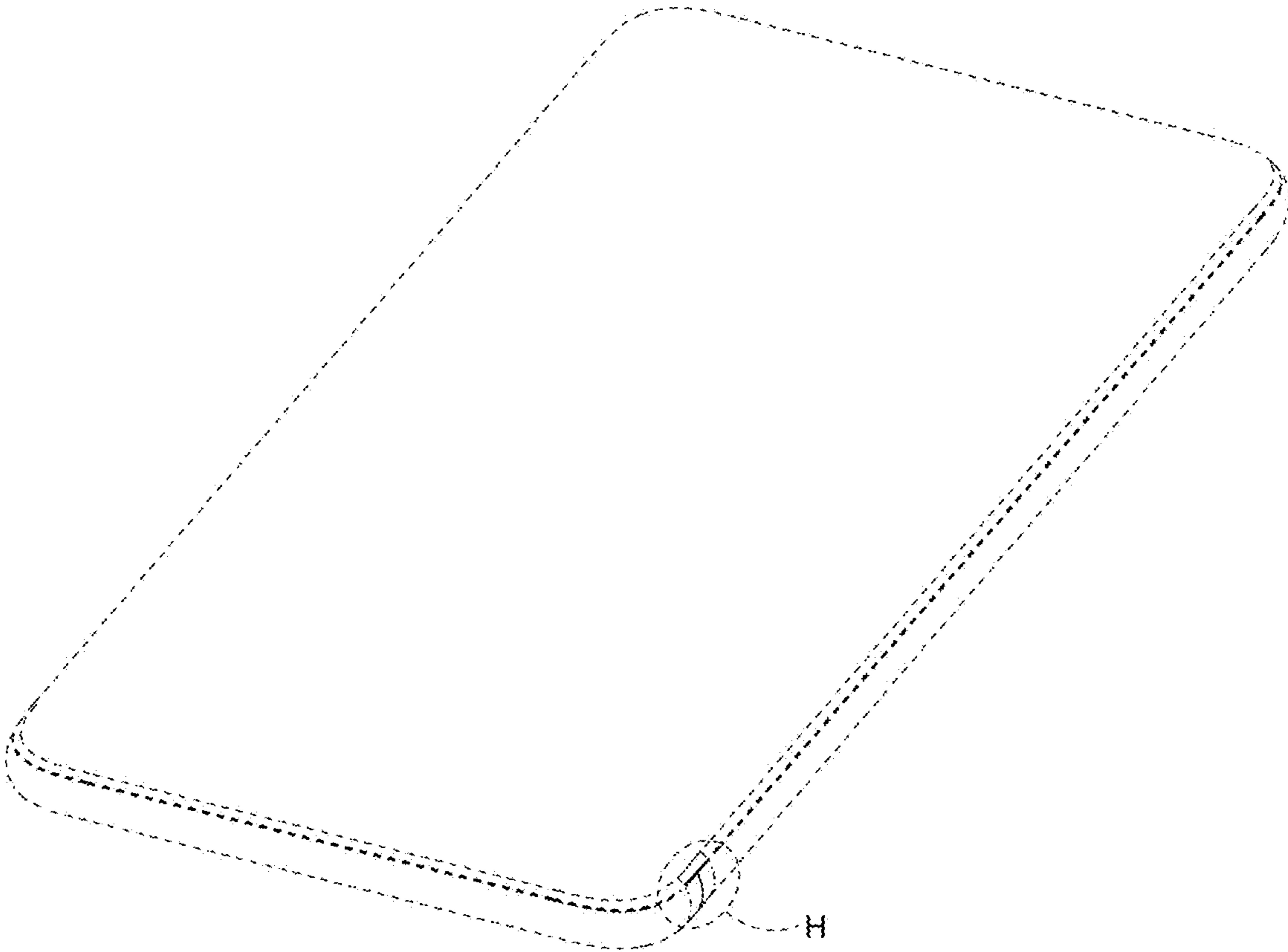


FIG. 8

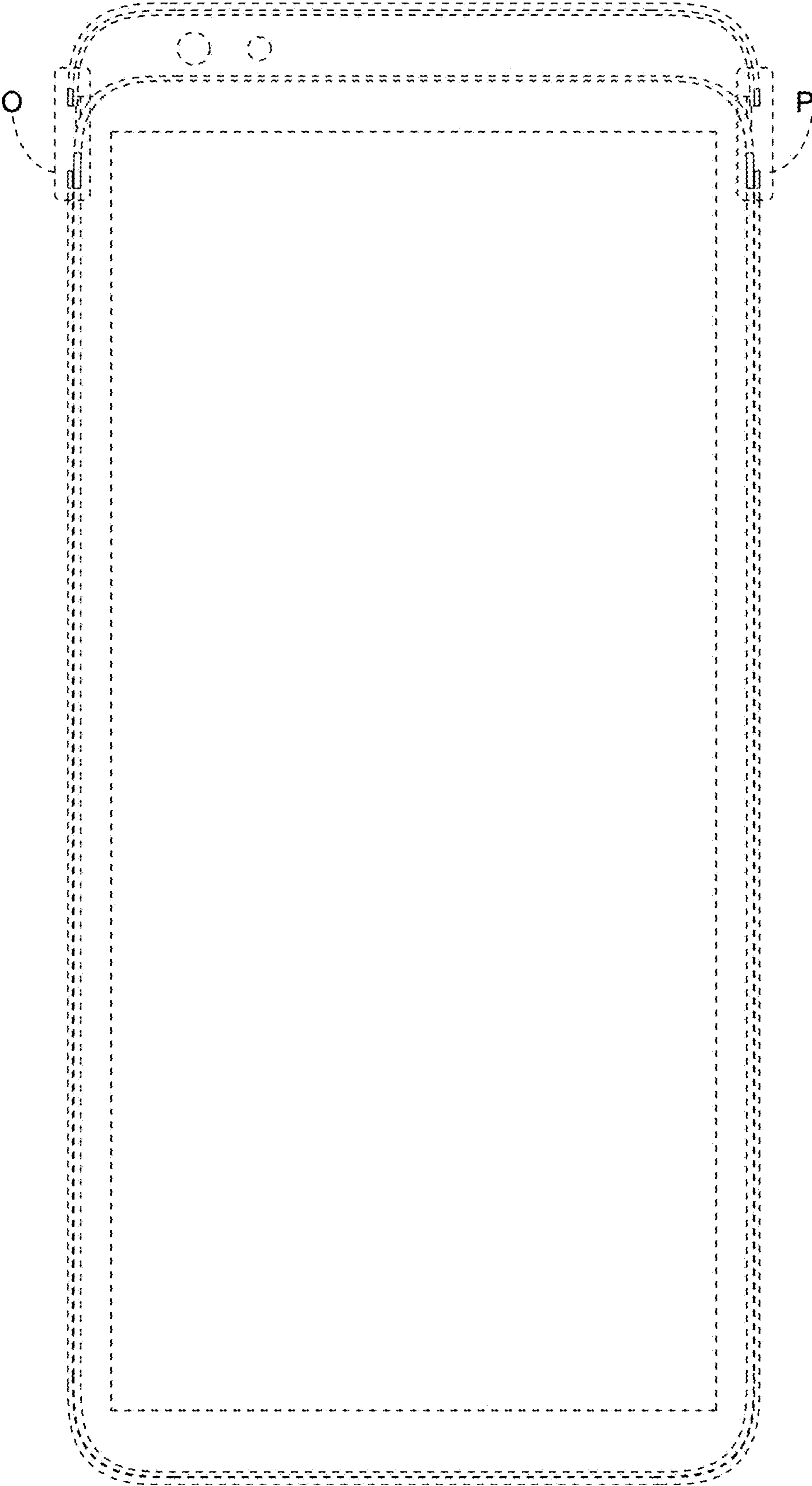


FIG. 9

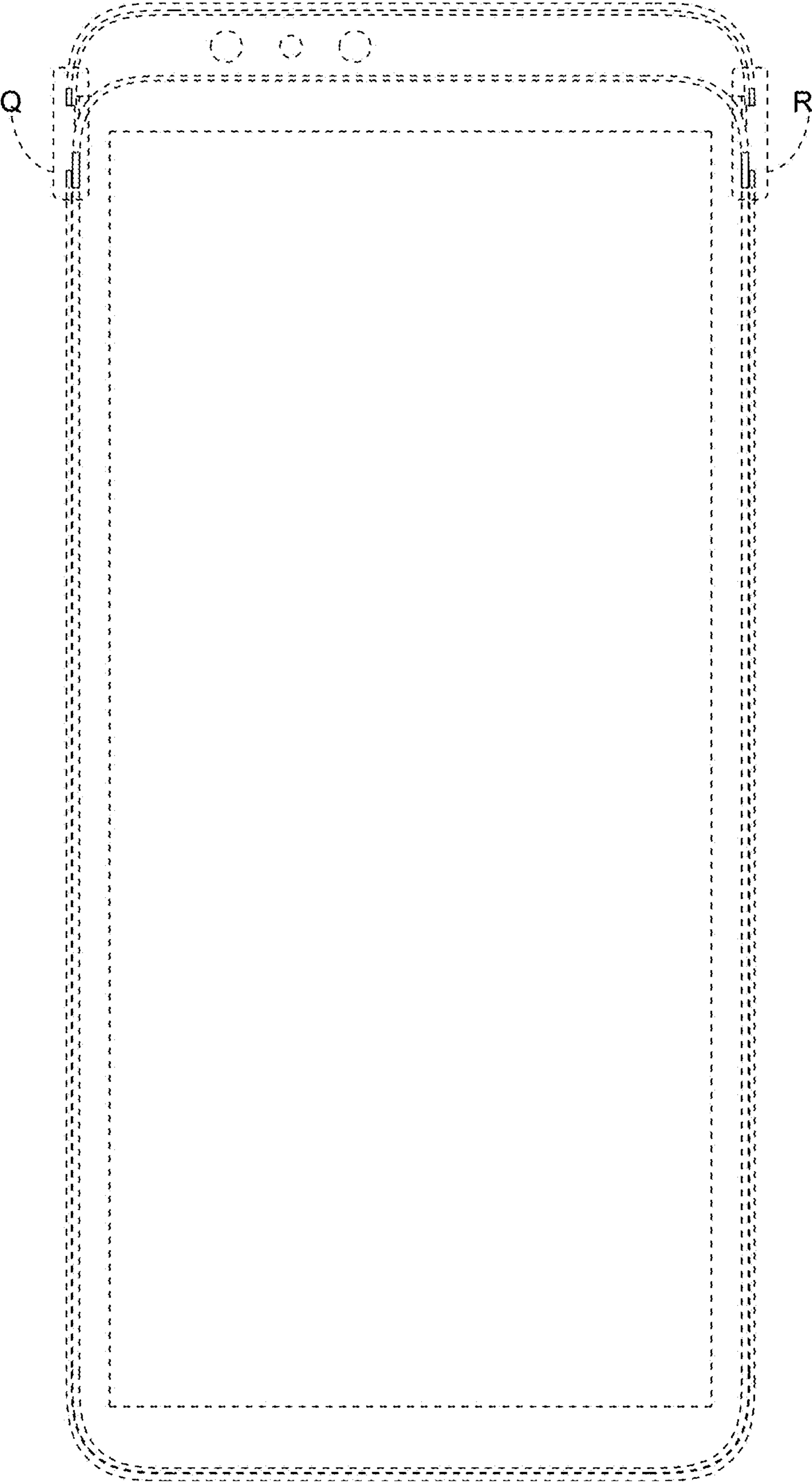


FIG. 10

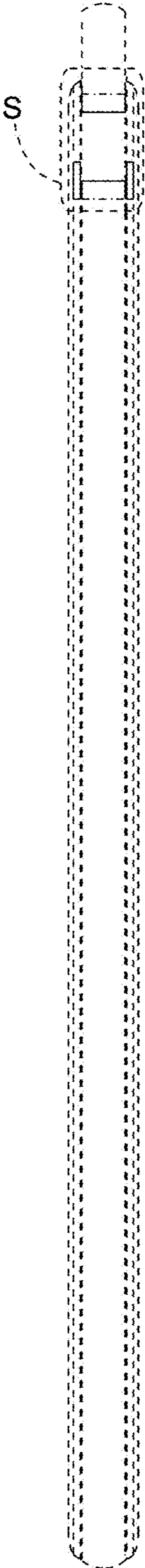


FIG. 11

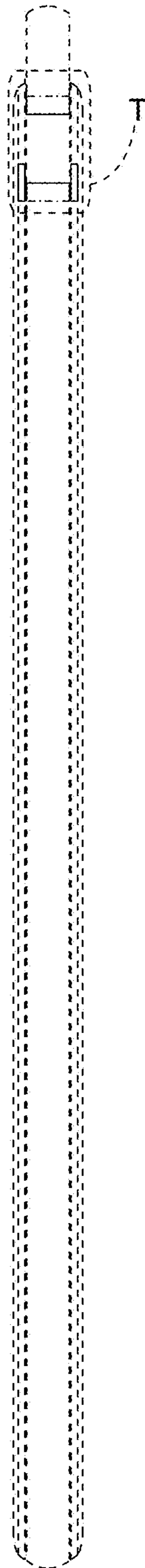


FIG. 12

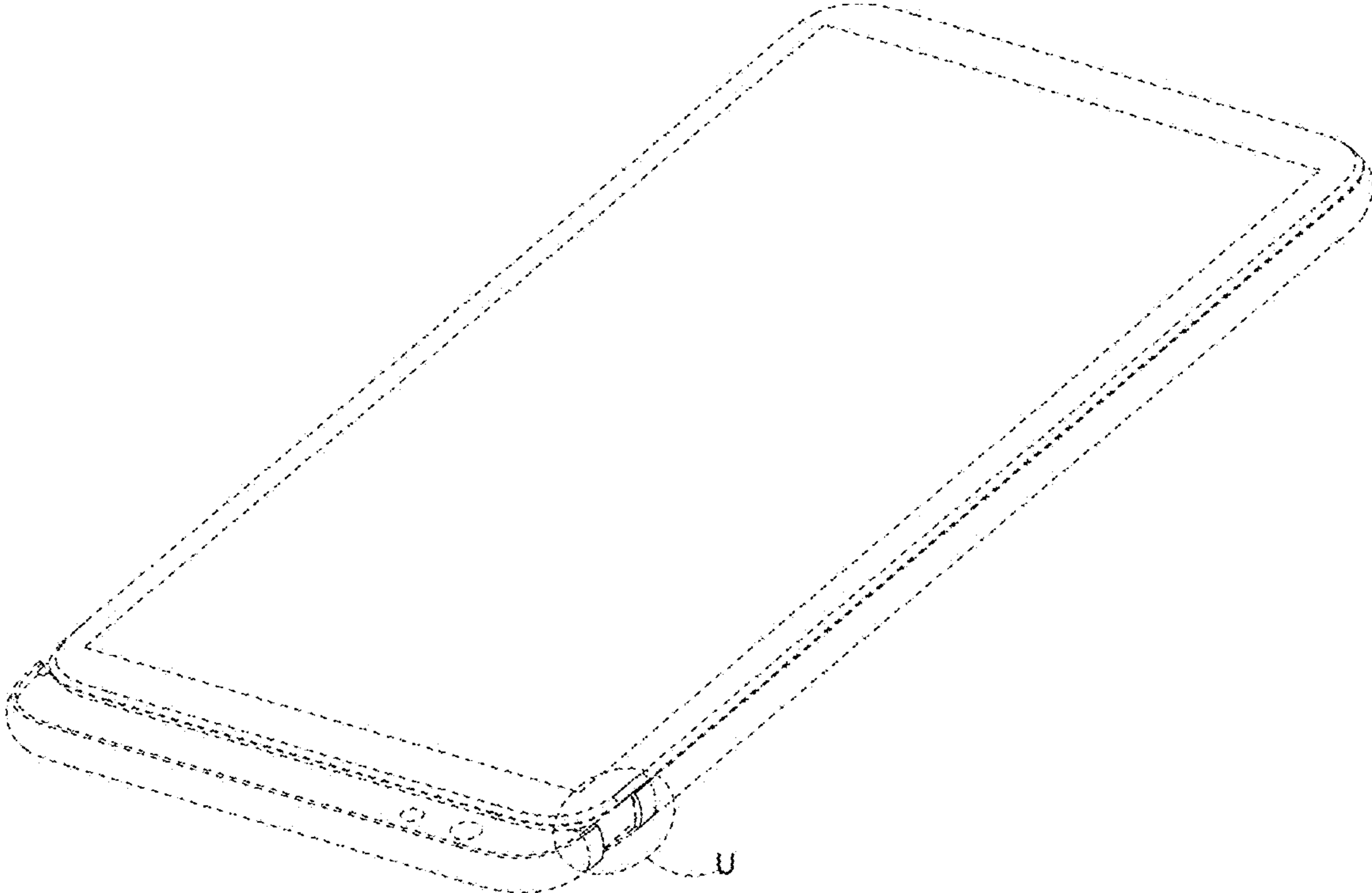


FIG. 13

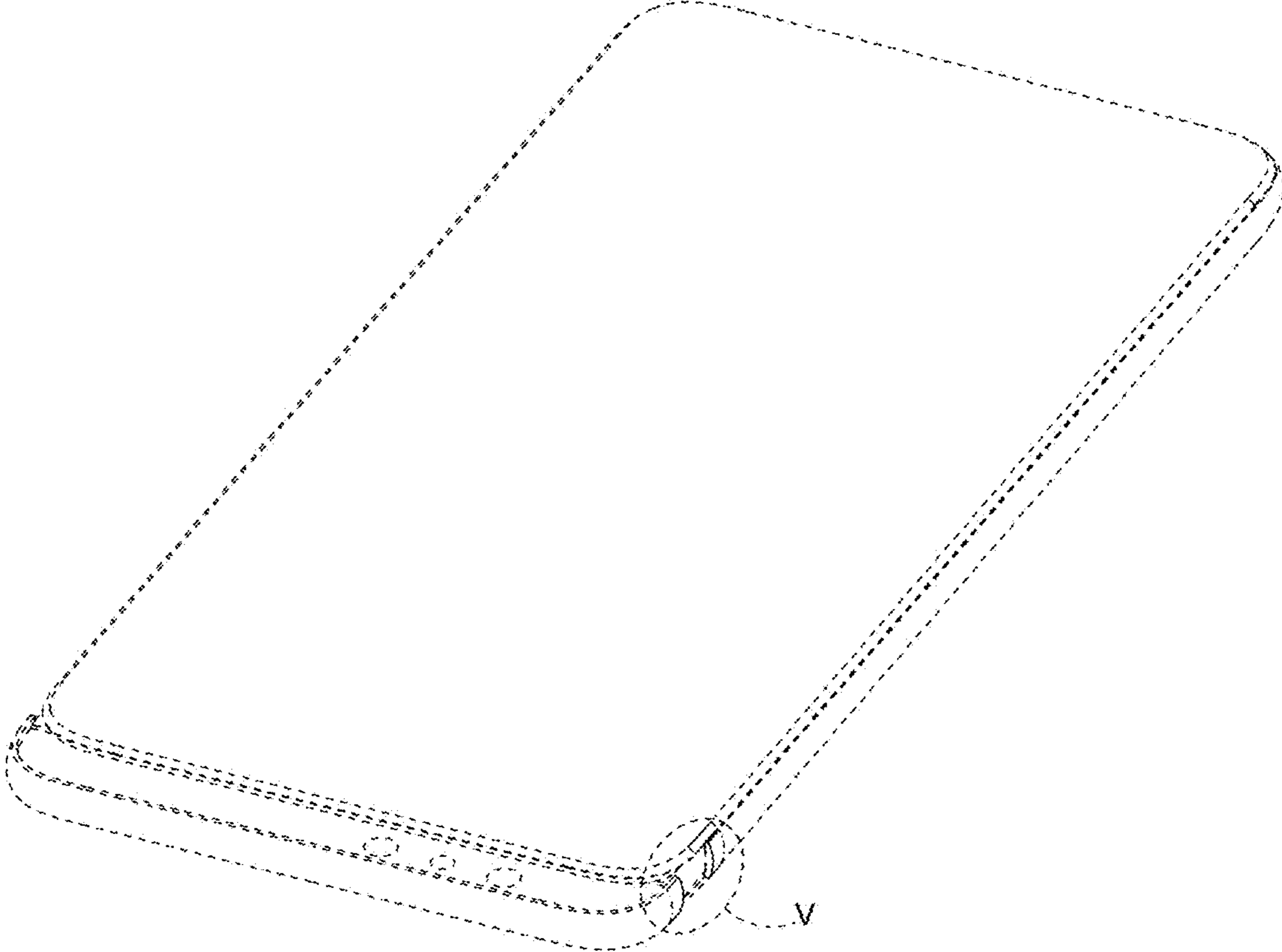


FIG. 14

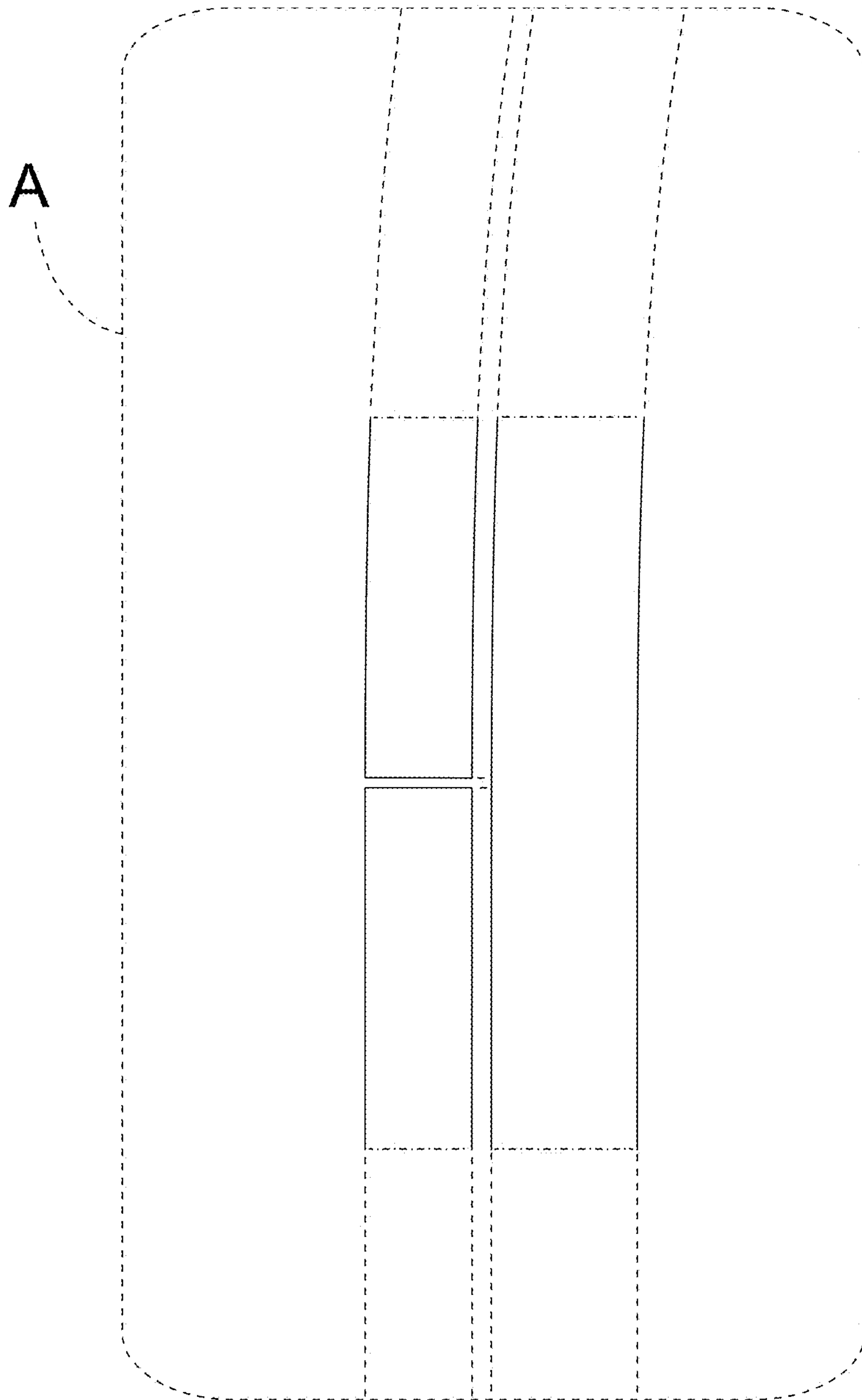


FIG. 15

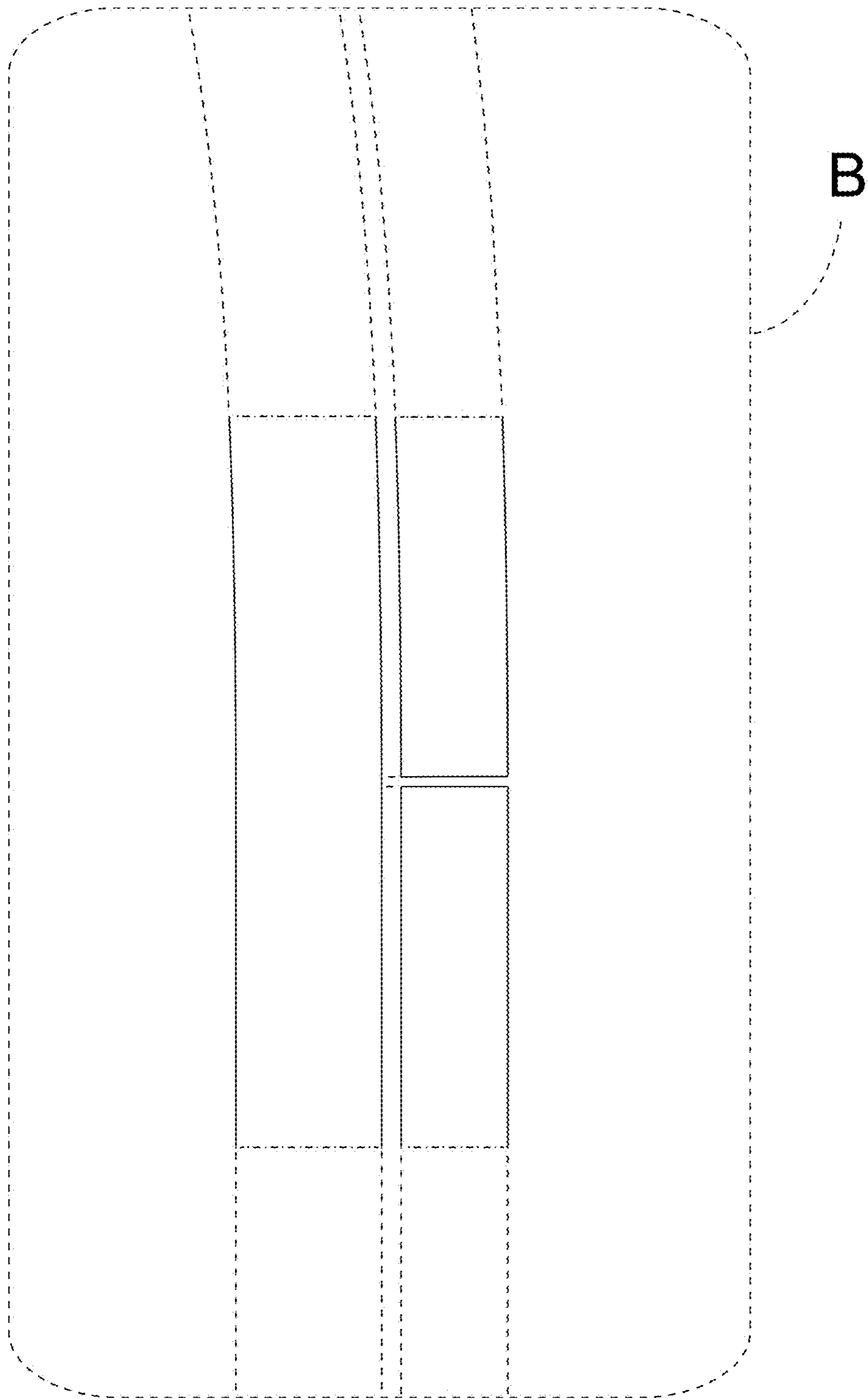


FIG. 16

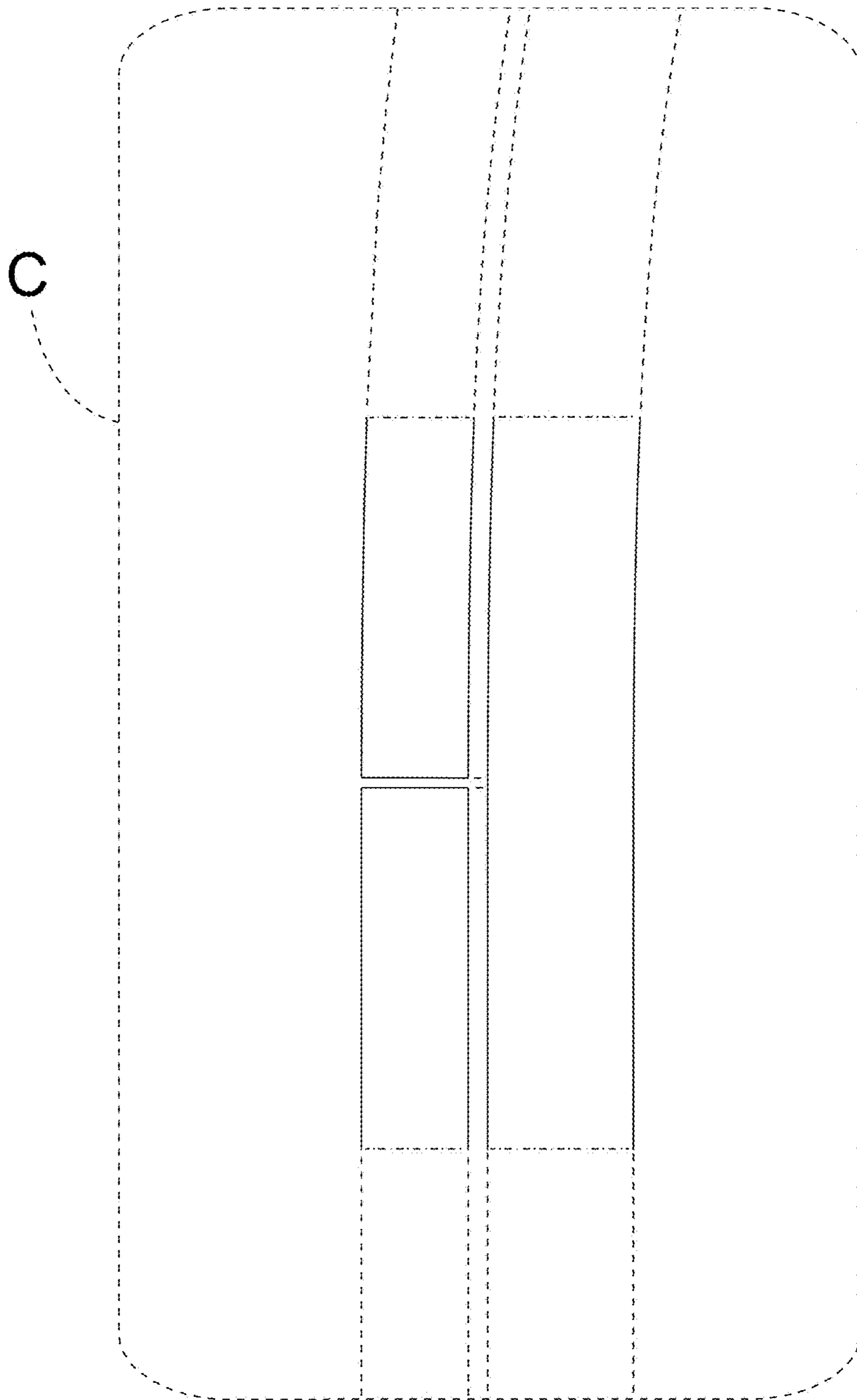


FIG.17

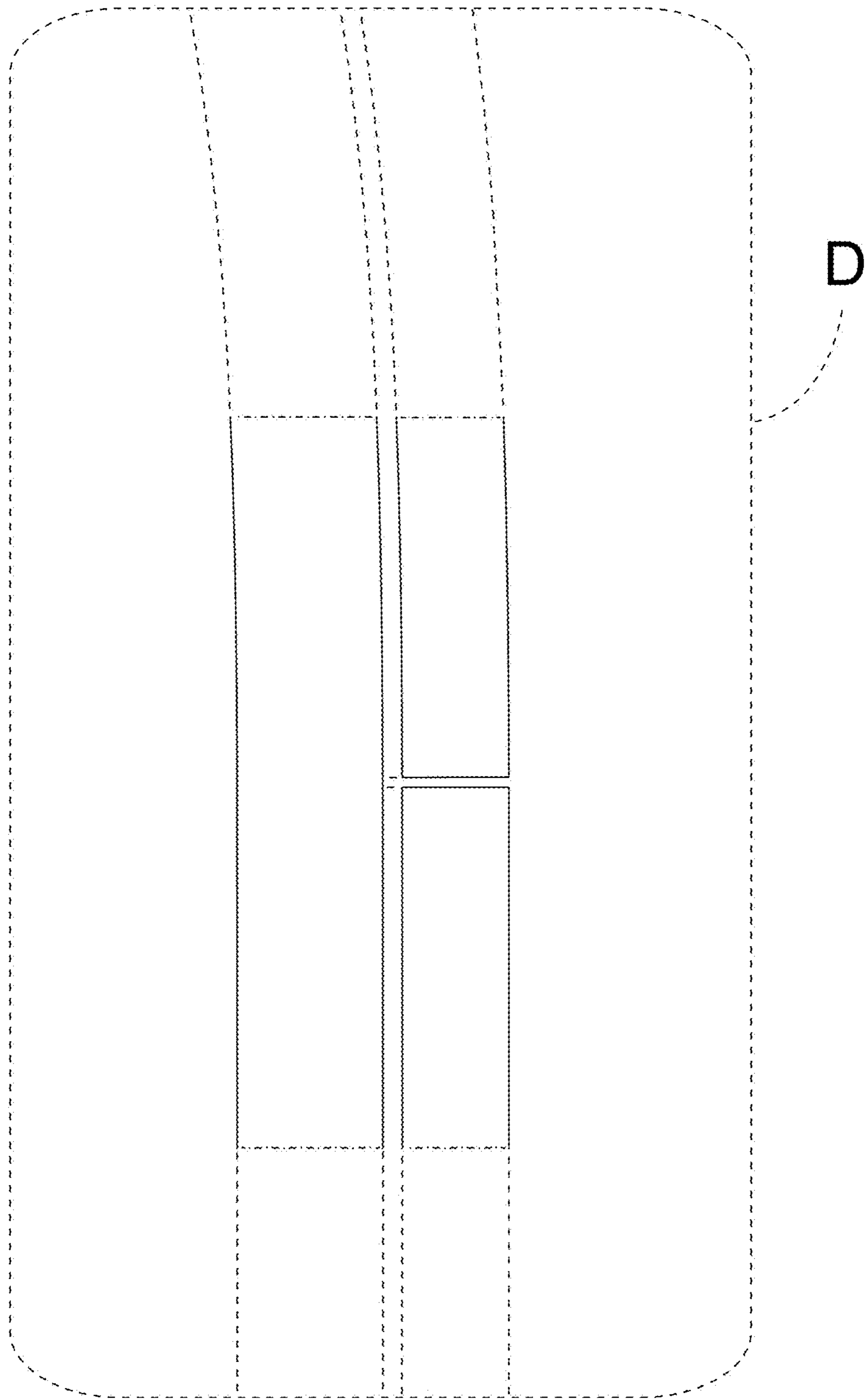


FIG.18

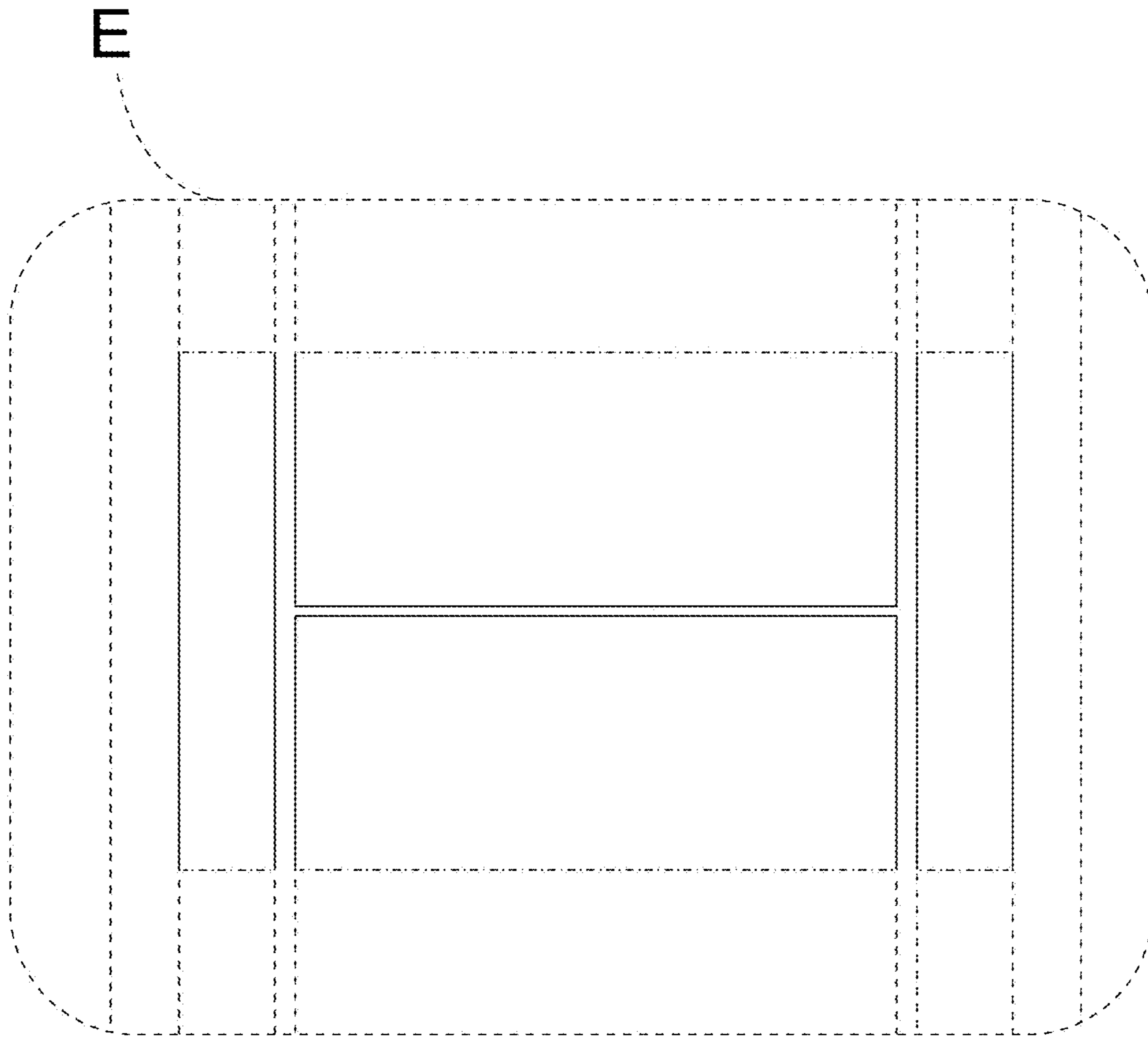


FIG. 19

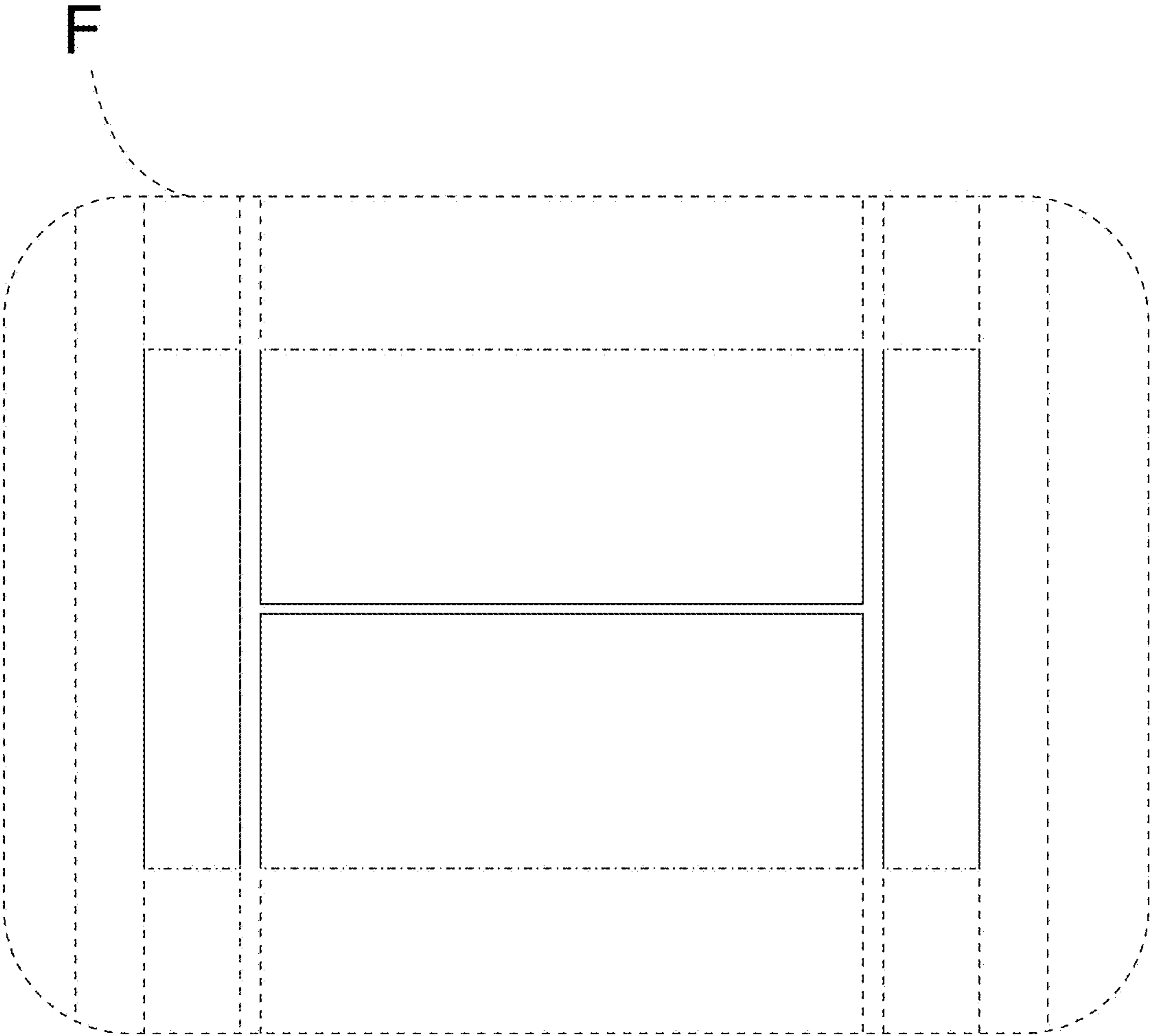


FIG. 20

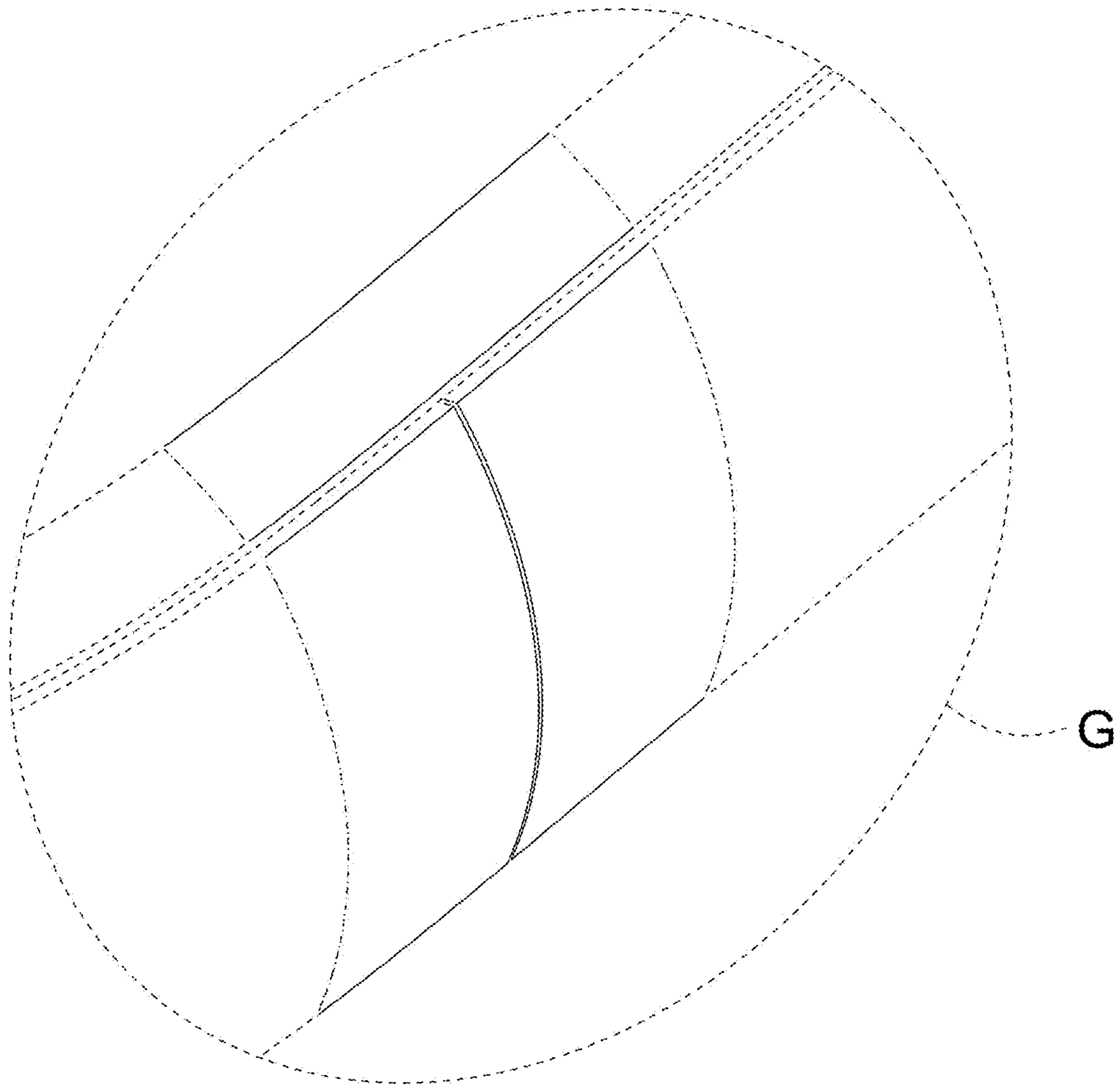


FIG. 21

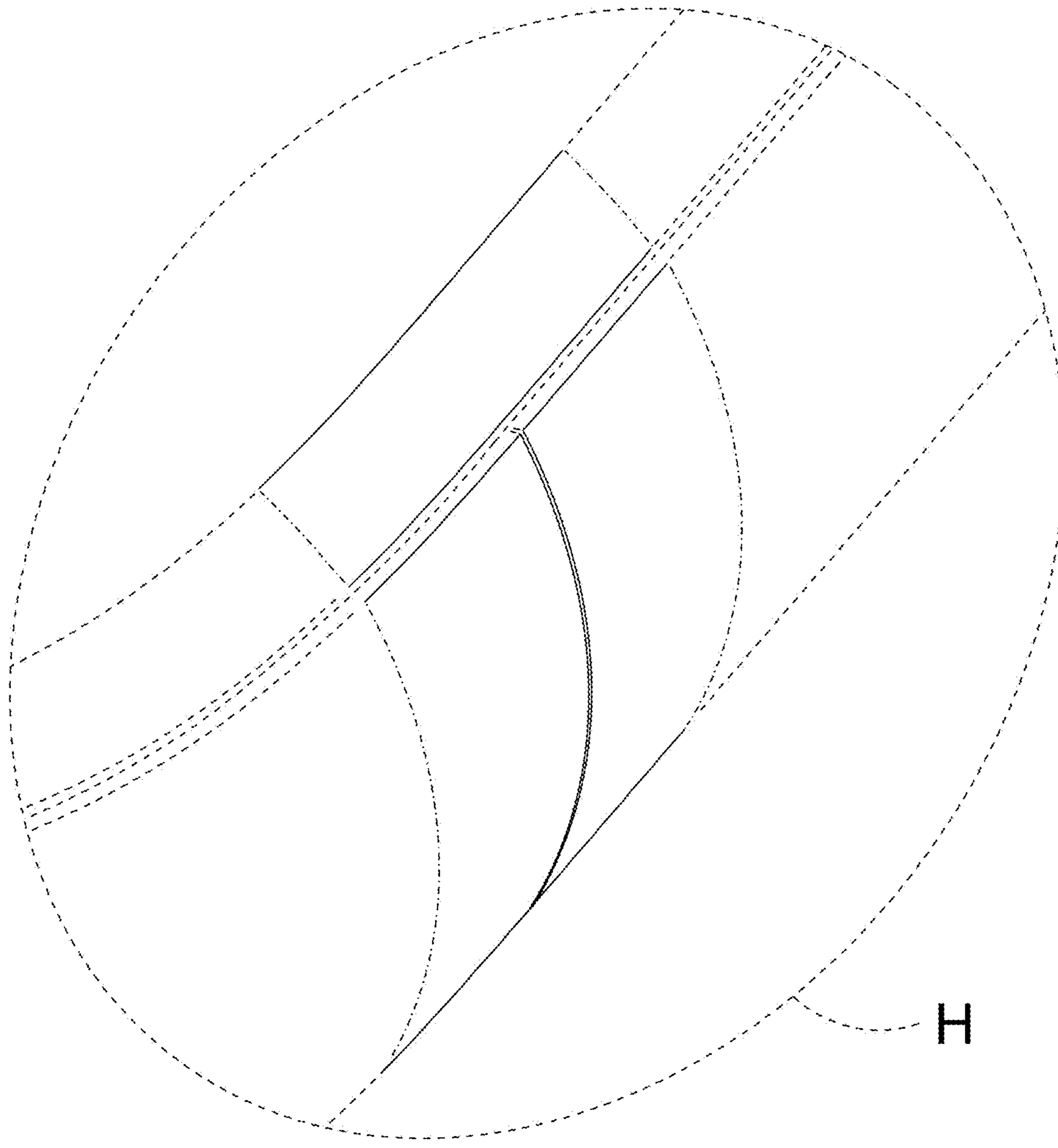


FIG. 22

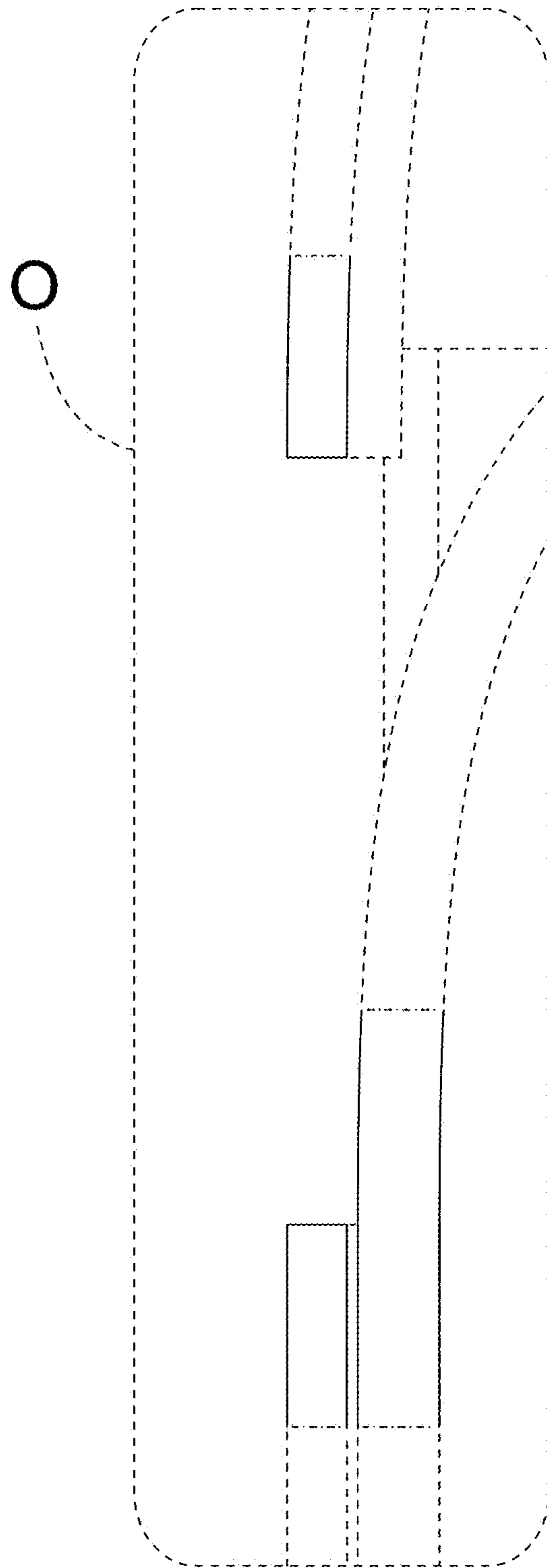


FIG. 23

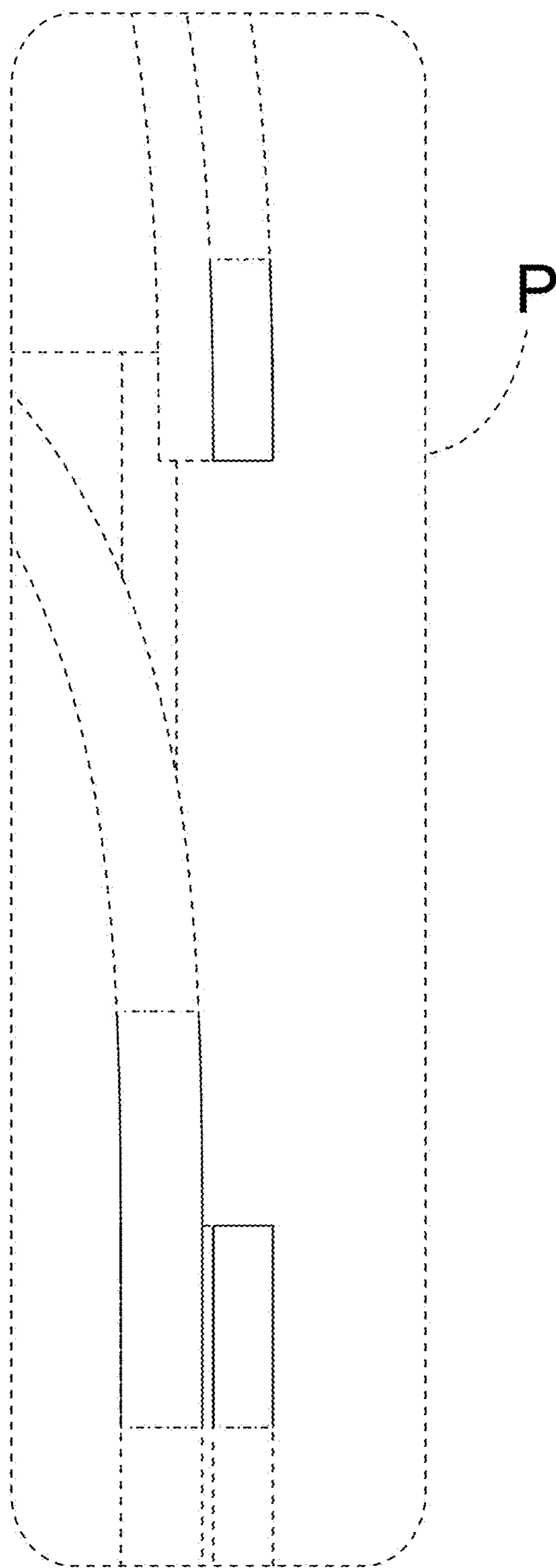


FIG. 24

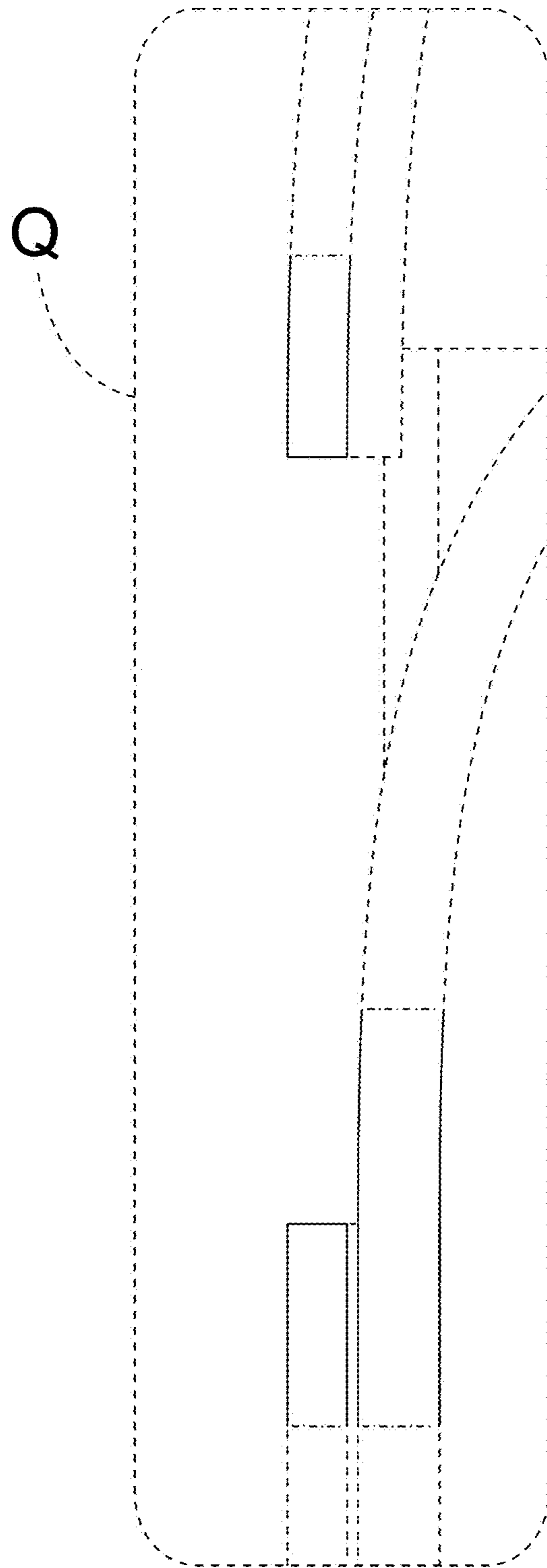


FIG. 25

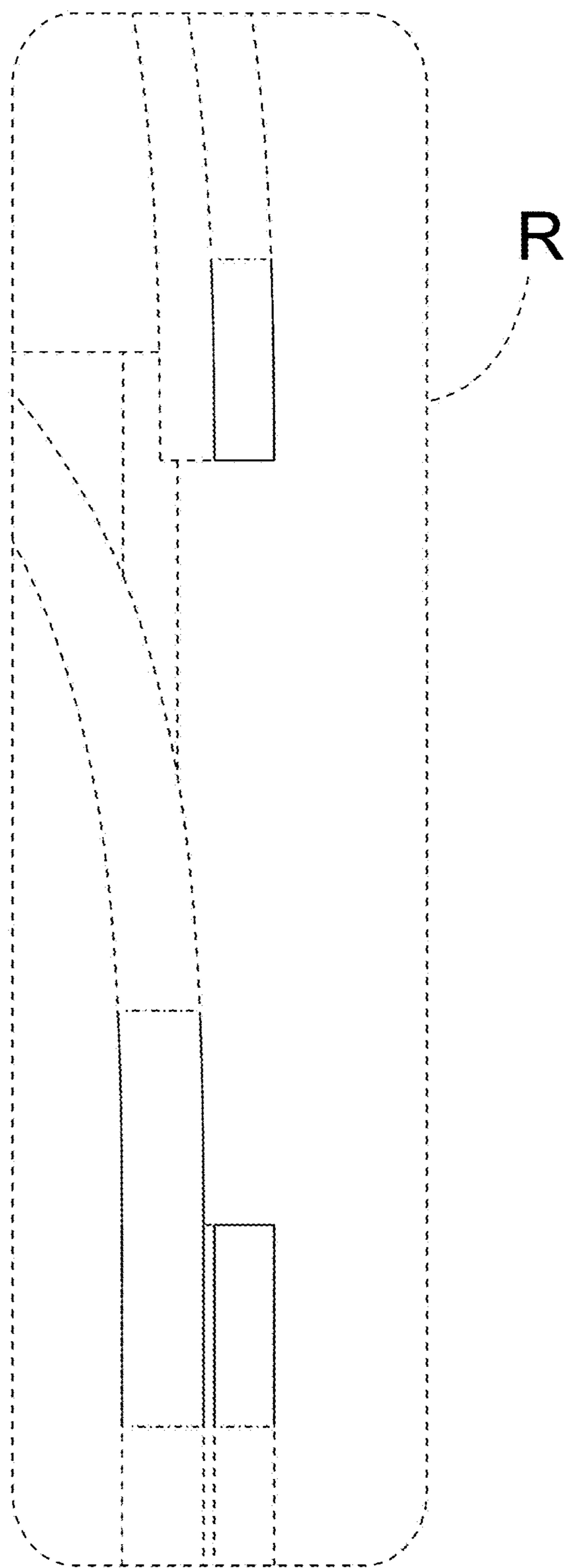


FIG. 26

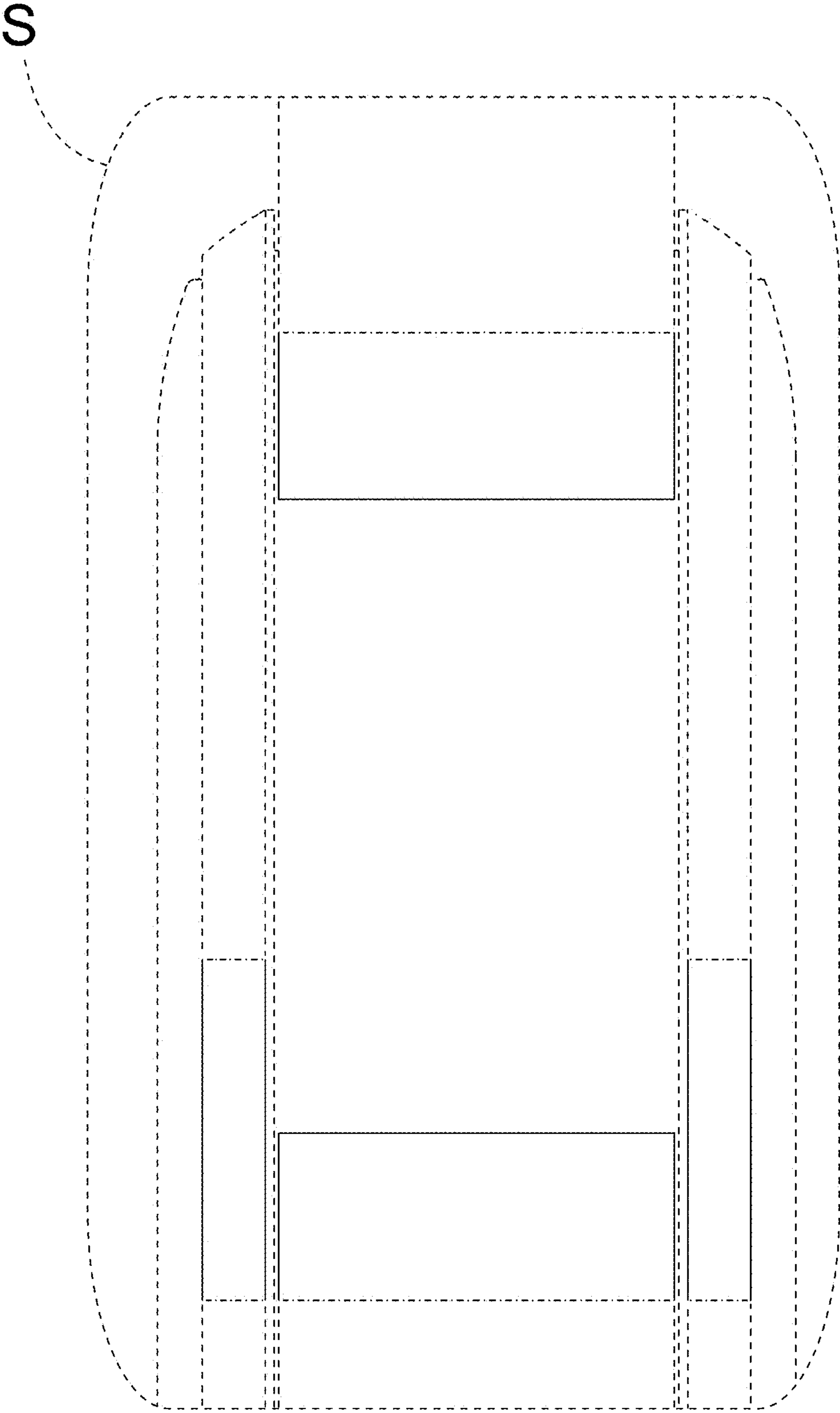


FIG. 27

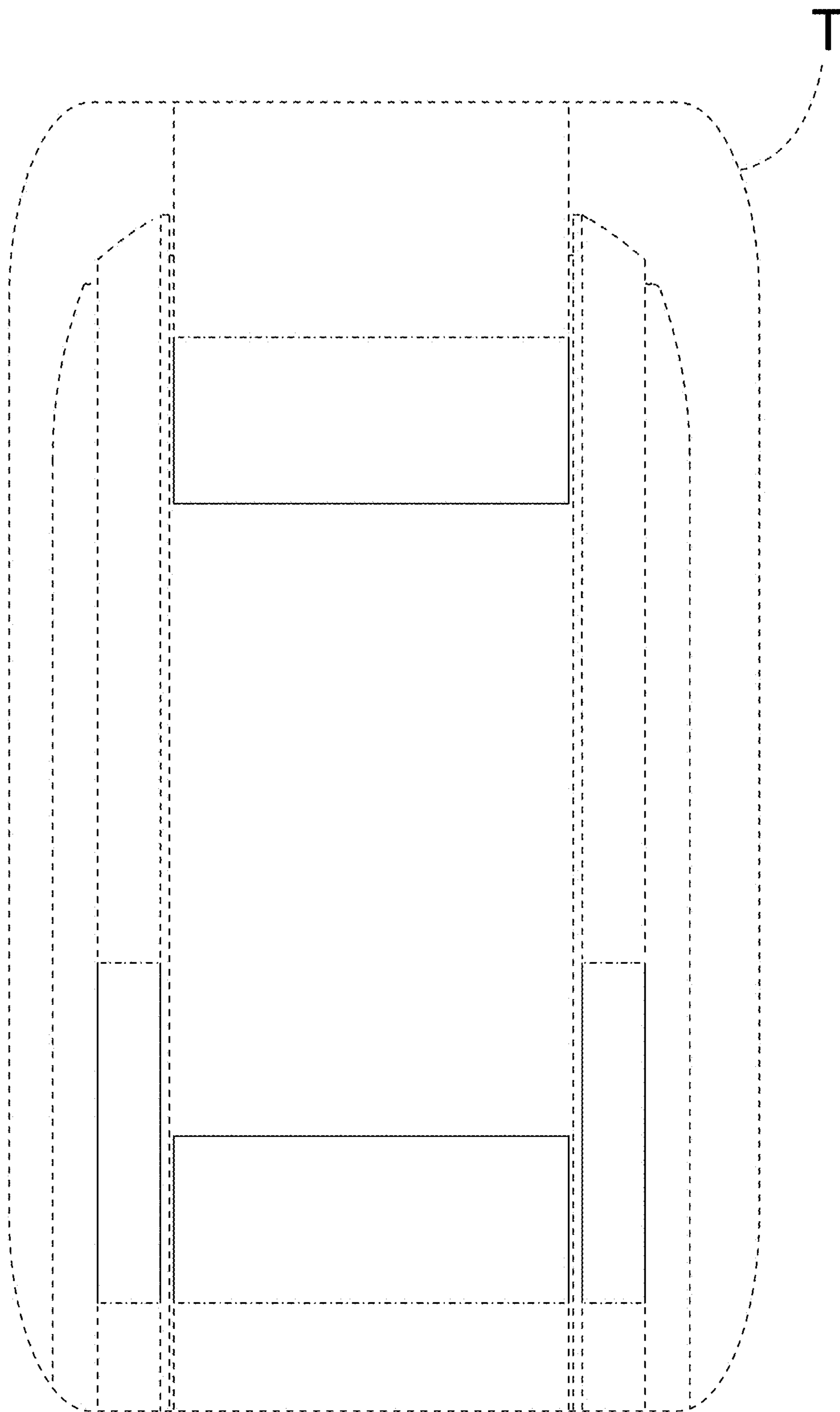


FIG. 28

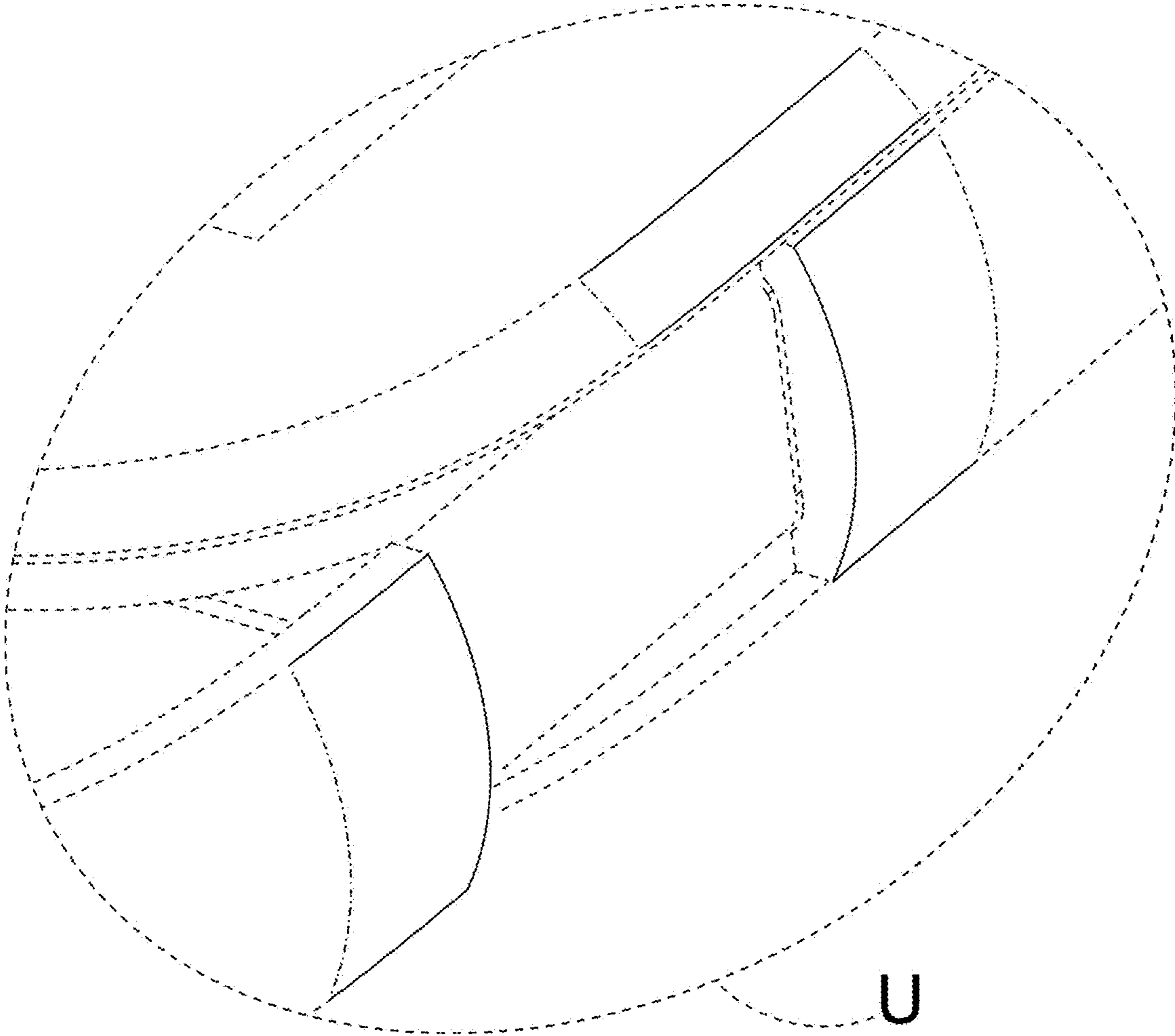


FIG. 29

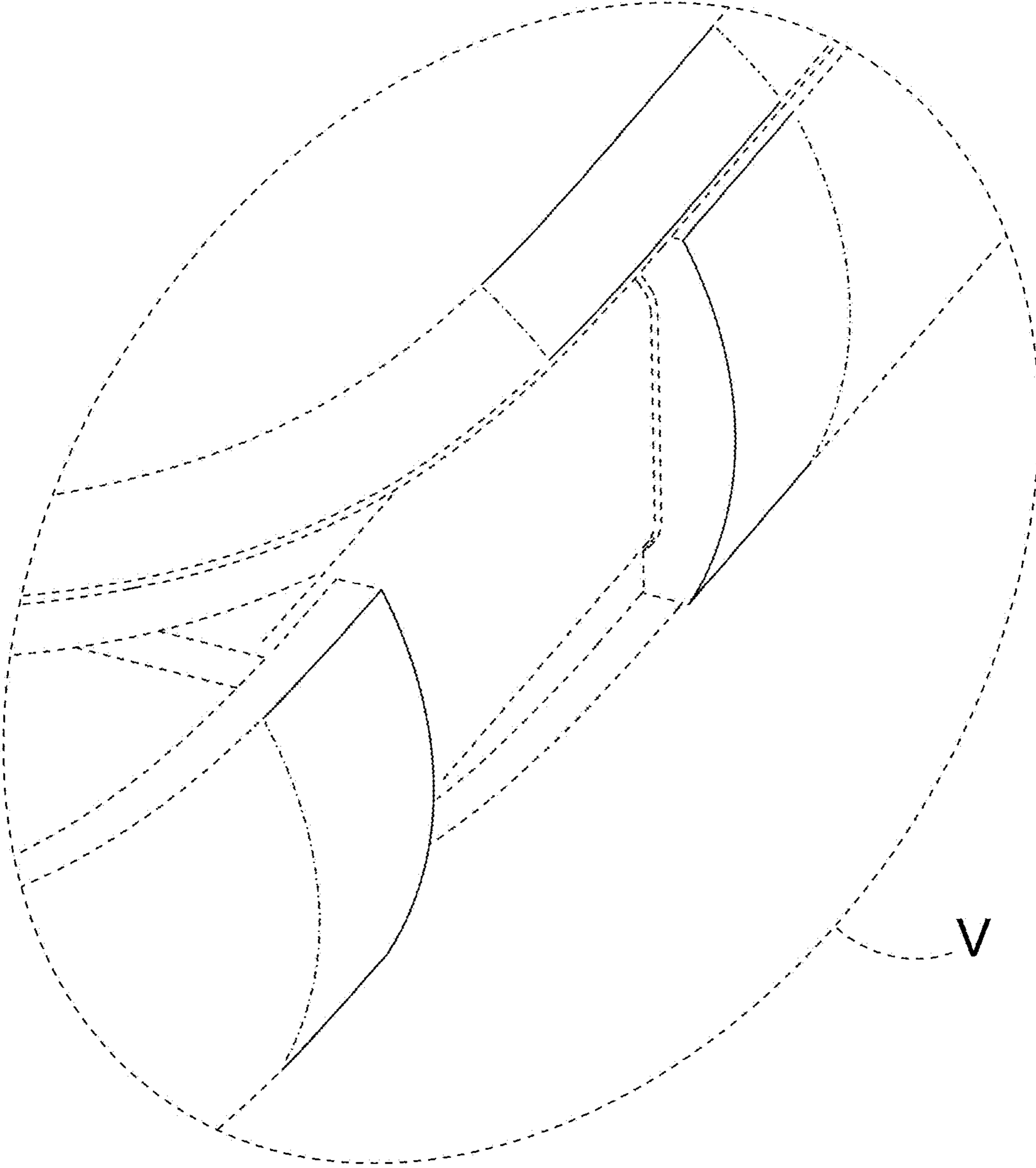


FIG. 30