



US00D898002S

(12) **United States Design Patent**
Chen

(10) **Patent No.:** **US D898,002 S**

(45) **Date of Patent:** **** Oct. 6, 2020**

- (54) **MICROPHONE**
- (71) Applicant: **Ching-Wen Chen**, Taipei (TW)
- (72) Inventor: **Ching-Wen Chen**, Taipei (TW)
- (**) Term: **15 Years**
- (21) Appl. No.: **29/688,864**
- (22) Filed: **Apr. 25, 2019**
- (51) **LOC (12) Cl.** **14-01**
- (52) **U.S. Cl.**
USPC **D14/228**
- (58) **Field of Classification Search**
USPC D14/224–229; D16/244; D17/99;
D6/681; 248/125.1, 166, 185.1;
381/355, 359, 361–363, 365, 366, 369,
381/375; 379/428.01, 428.04, 431,
379/433.03
CPC . H04R 25/00; H04R 1/02; H04R 5/02; H04R
9/08; F16M 11/38; F16M 13/00; F16M
11/00
See application file for complete search history.

- D507,262 S * 7/2005 Liu D14/228
- 6,968,070 B1 * 11/2005 Chiang H04R 1/08
381/355
- D585,434 S * 1/2009 Ganley D14/225
- D589,033 S * 3/2009 Thusbass D14/228
- D598,011 S * 8/2009 Thusbass D14/225
- 7,978,869 B2 * 7/2011 Chang H04R 1/04
381/355
- D713,390 S * 9/2014 Ibuki D14/228
- D713,391 S * 9/2014 Ibuki D14/228
- D834,563 S * 11/2018 Ohashi D14/225

* cited by examiner

Primary Examiner — Katie Jane Stofko

(57) **CLAIM**

The ornamental design for a microphone, as shown and described.

DESCRIPTION

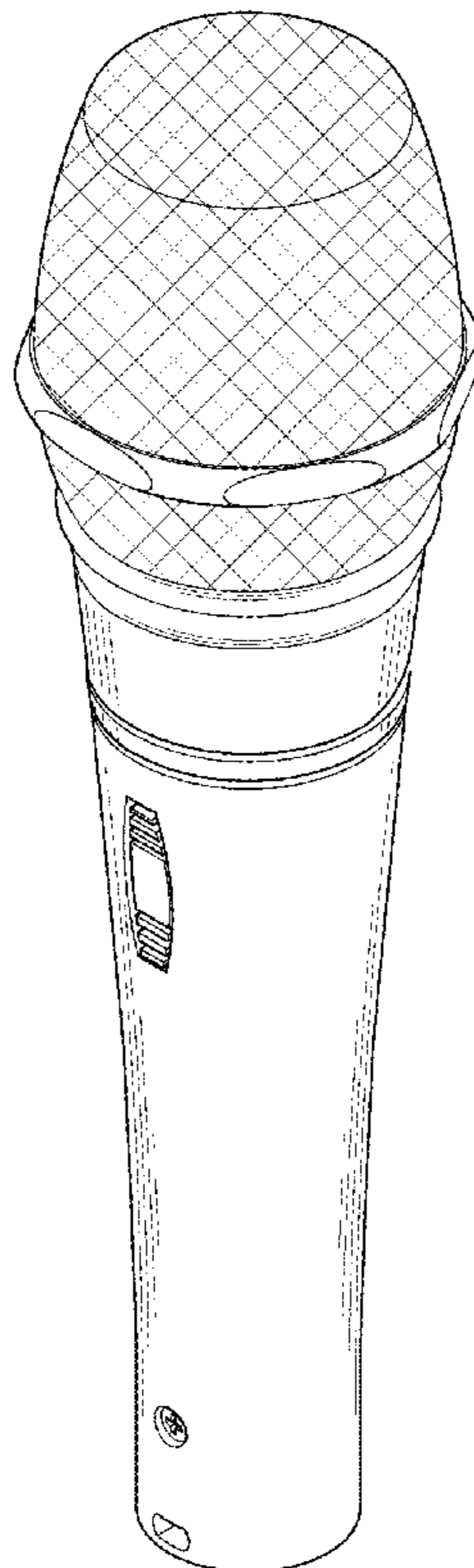
FIG. 1 is a top perspective view of a microphone showing my new design;
 FIG. 2 is a front elevation view thereof;
 FIG. 3 is a rear elevation view thereof;
 FIG. 4 is a left side elevation view thereof;
 FIG. 5 is a right side elevation view thereof;
 FIG. 6 is a top plan view thereof; and,
 FIG. 7 is a bottom plan view thereof.
 The broken lines in FIG. 7 illustrate portions of the microphone that form no part of the claimed design.

1 Claim, 7 Drawing Sheets

(56) **References Cited**

U.S. PATENT DOCUMENTS

- D302,819 S * 8/1989 Kubota D14/228
- D435,037 S * 12/2000 Liu D14/228
- D475,699 S * 6/2003 Thornton D14/228
- 6,597,796 B2 * 7/2003 Chang H04R 1/08
338/178



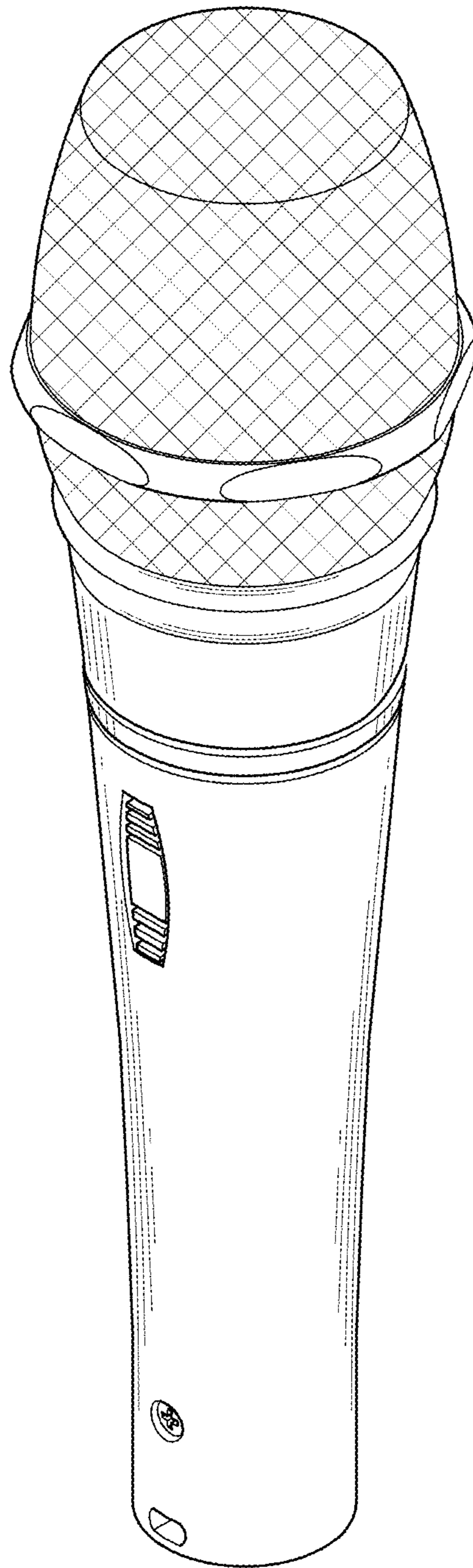


Fig.1

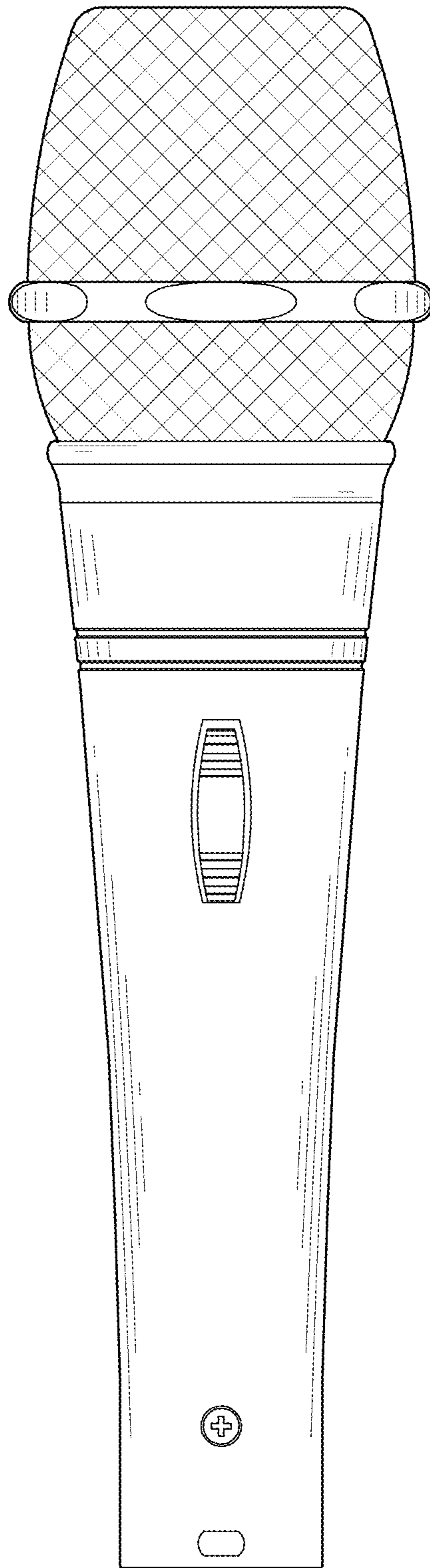


Fig.2

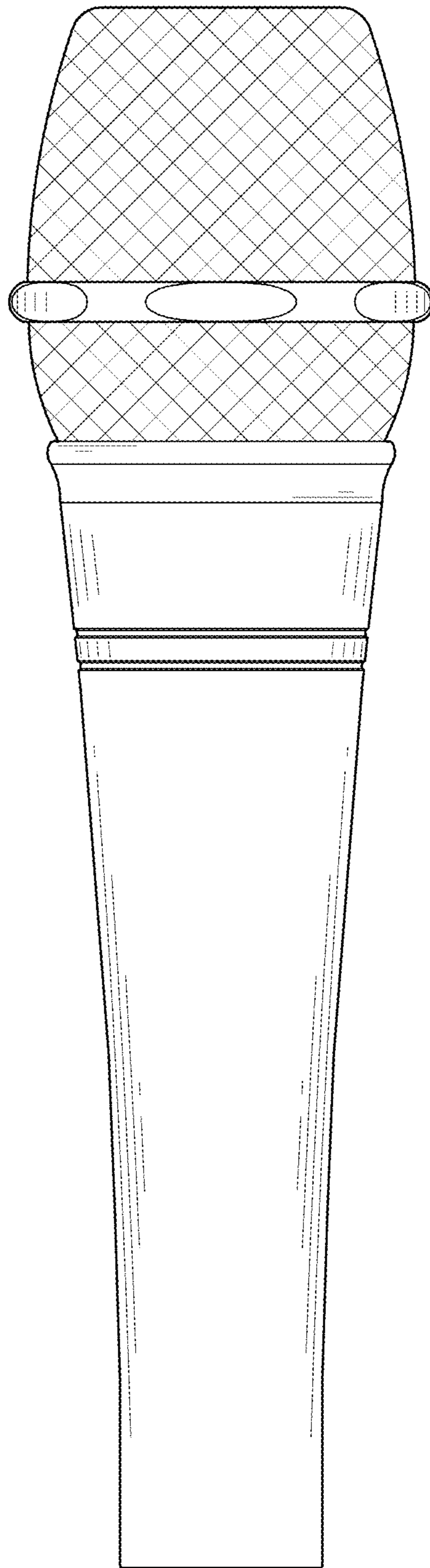


Fig.3

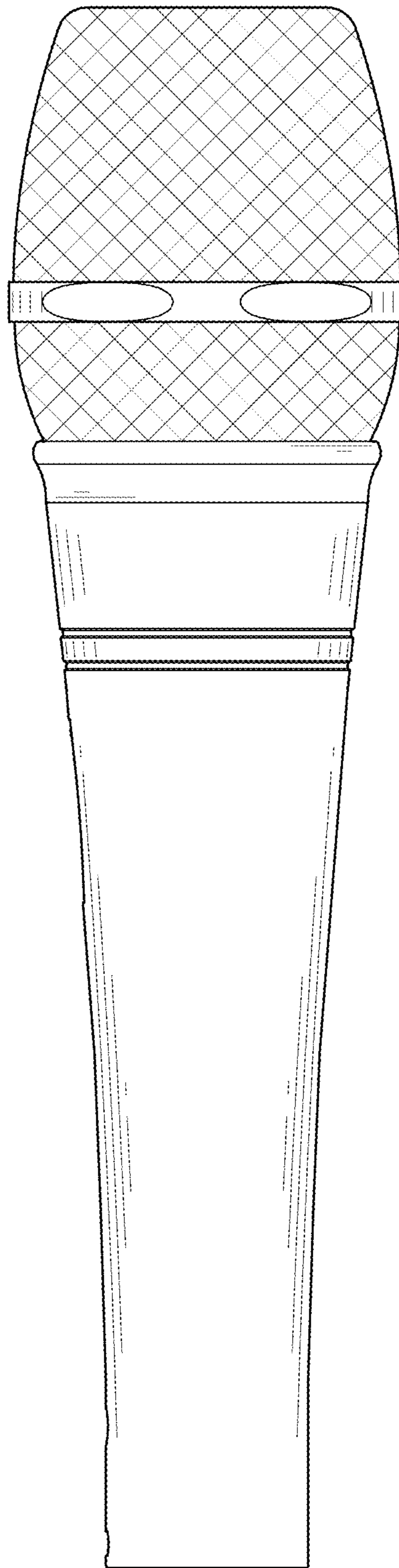


Fig.4

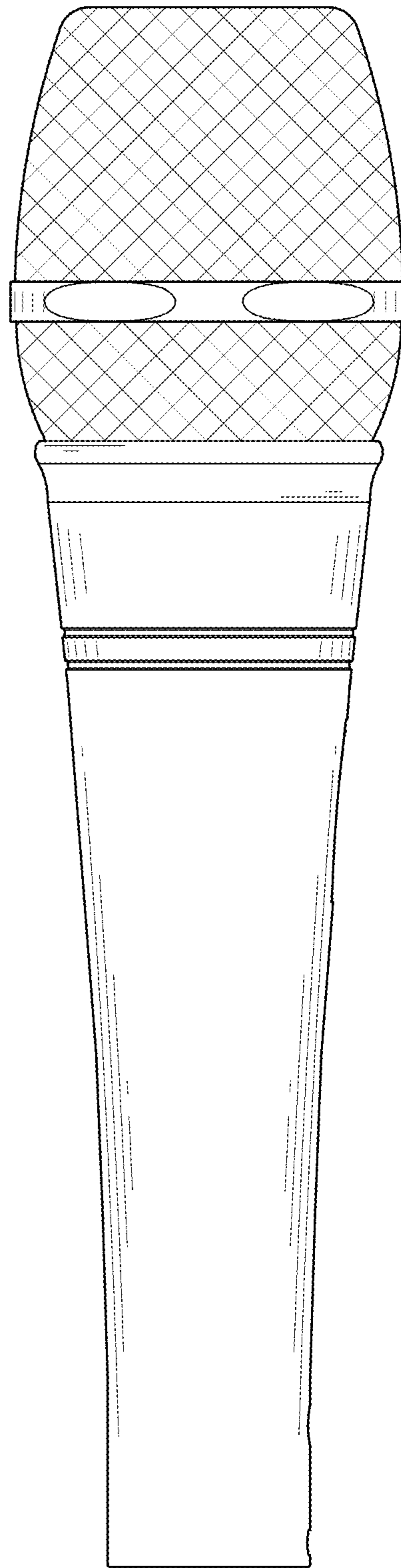


Fig.5

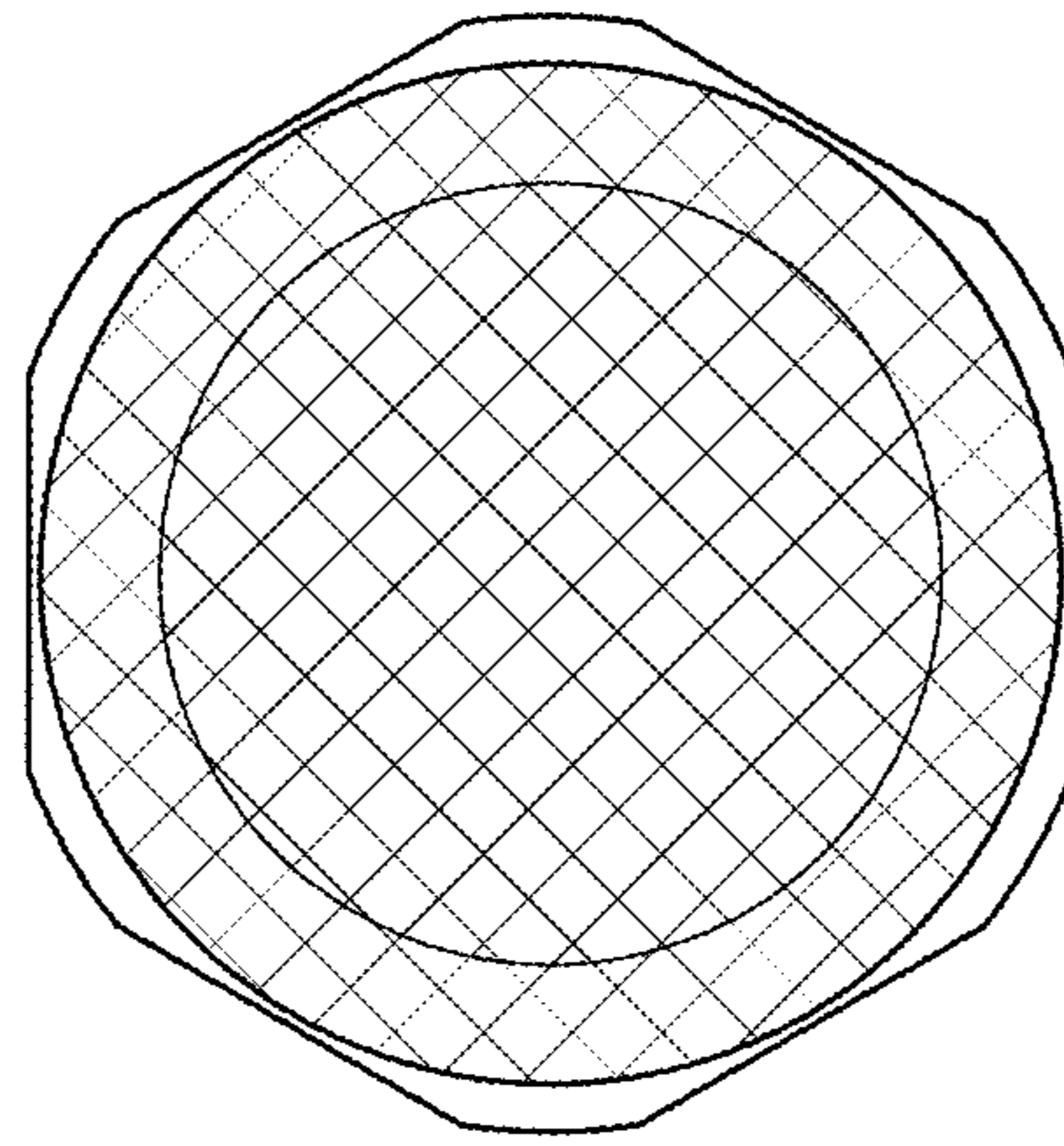


Fig.6

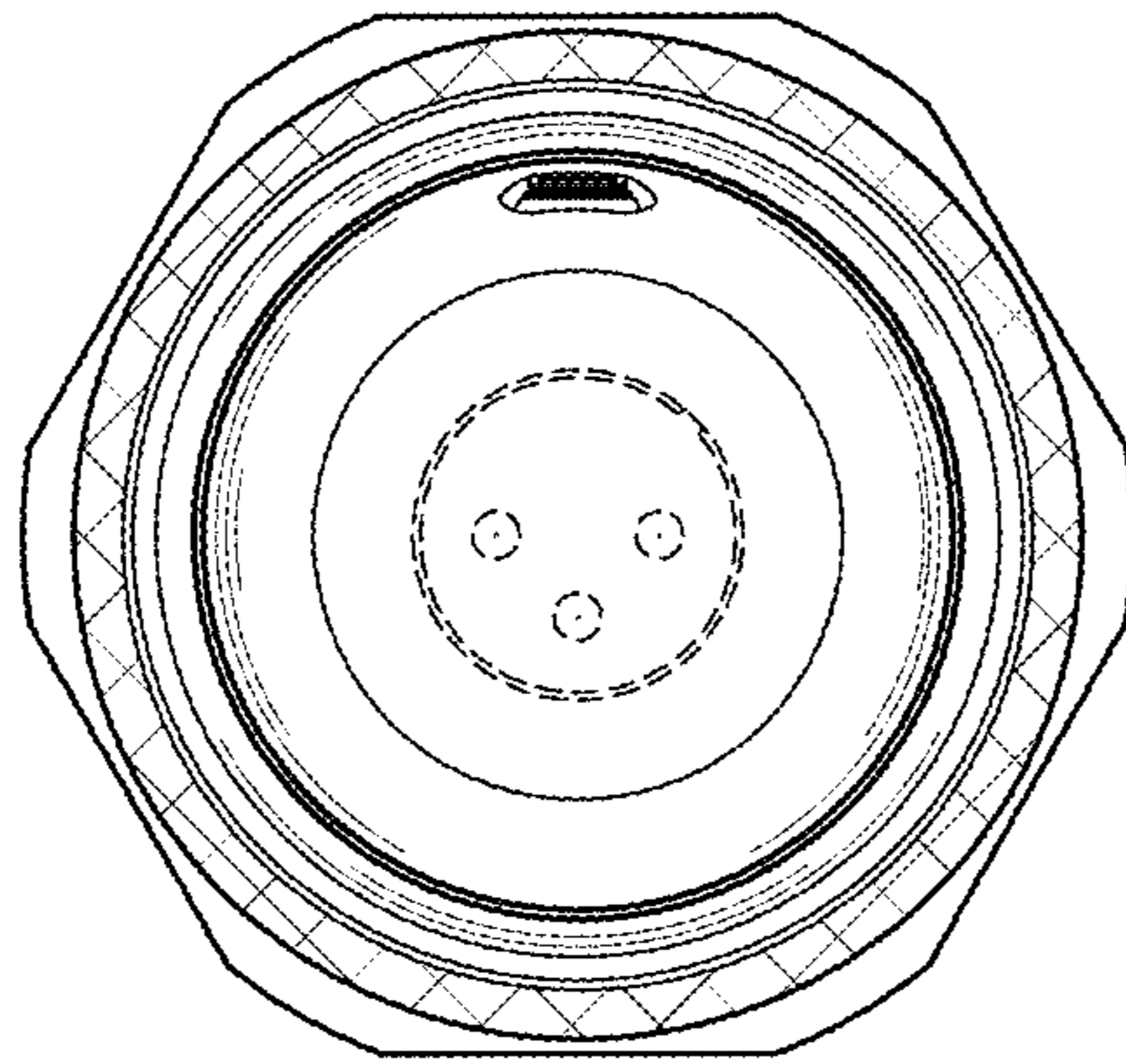


Fig.7