



US00D898001S

(12) **United States Design Patent**  
**Chen**

(10) **Patent No.:** **US D898,001 S**

(45) **Date of Patent:** **\*\* Oct. 6, 2020**

(54) **MICROPHONE**

(71) Applicant: **Ching-Wen Chen**, Taipei (TW)

(72) Inventor: **Ching-Wen Chen**, Taipei (TW)

(\*\*) Term: **15 Years**

(21) Appl. No.: **29/662,127**

(22) Filed: **Sep. 3, 2018**

(51) **LOC (12) Cl.** ..... **14-01**

(52) **U.S. Cl.**

USPC ..... **D14/228**

(58) **Field of Classification Search**

USPC ..... D14/221, 224, 225, 226, 227, 228, 229,

D14/150, 154, 155, 158, 160, 172

CPC ..... H04R 19/04; H04R 19/00; H04R 1/406;

H04R 1/08; H04R 1/04; H04R 1/326;

H04R 29/004; H04R 2410/00; H04R

2410/01; H04R 2410/03; H04R 2410/05;

H04R 2410/07; H04R 2420/07; H04R

17/02

See application file for complete search history.

(56) **References Cited**

**U.S. PATENT DOCUMENTS**

D412,708 S	*	8/1999	Okon	.....	D14/228
D531,171 S	*	10/2006	Gustafson	.....	D14/228
D563,391 S	*	3/2008	Skurdal	.....	D14/172
D594,856 S	*	6/2009	Marshall	.....	D14/228
D687,420 S	*	8/2013	Trewartha	.....	D14/225
D719,140 S	*	12/2014	Sanhui	.....	D14/225

D742,358 S	*	11/2015	Alves	.....	D14/216
D765,618 S	*	9/2016	Alves	.....	D14/216
D810,055 S	*	2/2018	Levine	.....	D14/226
D842,278 S	*	3/2019	Tong	.....	D14/227
D859,370 S	*	9/2019	Slaton	.....	D14/225

**FOREIGN PATENT DOCUMENTS**

CN	201930429905.4	*	8/2019
CN	201930432797.6	*	8/2019

\* cited by examiner

*Primary Examiner* — Dana K Weiland

*Assistant Examiner* — Messina L Smith

(57) **CLAIM**

The ornamental design for a microphone, as shown and described.

**DESCRIPTION**

FIG. 1 is a top perspective view of a microphone showing my new design;

FIG. 2 is a front view thereof;

FIG. 3 is a rear view thereof;

FIG. 4 is a left elevational side view thereof;

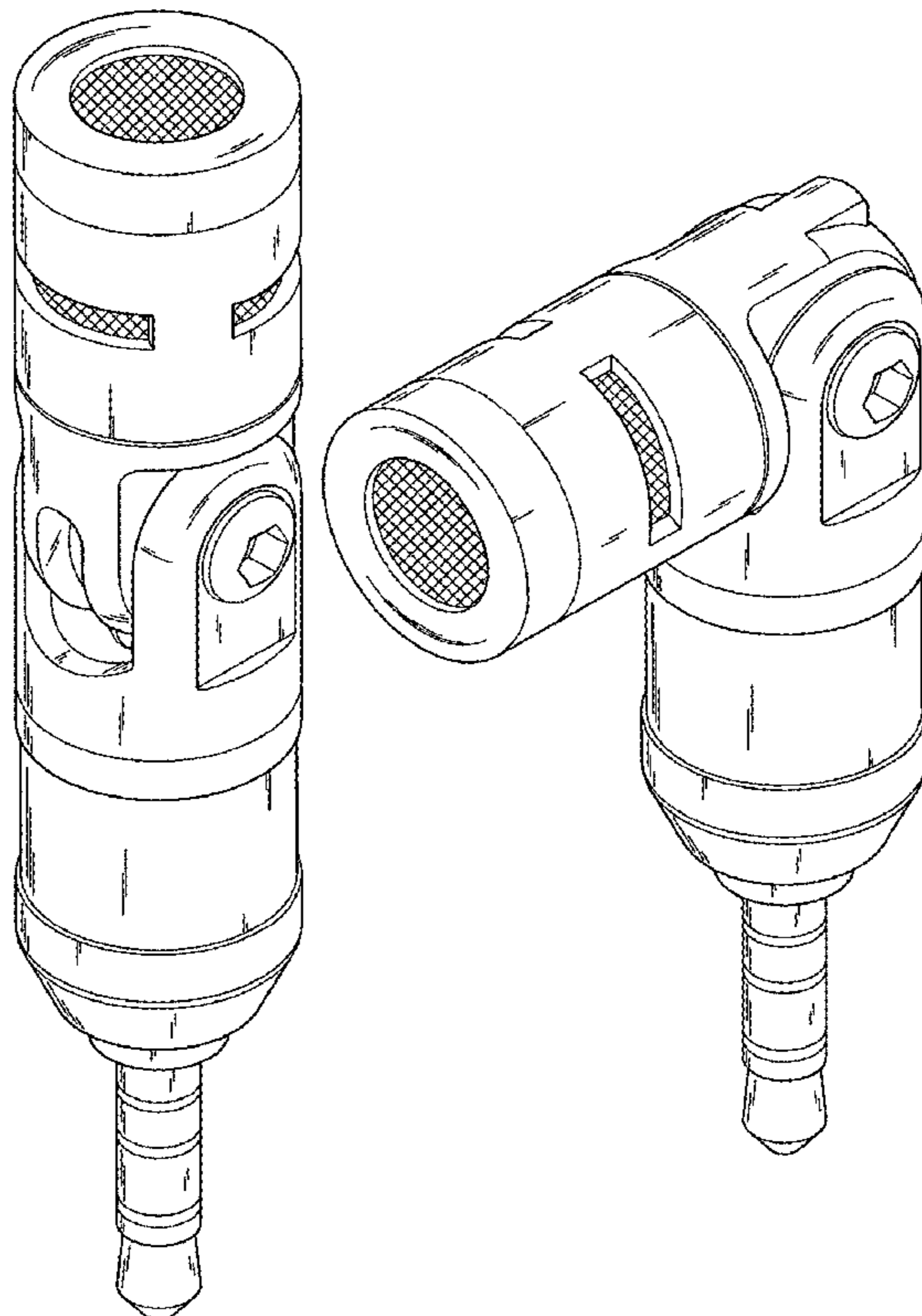
FIG. 5 is a right elevational side view thereof;

FIG. 6 is an enlarged top elevational view thereof;

FIG. 7 is an enlarged bottom elevational view thereof; and,

FIG. 8 is a perspective view of the microphone, shown in an alternate configuration.

**1 Claim, 7 Drawing Sheets**



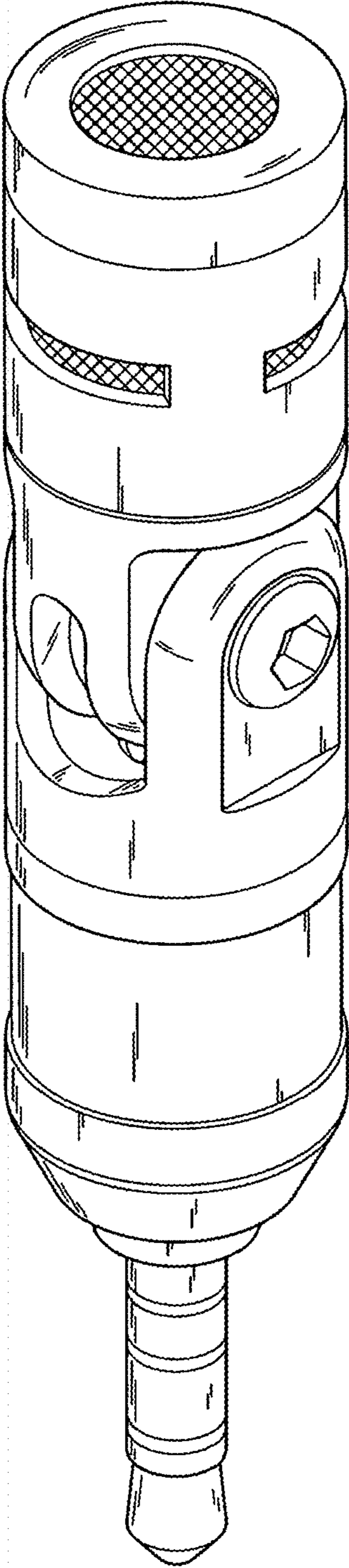


Fig.1

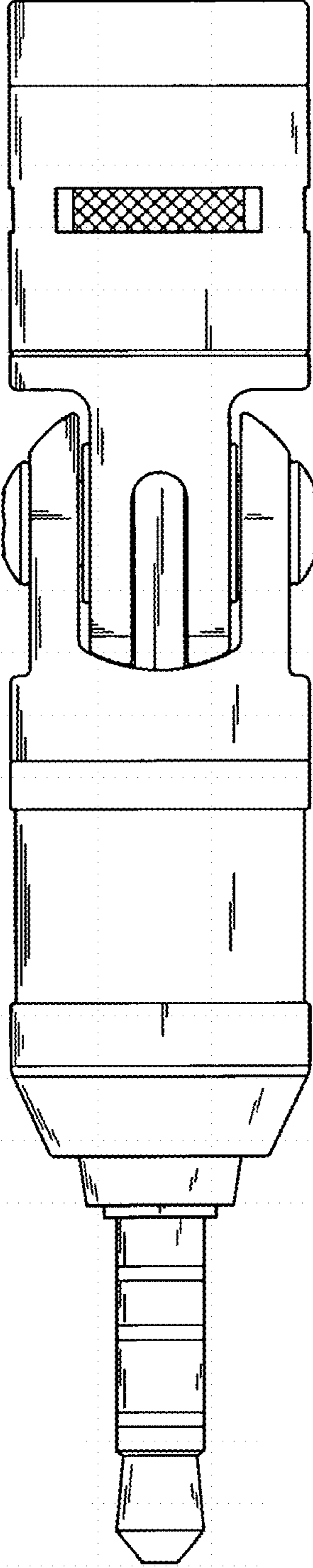


Fig.2

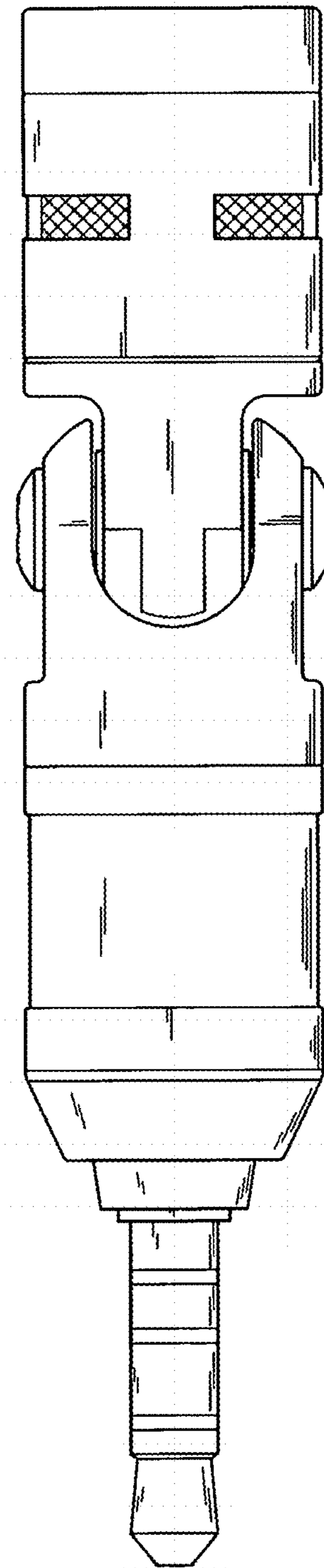


Fig.3

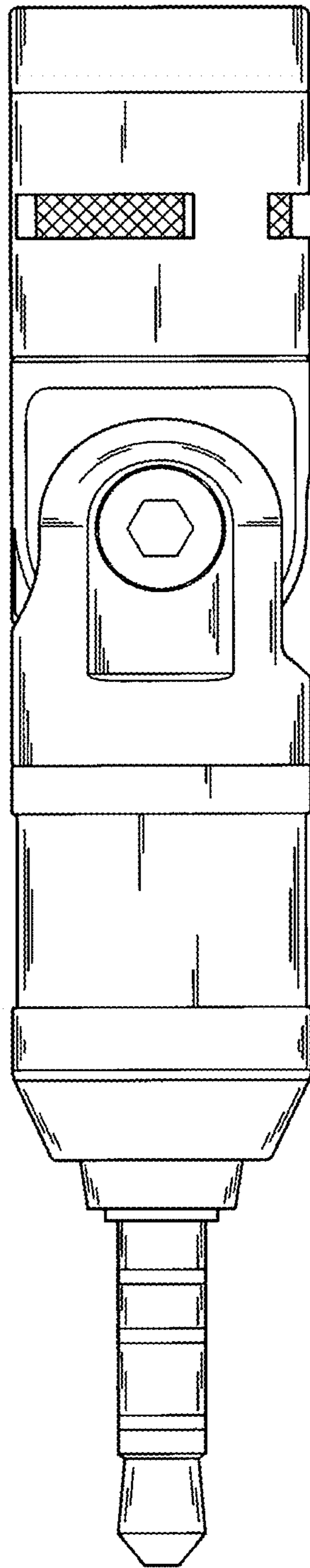


Fig.4

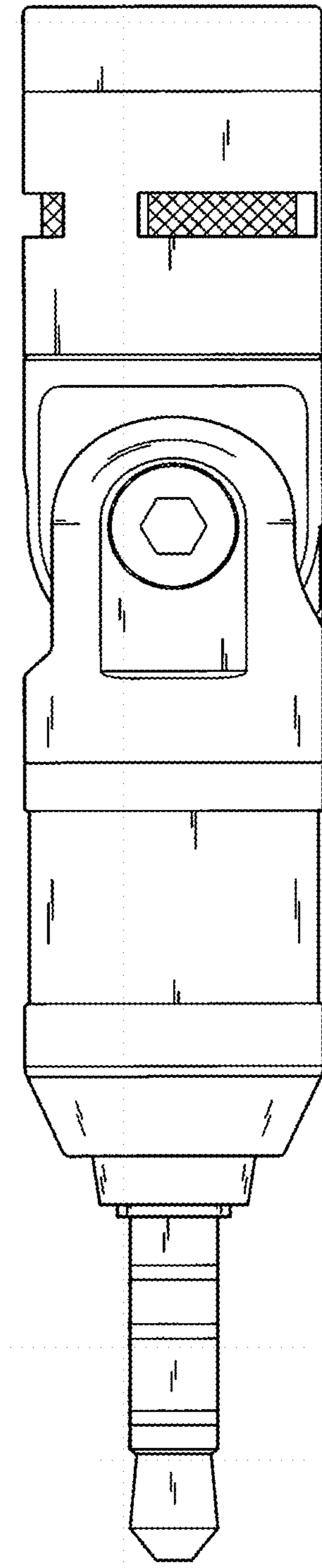


Fig.5

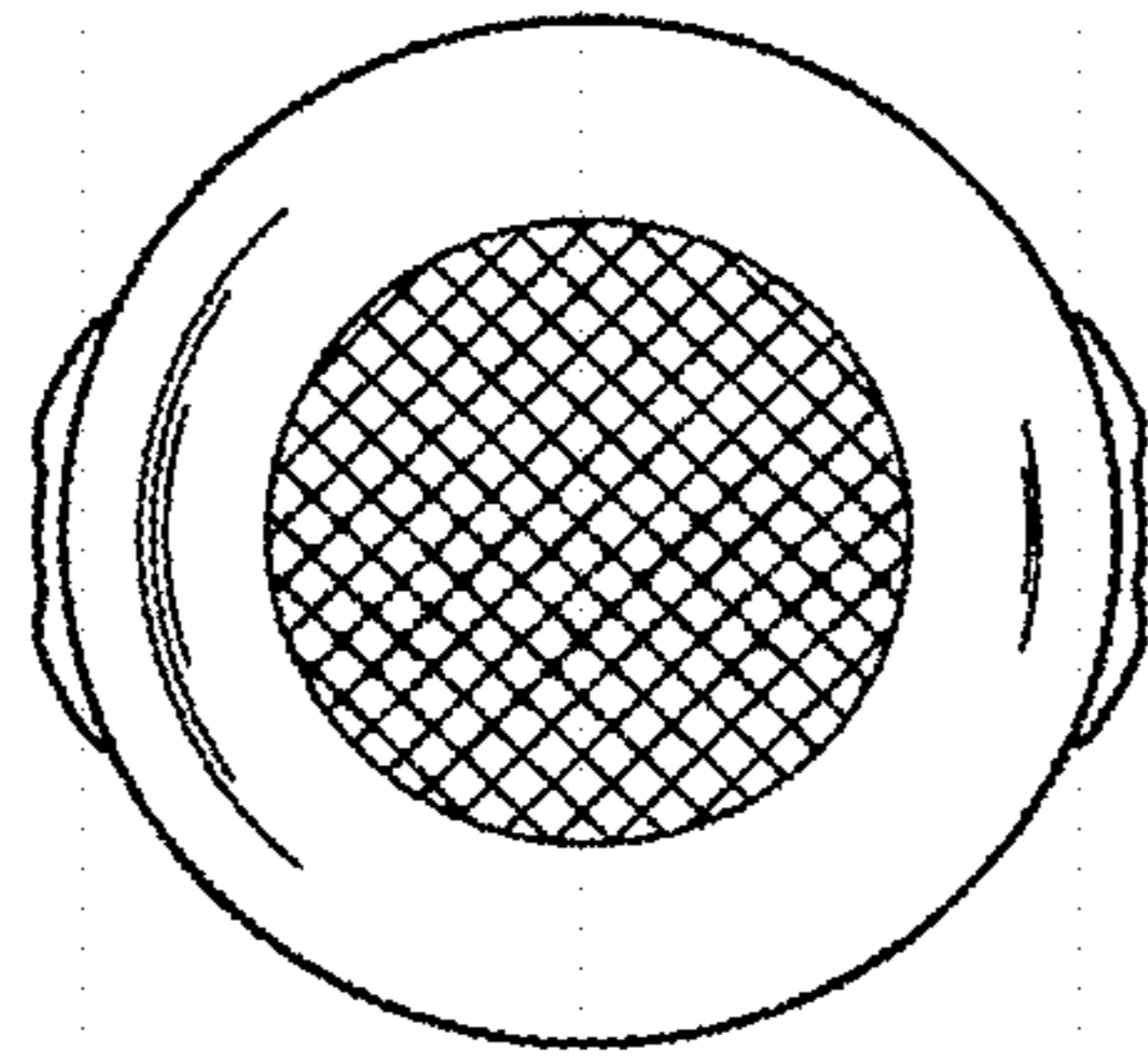


Fig.6

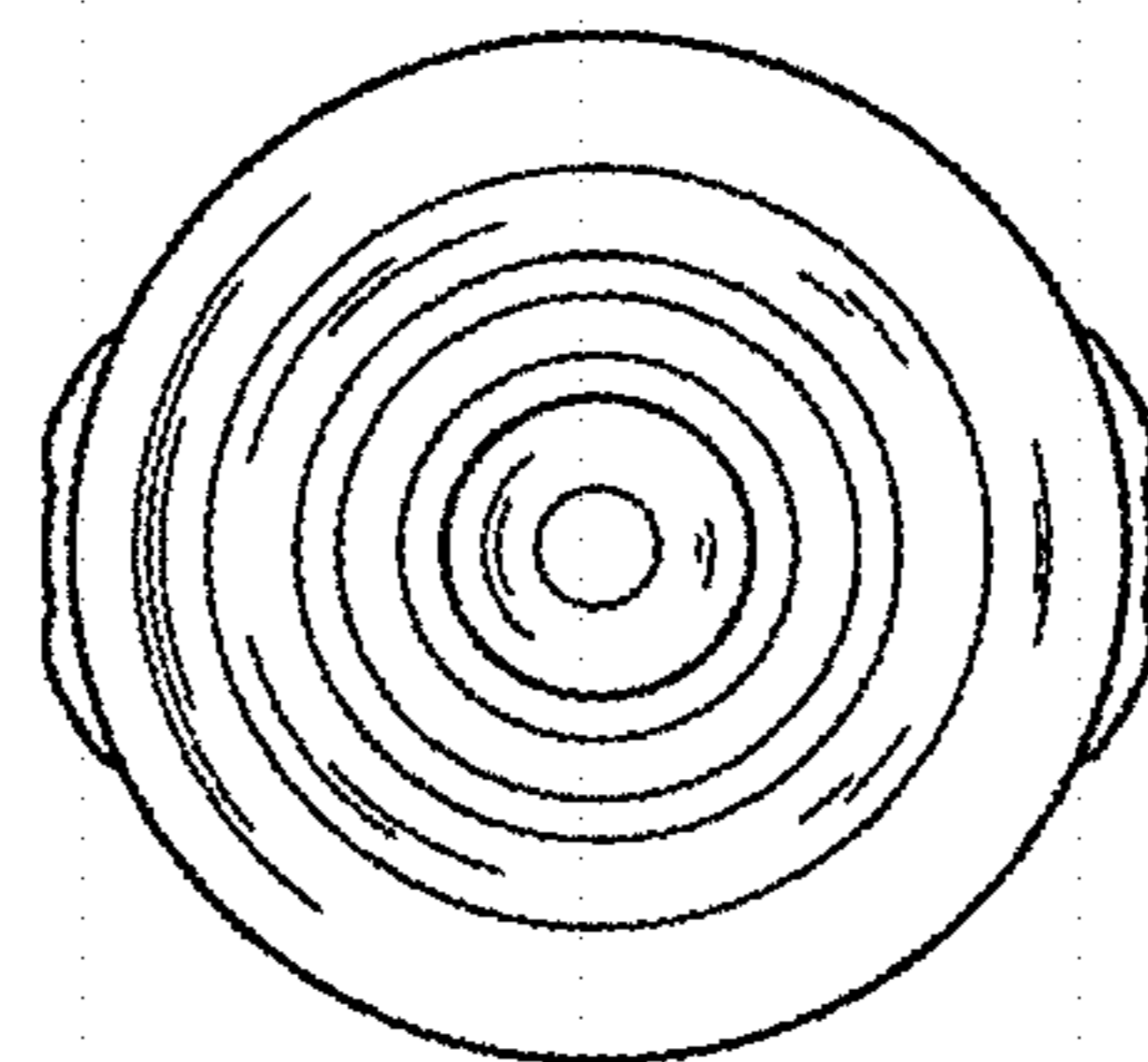


Fig.7

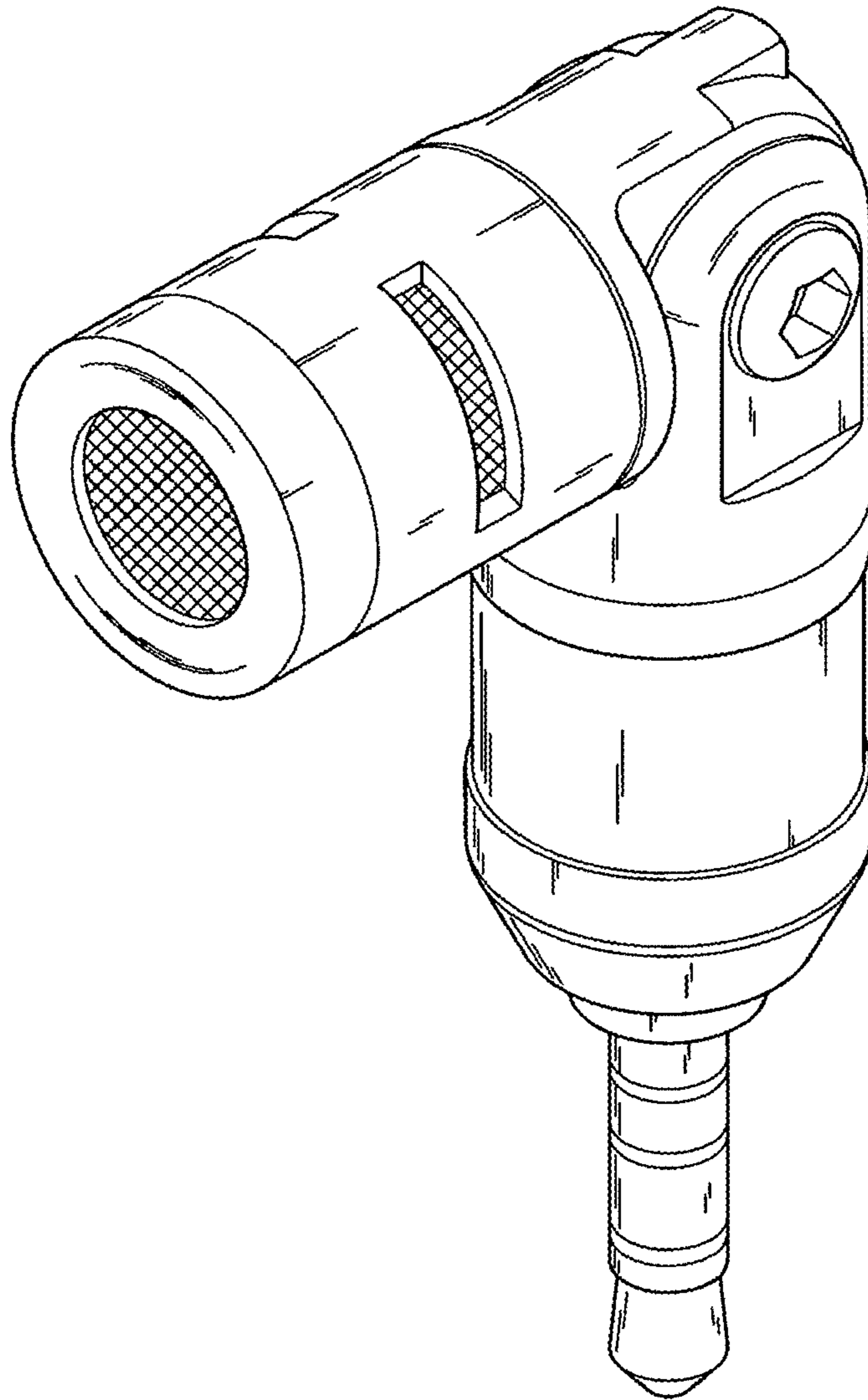


Fig.8