



US00D898000S

(12) **United States Design Patent**
Kelley

(10) **Patent No.:** **US D898,000 S**

(45) **Date of Patent:** **** Oct. 6, 2020**

(54) **BASE CRADLE FOR A COMMUNICATIONS HEADSET**

D478,902 S * 8/2003 Hemer D14/240
D482,674 S * 11/2003 Rath D14/206
D489,323 S * 5/2004 Yoshida D13/108

(Continued)

(71) Applicant: **Plantronics, Inc.**, Santa Cruz, CA (US)

(72) Inventor: **John A. Kelley**, Santa Cruz, CA (US)

(73) Assignee: **Plantronics, Inc.**, Santa Cruz, CA (US)

(**) Term: **15 Years**

FOREIGN PATENT DOCUMENTS

TW D262338 11/1995
TW D127398 S 2/2009
TW D136572 S 8/2010

(21) Appl. No.: **29/663,293**

(22) Filed: **Sep. 13, 2018**

(51) **LOC (12) Cl.** **14-01**

(52) **U.S. Cl.**
USPC **D14/224**

(58) **Field of Classification Search**
USPC D14/224, 168, 149, 217, 240, 251, 434,
D14/223; D13/108, 110, 113; D16/219;
320/110, 113, 111, 115; 439/534;
379/420.01-420.04; 455/90.3, 575.1
CPC G06F 1/16; H04R 1/1025; H04R 1/105;
H04R 25/00; H04R 1/1008
See application file for complete search history.

OTHER PUBLICATIONS

English translation of Taiwan IPO Search Report, issued in Taiwan Design Application No. 097300593, dated Nov. 22, 2008, 1 page.
(Continued)

Primary Examiner — Paula Allen Greene

(57) **CLAIM**

The ornamental design for a base cradle for a communications headset, as shown and described.

DESCRIPTION

FIG. 1 is a front-right perspective view of a base cradle for a communications headset showing my new design; FIG. 2 is a back-top-left perspective view thereof; FIG. 3 is a front view thereof; FIG. 4 is a back view thereof; FIG. 5 is a left side view thereof; FIG. 6 is a right side view thereof; FIG. 7 is a top view thereof; and, FIG. 8 is a bottom view thereof.

In the drawings, the claimed design is defined by the shaded surfaces.

The broken lines shown in dot-dot form depict environment and form no part of the claimed design.

The broken lines shown in dot-dash form assist to depict the scope or bounds of the claimed design.

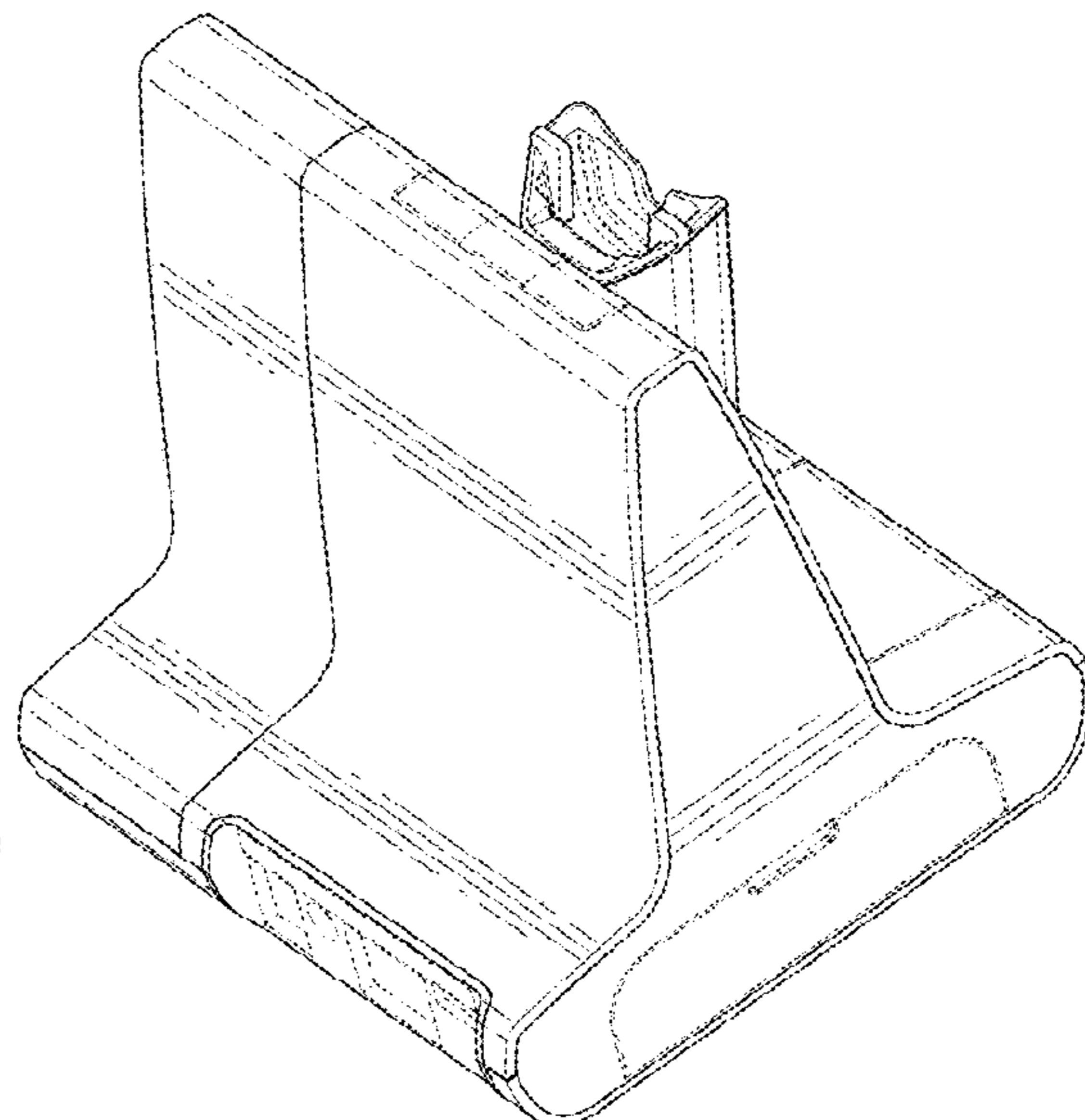
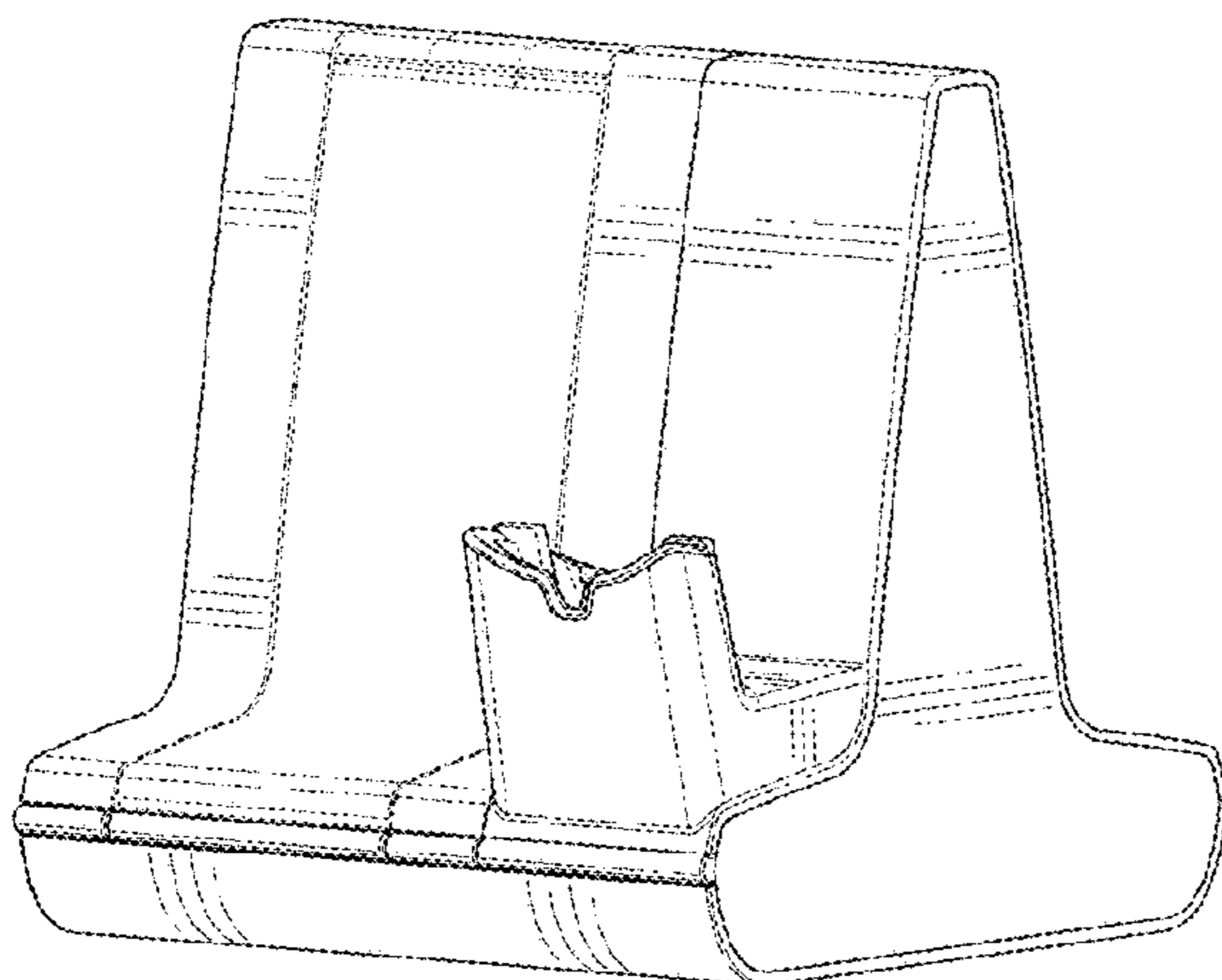
The remaining broken lines are shading or contour lines and are not actually visible on the surface.

(56) **References Cited**

U.S. PATENT DOCUMENTS

D277,662 S * 2/1985 Huntington D13/107
D291,300 S 8/1987 Chaney
D319,061 S 8/1991 Powell et al.
D350,330 S * 9/1994 Peterson D13/107
5,347,208 A * 9/1994 Iida H02J 7/0042
320/113
D353,371 S 12/1994 Delhaes
5,656,914 A * 8/1997 Nagele H01M 2/1022
320/110
6,193,546 B1 * 2/2001 Sadler A45F 5/02
439/165
D463,361 S 9/2002 Ruohonen
D474,737 S * 5/2003 Yoshida D13/108

1 Claim, 8 Drawing Sheets



(56)

References Cited

U.S. PATENT DOCUMENTS

D507,526 S * 7/2005 Ohta D13/108
 D509,789 S * 9/2005 Motoishi D13/108
 D517,053 S 3/2006 Ham
 D517,519 S 3/2006 Skulley et al.
 D519,975 S * 5/2006 Skulley D13/108
 D520,013 S * 5/2006 Yang D14/434
 D522,087 S 5/2006 Larsen
 D522,963 S * 6/2006 Hayes D13/108
 D523,412 S * 6/2006 Ham D13/108
 D523,847 S * 6/2006 Naruki D13/108
 D524,729 S * 7/2006 Hussaini D13/108
 D525,193 S * 7/2006 Vu D13/108
 D532,746 S * 11/2006 Meyers D13/108
 D535,612 S * 1/2007 Chien D13/107
 D535,615 S * 1/2007 Iwai D13/108
 D535,943 S * 1/2007 Kurihara D13/108
 D540,816 S 4/2007 Kim
 D549,646 S * 8/2007 Sade D13/108
 D551,214 S 9/2007 Hussaini et al.
 D551,216 S * 9/2007 Wei D14/223
 D551,617 S * 9/2007 Houghton D13/108
 D552,087 S * 10/2007 Wei D14/223
 D557,693 S 12/2007 Kim et al.
 D564,501 S * 3/2008 Rath D14/224
 D564,959 S * 3/2008 Heine D13/107
 D566,697 S 4/2008 Nielsen et al.
 D582,901 S * 12/2008 Bentley D14/224
 D584,731 S * 1/2009 Montgomery D14/434

D587,683 S 3/2009 Ham et al.
 D589,031 S 3/2009 Bentley et al.
 D590,369 S 4/2009 Gonser et al.
 D593,988 S 6/2009 Liu et al.
 D593,998 S * 6/2009 Bentley D14/224
 D597,939 S * 8/2009 Tkachuk D13/108
 D599,331 S * 9/2009 Bentley D14/224
 D602,917 S * 10/2009 Bentley D14/224
 D624,530 S * 9/2010 Hoggarth D14/224
 D627,785 S * 11/2010 Bouthillier D14/434
 D643,430 S * 8/2011 Nuovo D14/434
 D645,027 S * 9/2011 Gougherty D14/223
 D662,089 S * 6/2012 Gougherty D14/224
 D669,888 S * 10/2012 Gougherty D14/223
 D684,145 S * 6/2013 Rath D14/206
 D765,623 S * 9/2016 Yang D14/224
 D799,494 S * 10/2017 Lee D14/447
 D835,079 S * 12/2018 Yun D14/224
 D850,421 S * 6/2019 Tong D14/224
 D854,520 S * 7/2019 Tong D14/224
 2019/0222916 A1 * 7/2019 Kim H04R 1/1008

OTHER PUBLICATIONS

English translation of Taiwan IPO Search Report, issued in Taiwan Design Application No. 108301394, dated Sep. 7, 2019, 1 page.
 English translation of Taiwan IPO Search Report, issued in Taiwan Design Application No. 108301393, dated Sep. 7, 2019, 1 page.

* cited by examiner

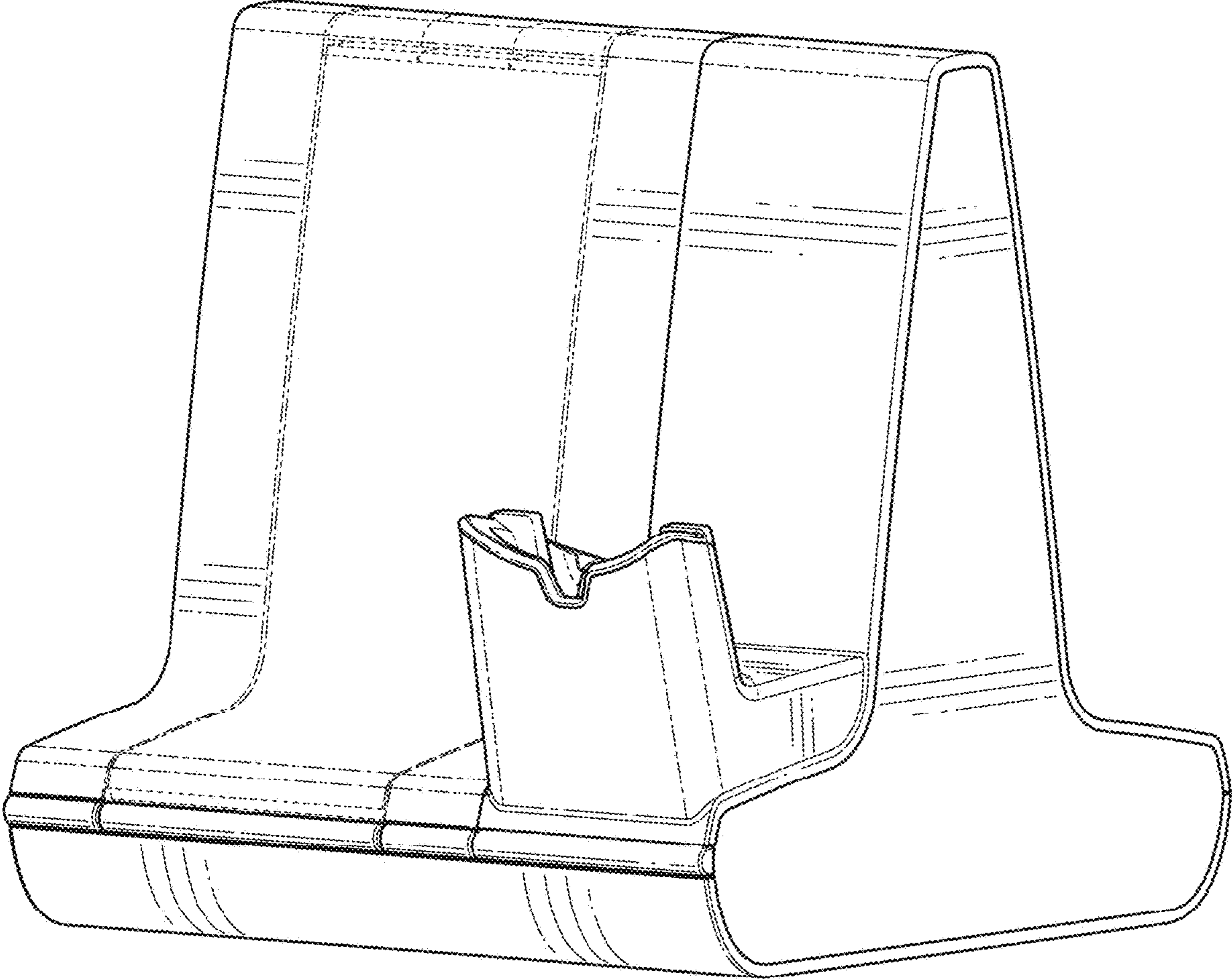


FIG. 1

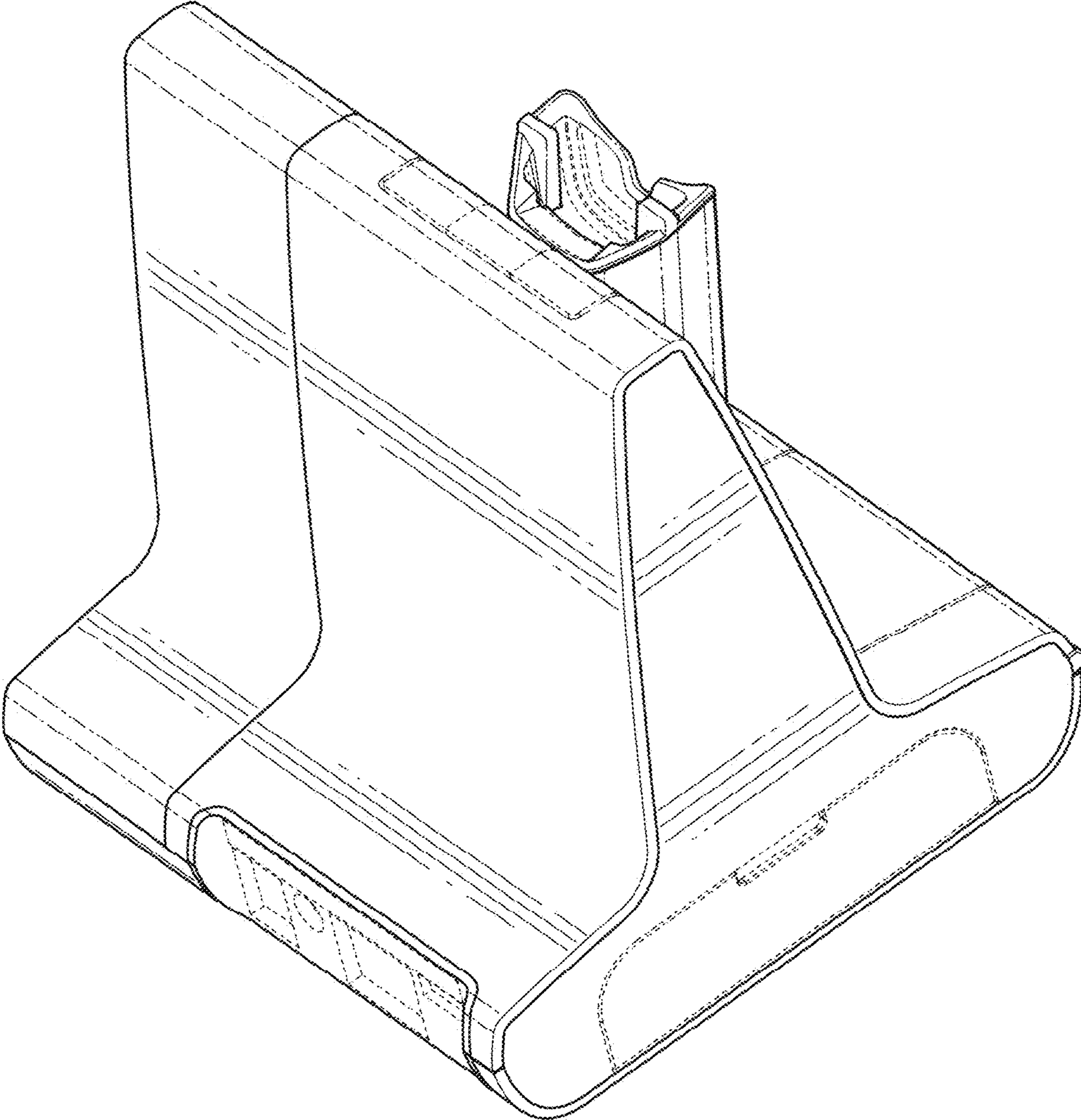


FIG. 2

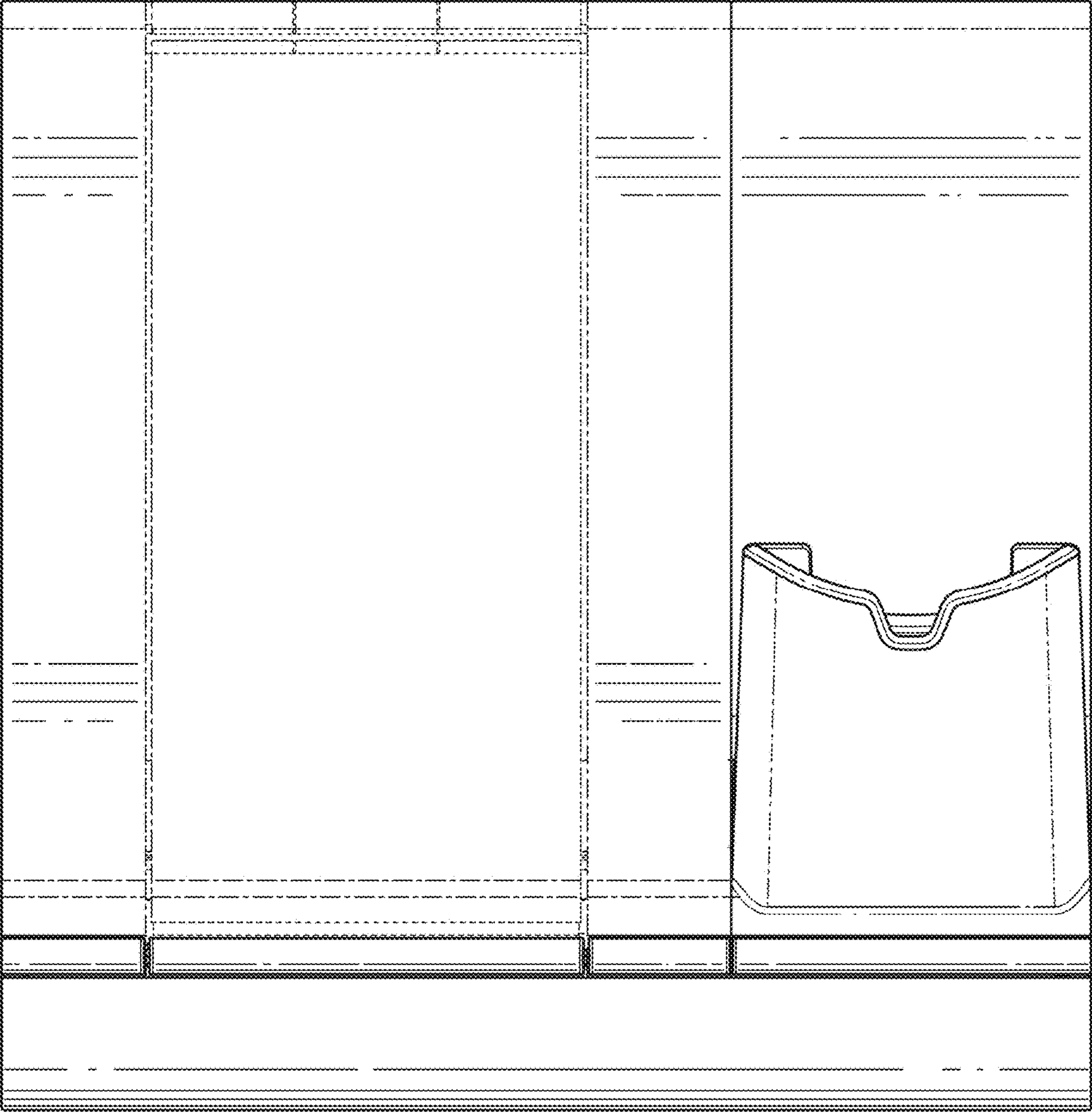


FIG. 3

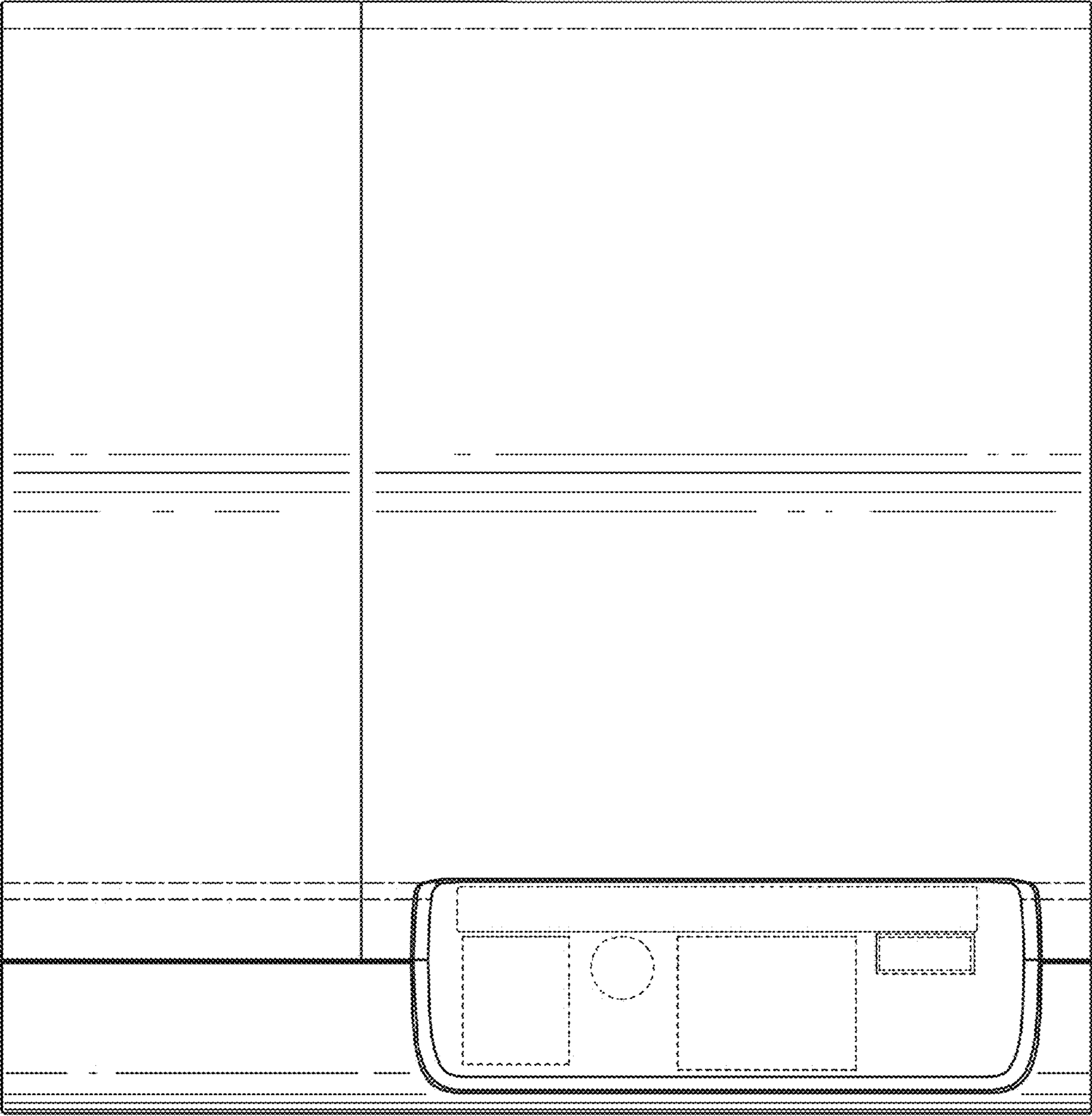


FIG. 4

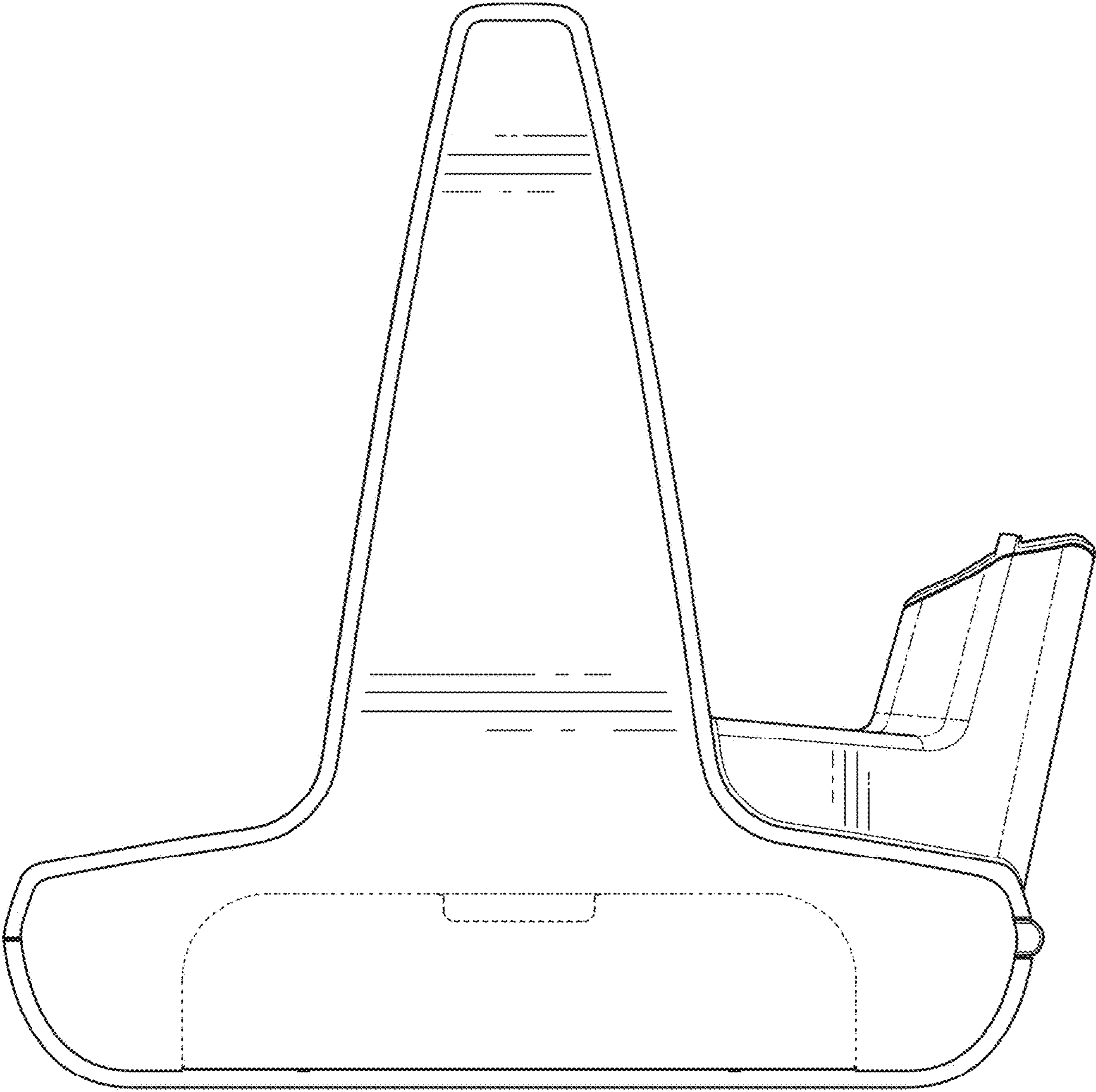


FIG. 5

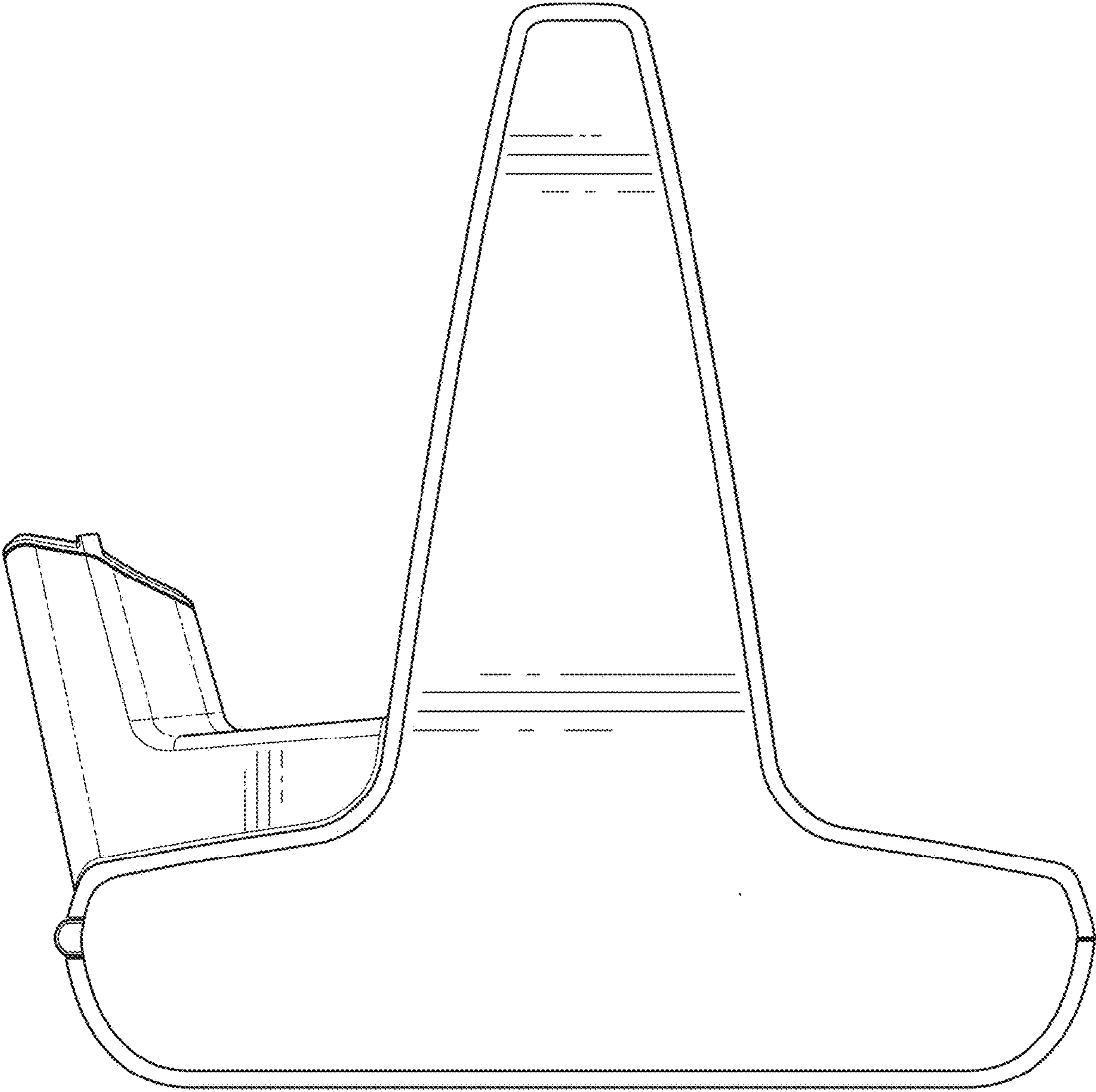


FIG. 6

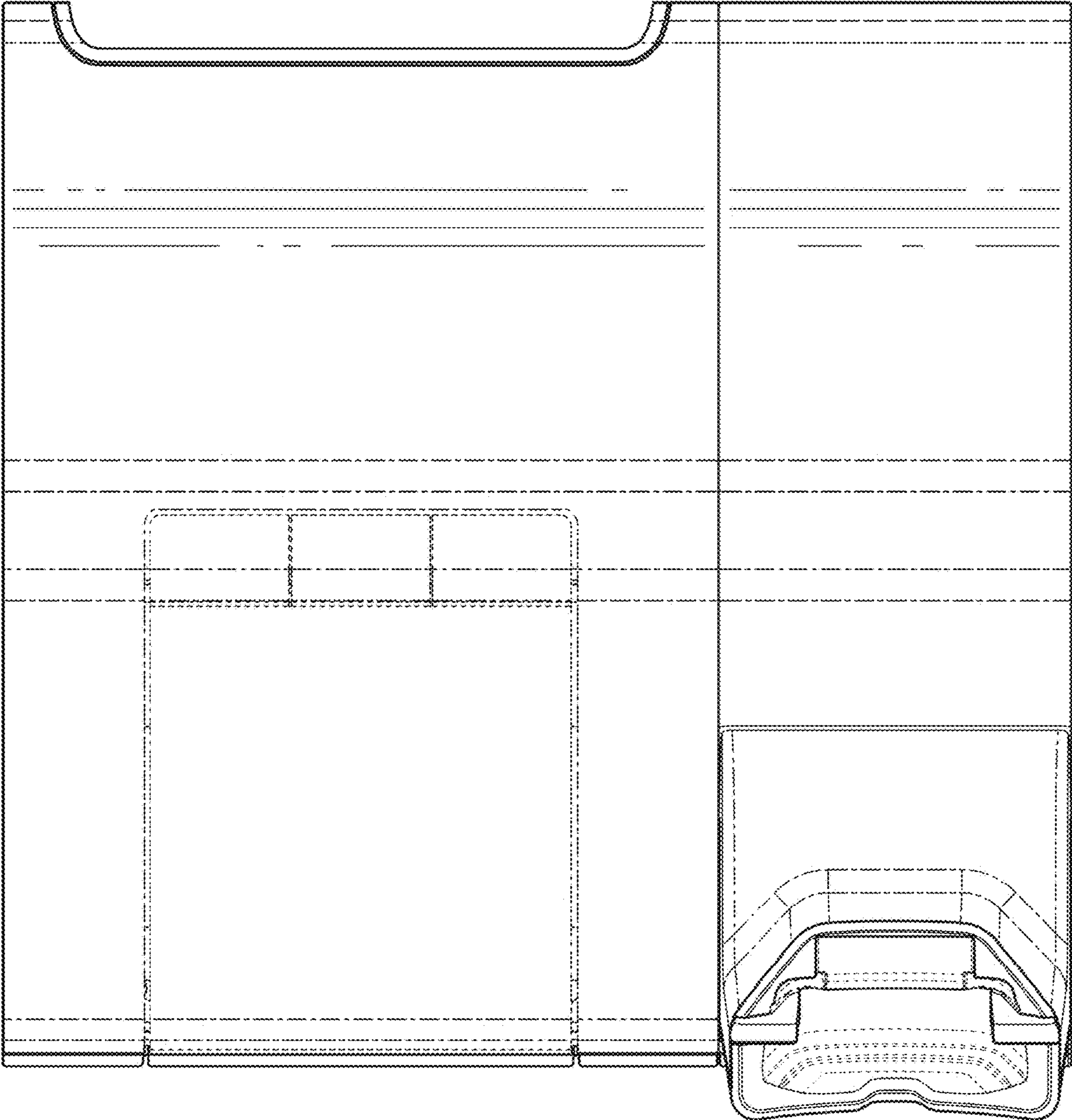


FIG. 7

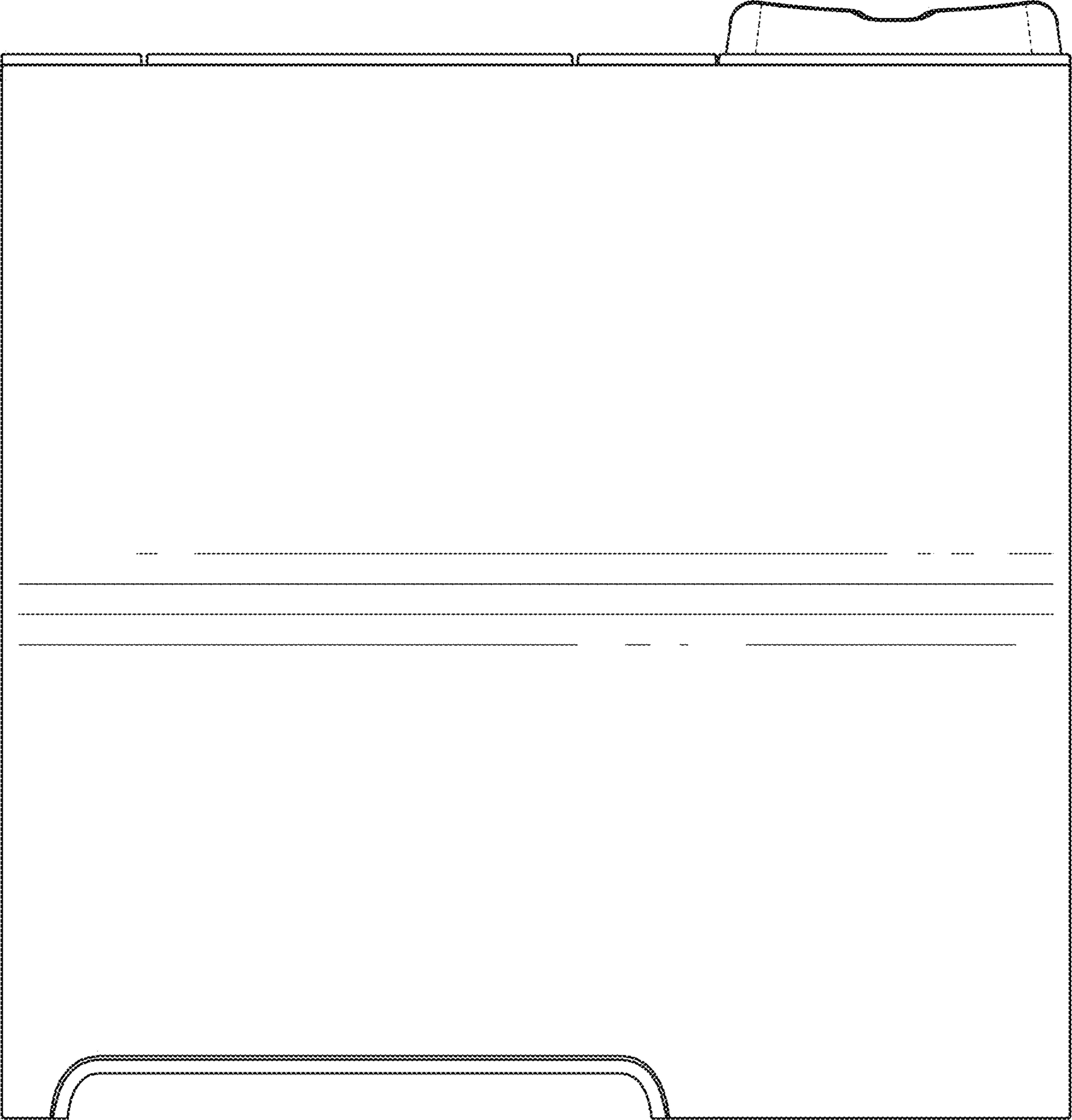


FIG. 8