



US00D897998S

(12) **United States Design Patent**
Ma

(10) **Patent No.:** **US D897,998 S**

(45) **Date of Patent:** **** Oct. 6, 2020**

(54) **EARPHONES**

(71) Applicant: **SHENZHEN NA YIN TECHNOLOGY CO., LTD.**, Shenzhen (CN)

(72) Inventor: **Shaowu Ma**, Shenzhen (CN)

(73) Assignee: **SHENZHEN NA YIN TECHNOLOGY CO., LTD.**, Shenzhen (CN)

(**) Term: **15 Years**

(21) Appl. No.: **29/737,817**

(22) Filed: **Jun. 11, 2020**

(30) **Foreign Application Priority Data**

May 29, 2020 (CN) 2020 3 0262012

(51) **LOC (12) Cl.** **14-01**

(52) **U.S. Cl.**
USPC **D14/223**

(58) **Field of Classification Search**
USPC D14/223, 205; D24/174; 128/864, 865, 128/866; 381/380, 381, 374; 455/90.3, 455/575.1, 569.1
CPC H04R 1/10; H04R 25/00; H04R 25/02; H04R 1/1016; H04R 1/1066; H04R 5/033; H04R 5/0335; H04R 1/1058; H04R 1/105; H04R 1/083; H04R 1/1091
See application file for complete search history.

(56) **References Cited**

U.S. PATENT DOCUMENTS

2,446,422 A * 8/1948 Jensen B65D 3/10 229/5.5
4,595,369 A * 6/1986 Downs A63F 7/04 273/109

4,991,838 A * 2/1991 Groves A63B 43/008 473/451
D369,349 S * 4/1996 Hayashi D14/223
D431,553 S * 10/2000 Suzuki D14/223
D487,077 S * 2/2004 Obata D14/223
D499,397 S * 12/2004 Hlas D14/223
D515,070 S * 2/2006 Andre D14/205
D542,782 S * 5/2007 Pena Angarita D14/223
D555,152 S * 11/2007 Wang D14/223
D564,495 S * 3/2008 Sasaki D14/205
D572,703 S * 7/2008 Ledbetter D14/205
D572,706 S * 7/2008 Schaefer D14/223

(Continued)

FOREIGN PATENT DOCUMENTS

EM 007718218-0001 * 2/2020
EM 007978838-0001 * 6/2020

Primary Examiner — Paula Allen Greene

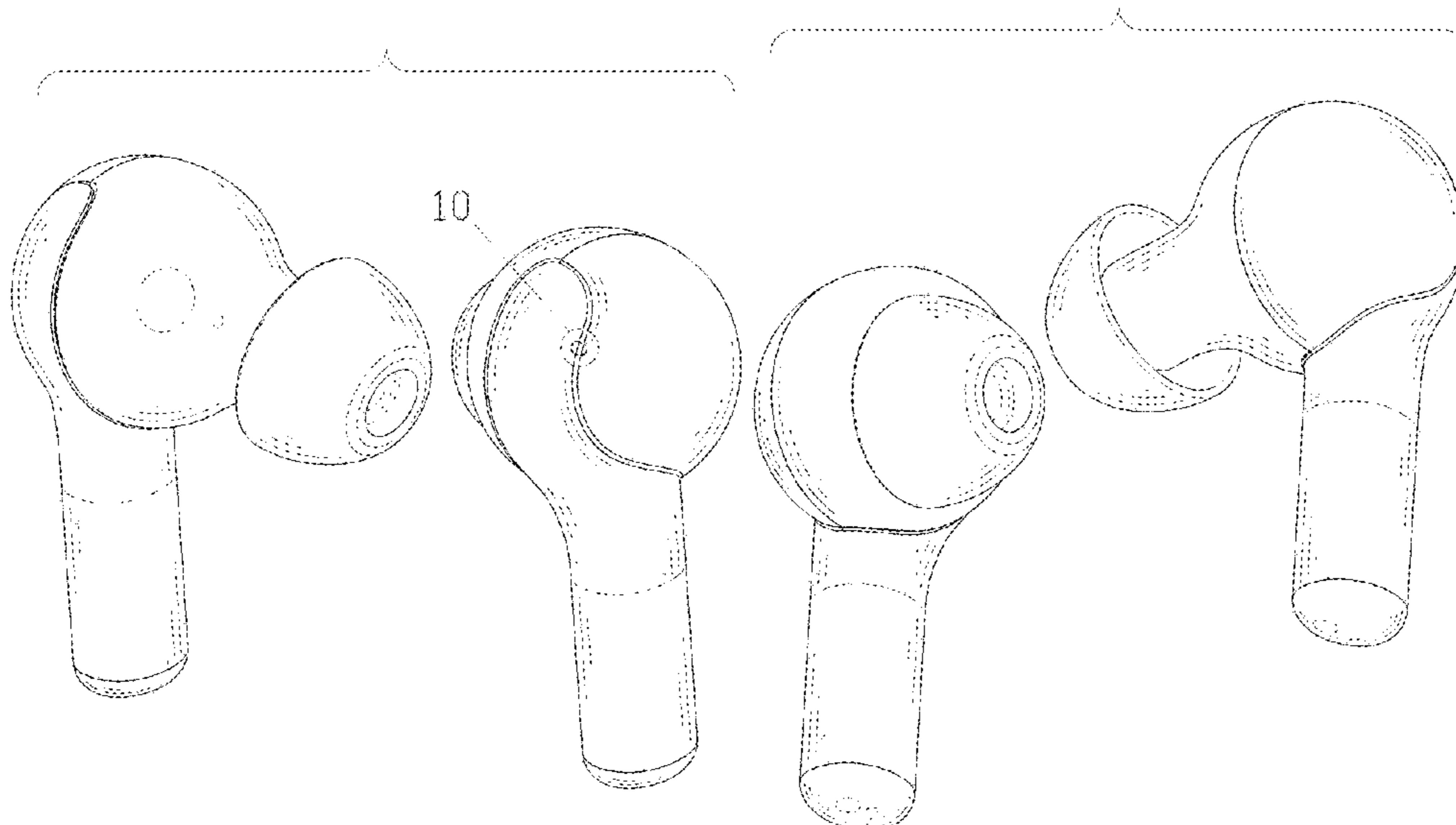
(57) **CLAIM**

The ornamental design for earphones, as shown and described.

DESCRIPTION

FIG. 1 is a perspective view of earphones showing my new design;
FIG. 2 is another perspective view thereof;
FIG. 3 is a front elevational view thereof;
FIG. 4 is a rear elevational view thereof;
FIG. 5 is a left side elevational view thereof;
FIG. 6 is a right side elevational view thereof;
FIG. 7 is a top plan view thereof;
FIG. 8 is a bottom plan view thereof; and
FIG. 9 is a perspective view of the earphones where the earphones are received in a charging case;
FIG. 10 is an enlarged view of portion 10 shown in FIG. 1; and
FIG. 11 is an enlarged view of portion 11 shown in FIG. 3.
The broken lines in the drawings depict portions of the earphones that form no part of the claimed design.

1 Claim, 11 Drawing Sheets



(56)

References Cited

U.S. PATENT DOCUMENTS

D578,517 S * 10/2008 Pausch D14/223
 D591,721 S * 5/2009 Densho D14/205
 D593,537 S * 6/2009 Arimoto D14/205
 D605,182 S * 12/2009 Fagnot D14/223
 D619,122 S * 7/2010 Nomura D14/223
 D621,389 S * 8/2010 Nagayama D14/223
 D623,630 S * 9/2010 Ohori D14/223
 D627,765 S * 11/2010 Zheng D14/223
 D633,086 S * 2/2011 Chen D14/223
 D648,708 S * 11/2011 Katsuraku D14/223
 D669,453 S * 10/2012 Katsuraku D14/223
 D674,377 S * 1/2013 Schaefer D14/223
 D685,769 S * 7/2013 Mogili D14/223
 D718,285 S * 11/2014 Shibusawa D14/223
 D728,533 S * 5/2015 Poulsen D14/223
 D732,008 S * 6/2015 Akana H04R 1/10
 D732,508 S * 6/2015 Funayama D14/223
 D733,101 S * 6/2015 Pi D14/223
 D733,689 S * 7/2015 Narita D14/223
 D738,864 S * 9/2015 Lee D14/223
 D741,287 S * 10/2015 Harata D14/205
 D747,295 S * 1/2016 Eastwood D14/223
 D755,759 S * 5/2016 Cai D14/223
 D757,682 S * 5/2016 Perez D14/205
 9,438,986 B2 * 9/2016 Tang H04R 1/1091

D784,298 S * 4/2017 Ozawa D14/223
 D801,314 S * 10/2017 Akana D14/223
 D818,990 S 5/2018 Tzeng et al.
 D821,362 S * 6/2018 Vaclavik D14/223
 D829,193 S * 9/2018 Cai D14/223
 D830,336 S * 10/2018 Cai D14/205
 D830,345 S * 10/2018 Cai D14/223
 D847,125 S * 4/2019 Akana D14/223
 D853,995 S * 7/2019 Cai D14/223
 D864,919 S 10/2019 Bonahoom et al.
 D865,720 S * 11/2019 Deng D14/223
 D872,065 S * 1/2020 Cai D14/223
 D872,711 S * 1/2020 Hu D14/223
 D882,553 S * 4/2020 Wu D14/223
 D883,259 S * 5/2020 Ma D14/223
 D883,260 S * 5/2020 Hu D14/223
 D887,396 S * 6/2020 Wang D14/223
 D889,437 S * 7/2020 Ando D14/223
 D889,439 S * 7/2020 Hsieh D14/223
 D889,440 S * 7/2020 Yan D14/223
 D890,137 S * 7/2020 Ma D14/223
 2011/0051978 A1 * 3/2011 Chen H04R 1/12
 381/380
 2012/0003937 A1 * 1/2012 Zhong H04M 1/6066
 455/41.3
 2012/0237074 A1 * 9/2012 Aase H04R 1/1075
 381/380
 2017/0164087 A1 * 6/2017 Kurtz H04R 1/1066

* cited by examiner



FIG. 1

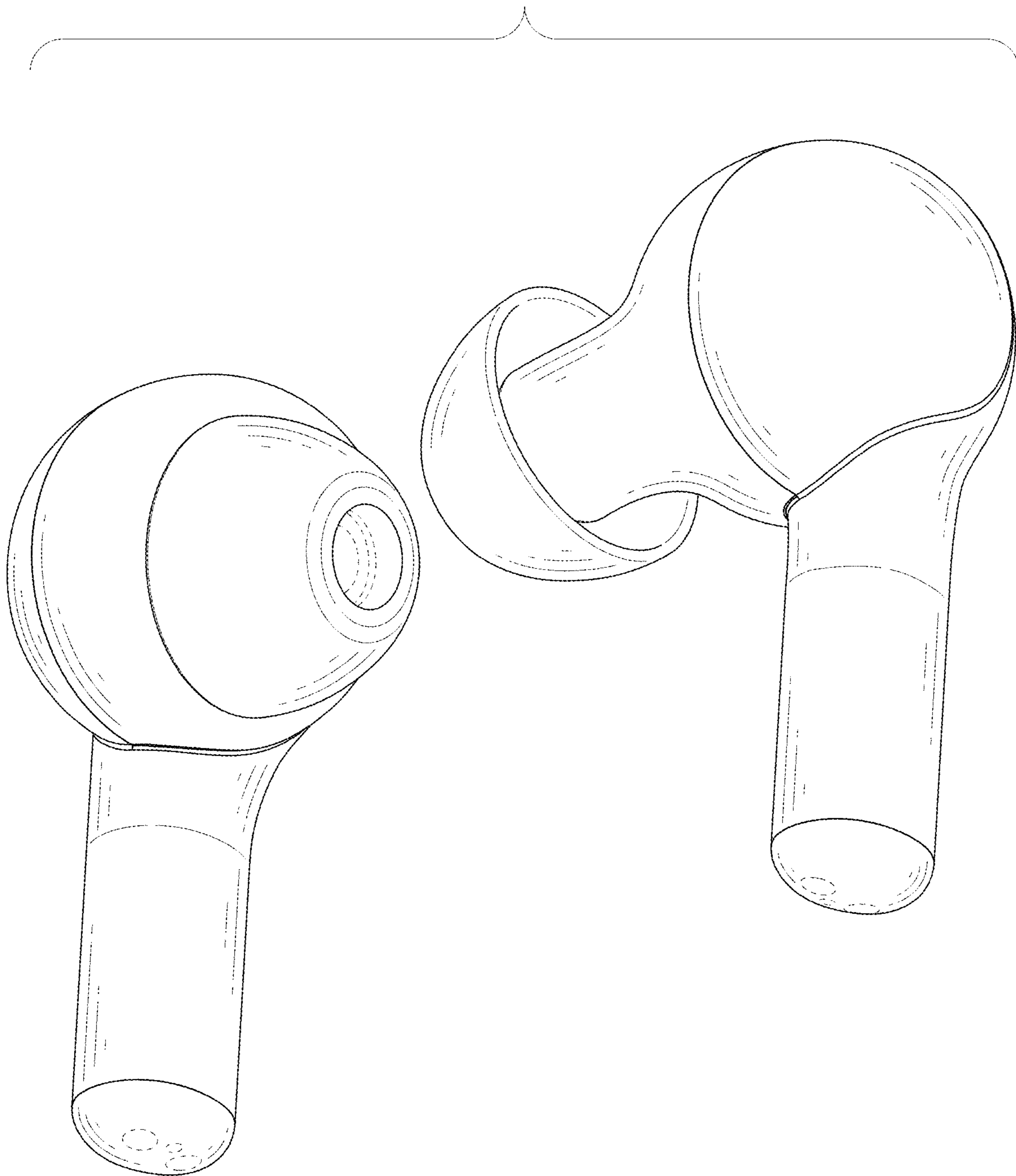


FIG. 2

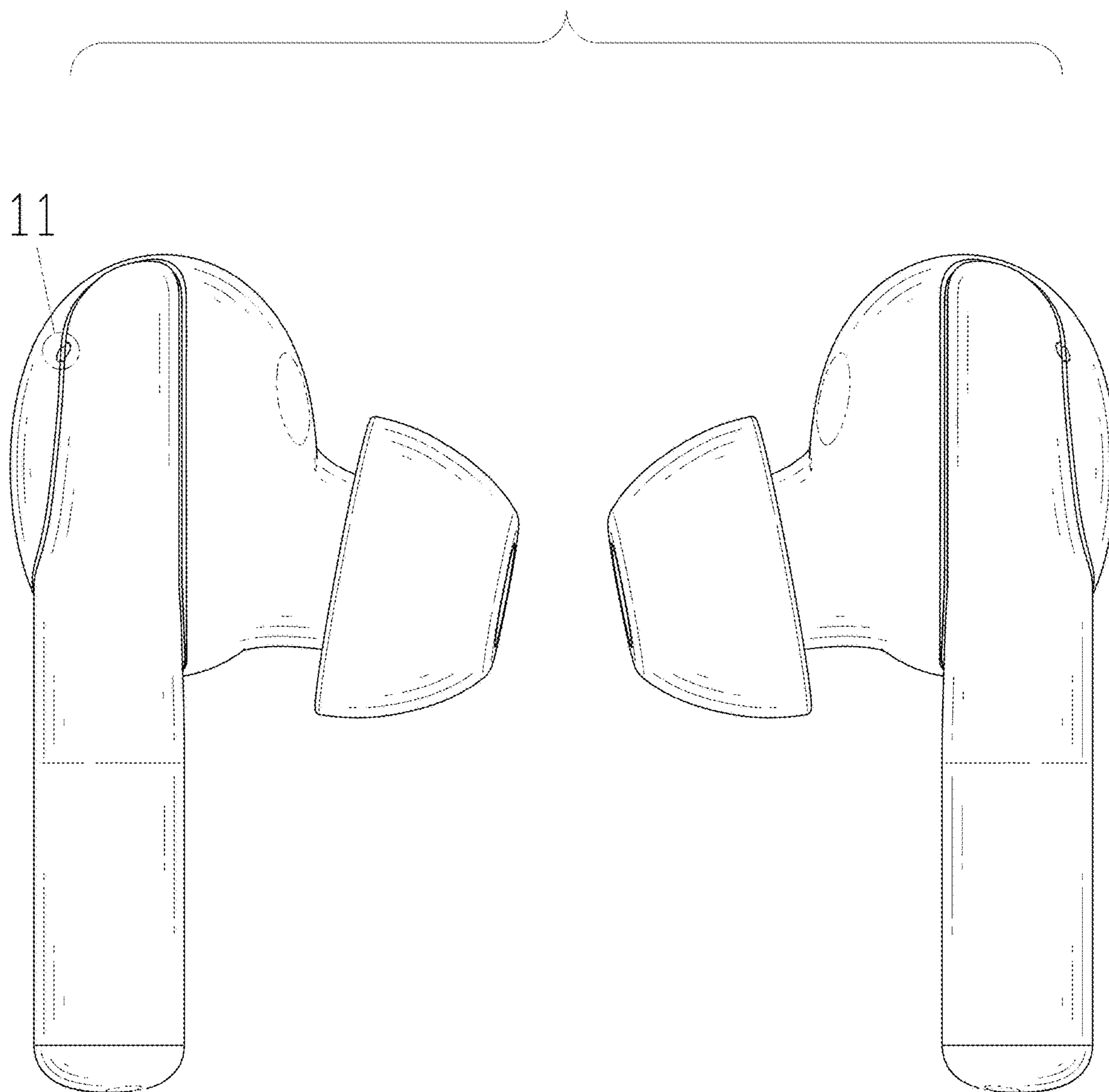


FIG. 3

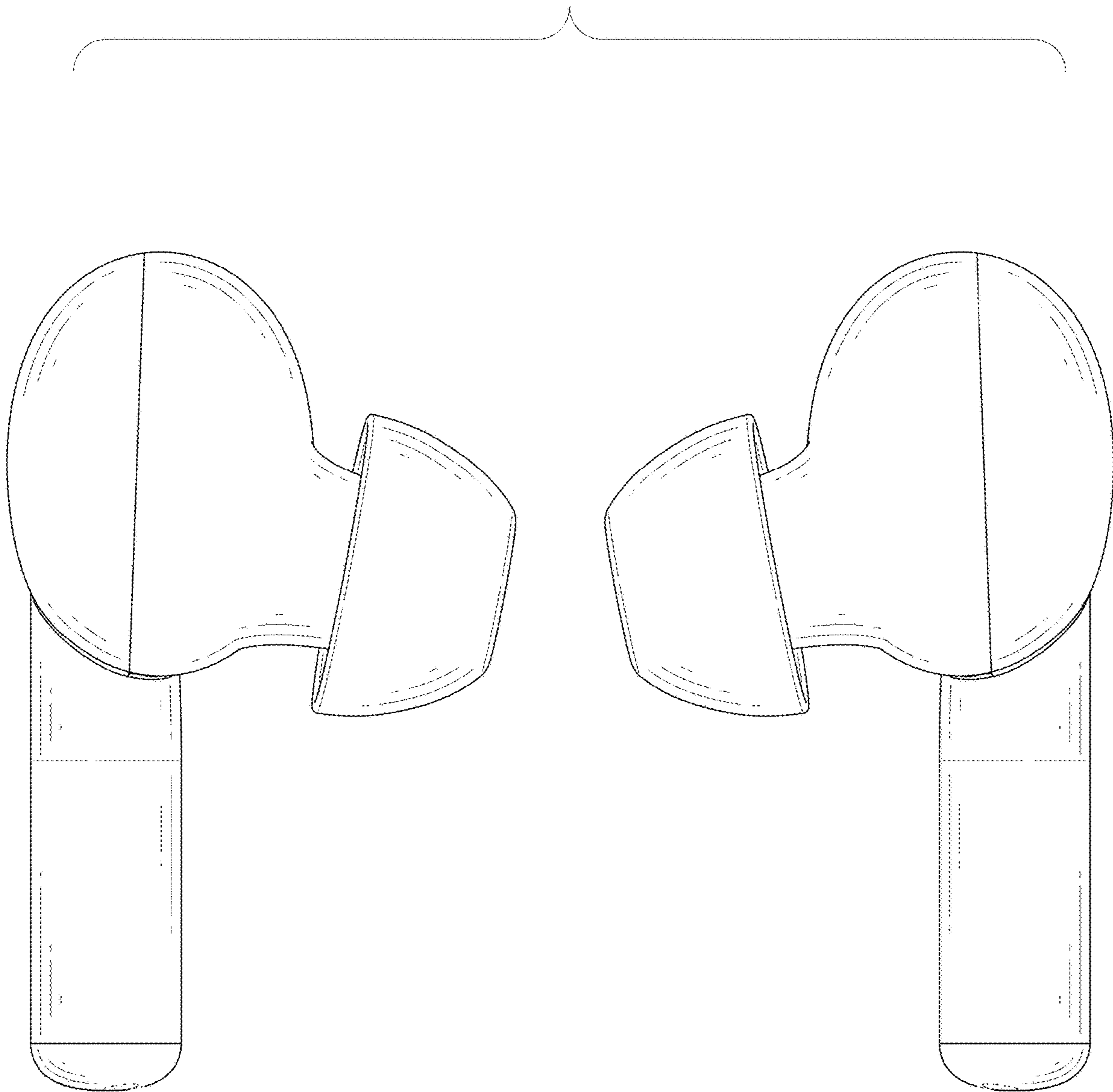


FIG. 4

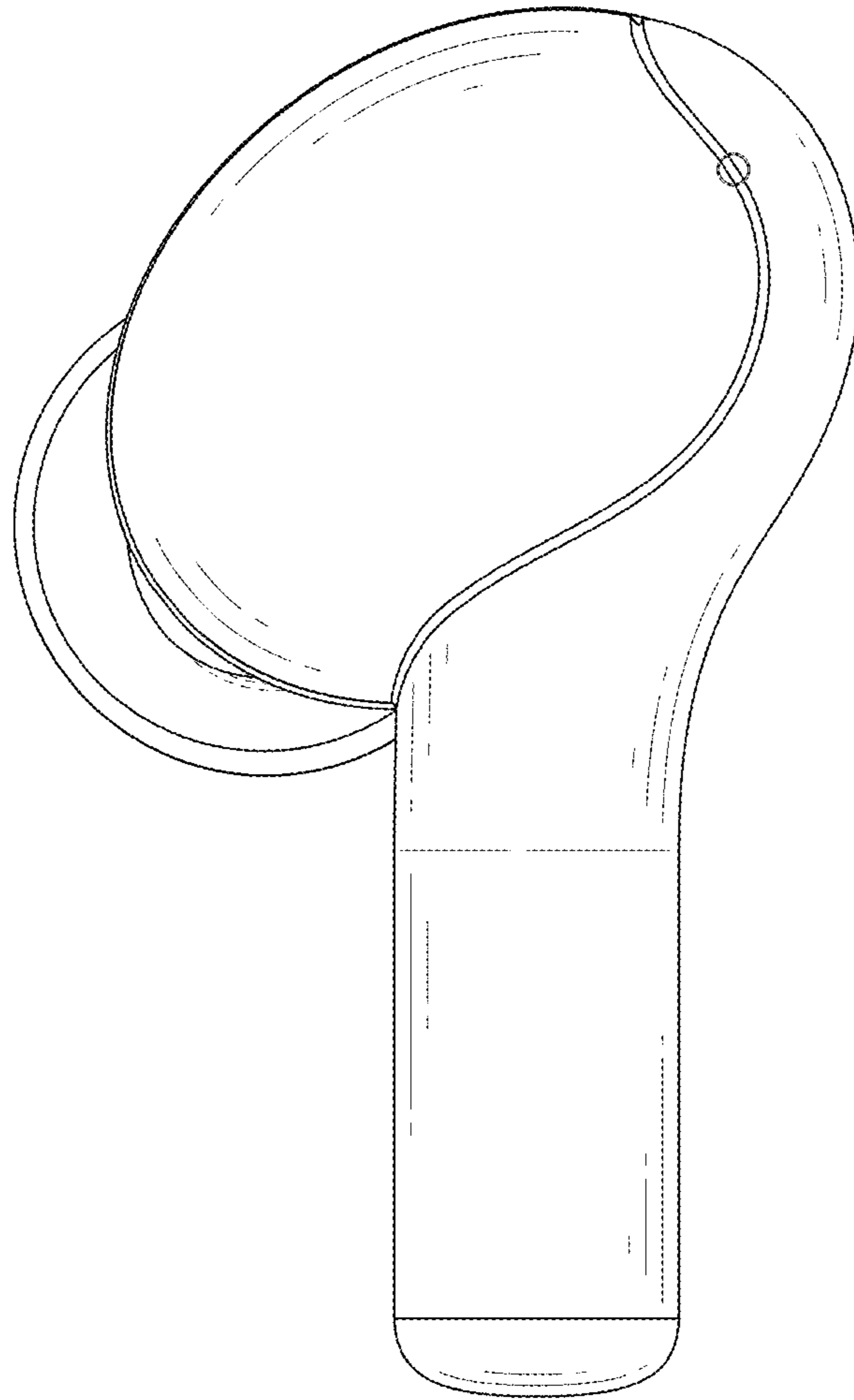


FIG. 5

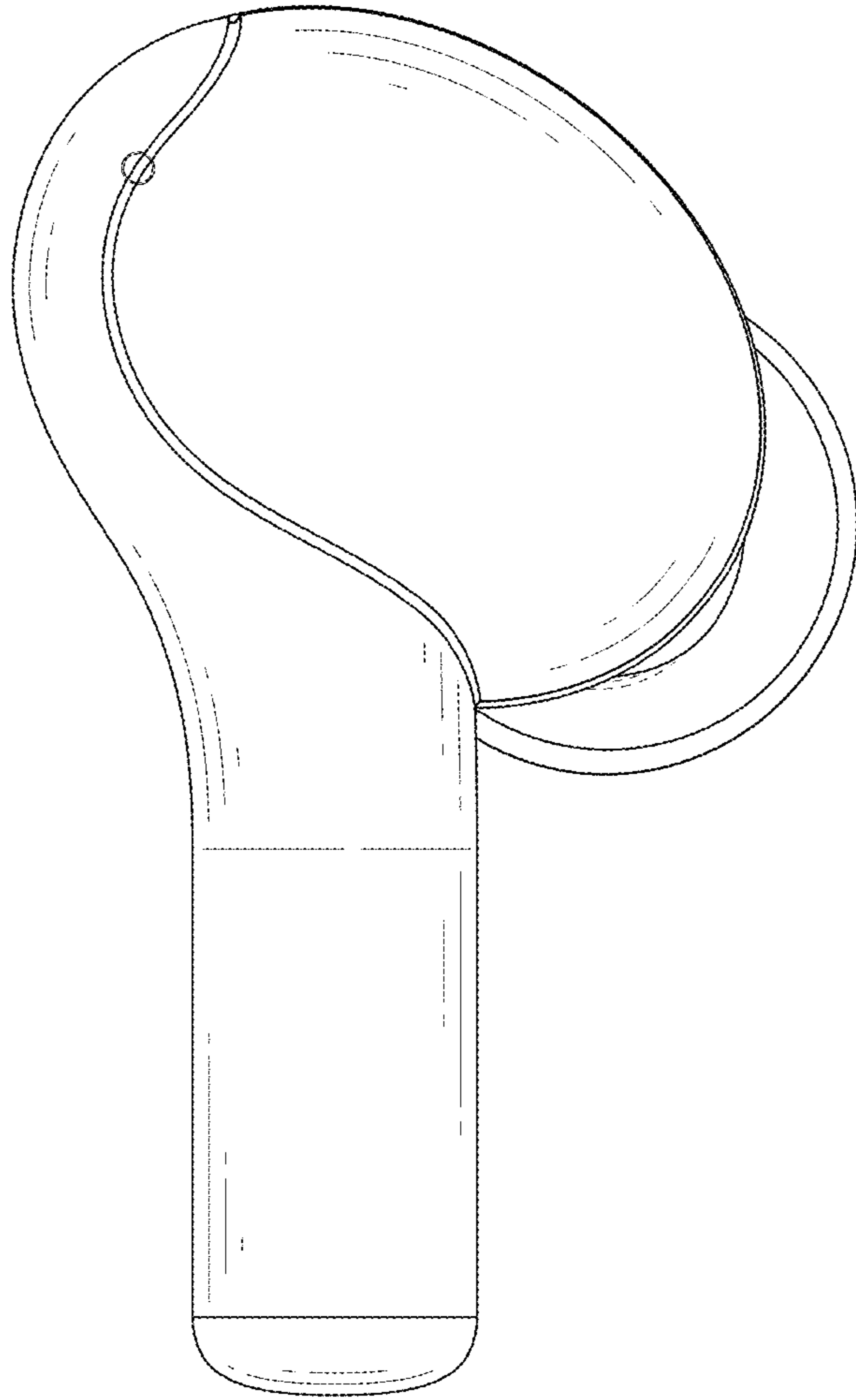


FIG. 6

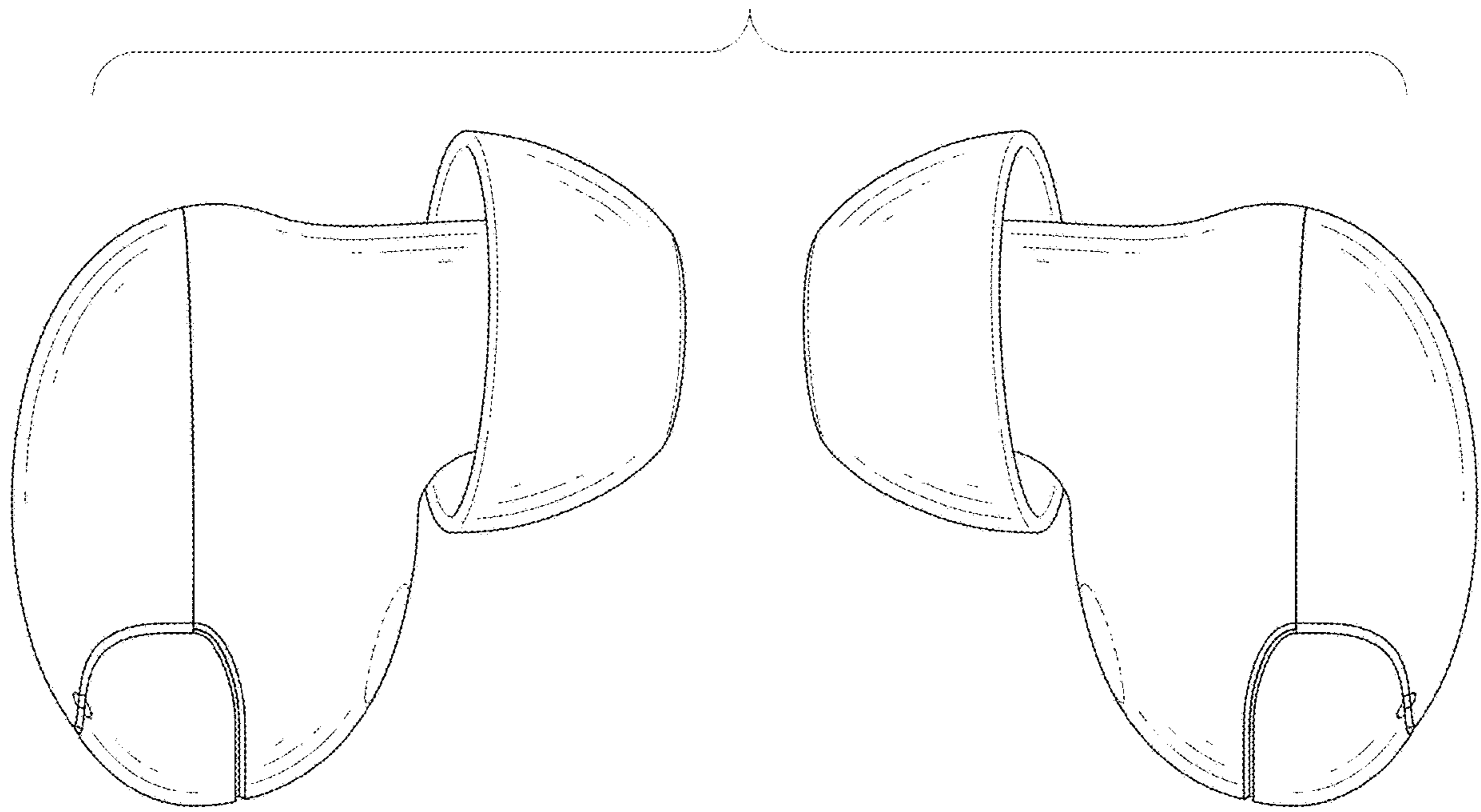


FIG. 7

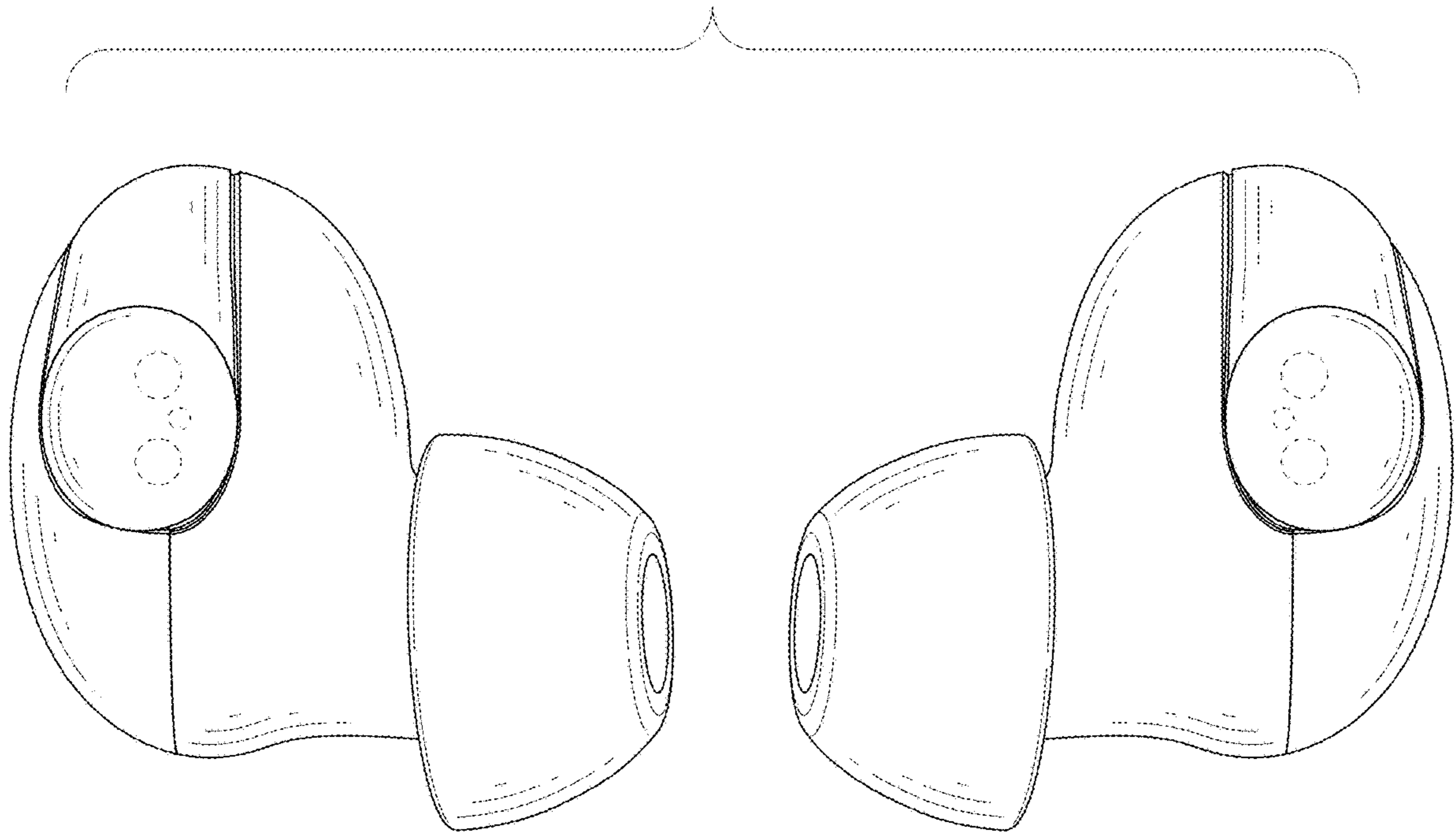


FIG. 8

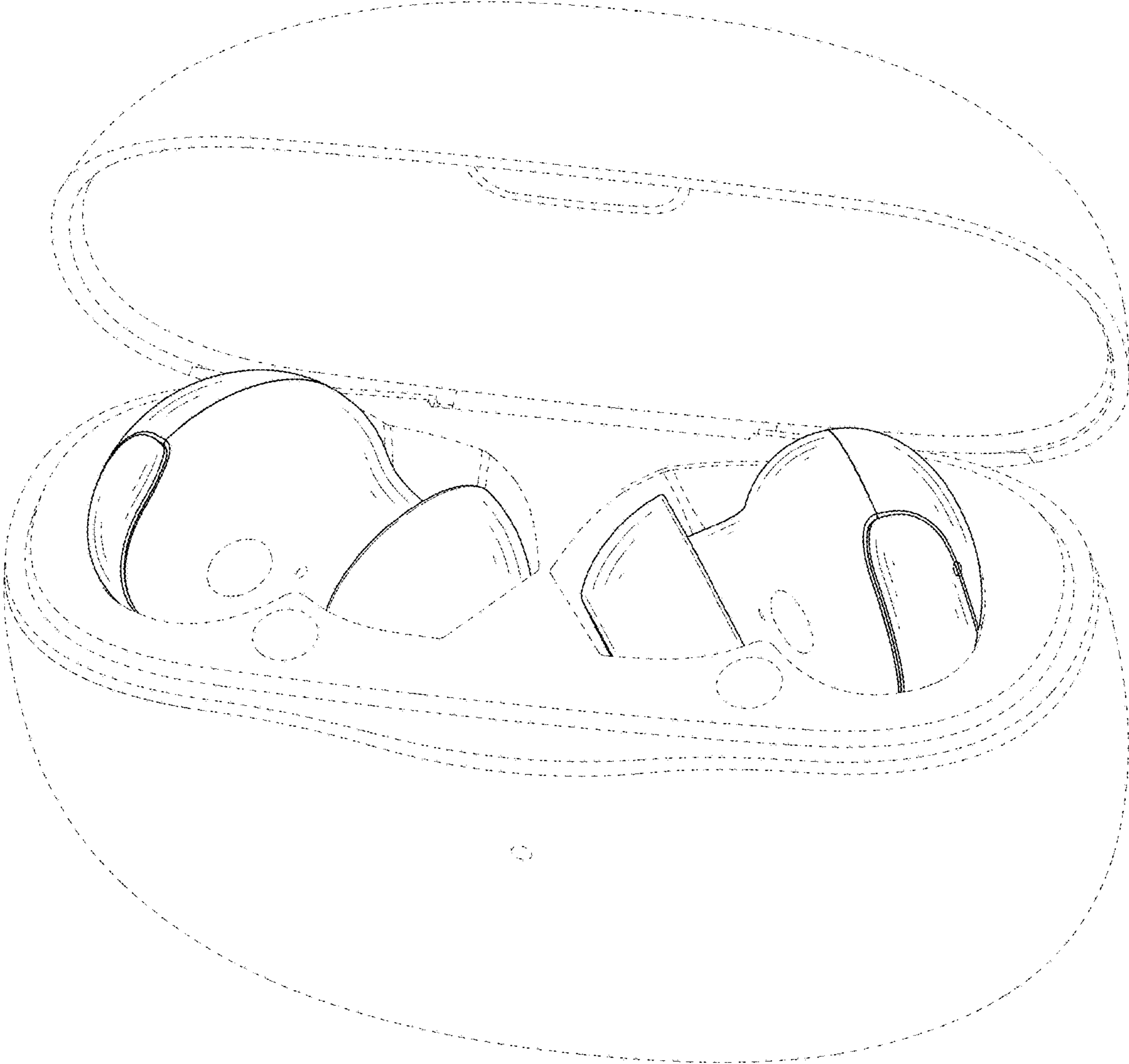


FIG. 9

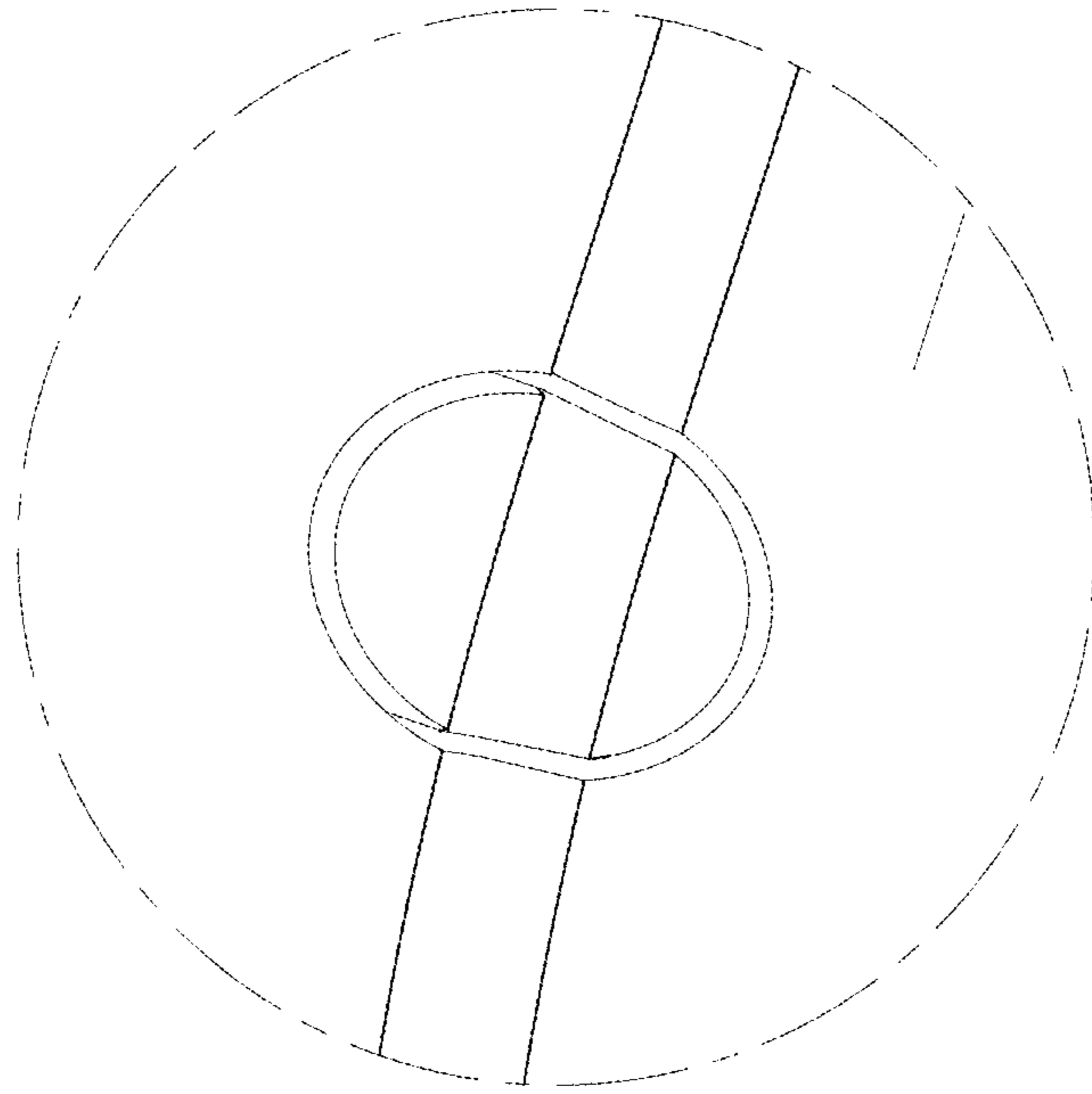


FIG. 10

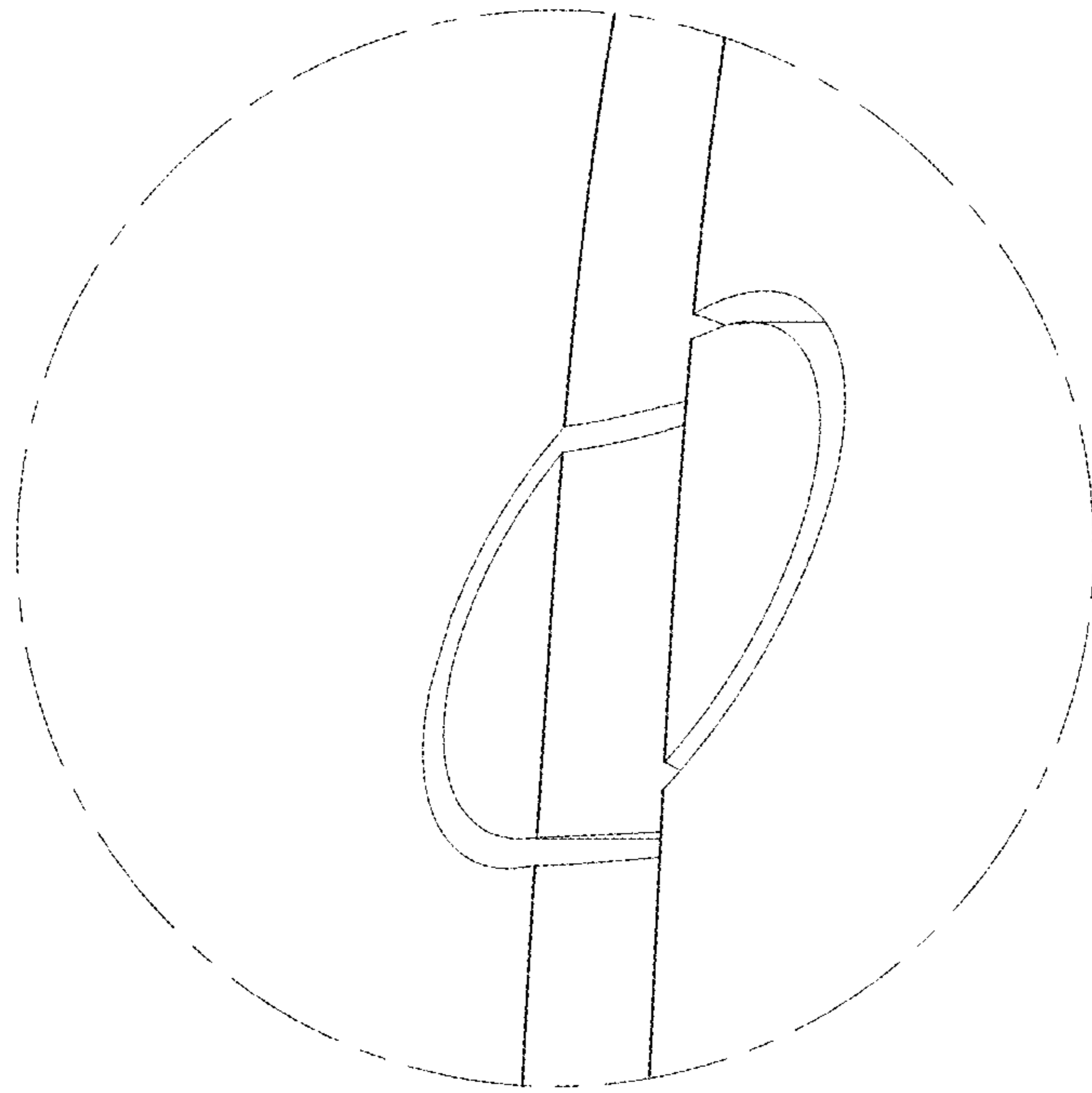


FIG. 11