



US00D897997S

(12) **United States Design Patent**  
**Zhang**

(10) **Patent No.:** **US D897,997 S**  
(45) **Date of Patent:** **\*\* Oct. 6, 2020**

(54) **WIRELESS EARBUDS WITH CHARGING CASE**

*Primary Examiner* — Paula Allen Greene

(71) Applicant: **SHENZHEN DUNTUO ELECTRONICS CO., LTD**, Shenzhen (CN)

(57) **CLAIM**

The ornamental design for wireless earbuds with charging case, as shown and described.

(72) Inventor: **Tao Zhang**, Shenzhen (CN)

(73) Assignee: **SHENZHEN DUNTUO ELECTRONICS CO., LTD**, Shenzhen (CN)

**DESCRIPTION**

(\*\*) Term: **15 Years**

(21) Appl. No.: **29/730,155**

(22) Filed: **Apr. 1, 2020**

(30) **Foreign Application Priority Data**

Mar. 19, 2020 (CN) ..... 2020 3 0093769

(51) **LOC (12) Cl.** ..... **14-01**

(52) **U.S. Cl.**  
USPC ..... **D14/223**

(58) **Field of Classification Search**  
USPC ..... D14/223, 205; D3/294, 201, 274, 265, D3/266, 218; D9/420, 529, 734, 711,  
(Continued)

(56) **References Cited**

**U.S. PATENT DOCUMENTS**

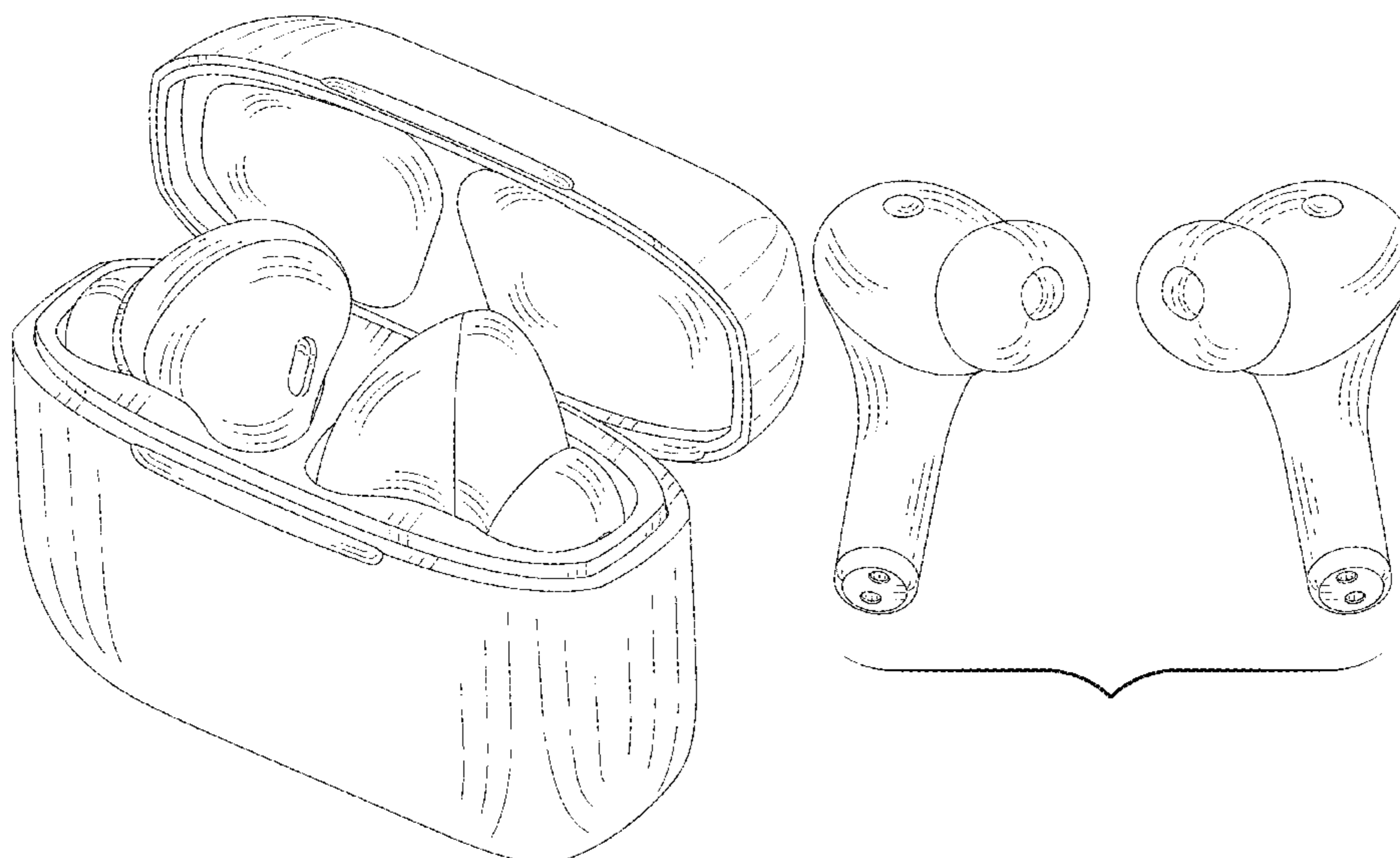
D587,685 S \* 3/2009 Densho ..... D14/206  
D589,498 S \* 3/2009 Komiyama ..... D14/223  
(Continued)

**FOREIGN PATENT DOCUMENTS**

CN 305135845 \* 4/2019  
EM 006262796-0001 \* 2/2019  
(Continued)

FIG. 1 is a perspective view of a charging case of the wireless earbuds with charging case showing my new design where the charging case is in a closed state; FIG. 2 is a perspective view of the wireless earbuds with charging case where wireless earbuds are received in the charging case; FIG. 3 is a perspective view of the charging case thereof, where the charging case is in an open position; FIG. 4 is a front elevational view thereof; FIG. 5 is a rear elevational view thereof; FIG. 6 is a left side elevational view thereof; FIG. 7 is a right side elevational view thereof; FIG. 8 is a top plan view thereof; FIG. 9 is a bottom plan view thereof; FIG. 10 is another perspective view thereof; FIG. 11 is a perspective view of the wireless earbuds of the wireless earbuds with charging case shown separately for ease of illustration; FIG. 12 is another perspective view thereof; FIG. 13 is a front elevational view thereof; FIG. 14 is a rear elevational view thereof; FIG. 15 is a left side elevational view thereof; FIG. 16 is a right side elevational view thereof; FIG. 17 is a top plan view thereof; and, FIG. 18 is a bottom plan view thereof. The broken lines in the drawings depict boundaries of the wireless earbuds with charging case and are for illustrative purpose only, the broken lines form no part of the claimed design.

**1 Claim, 18 Drawing Sheets**



(58) **Field of Classification Search**

USPC ..... D9/455, 426, 424, 432, 428, 415, 423,  
 D9/721; 381/380, 381, 374; 455/90.3,  
 455/575.1, 569.1, 573; D13/108, 107;  
 206/702  
 CPC ..... H04R 1/10; H04R 25/00; H04R 1/1016;  
 H04R 1/066; H04R 5/033; H04R 5/0335;  
 H04R 1/1091; H04R 1/1058; H04R  
 1/105; H04R 1/1083; H04R 1/1033;  
 H04R 1/06; B65D 85/00

See application file for complete search history.

(56) **References Cited**

U.S. PATENT DOCUMENTS

D590,371 S \* 4/2009 Leinvuo ..... D14/205  
 D593,537 S \* 6/2009 Arimoto ..... D14/205  
 D641,738 S \* 7/2011 Perez ..... D14/223  
 D652,823 S \* 1/2012 Chen ..... H04R 25/00  
 D14/223  
 D660,290 S \* 5/2012 Weedon ..... D14/223  
 D662,493 S \* 6/2012 Chen ..... D14/223  
 D666,581 S \* 9/2012 Perez ..... D14/223  
 D671,531 S \* 11/2012 Kim ..... D14/223  
 D681,015 S \* 4/2013 Akana ..... H04R 1/1016  
 D14/223  
 D695,721 S \* 12/2013 Thompson ..... D14/223  
 D707,206 S \* 6/2014 Akana ..... H04R 1/10  
 D14/223  
 D711,857 S \* 8/2014 Burgett ..... D14/223  
 D718,284 S \* 11/2014 Shibusawa ..... D14/223  
 D730,876 S \* 6/2015 Dahlberg ..... D14/223  
 D732,008 S \* 6/2015 Akana ..... H04R 1/10  
 D14/223  
 D733,101 S \* 6/2015 Pi ..... D14/223  
 D733,689 S \* 7/2015 Narita ..... D14/223  
 D738,864 S \* 9/2015 Lee ..... D14/223

D741,287 S \* 10/2015 Harata ..... D14/205  
 D757,682 S \* 5/2016 Perez ..... D14/205  
 D760,202 S \* 6/2016 Hsieh ..... D14/223  
 D770,412 S \* 11/2016 Son ..... D14/205  
 D784,962 S \* 4/2017 Yang ..... D14/223  
 D801,314 S \* 10/2017 Akana ..... D14/223  
 D801,962 S \* 11/2017 Smith ..... D14/307  
 D806,388 S \* 1/2018 Akana ..... D3/294  
 D810,431 S \* 2/2018 Kim ..... D3/266  
 D818,268 S \* 5/2018 Akana ..... D3/294  
 D820,809 S \* 6/2018 Akana ..... D14/205  
 D822,009 S \* 7/2018 Matoba ..... D14/223  
 D830,336 S \* 10/2018 Cai ..... D14/205  
 D832,824 S \* 11/2018 Kim ..... D14/223  
 D838,480 S \* 1/2019 Son ..... D3/294  
 D841,581 S \* 2/2019 Bonahoom ..... D13/108  
 D846,264 S \* 4/2019 Wu ..... D3/201  
 D847,125 S \* 4/2019 Akana ..... D14/223  
 D849,401 S \* 5/2019 Akana ..... D3/274  
 D853,116 S \* 7/2019 Bergman ..... D3/294  
 D861,647 S \* 10/2019 Chen ..... D14/223  
 D863,261 S \* 10/2019 Zhu  
 D869,445 S \* 12/2019 Hu ..... D14/223  
 D870,451 S \* 12/2019 Birger ..... D3/201  
 D877,722 S \* 3/2020 Yang ..... D14/223  
 D878,045 S \* 3/2020 Akana ..... D3/274  
 D878,337 S \* 3/2020 Yang ..... D14/223  
 D881,572 S \* 4/2020 Wang ..... D3/294  
 D882,553 S \* 4/2020 Wu ..... D14/223  
 D885,373 S \* 5/2020 Lundback ..... D14/223  
 D886,455 S \* 6/2020 Williamson ..... D3/294  
 2012/0237074 A1 \* 9/2012 Aase ..... H04R 1/1075  
 381/380  
 2016/0360350 A1 \* 12/2016 Watson ..... H04L 67/16

FOREIGN PATENT DOCUMENTS

EM 007308564-0001 \* 11/2019  
 EM 007338637-0001 \* 12/2019

\* cited by examiner

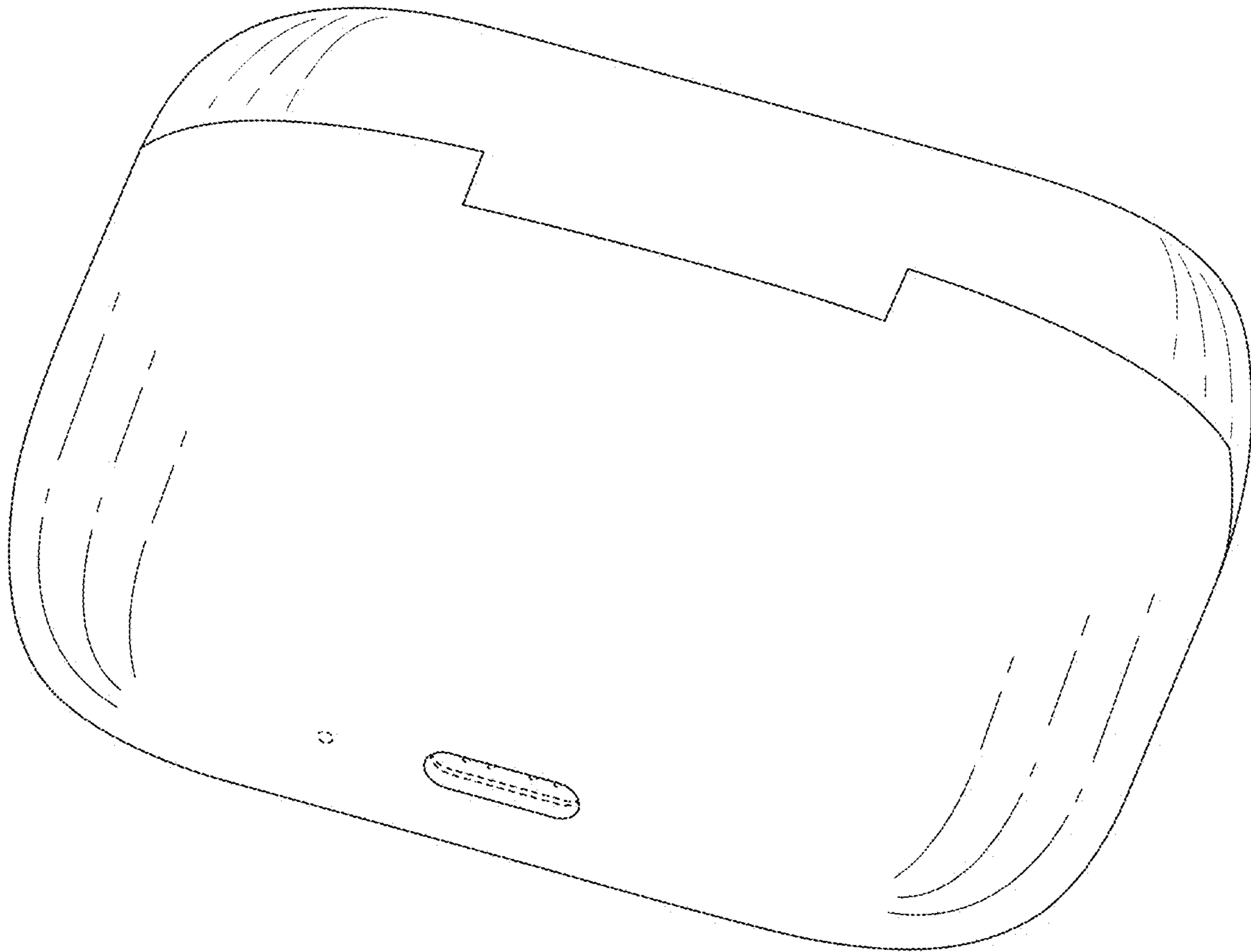


FIG. 1

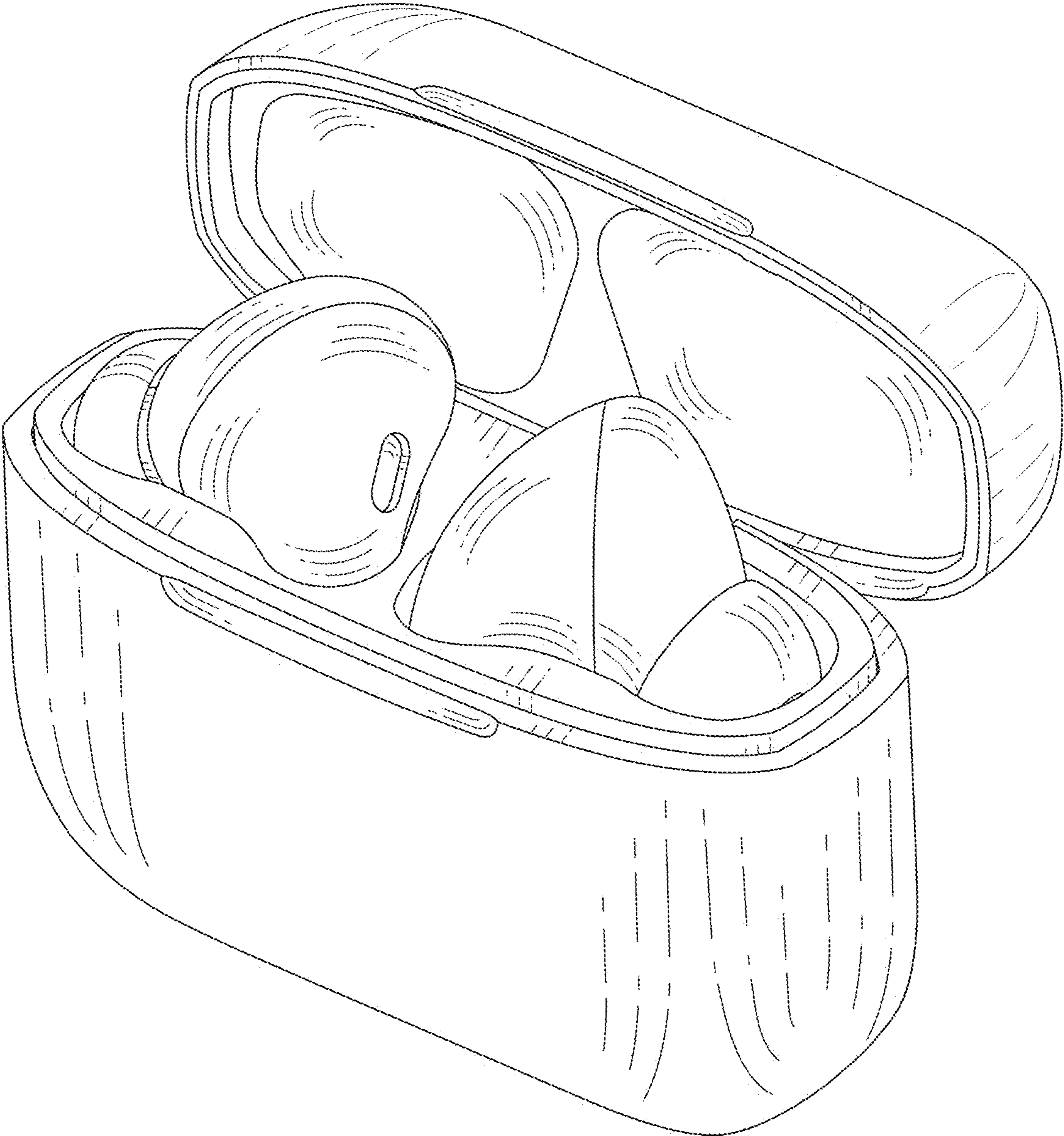


FIG. 2

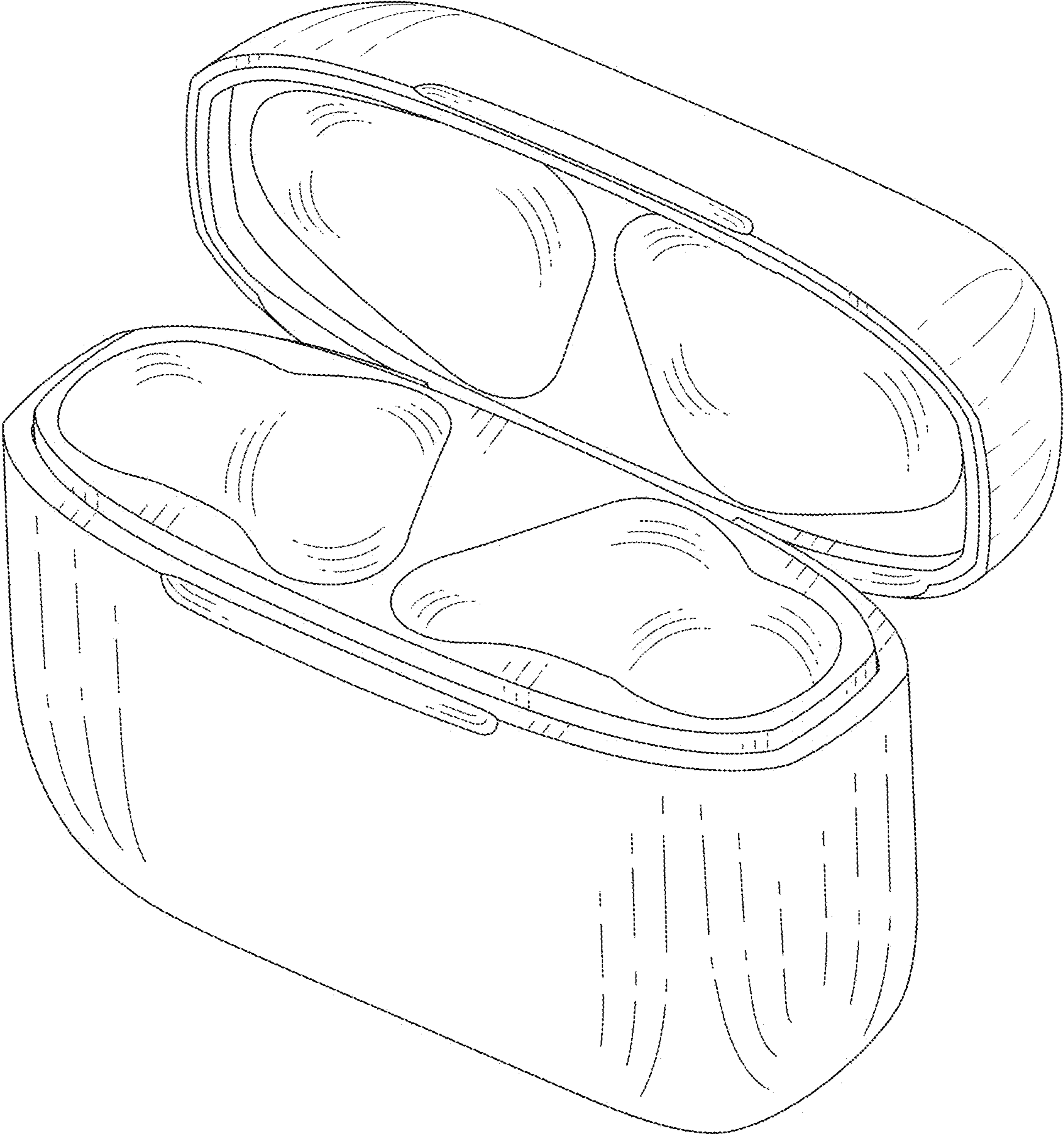


FIG. 3

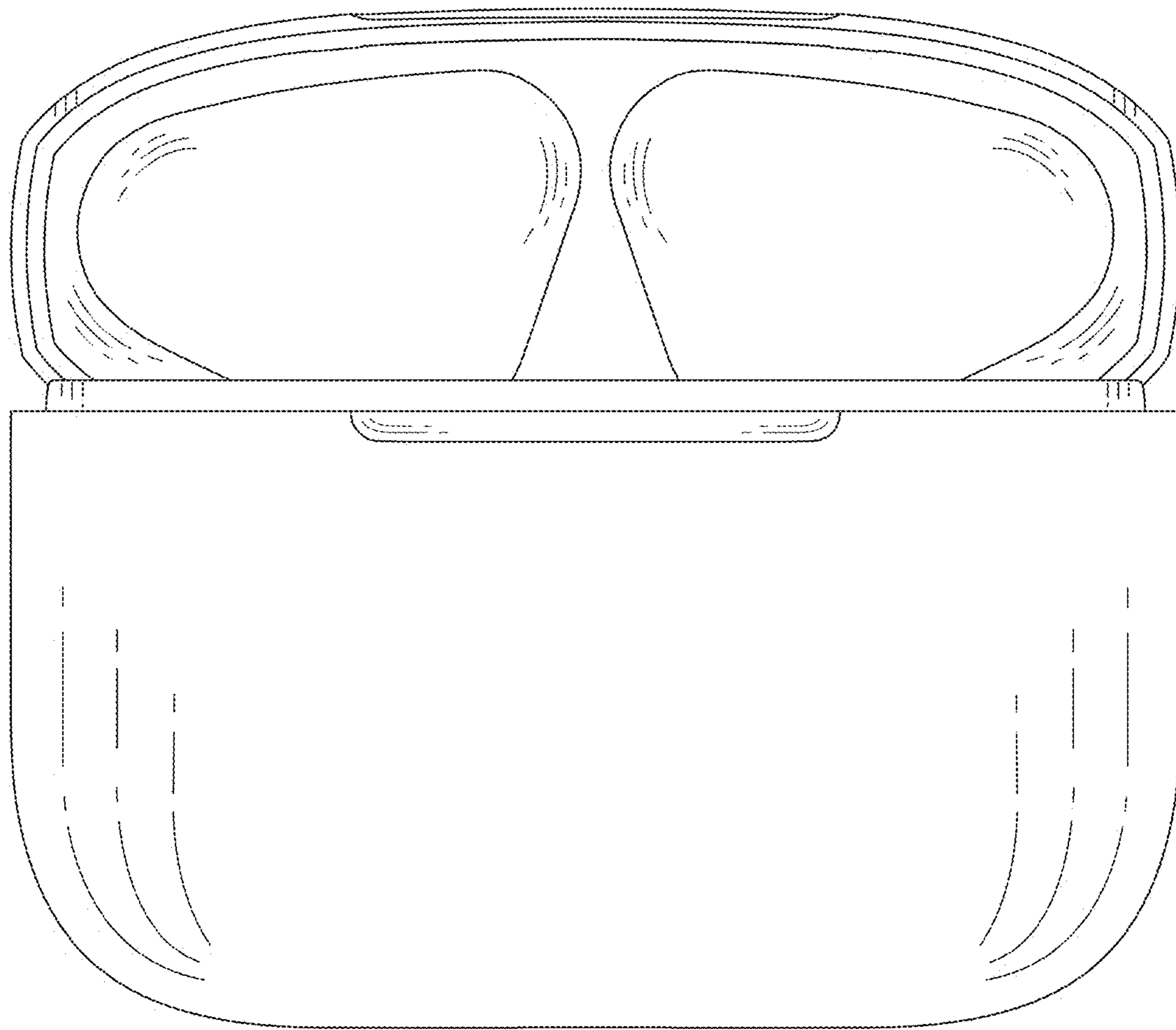


FIG. 4

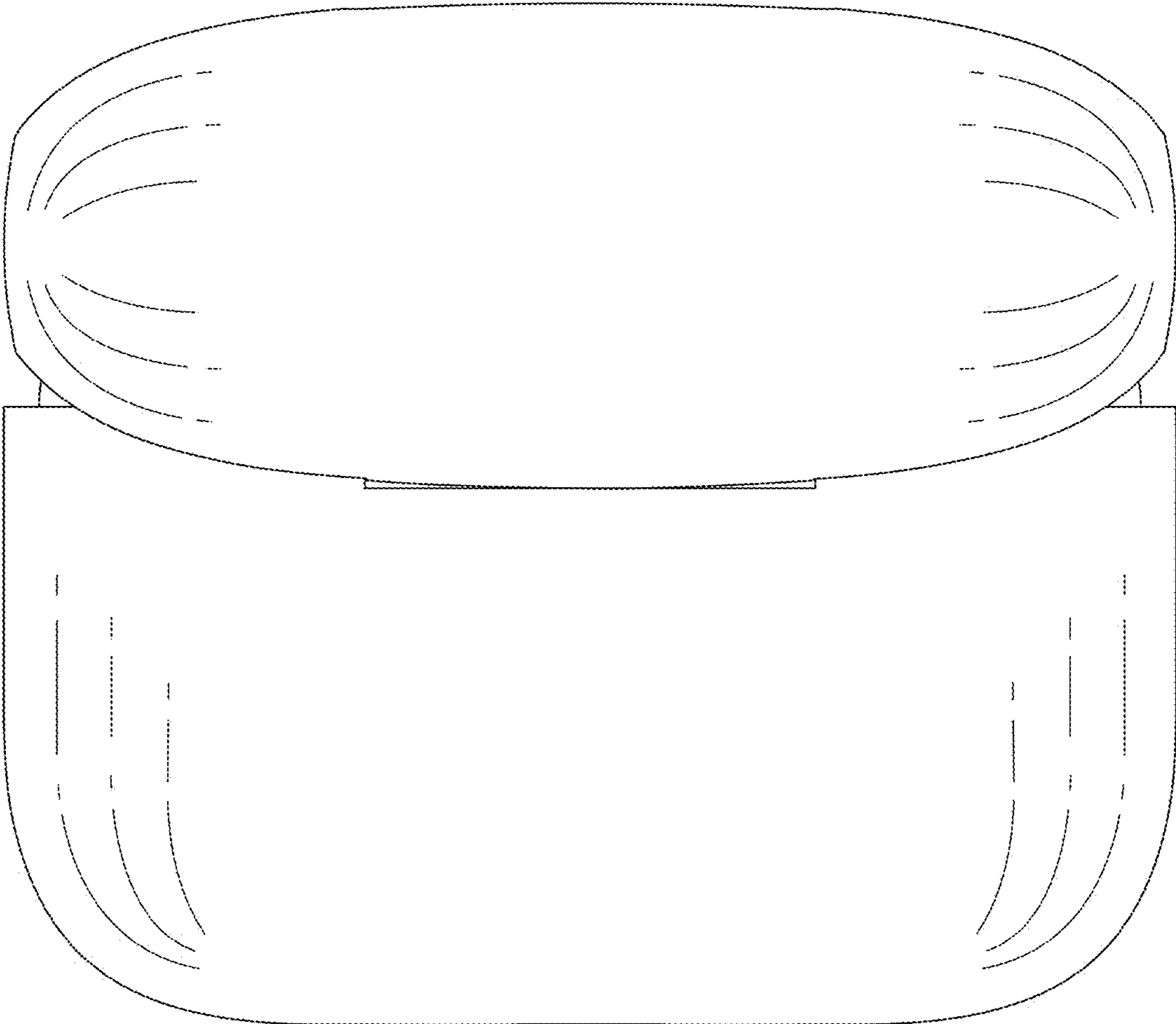


FIG. 5

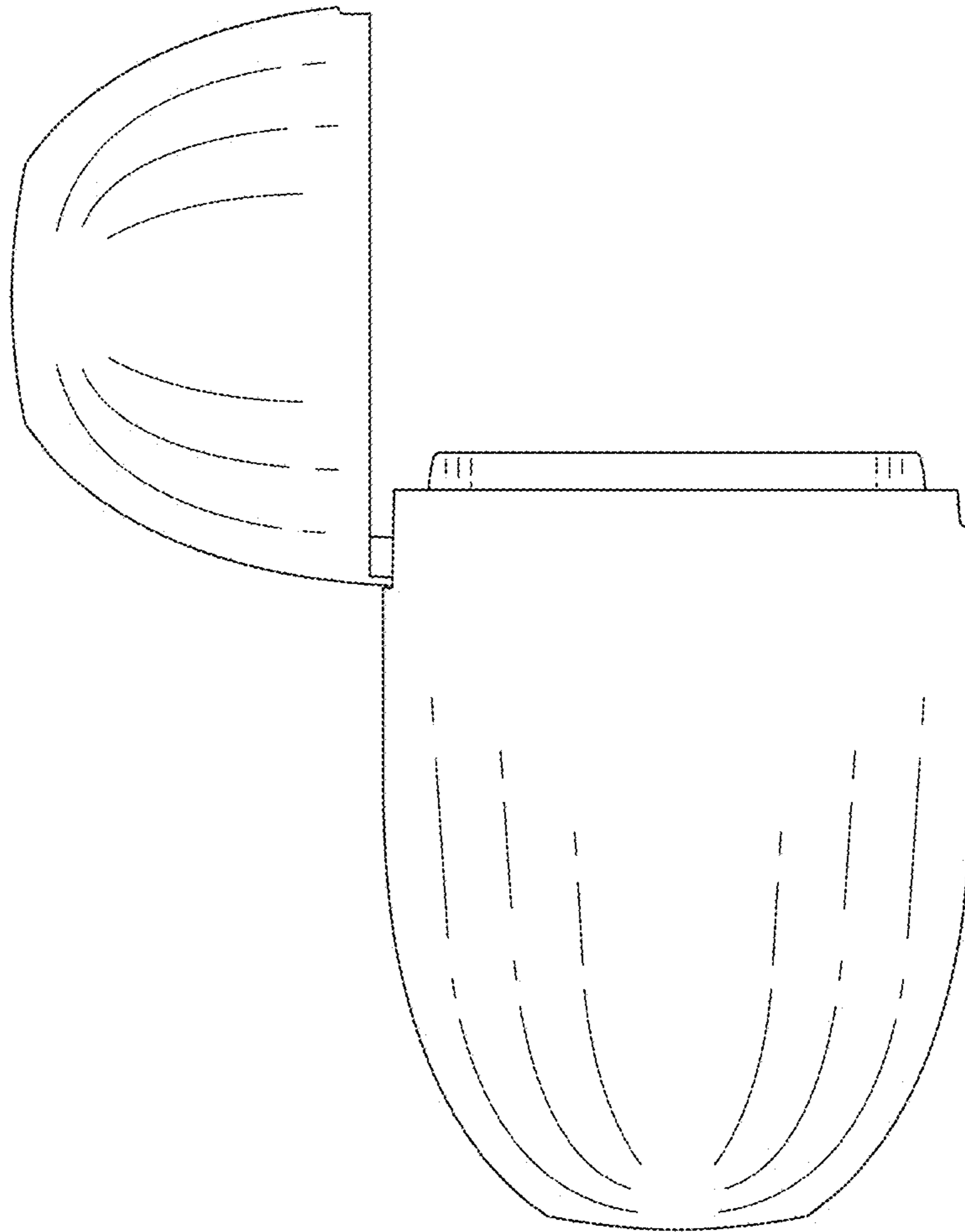


FIG. 6



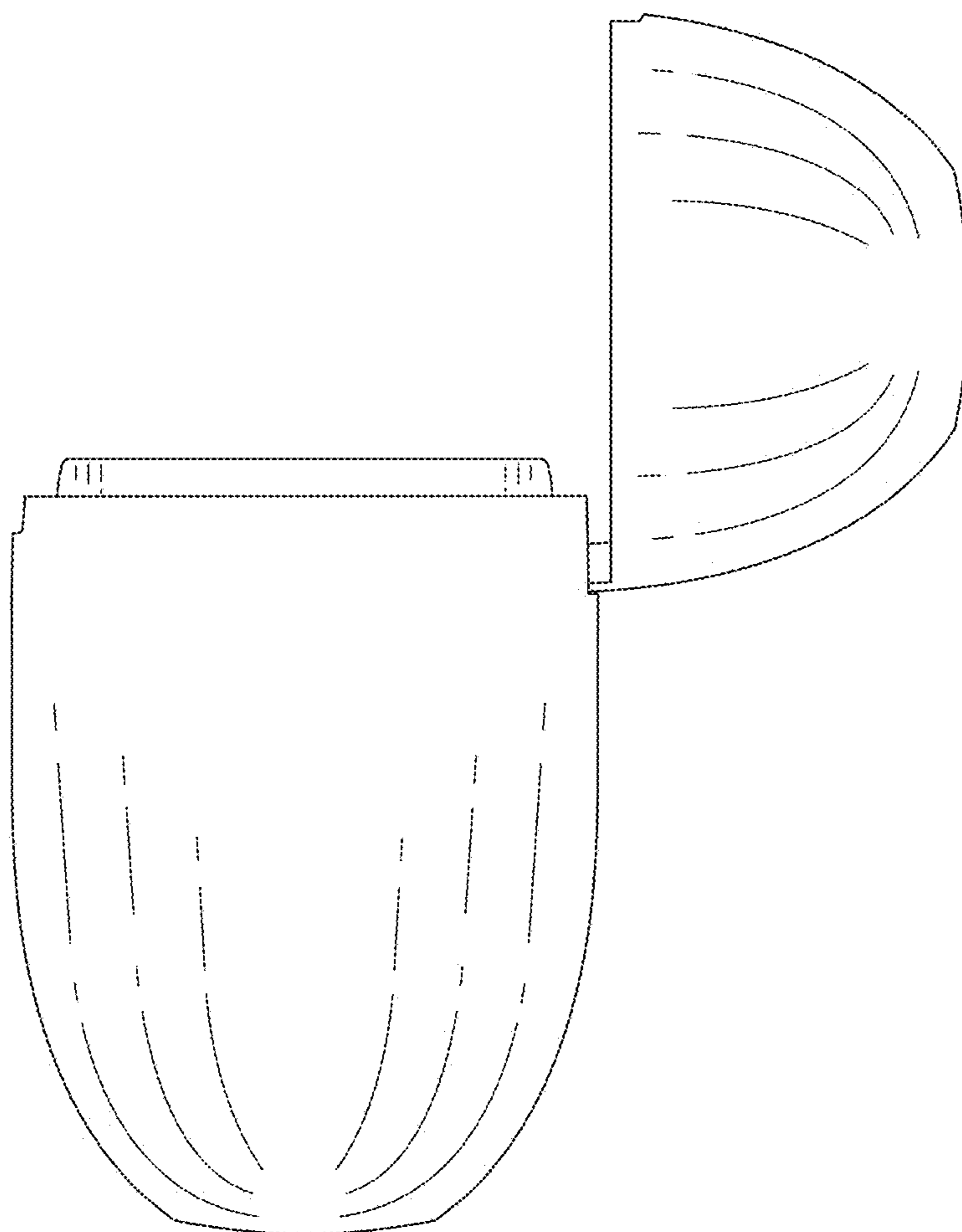


FIG. 7

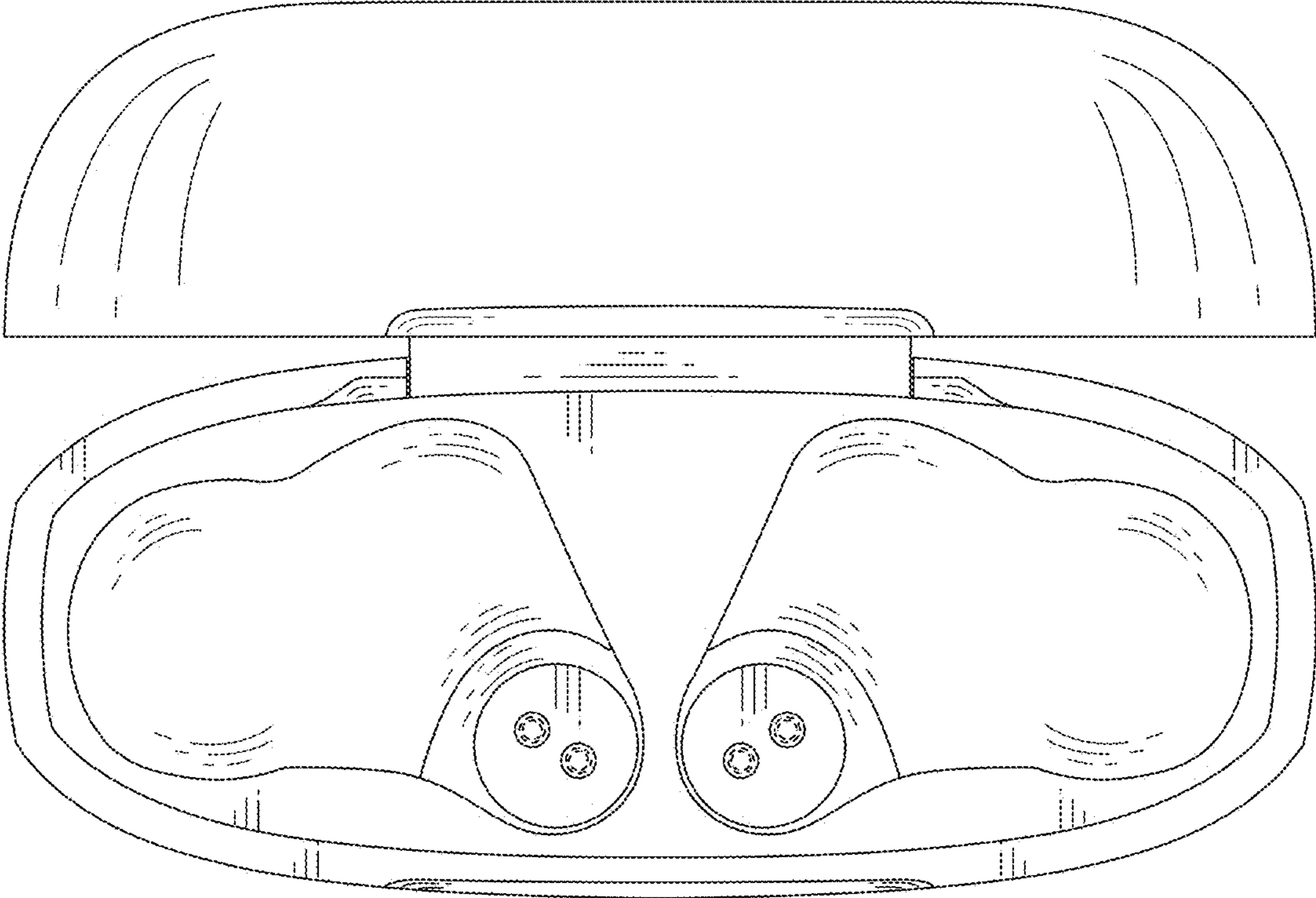


FIG. 8

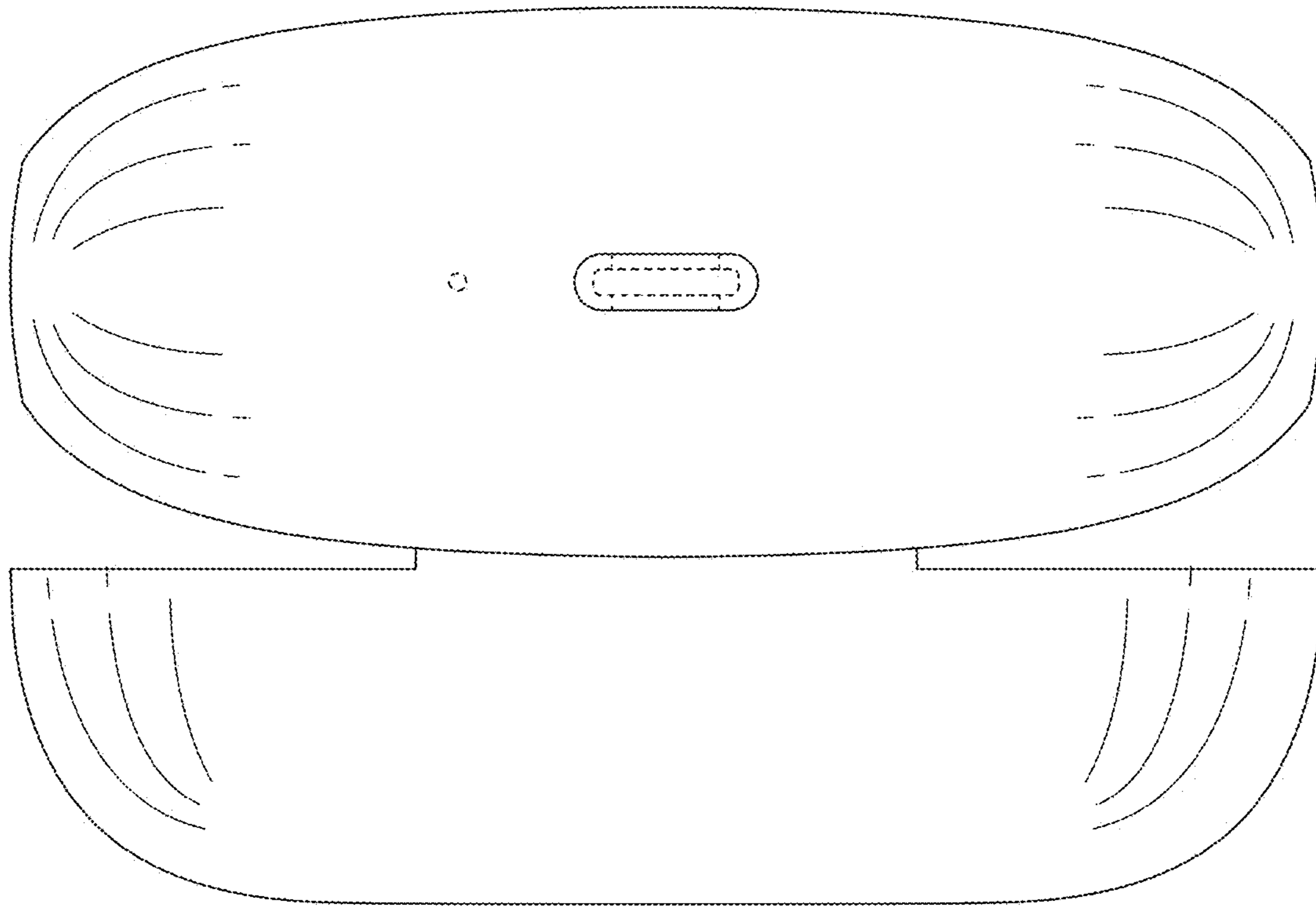


FIG. 9

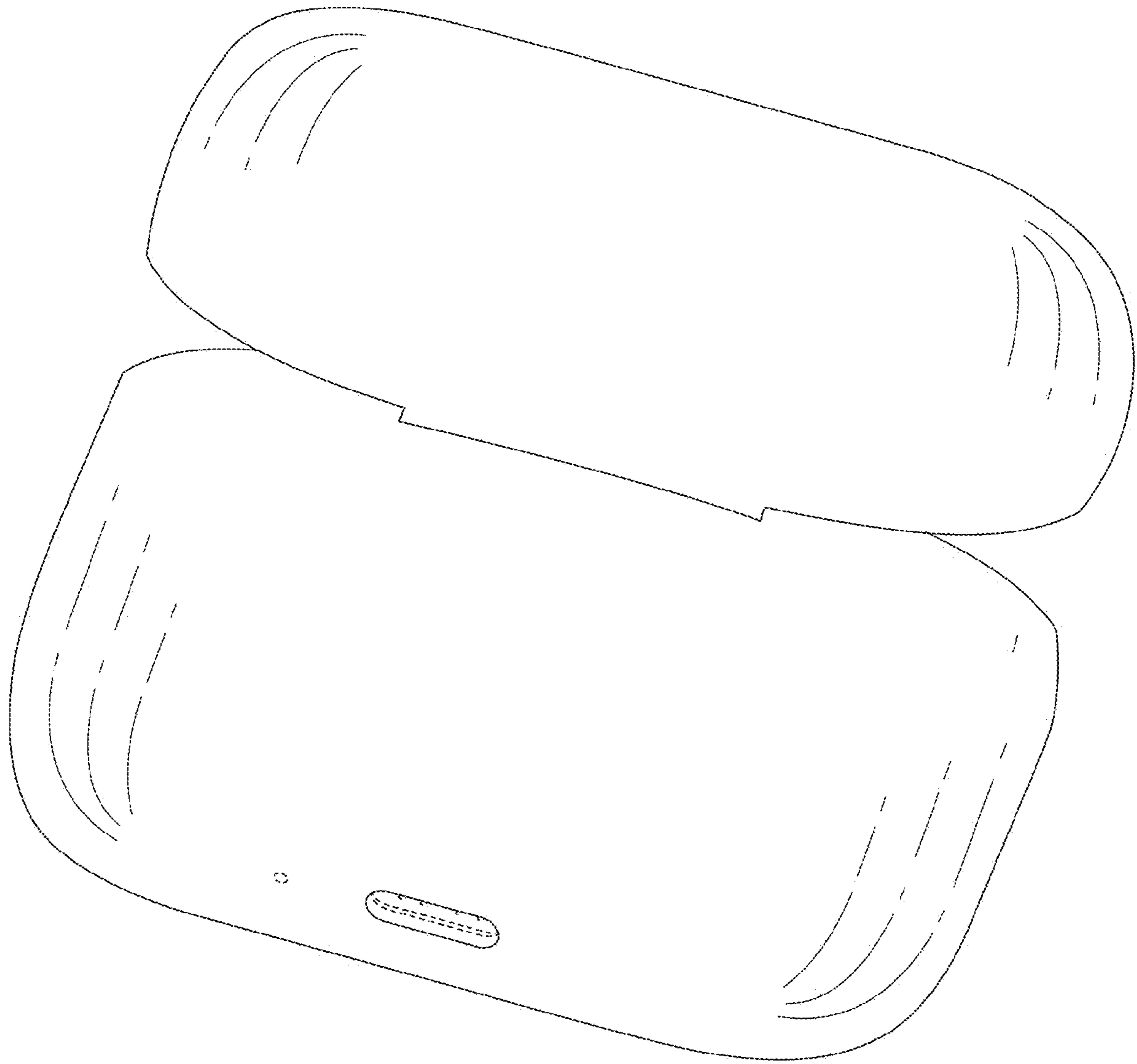


FIG. 10

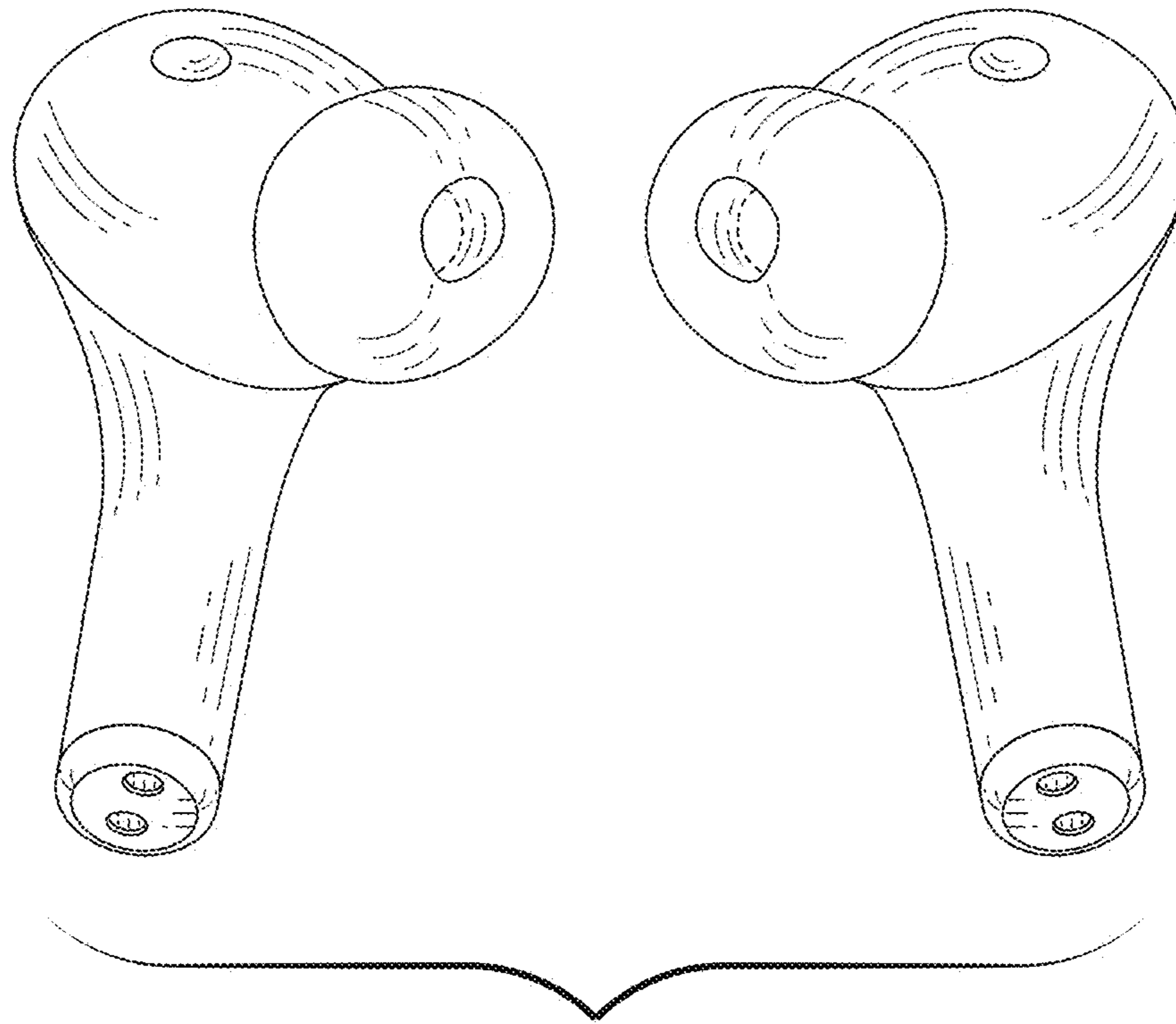


FIG. 11

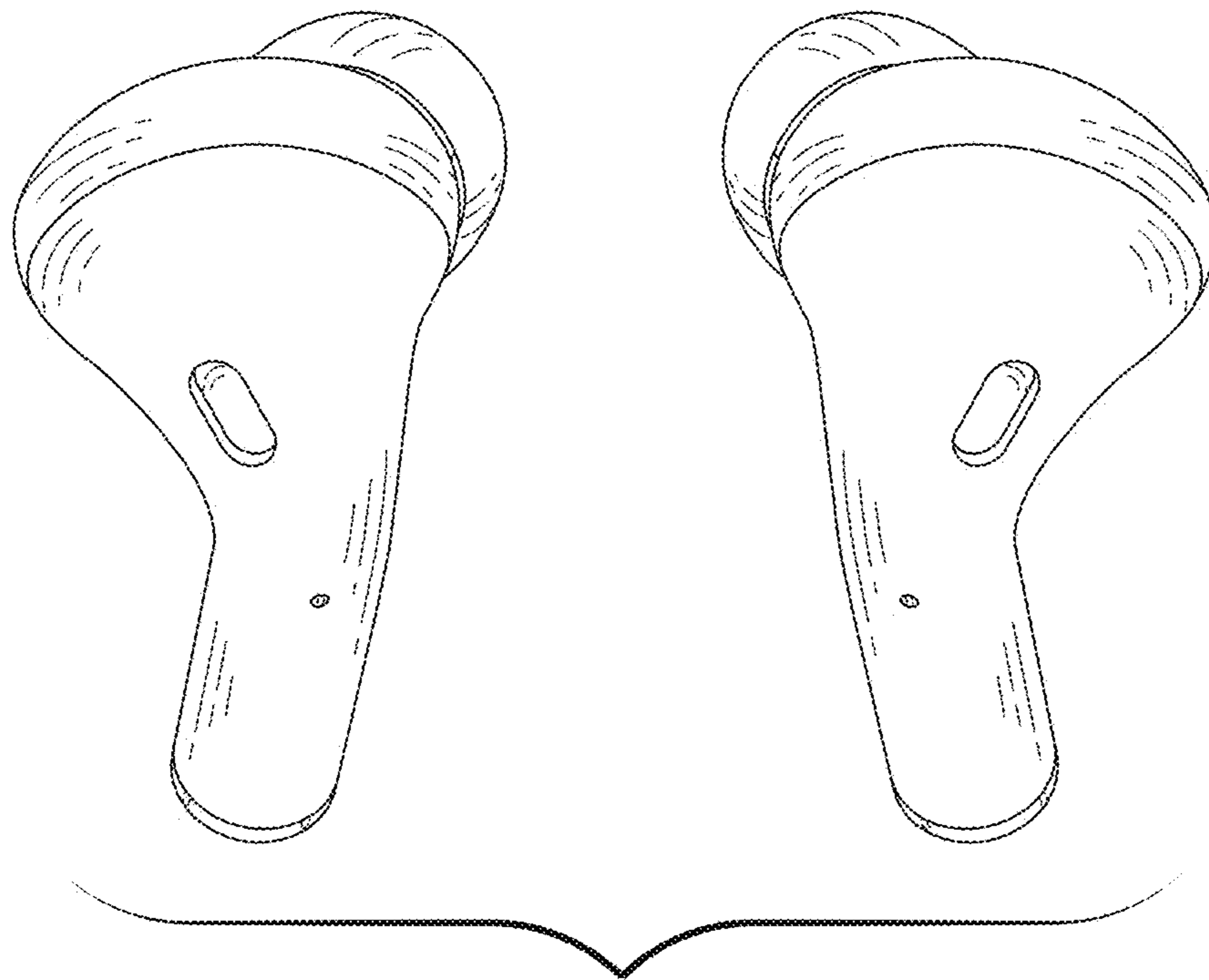


FIG. 12

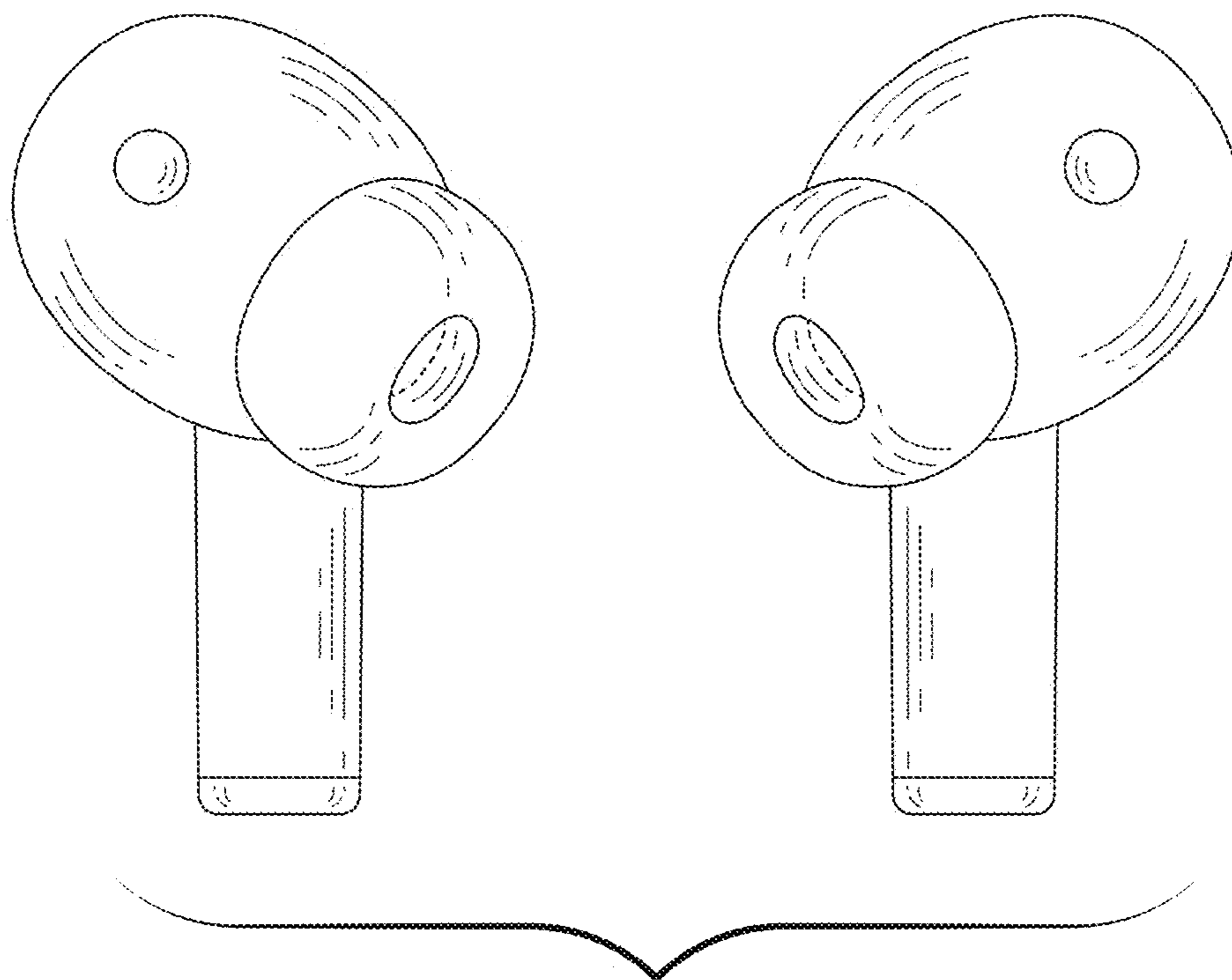


FIG. 13

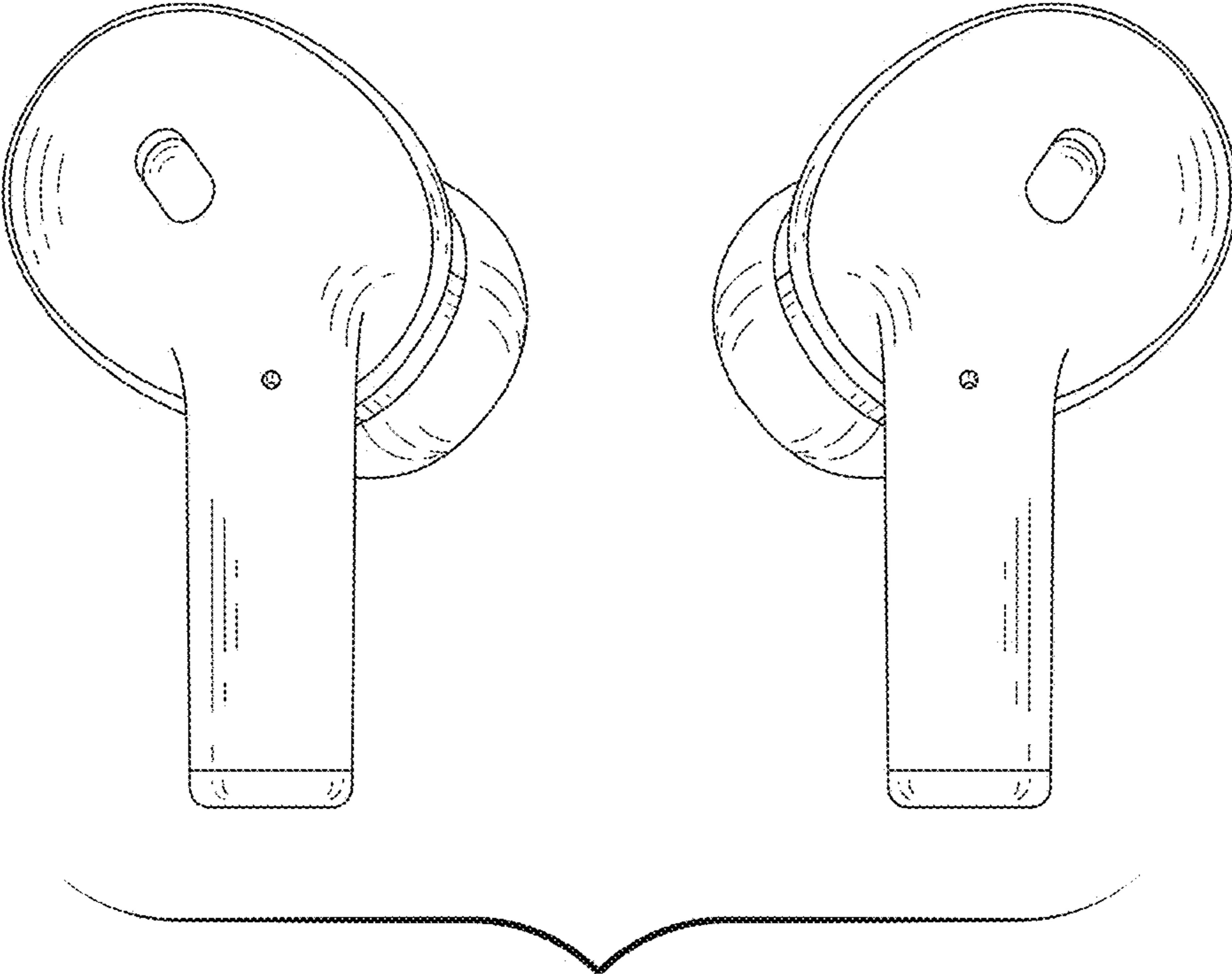


FIG. 14



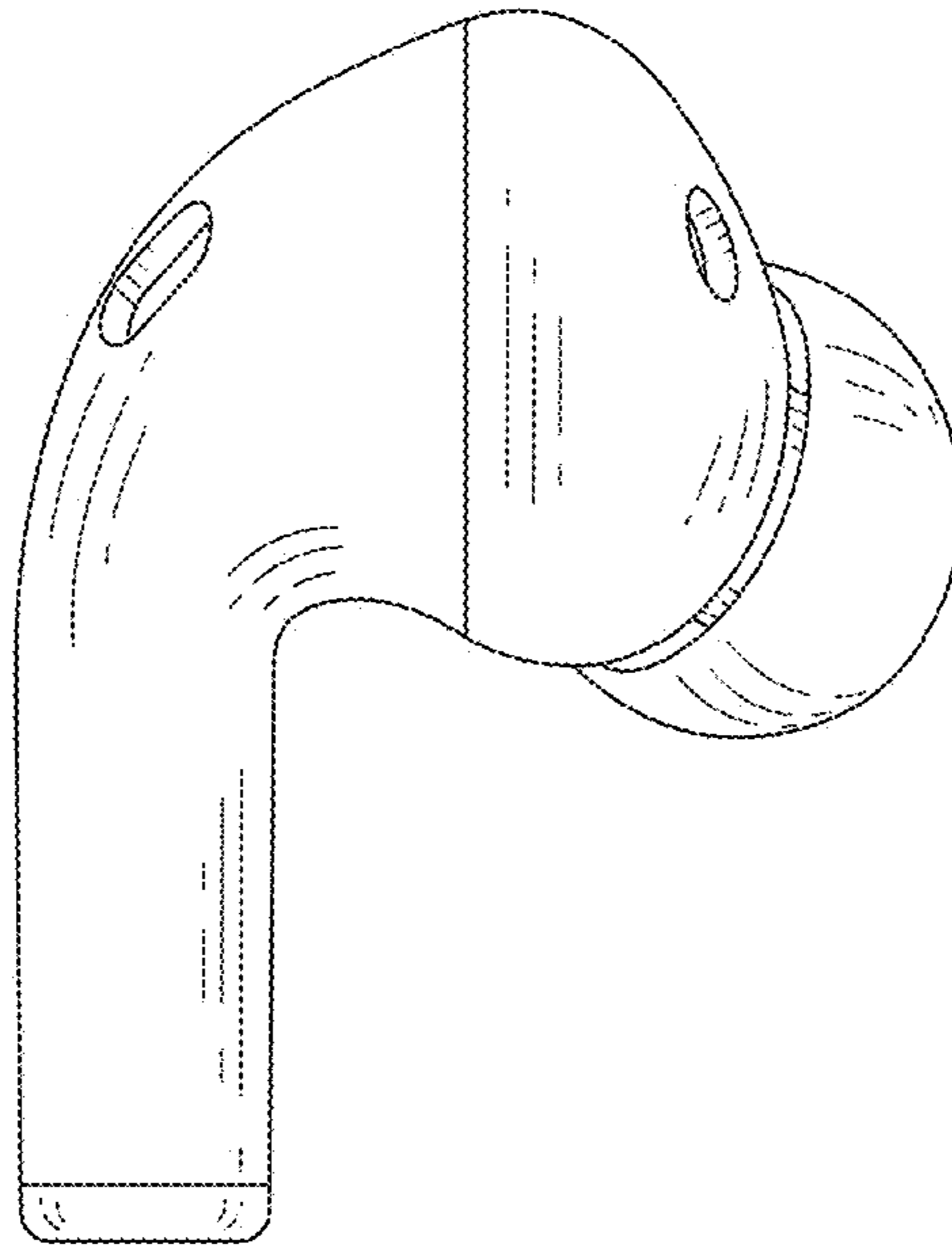


FIG. 15

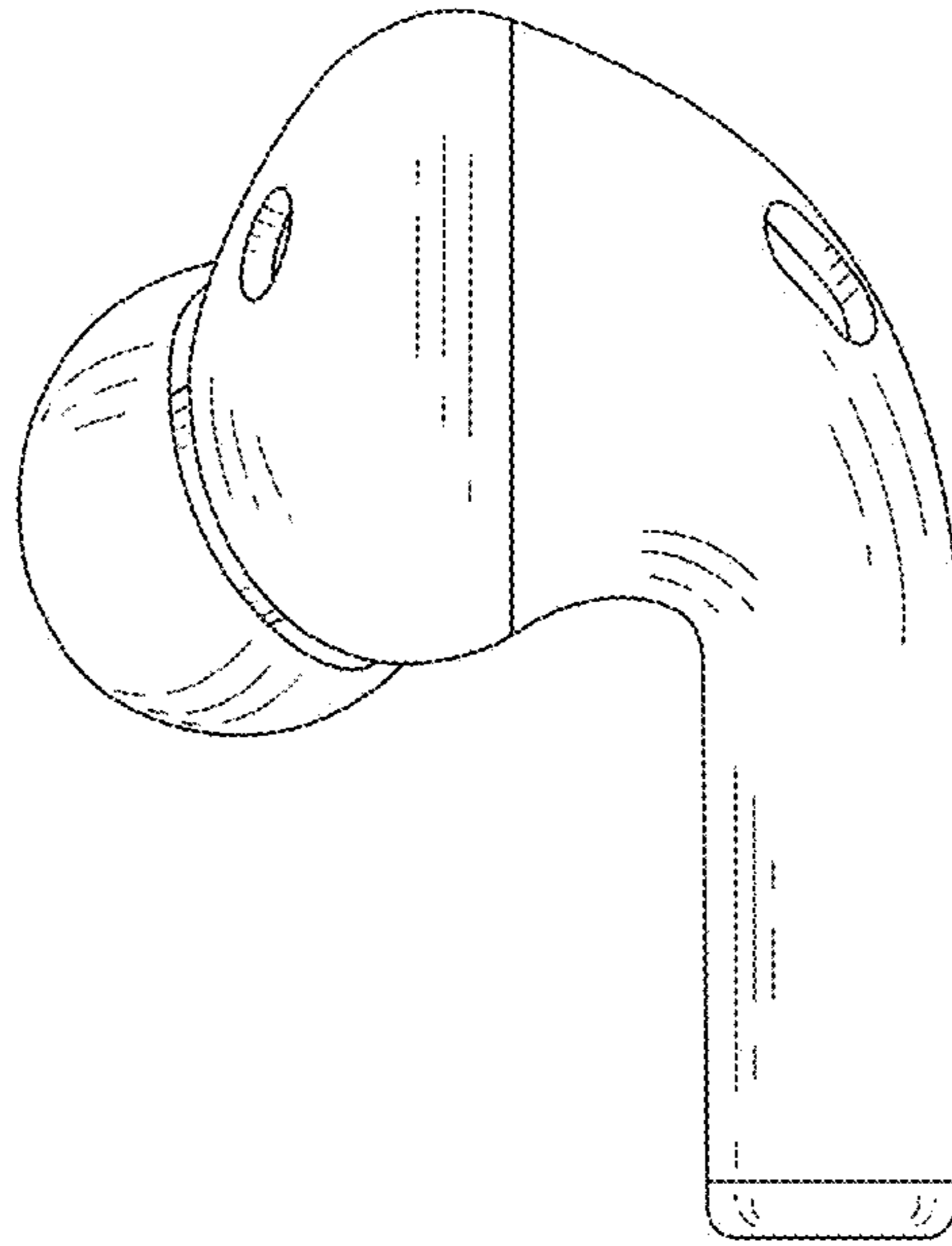


FIG. 16

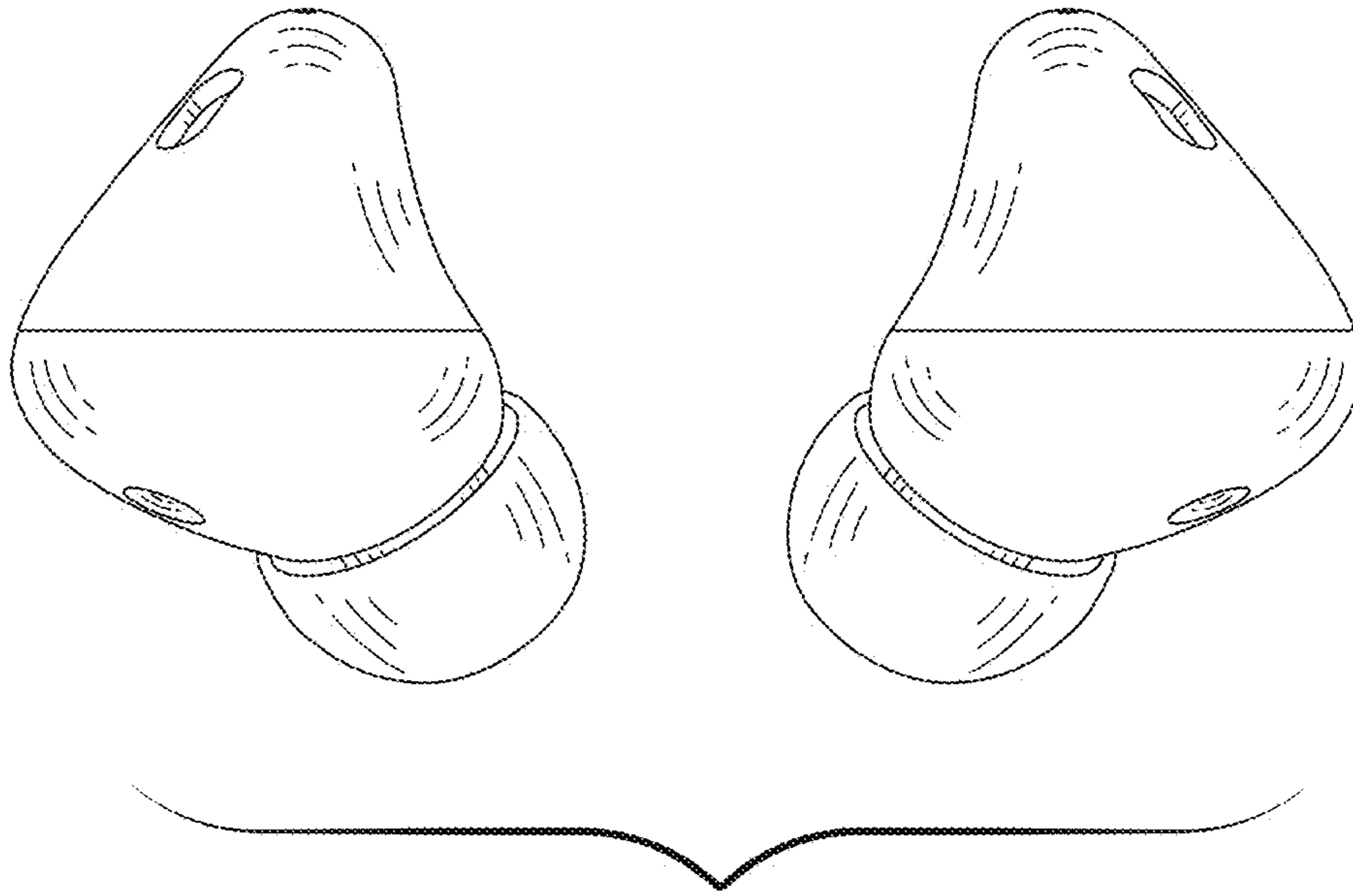


FIG. 17

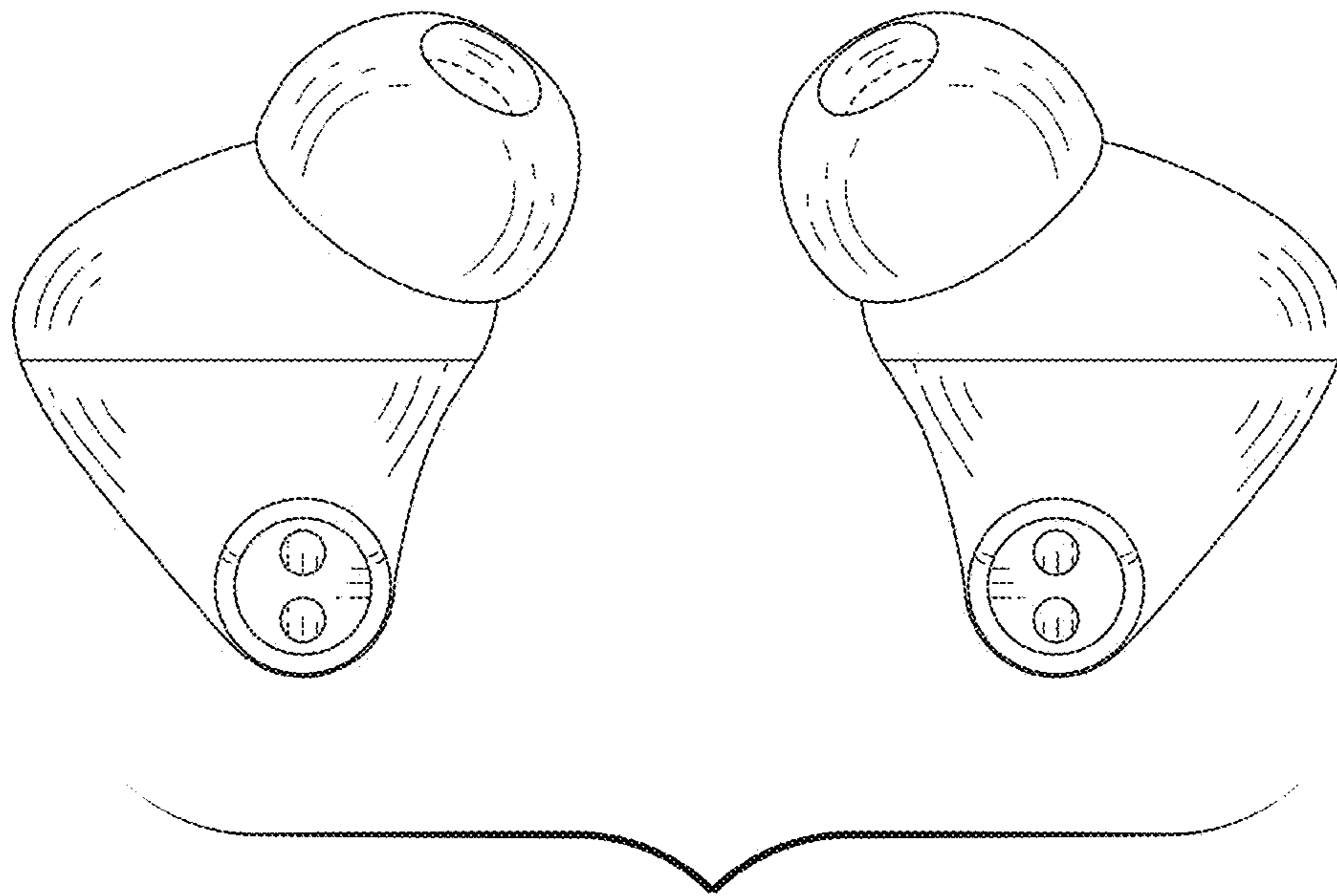


FIG. 18