



US00D897996S

(12) **United States Design Patent**
Mei

(10) **Patent No.:** **US D897,996 S**

(45) **Date of Patent:** **** Oct. 6, 2020**

(54) **EARPHONE**

(71) Applicant: **Qingkai Mei**, Guangdong (CN)

(72) Inventor: **Qingkai Mei**, Guangdong (CN)

(73) Assignee: **Shenzhen MeiDong Acoustics Co., Ltd.**, Shenzhen, Guangdong (CN)

(**) Term: **15 Years**

(21) Appl. No.: **29/685,023**

(22) Filed: **Mar. 26, 2019**

(51) **LOC (12) Cl.** **14-01**

(52) **U.S. Cl.**

USPC **D14/223**

(58) **Field of Classification Search**

USPC D14/223, 205; D24/174; 128/864, 865,
128/866; 455/90.3, 575.1, 569.1

CPC H04R 1/10; H04R 25/00; H04R 1/1016;
H04R 1/1066; H04R 5/033; H04R
5/0335; H04R 1/1091; H04R 1/1058;
H04R 1/1041; H04R 1/1083

See application file for complete search history.

(56) **References Cited**

U.S. PATENT DOCUMENTS

D337,118 S *	7/1993	Seikita	D14/223
D337,589 S *	7/1993	Wada	D14/223
D338,530 S *	8/1993	Oberlander	D24/174
D353,379 S *	12/1994	Nakamura	D14/223
D378,987 S *	4/1997	Ross	D8/356
D402,556 S *	12/1998	Frye	D9/447
D418,512 S *	1/2000	Lin	D14/227
D451,493 S *	12/2001	Ng	D14/189
D475,996 S *	6/2003	Skulley	D14/223
D477,593 S *	7/2003	Komiyama	D14/223
D477,822 S *	7/2003	Komiyama	D14/223
D504,884 S *	5/2005	Hering	D14/206
D511,768 S *	11/2005	Naito	D14/205

D511,770 S *	11/2005	Chung	D14/480.5
D535,561 S *	1/2007	Smith	D9/435
D539,267 S *	3/2007	Komiyama	D14/205
D555,021 S *	11/2007	Rounds	D10/78
D606,971 S *	12/2009	Christopher	D14/205
D606,980 S *	12/2009	Bradford	D14/218
D611,606 S *	3/2010	Vaterlaus	D24/174
D616,416 S *	5/2010	Lin	D14/189
D621,389 S *	8/2010	Nagayama	D14/223
D632,677 S *	2/2011	Brown	D14/223
D635,957 S *	4/2011	Hirano	D14/205
D637,585 S *	5/2011	Nagayama	D14/223
D652,817 S *	1/2012	Lee	D14/205
D667,382 S *	9/2012	Cosentino	D13/168
D668,632 S *	10/2012	Enquist	D14/205
D698,761 S *	2/2014	Bao	D14/223
D699,226 S *	2/2014	Yoon	D14/206
D712,882 S *	9/2014	Wang	D14/223
D717,772 S *	11/2014	Yang	D14/223

(Continued)

FOREIGN PATENT DOCUMENTS

EM	006433298-0001	*	5/2019
EM	007749817-0007	*	3/2020
KR	300963930-0000	*	7/2018

Primary Examiner — Paula Allen Greene

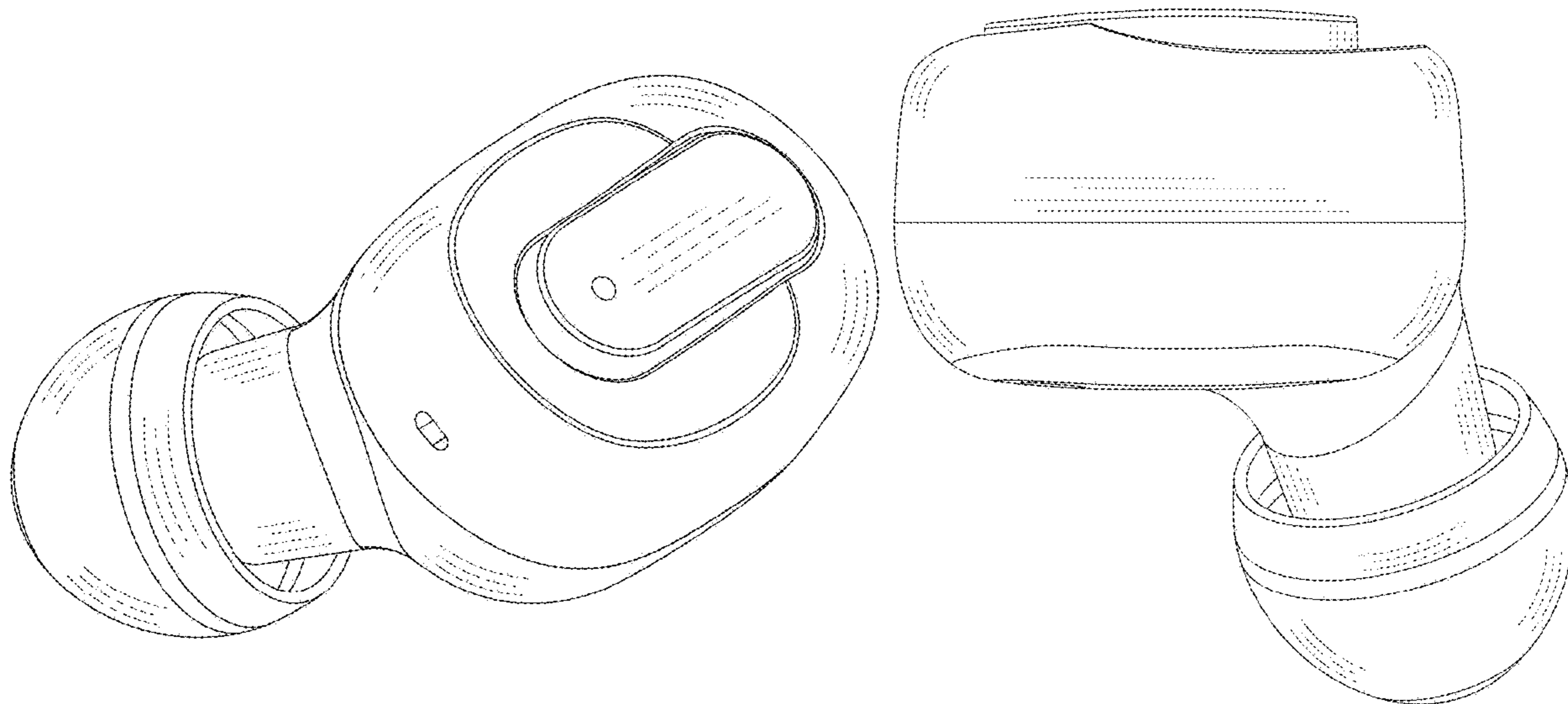
(57) **CLAIM**

The ornamental design for an earphone, as shown and described.

DESCRIPTION

FIG. 1 is a perspective view of an earphone showing my new design;
FIG. 2 is a front elevation view thereof;
FIG. 3 is a rear elevation view thereof;
FIG. 4 is a left side elevation view thereof;
FIG. 5 is a right side elevation view thereof;
FIG. 6 is a top plan view thereof; and,
FIG. 7 is a bottom plan view thereof.

1 Claim, 7 Drawing Sheets



(56)

References Cited

U.S. PATENT DOCUMENTS

D718,286 S * 11/2014 Yang D14/223
 D718,744 S * 12/2014 Thompson D14/223
 D733,103 S * 6/2015 Jeong D14/224
 D740,786 S * 10/2015 Huang D14/205
 D742,861 S * 11/2015 Miyake D14/223
 D764,445 S * 8/2016 Czaniecki D14/223
 D777,710 S * 1/2017 Palmborg D14/223
 D780,157 S * 2/2017 Ugglä D14/205
 D781,269 S * 3/2017 Choe D14/223
 D788,079 S * 5/2017 Son D14/223
 D798,843 S * 10/2017 Valenzuela D14/223
 D800,097 S * 10/2017 Chen D14/223
 D806,879 S * 1/2018 Horbinski D24/174
 D810,054 S * 2/2018 Yuan D14/223
 D817,309 S * 5/2018 Czaniecki D14/223
 D822,646 S * 7/2018 Dang D14/223
 D845,281 S * 4/2019 Lee D14/223

D845,933 S * 4/2019 Lee D14/223
 D855,588 S * 8/2019 Hao D14/223
 D858,489 S * 9/2019 Hu D14/223
 D863,263 S * 10/2019 Yu D14/223
 D864,165 S * 10/2019 Roberts D14/223
 D876,398 S * 2/2020 Cai D14/223
 D877,721 S * 3/2020 Jung D14/223
 D879,074 S * 3/2020 Komiya D14/223
 D880,457 S * 4/2020 Zhu D14/223
 D883,257 S * 5/2020 Duddy D14/223
 D883,261 S * 5/2020 Zhang D14/223
 D884,681 S * 5/2020 Zhang D14/223
 D887,395 S * 6/2020 Wang D14/223
 2009/0304220 A1* 12/2009 Fujikura H04R 1/1091
 381/380
 2012/0087532 A1* 4/2012 Yang H04R 1/26
 381/380
 2014/0205131 A1* 7/2014 Azmi H04R 1/1075
 381/380

* cited by examiner

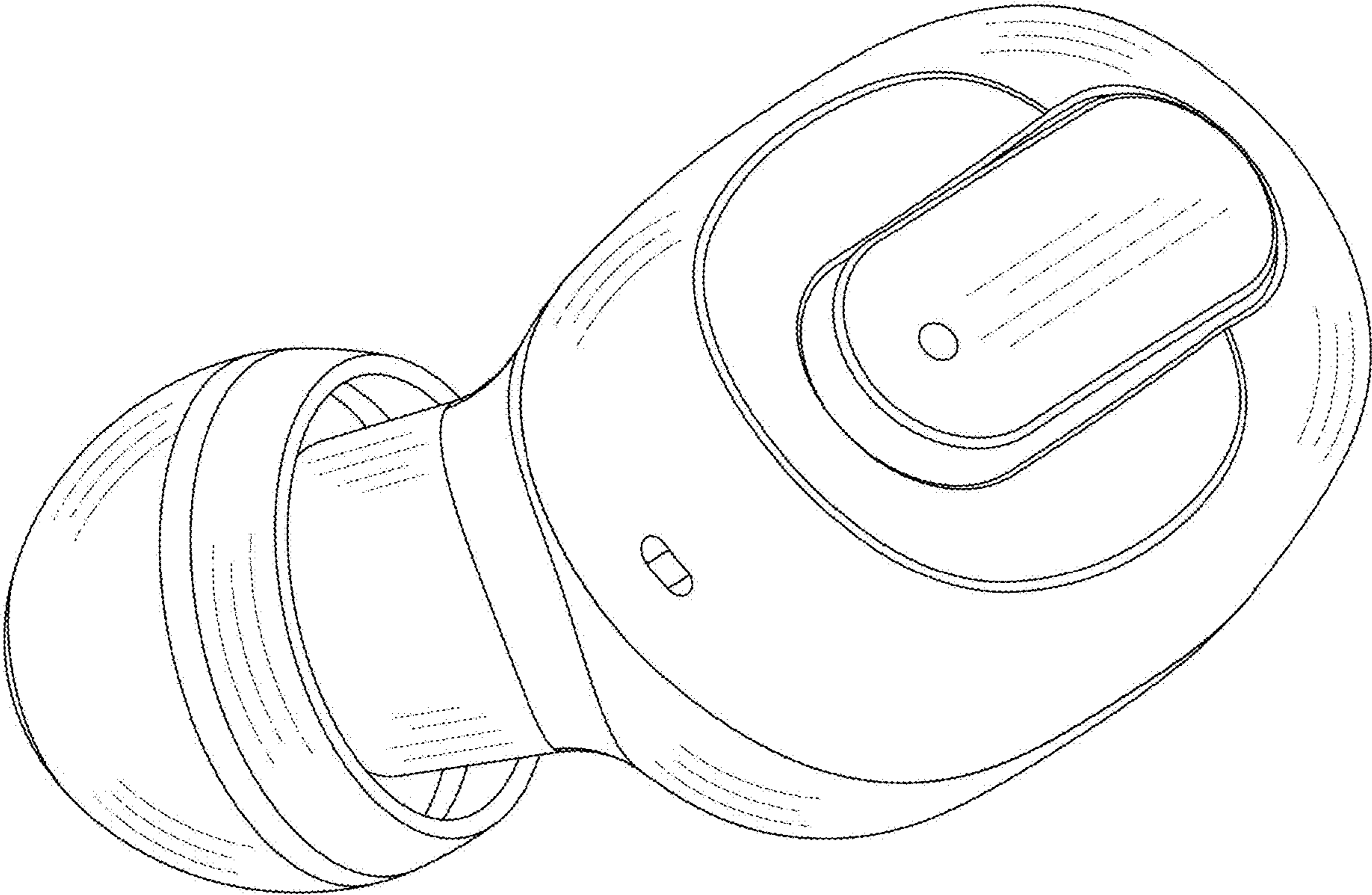


FIG.1

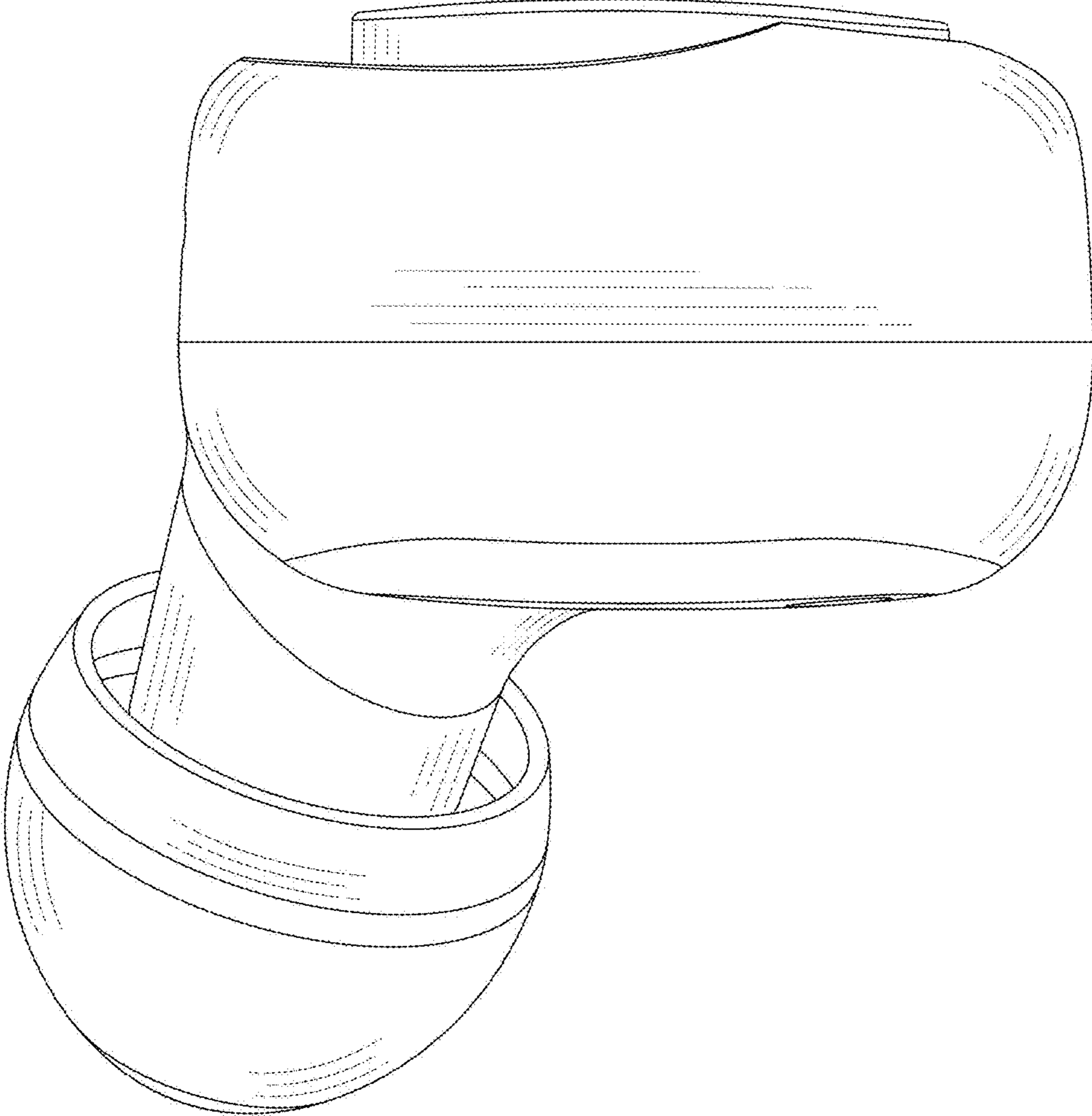


FIG.2

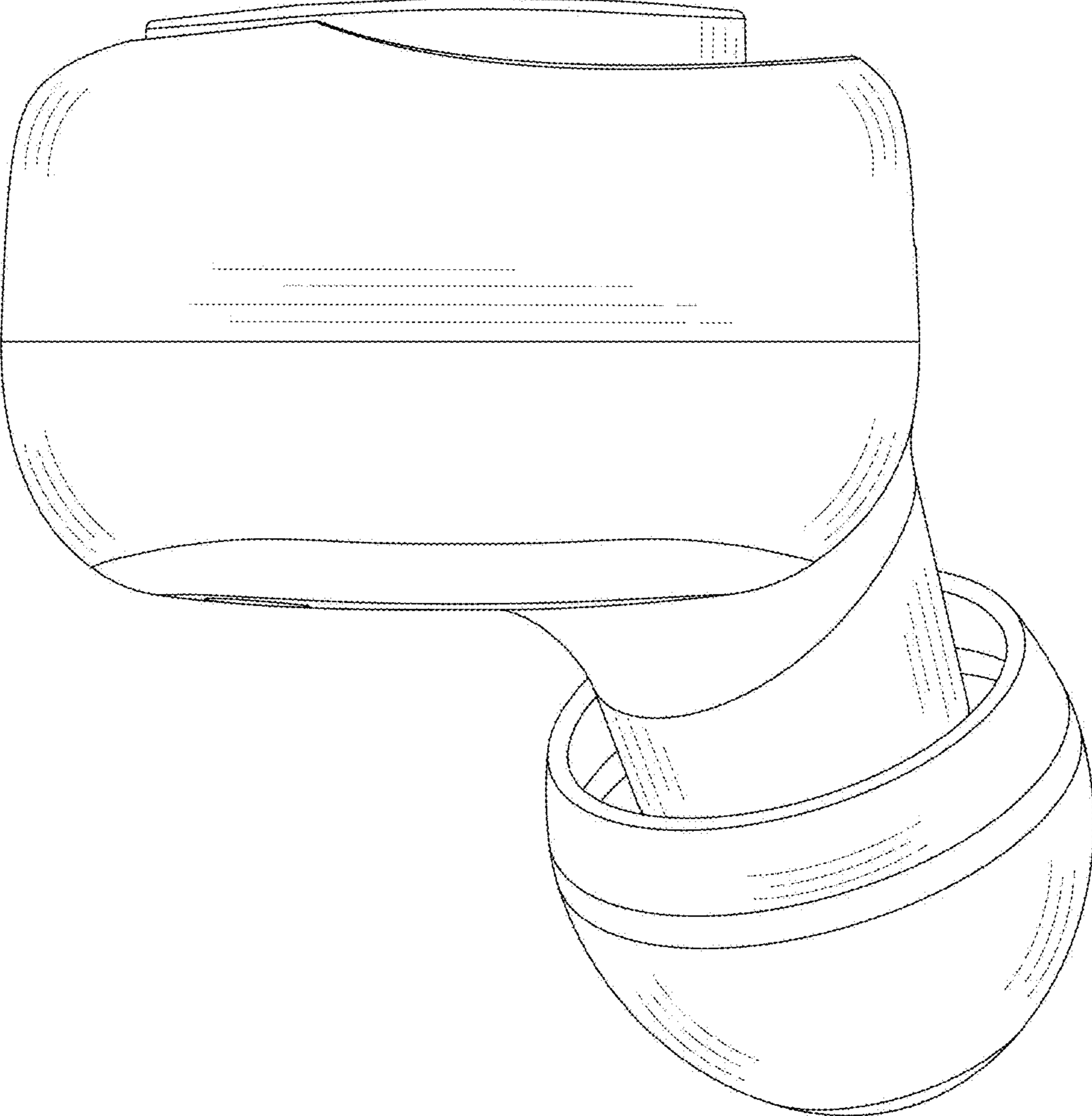


FIG.3

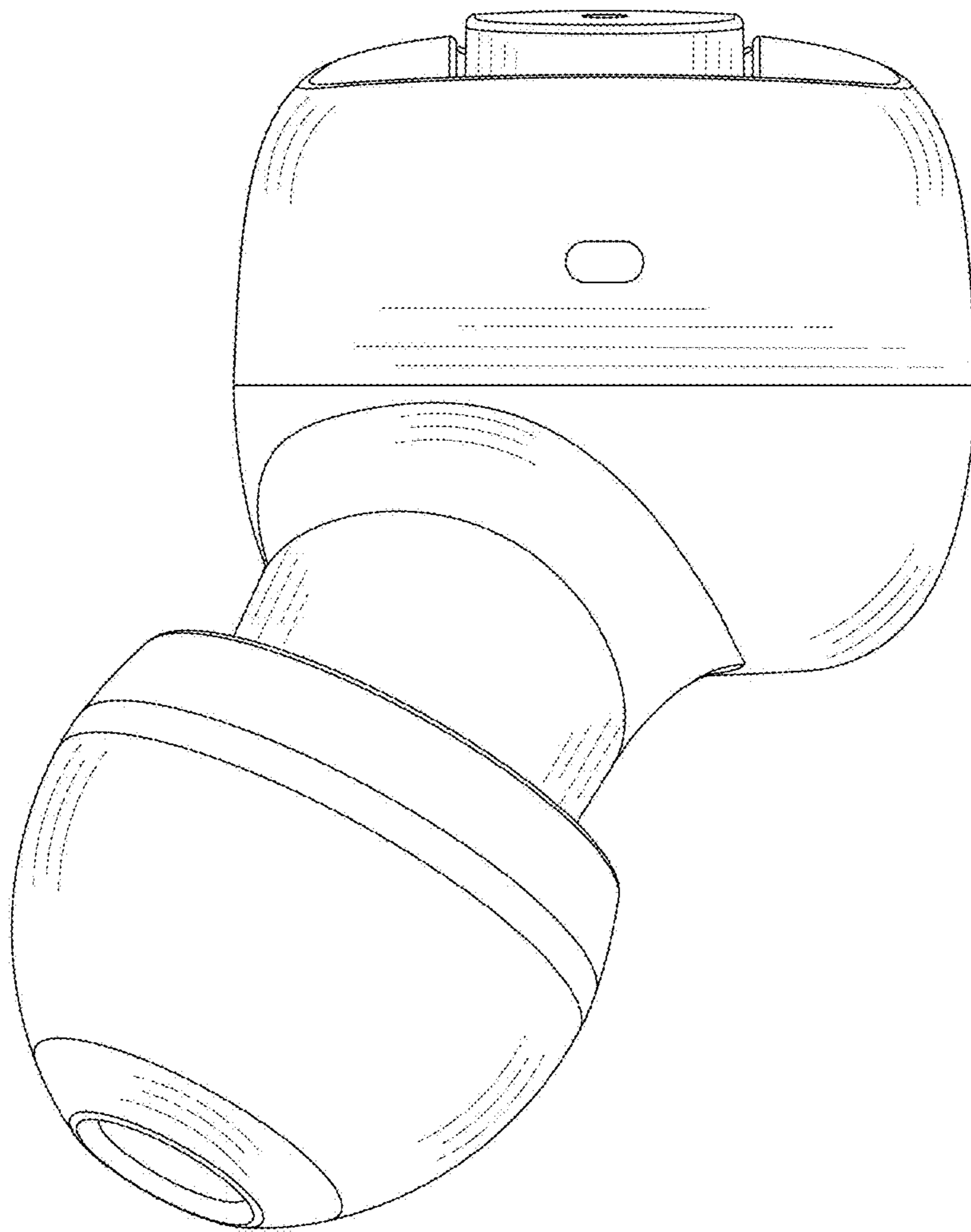


FIG.4

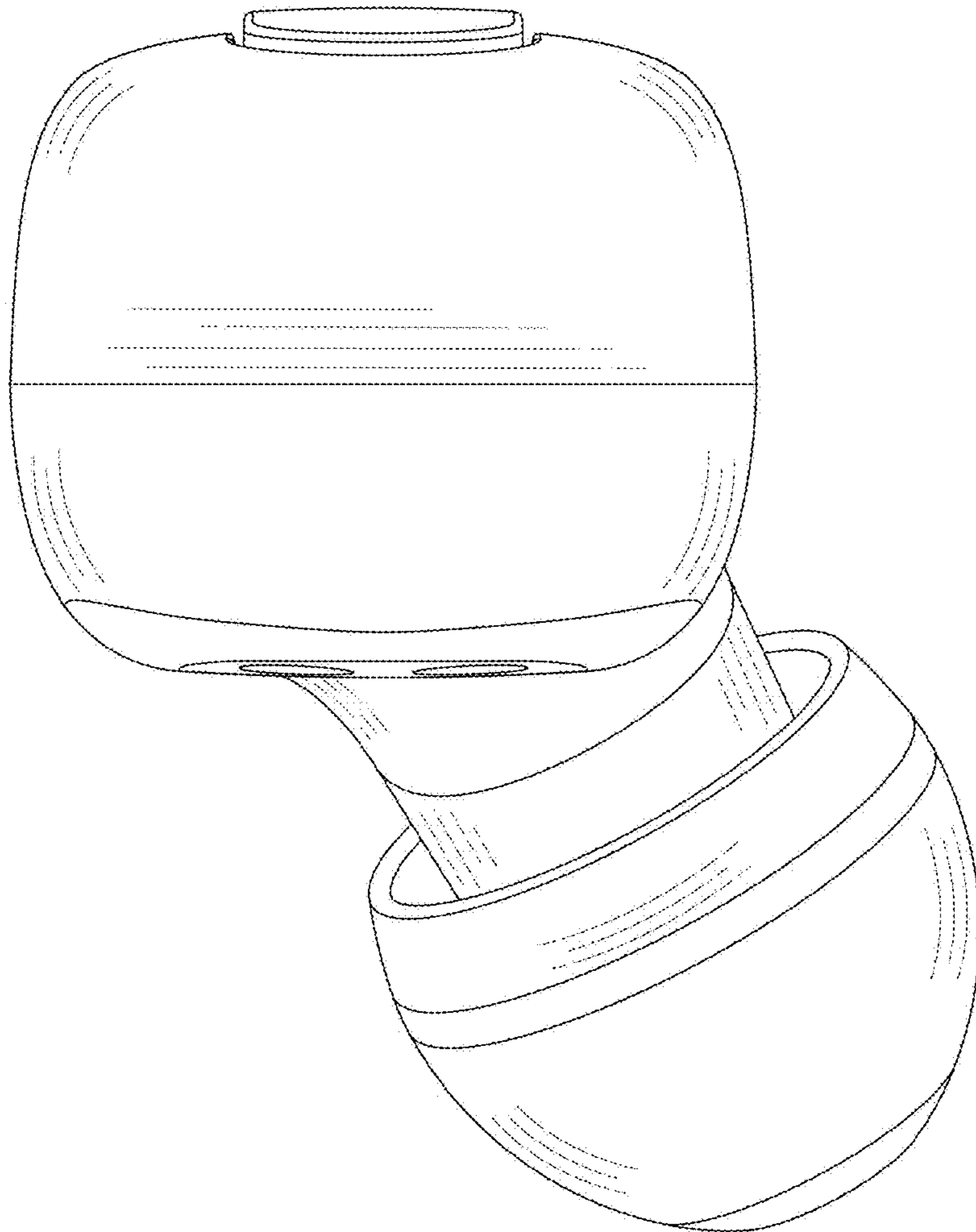


FIG. 5

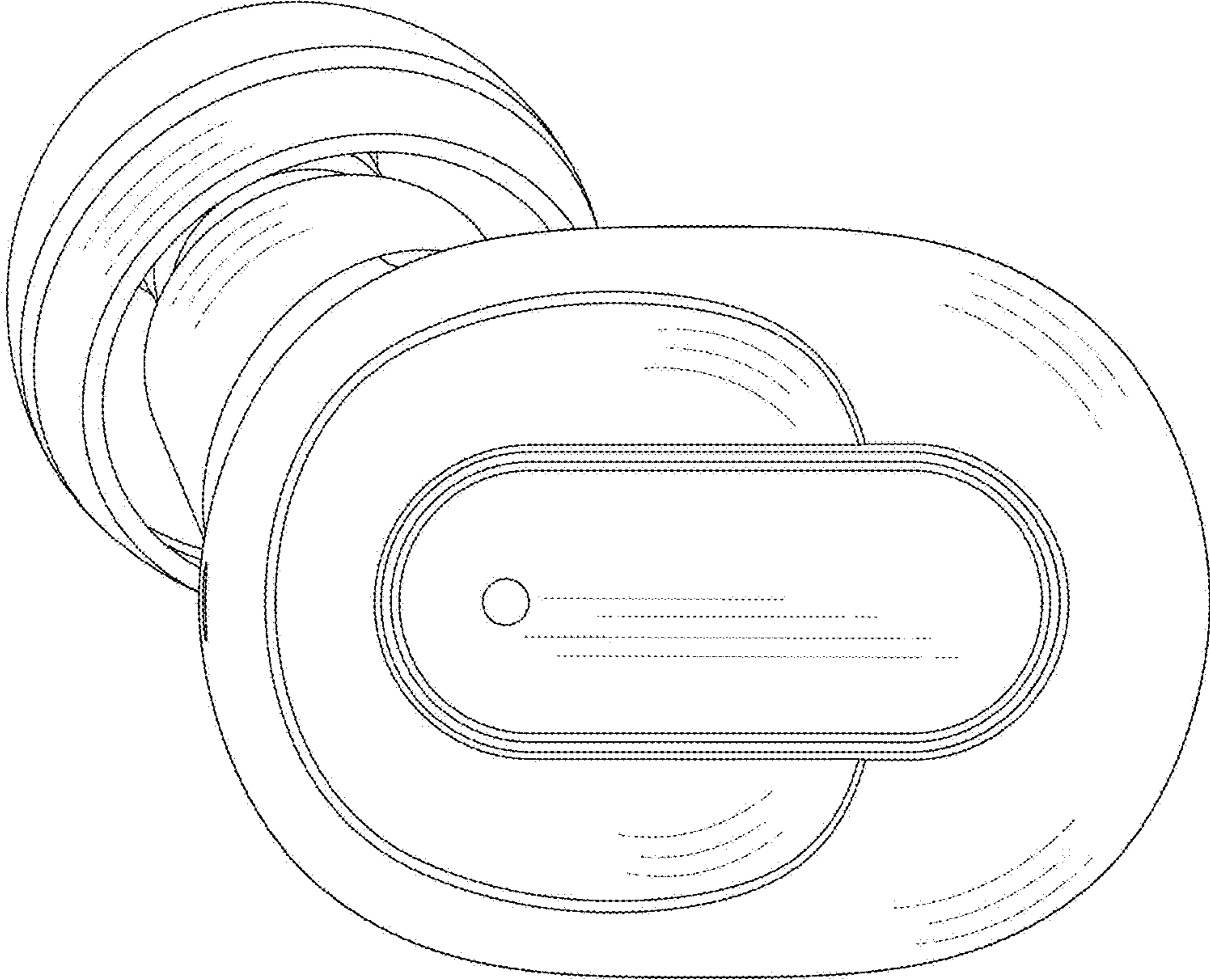


FIG.6

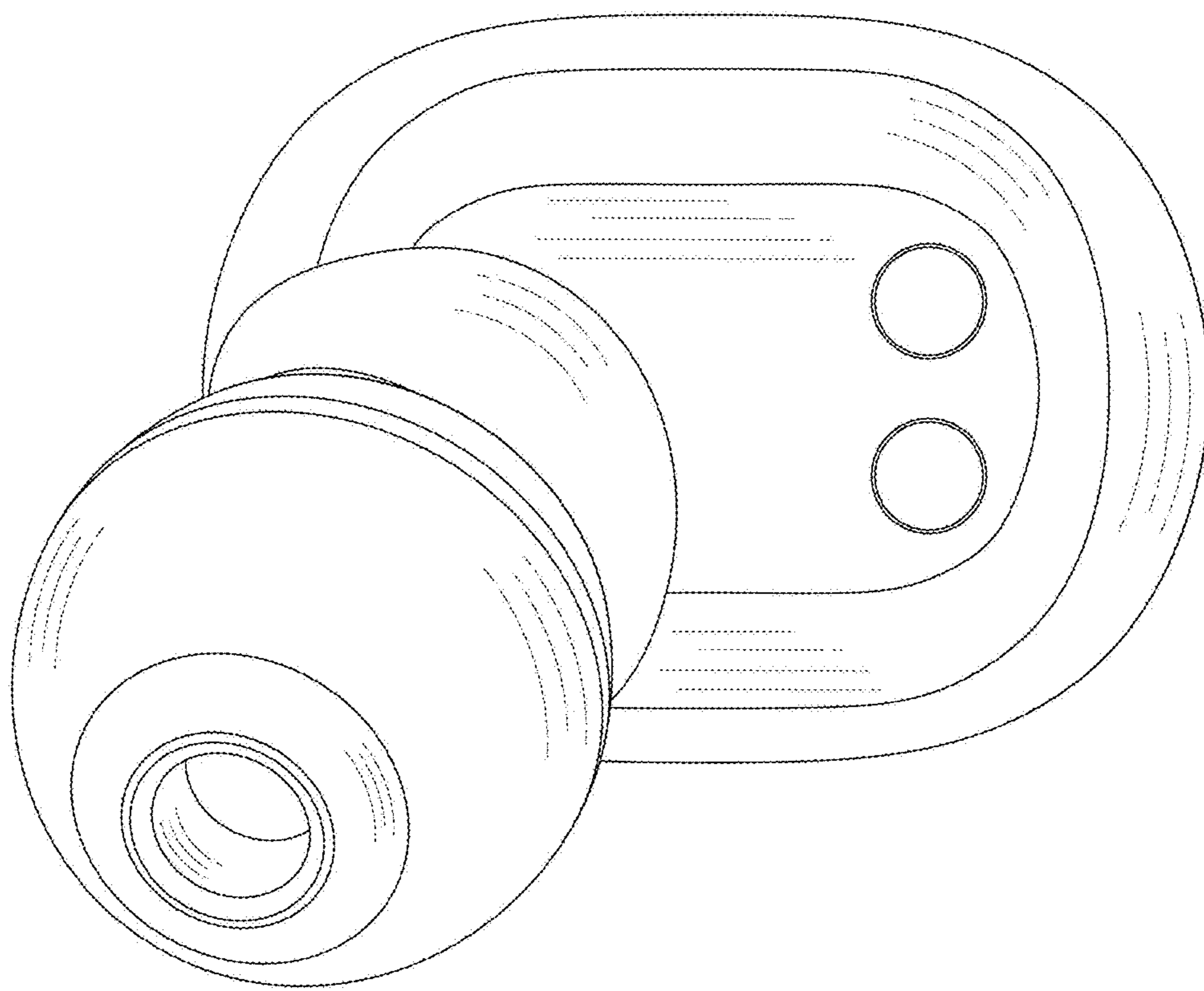


FIG.7