



US00D897994S

(12) **United States Design Patent**
Bowers

(10) **Patent No.:** **US D897,994 S**

(45) **Date of Patent:** **** Oct. 6, 2020**

(54) **REMOTE CONTROL COVER WITH TAIL**

(71) Applicant: **Brett Bowers**, Ardrossan (CA)

(72) Inventor: **Brett Bowers**, Ardrossan (CA)

(**) Term: **15 Years**

(21) Appl. No.: **29/678,173**

(22) Filed: **Jan. 25, 2019**

(51) **LOC (12) Cl.** **14-03**

(52) **U.S. Cl.**
USPC **D14/218; D3/218**

(58) **Field of Classification Search**
USPC D13/168; D3/207, 215, 218; D8/356;
D14/217, 218, 434; D19/34; D20/22,
D20/23, 24, 27; D21/456, 597, 623, 657,
D21/659, 694; D24/189; D11/5
CPC A45F 5/00; A45F 5/021; A45F 2005/008;
A45F 2003/144; A45F 2200/0516; G09F
23/00

See application file for complete search history.

(56) **References Cited**

U.S. PATENT DOCUMENTS

D22,775 S *	9/1893	Best	D19/34
1,266,296 A *	5/1918	Mark	A63H 27/10 446/224
D144,564 S *	4/1946	Heil	D19/34
D163,657 S *	6/1951	Wagner	D19/34
3,102,634 A *	9/1963	Borisof	C09J 7/10 401/52
D272,931 S *	3/1984	Burgi	D21/650
4,445,894 A *	5/1984	Kovacs	A61M 25/02 128/DIG. 26
4,489,867 A *	12/1984	Schwemberger	A44C 5/0038 224/219
D280,529 S *	9/1985	Cox	D19/141
4,646,731 A *	3/1987	Brower	A61B 17/085 602/57

D297,248 S *	8/1988	Barr	D20/22
4,976,056 A *	12/1990	Roberts	G09F 3/10 40/638
D351,060 S *	10/1994	Randazzo	D3/218
D369,606 S *	5/1996	Marks	D14/218
D374,767 S *	10/1996	Leach	D3/218
D381,023 S *	7/1997	Accardo	D10/104.1
D384,669 S *	10/1997	Collier	D14/218
D405,118 S *	2/1999	Murphy, Sr.	D20/11
D412,706 S *	8/1999	Virost	D14/217
D433,227 S *	11/2000	Evans	D2/629
D455,255 S *	4/2002	Zeigler	D3/218
D471,599 S *	3/2003	Manville	D21/493
6,559,350 B1 *	5/2003	Tetreault	A61F 13/023 602/42
6,606,768 B2 *	8/2003	Henry	A45F 5/00 24/298
D491,168 S *	6/2004	Petrick	D14/218
D505,785 S *	6/2005	Woody	D3/215

(Continued)

Primary Examiner — Selina Sikder

(74) *Attorney, Agent, or Firm* — Sander R. Gelsing

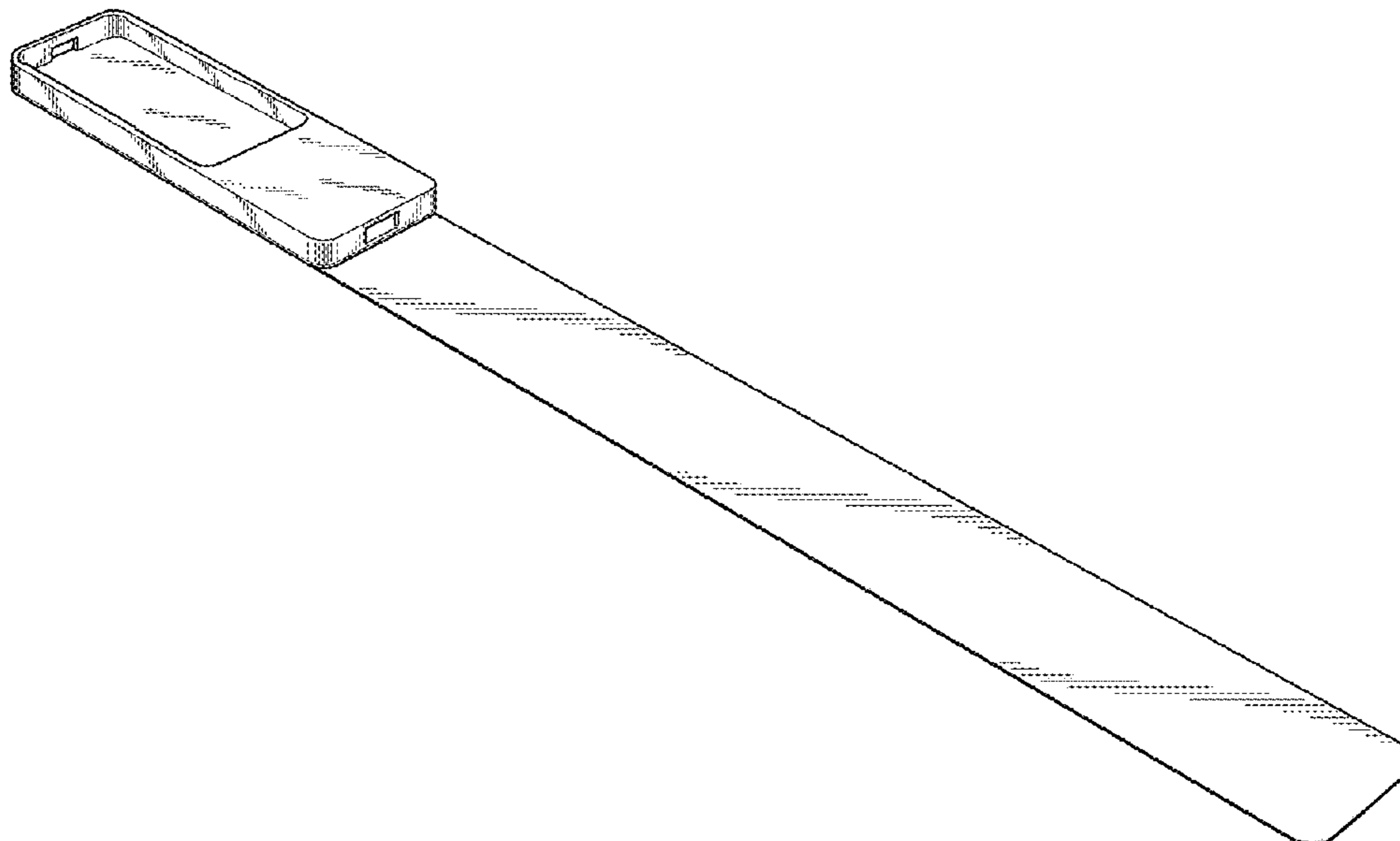
(57) **CLAIM**

The ornamental design for a remote control cover with tail, as shown and described.

DESCRIPTION

FIG. 1 is a front elevation view of the remote control cover with tail;
 FIG. 2 is a side elevation view of the remote control cover with tail;
 FIG. 3 is a rear elevation view of the remote control cover with tail;
 FIG. 4 is a top plan view of the remote control cover with tail;
 FIG. 5 is a bottom plan view of the remote control cover with tail; and,
 FIG. 6 is a perspective view of the remote control cover with tail.

1 Claim, 2 Drawing Sheets



(56)

References Cited

U.S. PATENT DOCUMENTS

D564,976	S *	3/2008	Billings	D13/168
D570,101	S *	6/2008	Harris	D3/218
D589,963	S *	4/2009	Sheba	D14/217
7,524,307	B2 *	4/2009	Davis	A61M 25/02
					128/DIG. 26
D611,611	S *	3/2010	Sachi	D24/189
D624,974	S *	10/2010	Taylor	D21/592
D647,079	S *	10/2011	Woods	D14/217
D656,544	S *	3/2012	Bensoussan	D19/34
D666,409	S *	9/2012	Andre	D3/218
D676,490	S *	2/2013	Bratter	D19/1
D677,652	S *	3/2013	Gifford	D14/217
D718,522	S *	12/2014	Larsen	D3/215
D725,708	S *	3/2015	Williams	D20/22
D743,565	S *	11/2015	Engel	D24/189
D748,911	S *	2/2016	Grech	D3/218
D762,263	S *	7/2016	Canchola	D20/27
D811,729	S *	3/2018	Bysshe	D3/218
D812,558	S *	3/2018	Park	D13/107
D839,963	S *	2/2019	Canchola	D20/22
D858,479	S *	9/2019	Saga	D14/155
D885,587	S *	5/2020	Park	D24/189
2001/0035121	A1 *	11/2001	Huling	G09F 23/00
					116/200

* cited by examiner

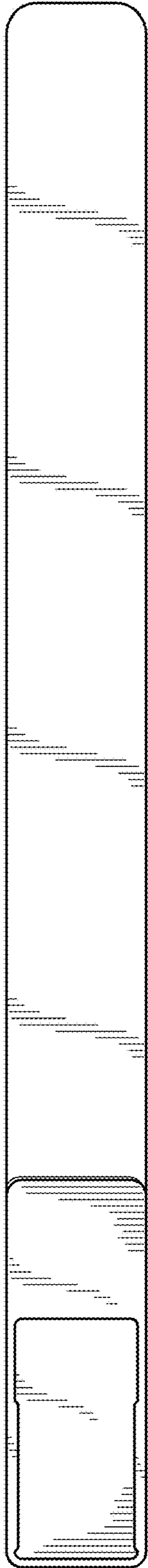


FIG. 1



FIG. 2

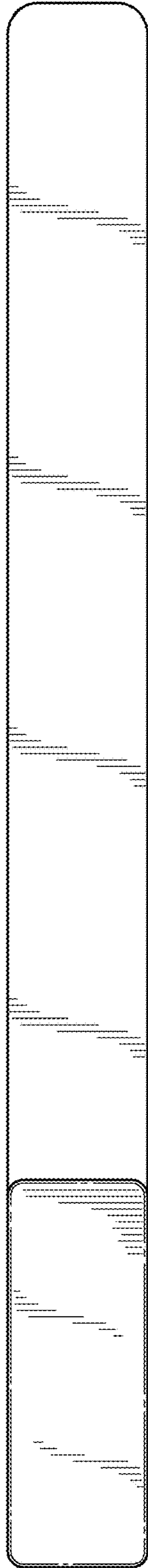


FIG. 3



FIG. 4



FIG. 5

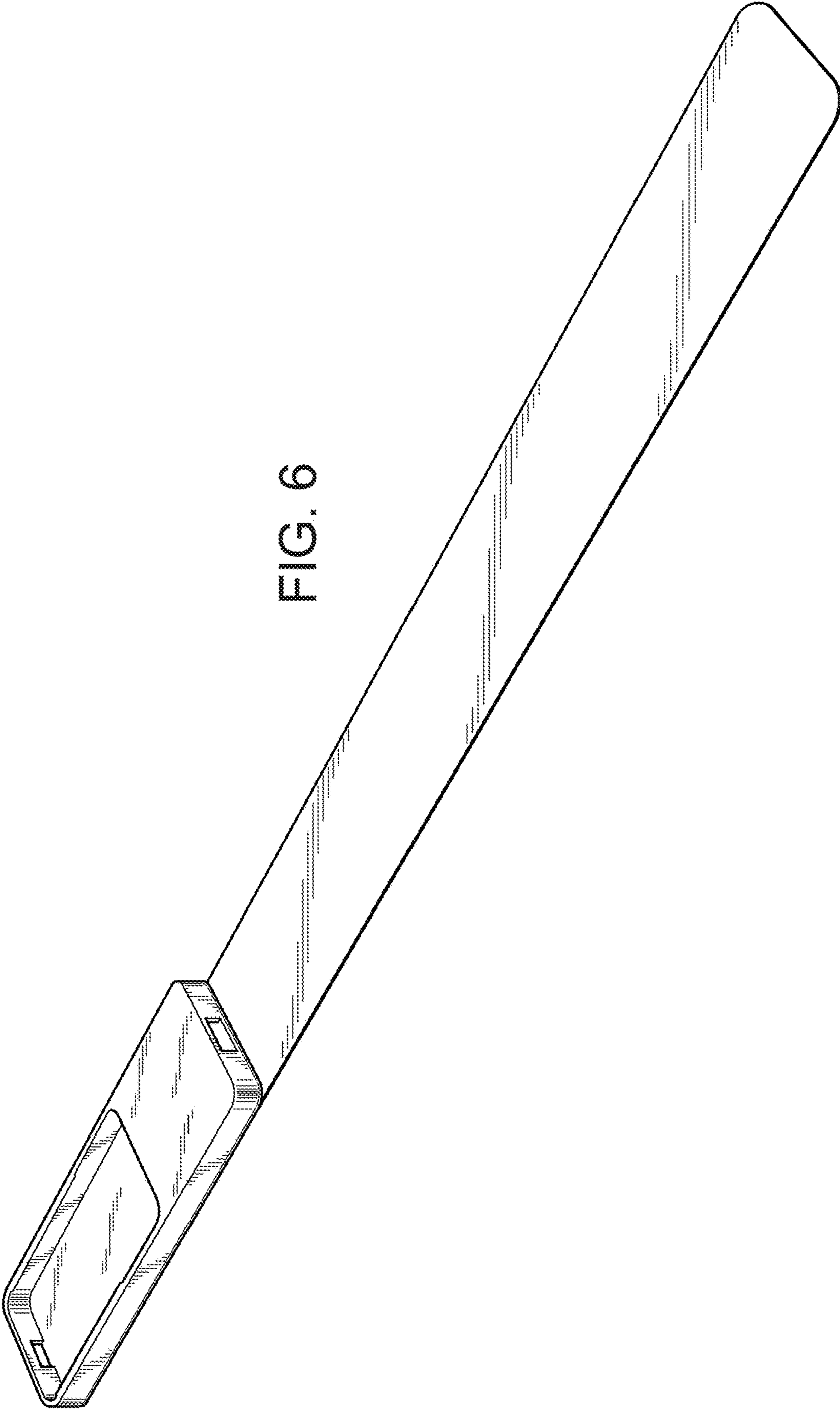


FIG. 6