



US00D897988S

(12) **United States Design Patent**
Chen

(10) **Patent No.:** **US D897,988 S**

(45) **Date of Patent:** **** Oct. 6, 2020**

- (54) **MINIATURE MICROPHONE**
- (71) Applicant: **Ching-Wen Chen**, Taipei (TW)
- (72) Inventor: **Ching-Wen Chen**, Taipei (TW)
- (**) Term: **15 Years**
- (21) Appl. No.: **29/671,488**
- (22) Filed: **Nov. 28, 2018**
- (51) **LOC (12) Cl.** **14-01**
- (52) **U.S. Cl.**
USPC **D14/206; D14/226**
- (58) **Field of Classification Search**
USPC D14/206, 226, 205, 223, 249, 229;
D13/153; 24/3.1, 3.12, 122.6; D8/395;
181/129, 130, 135, 151, 158; 379/430,
379/431, 433; 381/187, 364, 374, 375,
381/328, 385, 151, 381, 324; 455/90.3,
455/575.1, 569.1
CPC H04R 25/00; H04R 1/1033; H04R 1/1066;
H04R 1/1016; H04R 5/033; H04R
5/0335; H04R 1/08; H04R 19/04; H04R
9/08
See application file for complete search history.

(56) **References Cited**

U.S. PATENT DOCUMENTS

- 1,651,307 A * 11/1927 Wilkinson B60Q 7/00
362/195
- 2,024,943 A * 12/1935 Mix A44B 6/00
24/66.2
- 2,641,327 A * 6/1953 Balmer H04R 1/105
181/129
- D199,125 S * 9/1964 Flygstad D14/206
- 3,453,700 A * 7/1969 Teague, Jr. D06F 55/02
24/557
- 3,604,069 A * 9/1971 Jensen A44B 99/00
24/332
- 3,781,492 A * 12/1973 Cragg H04R 1/08
379/430

- 3,821,647 A * 6/1974 Minasian H03D 1/10
455/269
- 4,040,547 A * 8/1977 Dickey F16M 13/04
224/247
- 4,118,606 A * 10/1978 Larkin H04B 1/385
181/20
- 4,346,501 A * 8/1982 Saiya A44B 99/00
174/135
- D266,273 S * 9/1982 Bass D21/632
- 4,347,911 A * 9/1982 Bertagna A61B 7/02
181/130
- D309,305 S * 7/1990 von Hall D14/225
- D309,306 S * 7/1990 Weiser D14/249
- D311,521 S * 10/1990 Jonsson D14/206
- 5,103,384 A * 4/1992 Drohan F16M 11/40
362/190
- D348,067 S * 6/1994 Lucey D14/223
- 5,325,570 A * 7/1994 Chin-Ho D06F 55/00
24/511

(Continued)

FOREIGN PATENT DOCUMENTS

EM 006611208-0001 * 7/2019

Primary Examiner — Paula Allen Greene

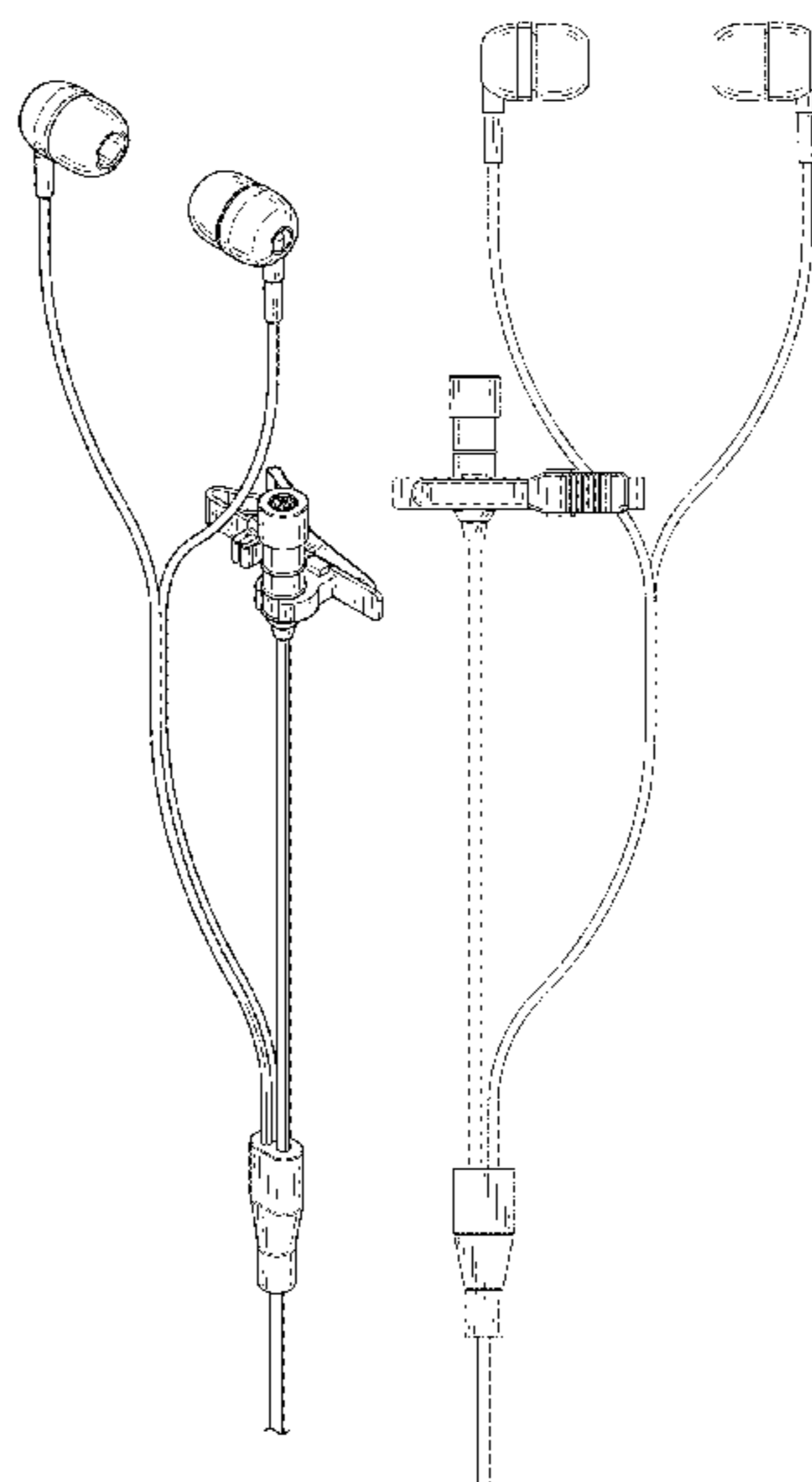
(57) **CLAIM**

The ornamental design for a miniature microphone, as shown and described.

DESCRIPTION

FIG. 1 is a top perspective view of a miniature microphone showing my new design;
 FIG. 2 is a front view thereof;
 FIG. 3 is a rear view thereof;
 FIG. 4 is a left elevational side view thereof;
 FIG. 5 is a right elevational side view thereof;
 FIG. 6 is a top elevational view thereof; and,
 FIG. 7 is a bottom elevational view thereof.
 The bottom part of the cable is shown broken away in the Figures for ease of illustration.

1 Claim, 6 Drawing Sheets



(56)

References Cited

U.S. PATENT DOCUMENTS

D371,133 S * 6/1996 Andrea D14/206
 D379,990 S * 6/1997 Bungardt D14/228
 5,666,702 A * 9/1997 Ming-Chieh B42F 1/006
 24/338
 5,761,298 A * 6/1998 Davis H04M 1/05
 379/430
 D396,715 S * 8/1998 Konomi D14/142
 D407,089 S * 3/1999 Norin D14/206
 D421,755 S * 3/2000 Pitel D14/223
 D431,030 S * 9/2000 Yoon D14/142
 6,333,984 B1 * 12/2001 Yang H04R 1/083
 381/364
 D462,946 S * 9/2002 Beraut D14/228
 D464,944 S * 10/2002 Lee D14/206
 6,631,279 B2 * 10/2003 Rivera H04B 1/3838
 379/430
 7,139,590 B2 * 11/2006 Liu H04M 1/6058
 455/557
 D565,557 S * 4/2008 Kaneda D14/206
 D575,768 S * 8/2008 Wang D14/206
 7,447,529 B2 * 11/2008 Gunter H04R 1/083
 379/430
 D593,548 S * 6/2009 von Meiss D14/206
 D620,482 S * 7/2010 Chen D14/225
 7,778,435 B2 * 8/2010 Smith H04R 1/10
 181/135
 D636,756 S * 4/2011 Fahrendorff D14/205

D659,673 S * 5/2012 Fahrendorff D14/205
 D662,079 S * 6/2012 Fahrendorff D14/205
 8,290,193 B2 * 10/2012 Pang H04R 1/1033
 381/370
 8,331,593 B2 * 12/2012 Slemming H04R 25/656
 381/318
 D682,808 S * 5/2013 Fletcher D14/205
 D682,809 S * 5/2013 Fletcher D14/205
 8,457,343 B2 * 6/2013 Zhu H04R 1/1091
 381/380
 D685,343 S * 7/2013 Fletcher D14/205
 D712,874 S * 9/2014 Gauger, Jr. D14/206
 D719,553 S * 12/2014 Noto D14/226
 D739,377 S * 9/2015 Yeom D14/205
 D742,354 S * 11/2015 McNamara D14/205
 D776,637 S * 1/2017 Chen D14/206
 D777,139 S * 1/2017 Fletcher D14/205
 D823,280 S * 7/2018 Guilfoyle D14/206
 D841,619 S * 2/2019 Klein D14/206
 D842,839 S * 3/2019 Klein D14/206
 D884,684 S * 5/2020 Chen D14/226
 2007/0104333 A1 * 5/2007 Kuo H04R 1/1025
 381/74
 2010/0083470 A1 * 4/2010 Murata H04R 1/08
 24/3.12
 2010/0104126 A1 * 4/2010 Greene H01B 7/225
 381/384
 2016/0142808 A1 * 5/2016 Monahan H04R 1/105
 381/384
 2017/0295419 A1 * 10/2017 Poulsen H04R 5/04
 * cited by examiner

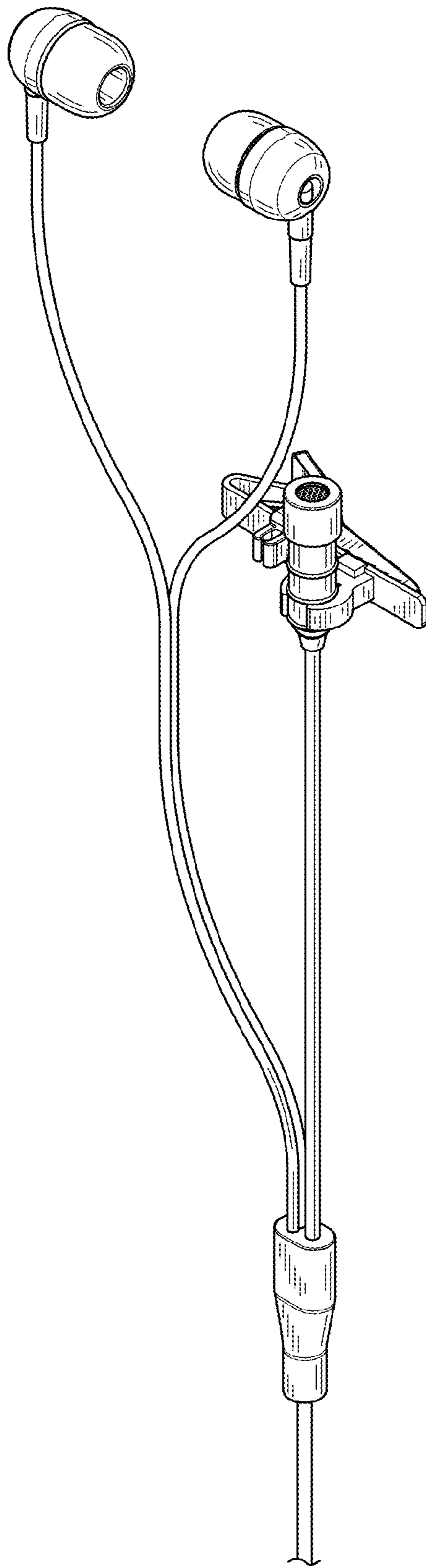


Fig. 1

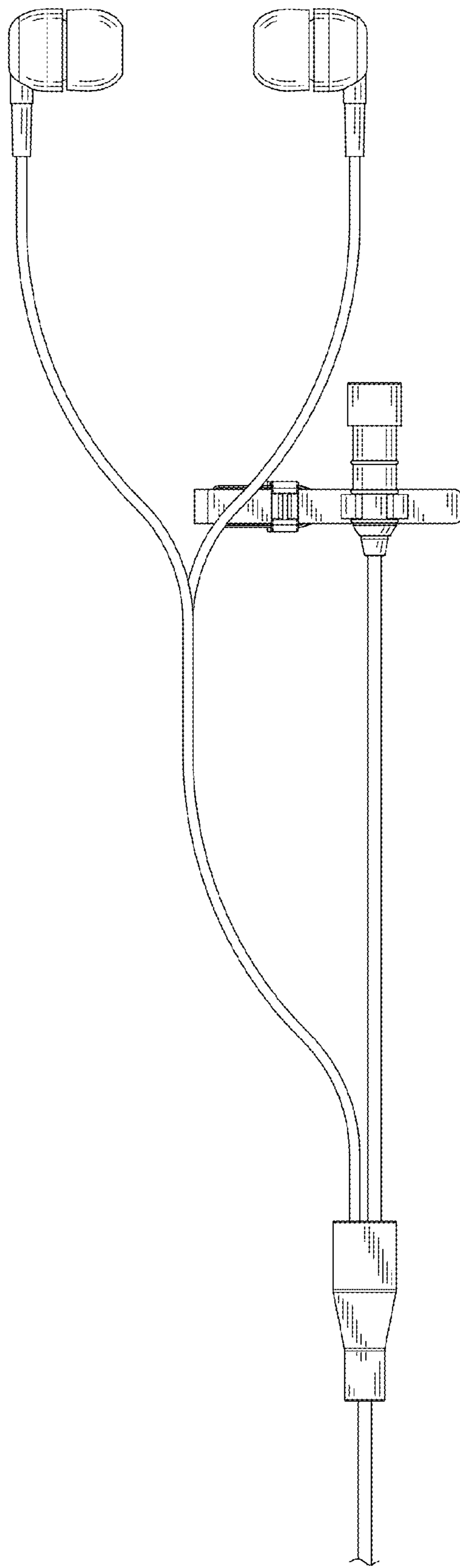


Fig. 2

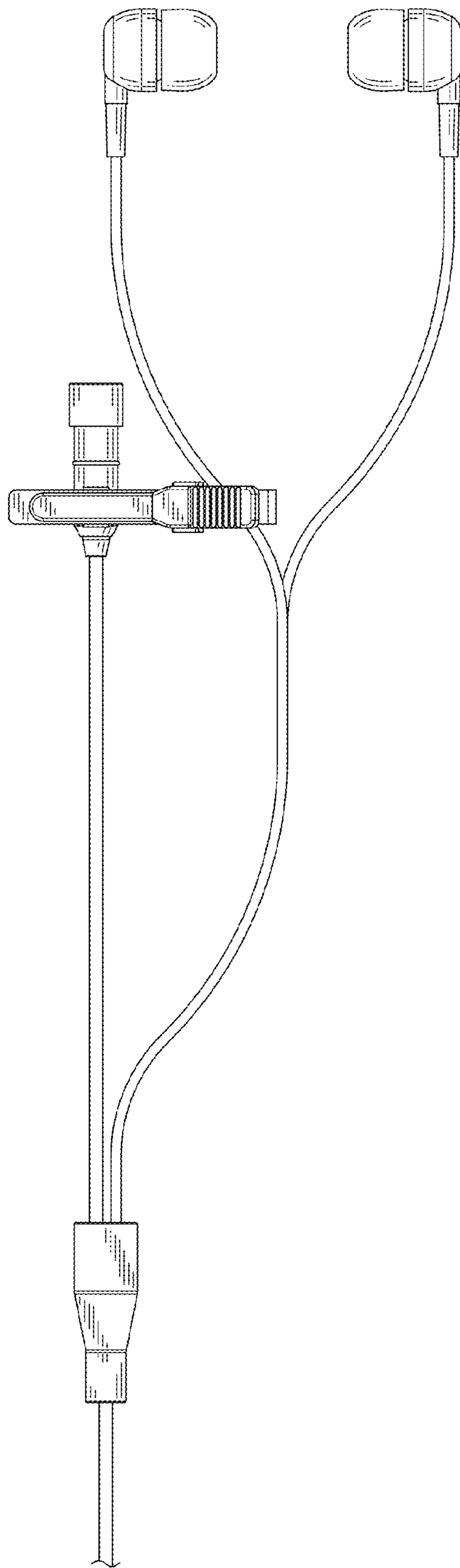


Fig. 3

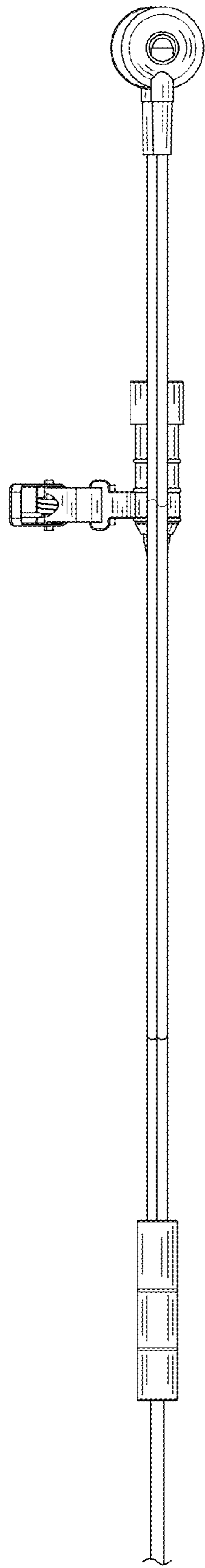


Fig. 4

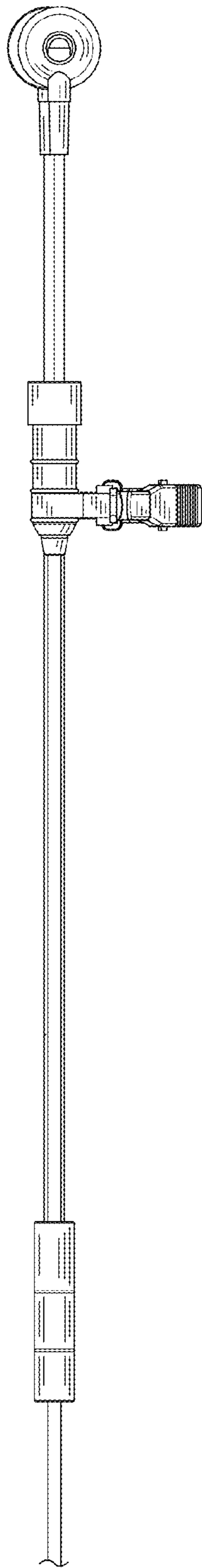


Fig. 5

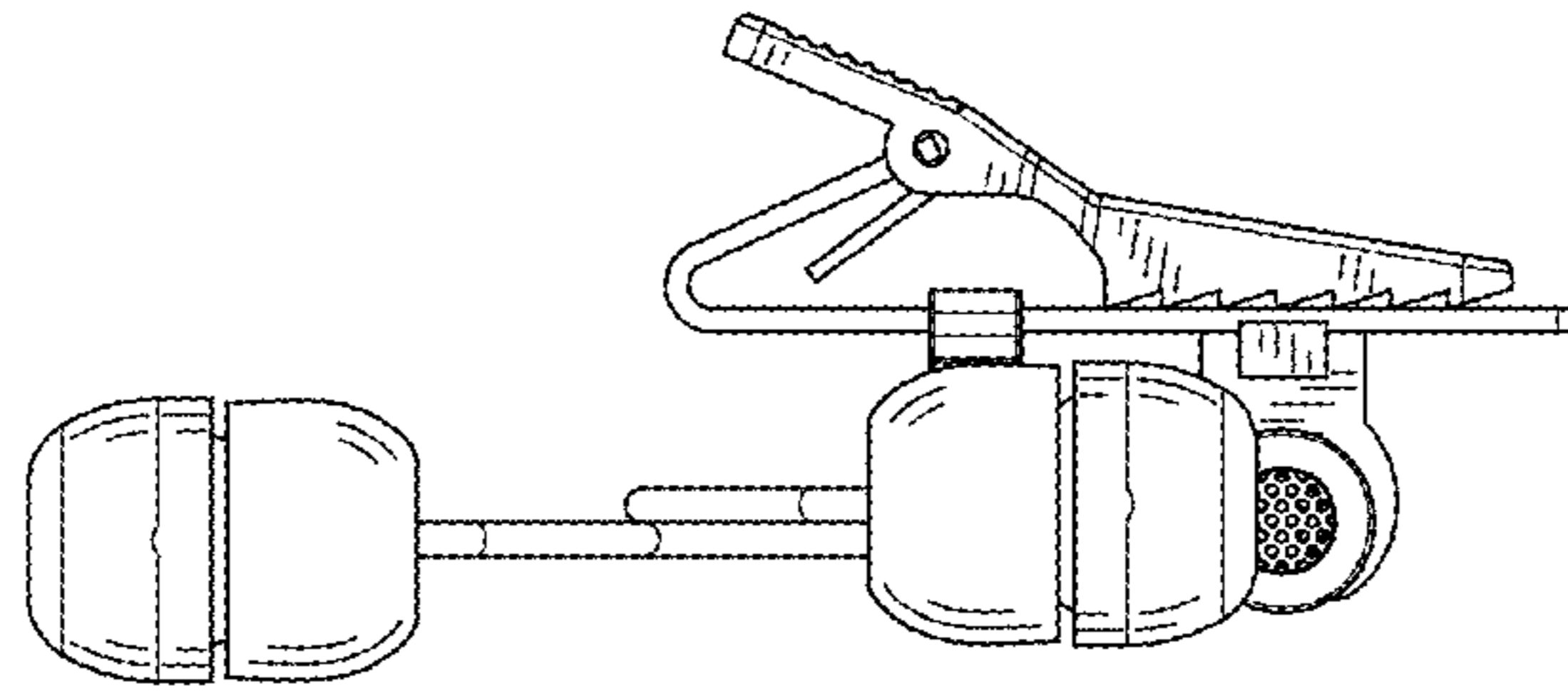


Fig. 6

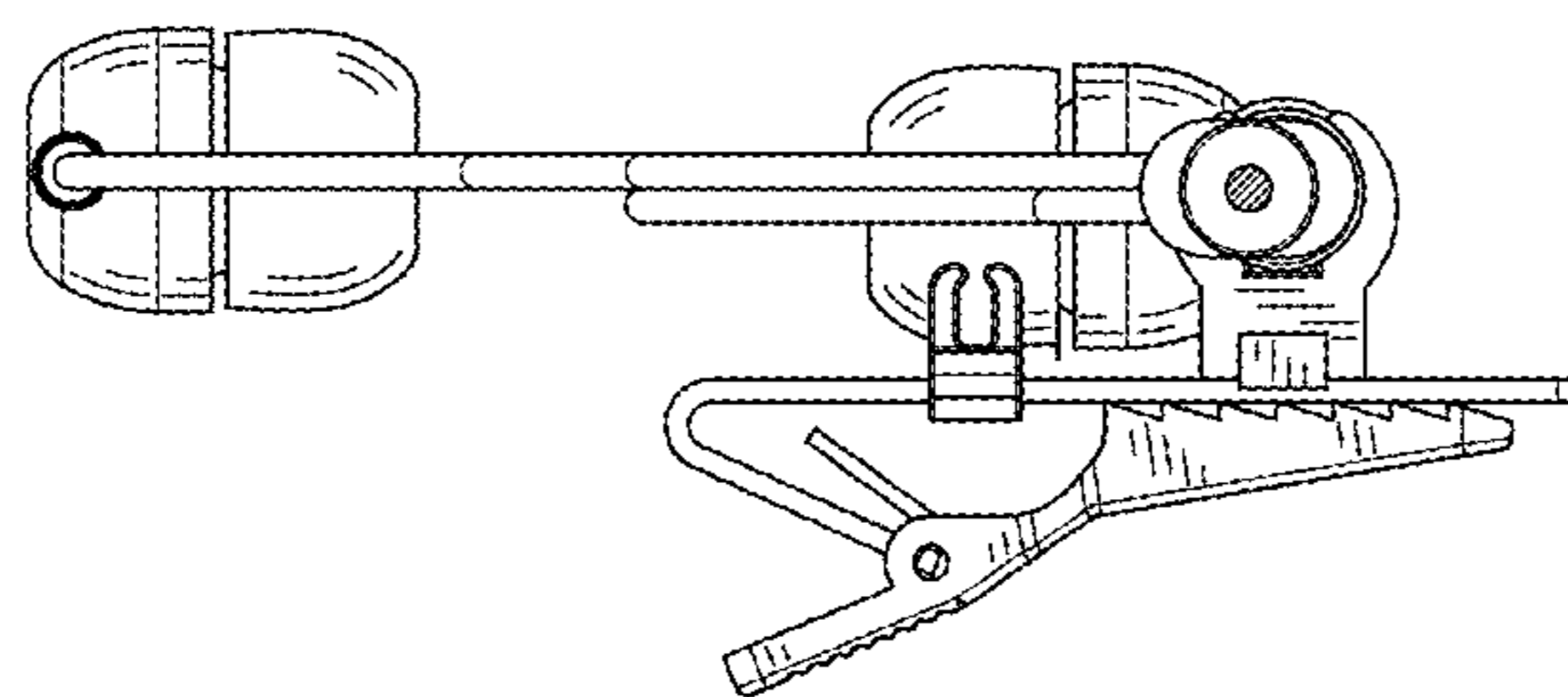


Fig. 7