

US00D897987S

(12) **United States Design Patent**
Park et al.

(10) **Patent No.:** **US D897,987 S**

(45) **Date of Patent:** **** Oct. 6, 2020**

(54) **CORD WINDER FOR WIRELESS HEADSET**

B65H 2701/3919; B65H 75/368; B65H
75/38; B65H 75/4402; B65H 75/28;
B65H 75/40; B65H

(71) Applicant: **LG ELECTRONICS INC.**, Seoul
(KR)

(Continued)

(72) Inventors: **Chanwoo Park**, Seoul (KR); **Dongsoo Kim**, Seoul (KR)

(56)

References Cited

U.S. PATENT DOCUMENTS

(73) Assignee: **LG ELECTRONICS INC.**, Seoul
(KR)

3,123,351 A * 3/1964 Graber A47H 3/08
267/71

3,253,083 A * 5/1966 Timbers H01R 35/02
174/69

(**) Term: **15 Years**

(Continued)

(21) Appl. No.: **35/506,251**

Primary Examiner — Nathaniel D. Buckner

(22) Filed: **Jun. 26, 2018**

(74) *Attorney, Agent, or Firm* — Birch, Stewart, Kolasch
& Birch, LLP

(80) **Hague Agreement Data**

Int. Filing Date: **Jun. 26, 2018**

Int. Reg. No.: **DM/102991**

Int. Reg. Date: **Jun. 26, 2018**

Int. Reg. Pub. Date: **Dec. 28, 2018**

(57)

CLAIM

The ornamental design for a cord winder for wireless headset, as shown and described.

(30) **Foreign Application Priority Data**

Dec. 27, 2017 (KR) 30-2017-0061810

(51) **LOC (12) Cl.** **14-01**

(52) **U.S. Cl.**
USPC **D14/205; D8/360**

(58) **Field of Classification Search**

USPC D14/205, 206, 223, 207, 372; D6/672,
D6/580; D16/208; D24/127, 186, 187

CPC .. H04R 1/1016; H04R 1/1041; H04R 1/1033;
H04R 1/105; H04R 1/08; H04R 1/1025;
H04R 1/1066; H04R 1/1091; H04R
1/086; H04R 1/1008; H04R 1/1058;
H04R 1/1075; H04R 2420/07; H04R
5/0335; H04R 5/033; H04R 5/027; H04R
5/04; H04R 2201/107; H04R 2201/103;
H04R 2201/105; H04R 2201/109; H04R
2460/13; H04R 2460/17; H04R 3/00;
H04R 3/04; H04R 2400/03; H04R
2400/07; B65H 2701/34; B65H 2701/32;

DESCRIPTION

1. Cord winder for wireless headset

1.1 is a front perspective view of a cord winder for a wireless headset showing our new design;

1.2 is a front view thereof;

1.3 is a back view thereof;

1.4 is a left view thereof;

1.5 is a right view thereof;

1.6 is a top view thereof;

1.7 is a bottom view thereof;

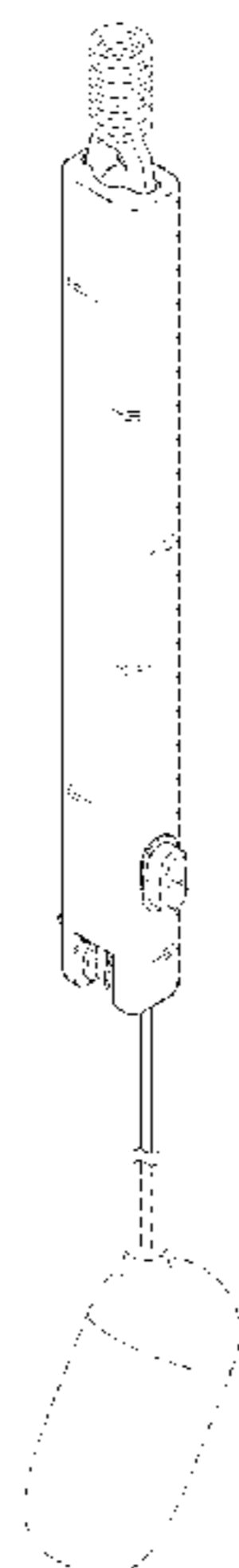
1.8 is an exploded view thereof;

1.9 is a reference view thereof, shown in an environment of use; and

1.10 is a reference view thereof, shown in a second environment of use

The broken lines depict portions of the cord winder for wireless headset and environmental structure that form no part of the claimed design.

(Continued)



The wavy symbols depict a symbolic break in length. The appearance of any portion of the article beyond the break line forms no part of the claimed design.

1 Claim, 10 Drawing Sheets

(58) Field of Classification Search

CPC 75/4418; B65H 75/4434; B65H 75/4449;
B65H 75/4471; B65H 54/2896; B65H
57/20; H02G 11/02

See application file for complete search history.

(56) References Cited

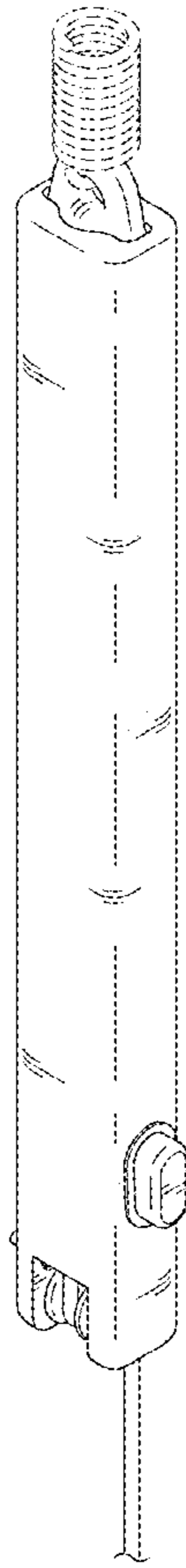
U.S. PATENT DOCUMENTS

D241,731 S * 10/1976 Snyder, Jr. D12/317
D252,667 S * 8/1979 Muttart D8/360
D257,423 S * 10/1980 Tiedemann D8/358
5,421,530 A * 6/1995 Bertagna B65H 75/368
242/388.91
5,553,653 A * 9/1996 Rozon E06B 9/326
160/173 R
5,951,444 A * 9/1999 Webber A63B 21/0628
254/399

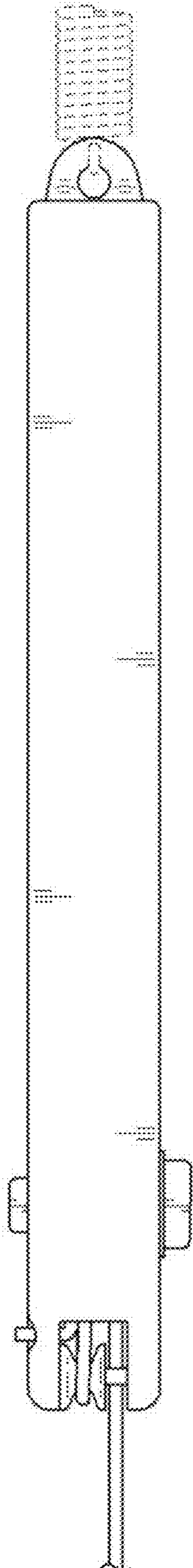
6,854,575 B1 * 2/2005 Desormeaux B60R 13/105
191/12.4
D678,040 S * 3/2013 Shikama D8/360
D791,741 S * 7/2017 Chen D14/205
D800,089 S * 10/2017 Park D14/205
D823,828 S * 7/2018 Park D14/205
D830,996 S * 10/2018 Park D14/205
D830,998 S * 10/2018 Kim D14/205
D832,086 S * 10/2018 Son D8/358
D845,112 S * 4/2019 Parenteau D8/360
D855,582 S * 8/2019 Shin D14/205
2002/0023814 A1 * 2/2002 Poutiatine H02G 11/02
191/12.2 R
2012/0175452 A1 * 7/2012 Feldstein B65H 75/368
242/381
2013/0068870 A1 * 3/2013 Feldstein B65H 75/30
242/381
2014/0151487 A1 * 6/2014 Soper B65H 75/368
242/381.1
2014/0198442 A1 * 7/2014 Rekuc A45C 13/26
361/679.09
2014/0262665 A1 * 9/2014 Giles H02G 11/02
191/12.4
2016/0205797 A1 * 7/2016 Mangione H05K 5/0217
174/535
2017/0265865 A1 * 9/2017 Burbank A61B 17/07207

* cited by examiner

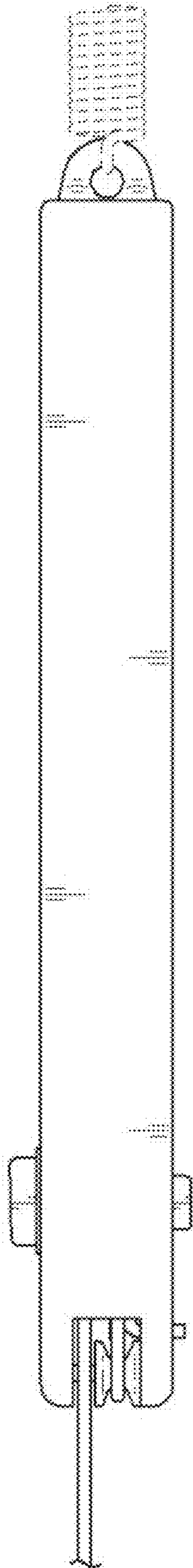
1.1



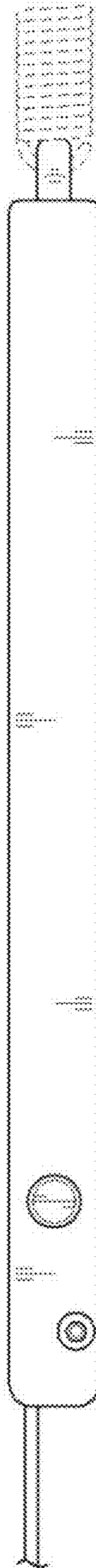
1.2



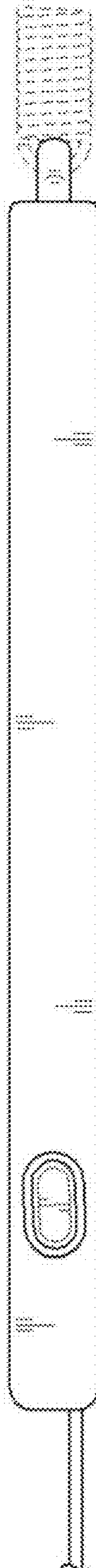
1.3



1.4



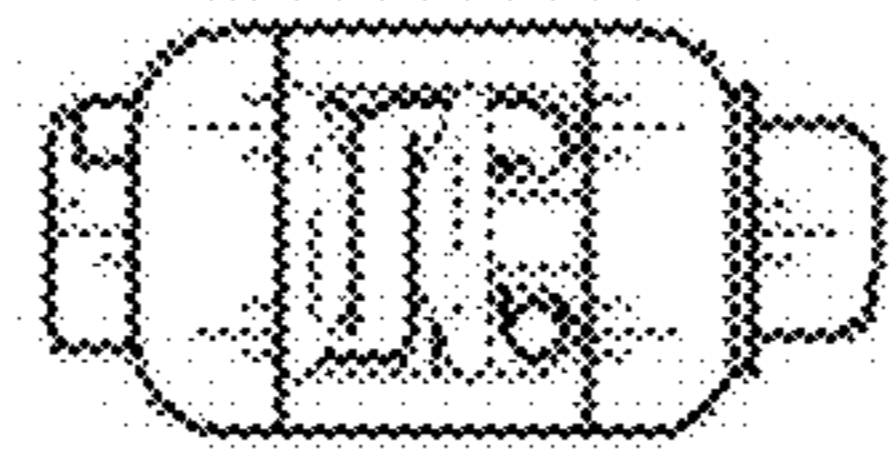
1.5



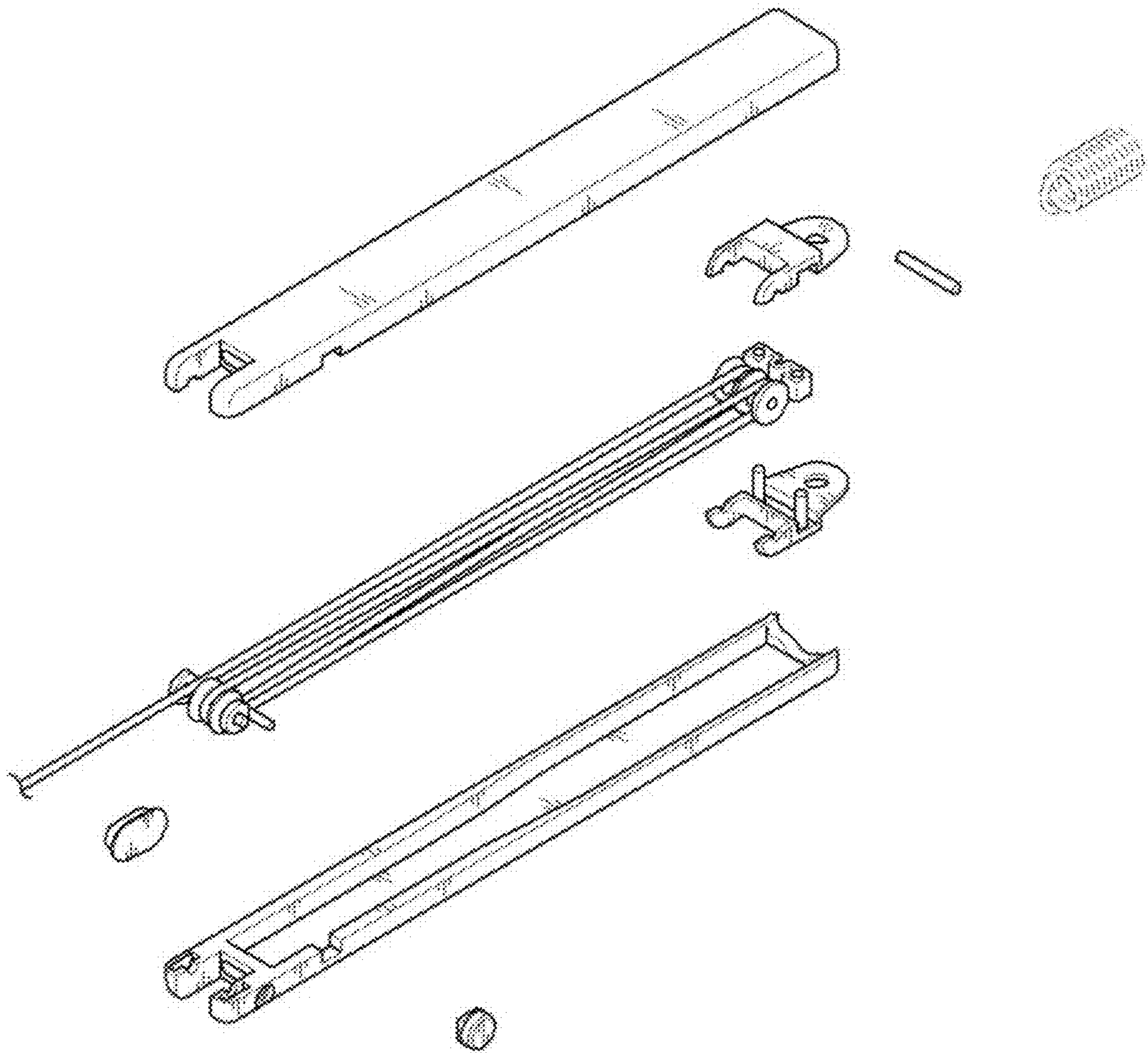
1.6



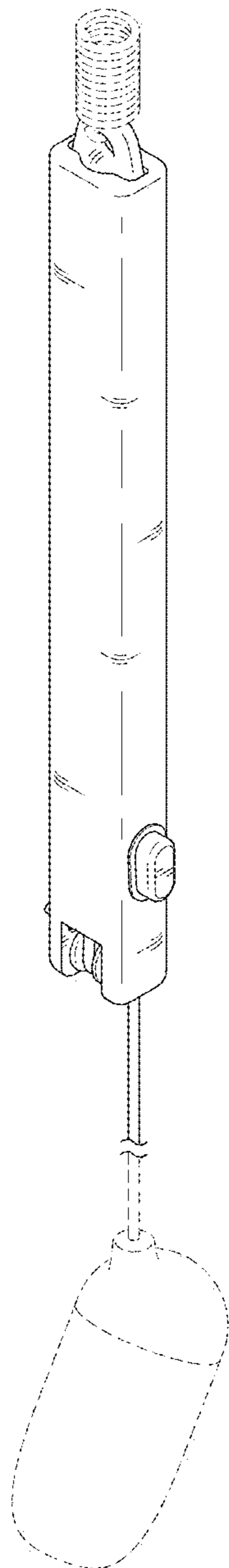
1.7



1.8



1. 9



1.10

