



US00D897986S

(12) **United States Design Patent**
White

(10) **Patent No.:** **US D897,986 S**
(45) **Date of Patent:** **** Oct. 6, 2020**

- (54) **DUAL FIDELITY HEADPHONE**
- (71) Applicant: **Benjamin L White**, Rahway, NJ (US)
- (72) Inventor: **Benjamin L White**, Rahway, NJ (US)
- (**) Term: **15 Years**
- (21) Appl. No.: **29/738,532**
- (22) Filed: **Jun. 18, 2020**
- (51) **LOC (12) Cl.** **14-01**
- (52) **U.S. Cl.**
USPC **D14/205**
- (58) **Field of Classification Search**
USPC D14/205, 206, 188, 192; 379/430;
381/381, 378, 370, 151, 188, 326;
455/90.3, 575.1, 569.1; D29/112; 2/209
CPC H04R 25/00; H04R 1/1016; H04R 1/1066;
H04R 5/033; H04R 5/0335
See application file for complete search history.

- D426,880 S * 6/2000 Leight D14/223
- D445,240 S * 7/2001 Persson D2/866
- D458,245 S * 6/2002 Masuda D14/192
- D504,883 S * 5/2005 Jacobson D14/192
- D512,981 S * 12/2005 Jacobson D14/205
- D550,202 S * 9/2007 Meier D14/206
- D605,629 S * 12/2009 Suwalski D14/206
- D616,419 S * 5/2010 Suwalski D14/206
- D617,308 S * 6/2010 Nousiainen D14/205
- D628,555 S * 12/2010 Ponzio D14/205
- D634,732 S * 3/2011 Kondo D14/205
- D664,115 S * 7/2012 Allard D14/205
- D669,881 S * 10/2012 Clements D14/205
- 8,447,051 B2 * 5/2013 Emilsson H04R 5/033
381/151
- D690,681 S * 10/2013 Ito D14/205
- D691,105 S * 10/2013 Ito D14/205
- D693,791 S * 11/2013 Troy D14/205
- D707,199 S * 6/2014 Cephress H04R 1/10
D14/205

(Continued)

FOREIGN PATENT DOCUMENTS

KR 300899557.0000 * 3/2017

Primary Examiner — Paula Allen Greene

(56) **References Cited**

U.S. PATENT DOCUMENTS

- 4,542,803 A * 9/1985 Houng H04R 1/1058
181/129
- 4,791,673 A * 12/1988 Schreiber H04R 1/1075
381/151
- D318,669 S * 7/1991 Nakayama D14/205
- 5,068,923 A * 12/1991 Sjoqvist A61F 11/14
181/129
- 5,117,464 A * 5/1992 Jones H04R 1/10
181/129
- 5,323,468 A * 6/1994 Bottesch A61F 11/04
381/151
- D375,825 S * 11/1996 Whidden D2/866
- D404,035 S * 1/1999 Delazzer D14/205
- D405,537 S * 2/1999 Taylor D24/215
- D421,014 S * 2/2000 Smith D14/205
- D424,568 S * 5/2000 Gerdom D14/222
- D425,511 S * 5/2000 Gerdom D14/222

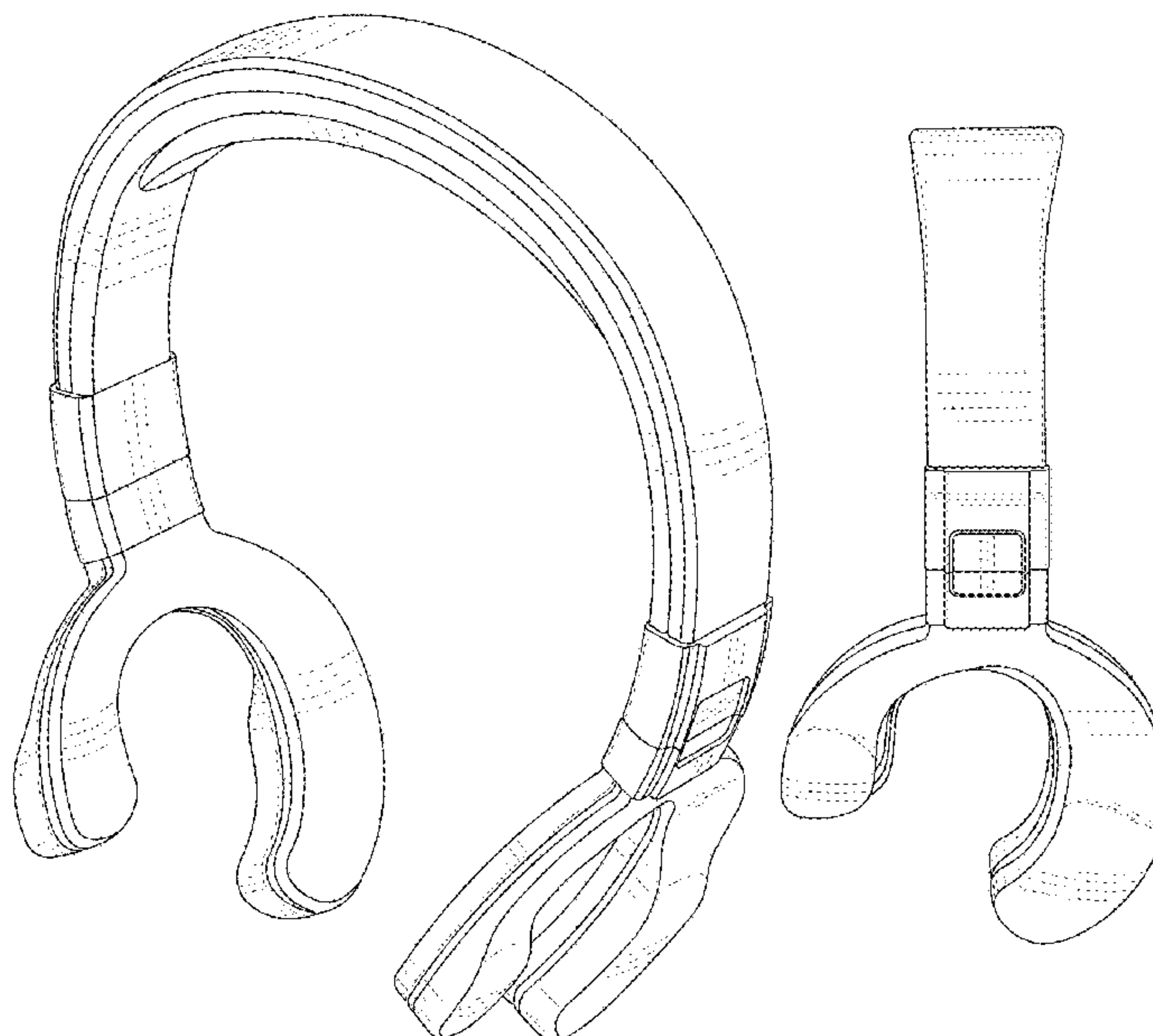
(57) **CLAIM**

The ornamental design for dual fidelity headphone, as shown and described.

DESCRIPTION

FIG. 1 is an isometric view of the dual fidelity headphone; showing my new design;
FIG. 2 is a front view thereof;
FIG. 3 is a back view thereof;
FIG. 4 is a right-side view thereof;
FIG. 5 is a left-side view thereof;
FIG. 6 is a isometric top view thereof; and,
FIG. 7 is a bottom view thereof.

1 Claim, 7 Drawing Sheets



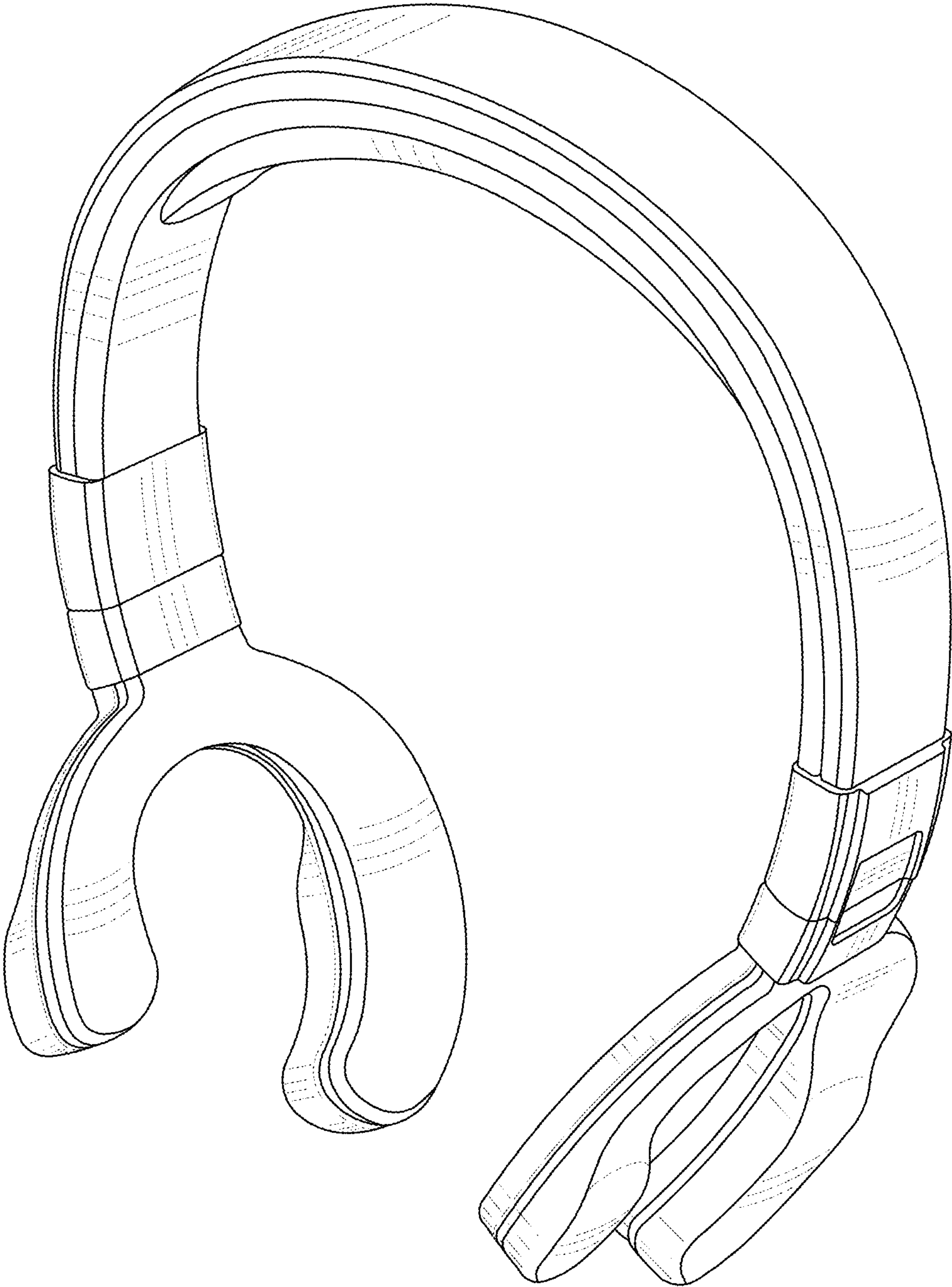


FIG. 1



FIG. 2



FIG. 3

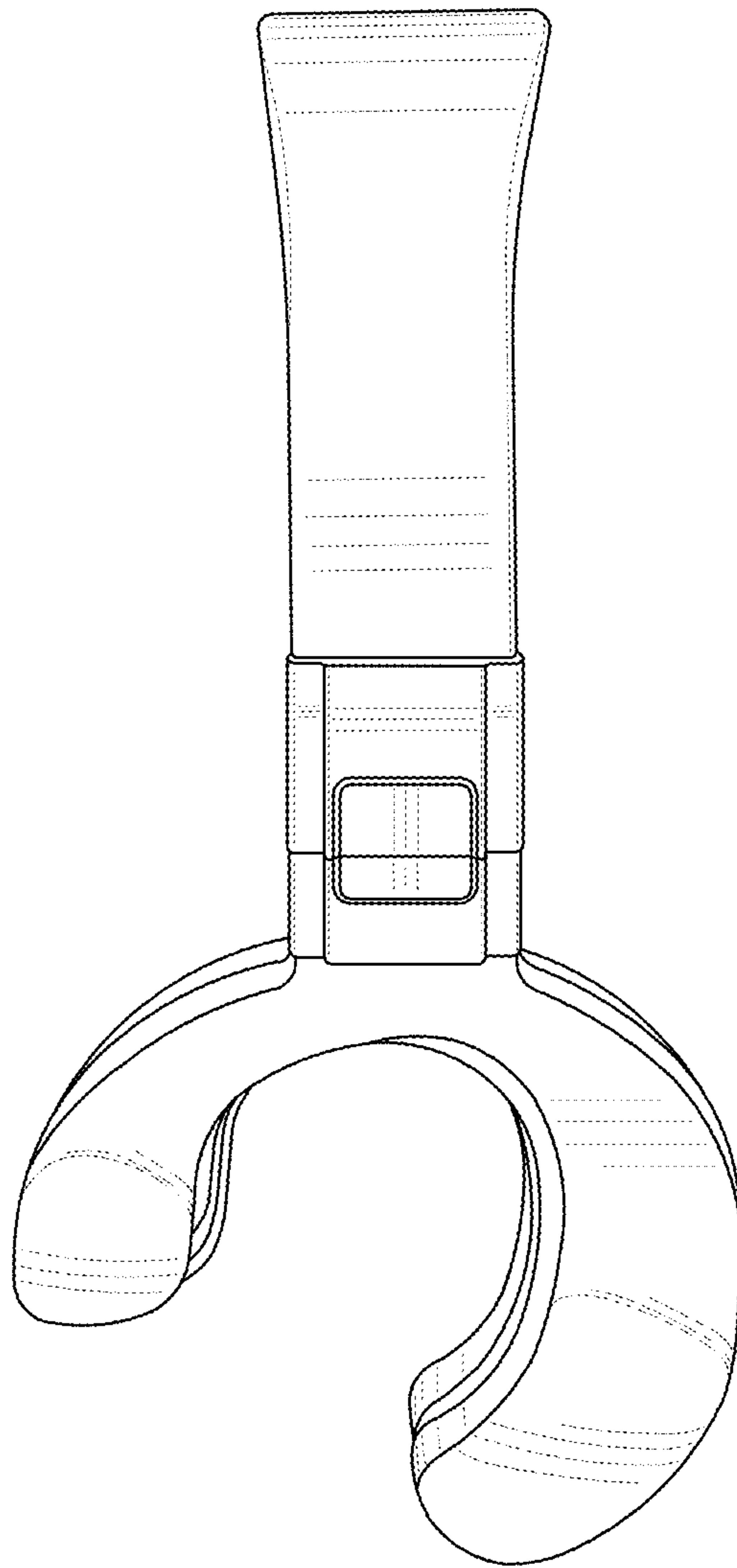


FIG. 4

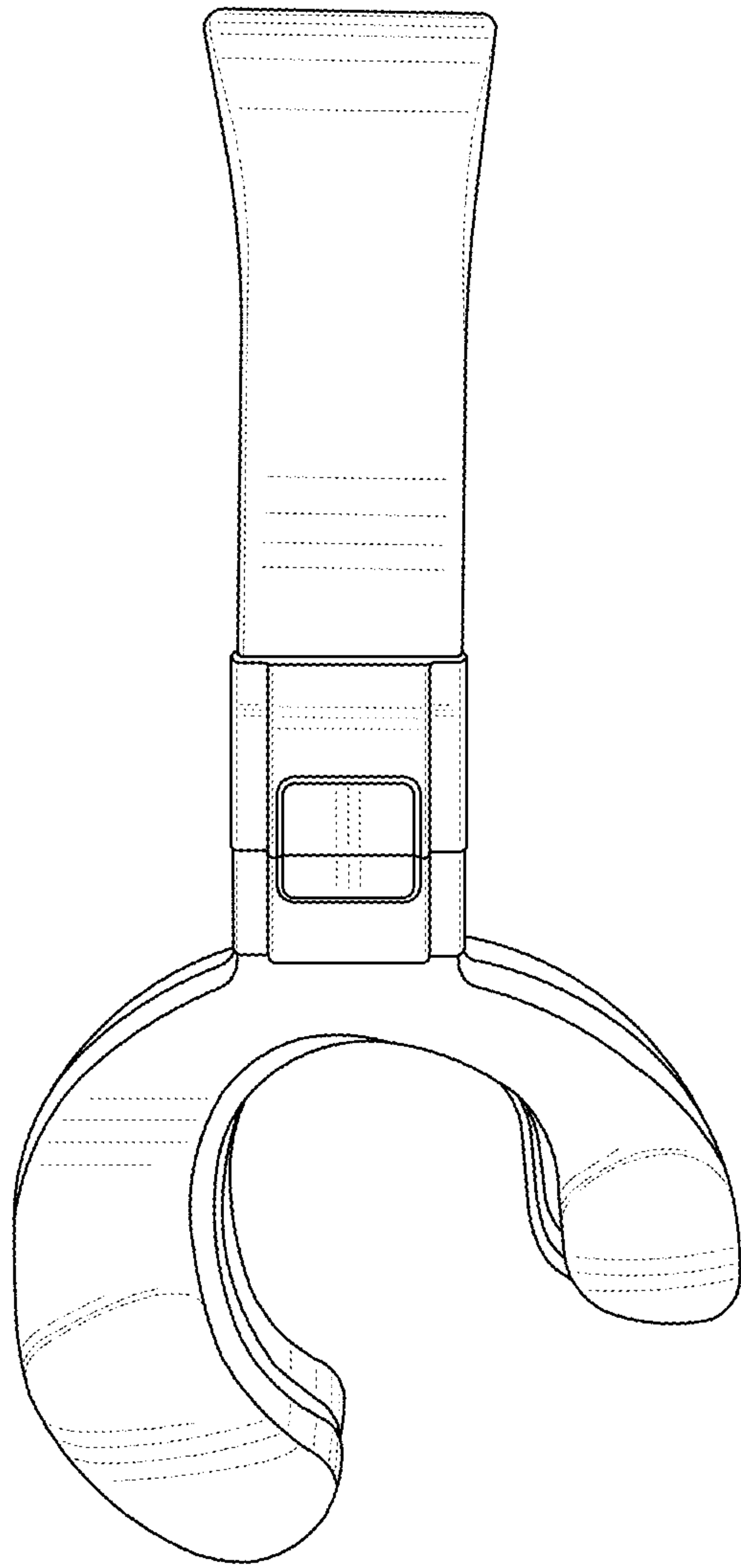


FIG. 5

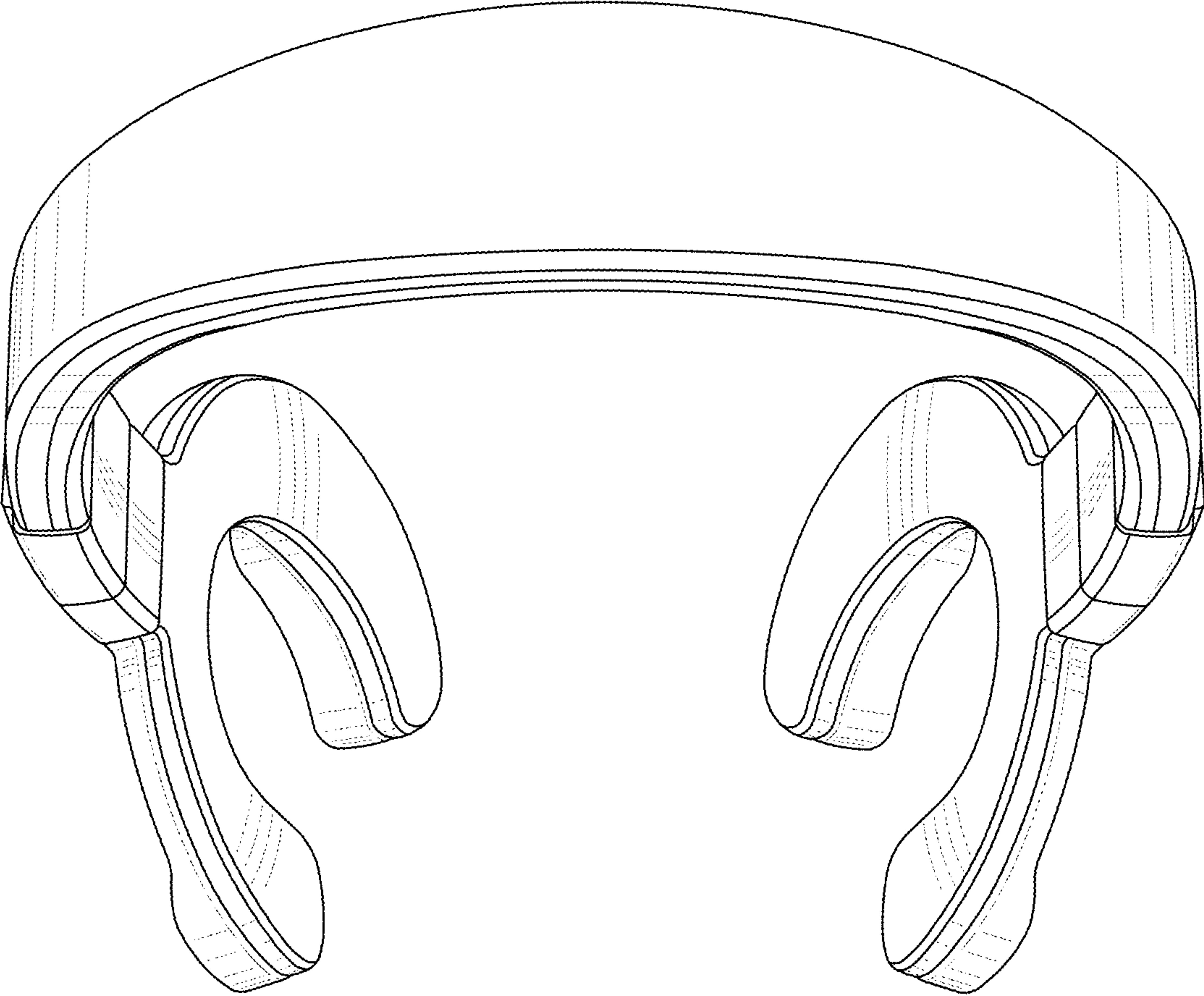


FIG. 6

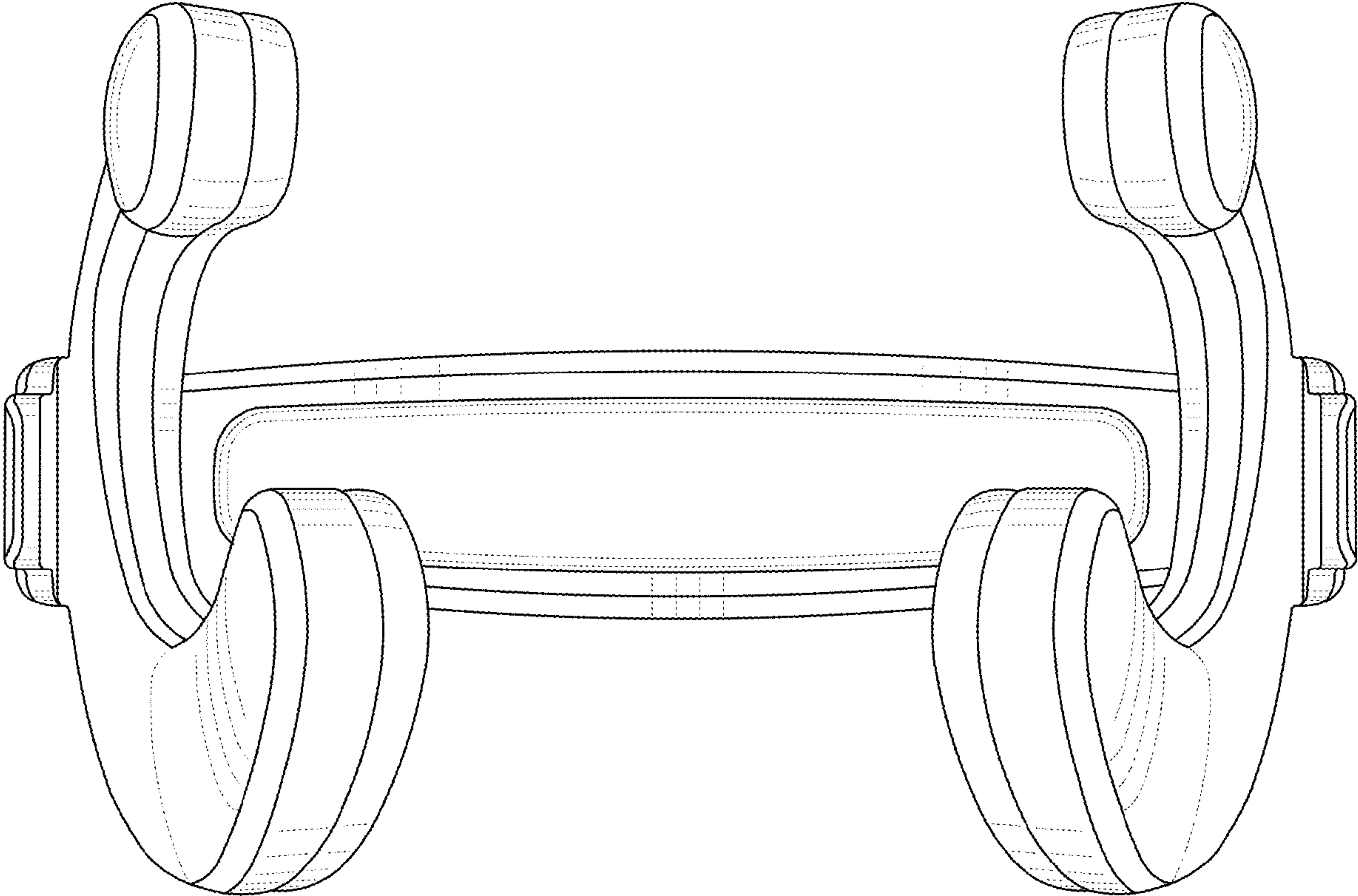


FIG. 7