



US00D897978S

(12) **United States Design Patent**
Nam et al.

(10) **Patent No.:** **US D897,978 S**

(45) **Date of Patent:** **** Oct. 6, 2020**

(54) **DISPLAY DEVICE**

(71) Applicant: **Samsung Display Co., Ltd.**, Yongin-si,
Gyeonggi-do (KR)

(72) Inventors: **Kee Hyun Nam**, Seoul (KR); **Kyung Hyun Ko**, Hwaseong-si (KR); **Jun Woo Kim**, Seoul (KR); **Yong Woo Koo**, Asan-si (KR); **Young-Su Kim**, Daegu (KR); **Hyun Joo Lee**, Cheongju-si (KR)

(73) Assignee: **Samsung Display Co., Ltd.**, Yongin-si (KR)

(**) Term: **15 Years**

(21) Appl. No.: **29/682,635**

(22) Filed: **Mar. 6, 2019**

(30) **Foreign Application Priority Data**

Sep. 7, 2018 (KR) 30-2018-0041847

(51) **LOC (12) Cl.** **14-03**

(52) **U.S. Cl.**
USPC **D14/138 G**

(58) **Field of Classification Search**
USPC D14/138 G, 138 AB, 138 AD, 248, 341,
D14/371, 374, 138 R, 138 AA, 138 AC,
D14/138 C, 247
CPC H04M 1/0202; H04M 1/0235; H04M
1/0237; H04M 1/0239; H04M 1/0266;
H04M 1/0268; H04M 1/027; H04M
1/0295; H04M 1/02; H04M 1/0279;
H04M 1/0283

See application file for complete search history.

(56) **References Cited**

U.S. PATENT DOCUMENTS

D815,612 S * 4/2018 Shin D14/138 G
D824,870 S * 8/2018 Shin D14/138 G

D824,871 S * 8/2018 Shin D14/138 G
D825,511 S * 8/2018 Shin D14/138 G
D829,677 S * 10/2018 Kim D14/138 G
D834,551 S * 11/2018 Ryu D14/138 G
D837,176 S * 1/2019 Choi D14/138 G
D842,831 S * 3/2019 Kim D14/138 G
D843,961 S * 3/2019 Kim D14/138 G
D843,962 S * 3/2019 Kim D14/138 G
D848,390 S * 5/2019 Cha D14/138 G
D849,707 S * 5/2019 Choi D14/138 G
D849,708 S * 5/2019 Park D14/138 G
D849,709 S * 5/2019 Choi D14/138 G
D856,293 S * 8/2019 Seo D14/138 G
D856,295 S * 8/2019 Kim D14/138 G

(Continued)

Primary Examiner — Bridget L Eland

(74) *Attorney, Agent, or Firm* — Lewis Roca Rothgerber
Christie LLP

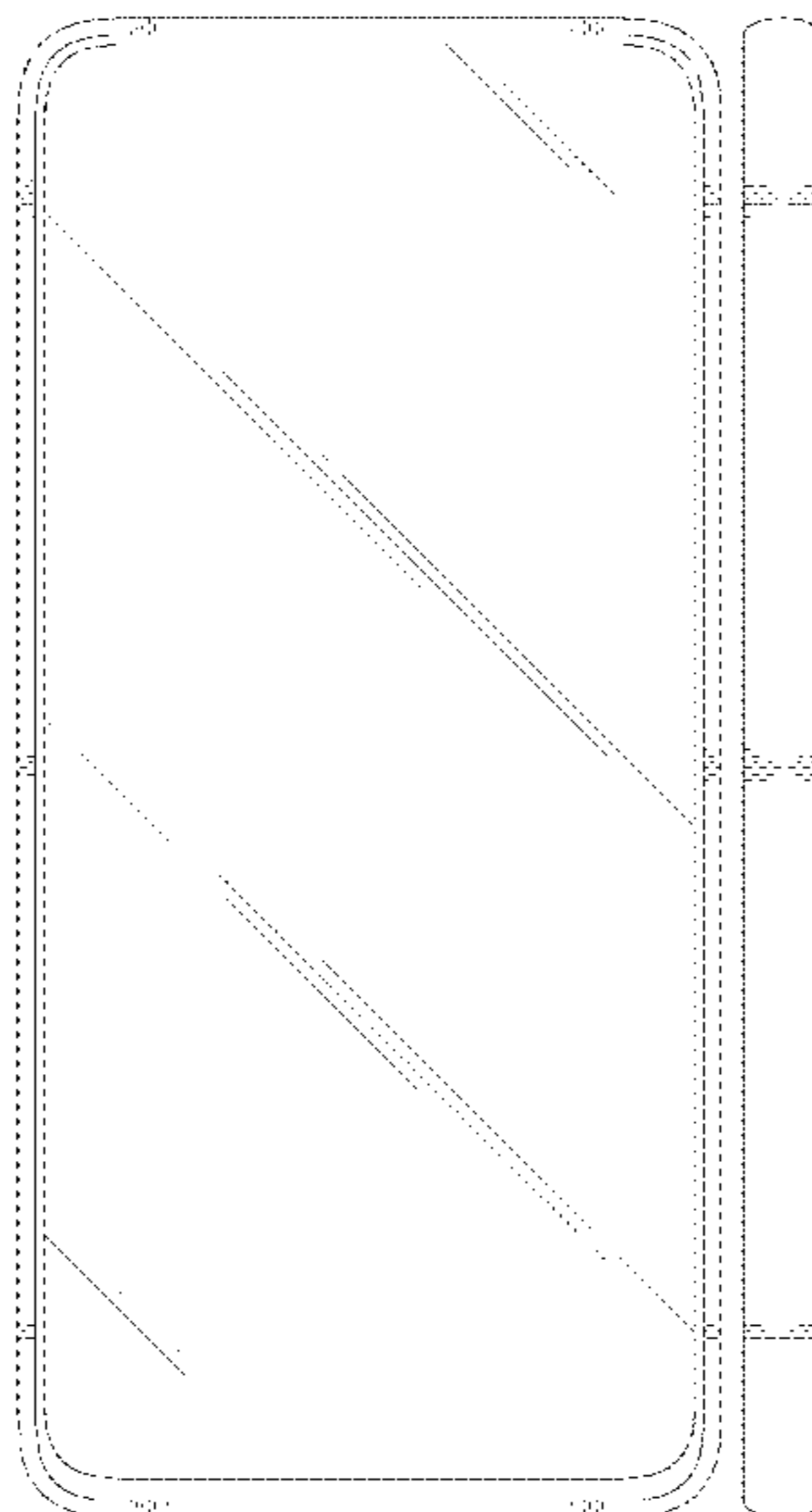
(57) **CLAIM**

The ornamental design for display device, as shown and described.

DESCRIPTION

FIG. 1 is a front perspective view of the display device according to the present design;
FIG. 2 is a front view thereof;
FIG. 3 is a rear view thereof;
FIG. 4 is a left side view thereof, with the right view being a mirror image;
FIG. 5 a top view thereof, with the bottom view being a mirror image;
FIG. 6 is a rear perspective view thereof;
FIG. 7 is a front view thereof, shown with environment; and,
FIG. 8 is a rear view thereof, shown with environment.
The broken lines are directed to environment and are for illustrative purposes only; the broken lines form no part of the claimed design.

1 Claim, 8 Drawing Sheets



(56)

References Cited

U.S. PATENT DOCUMENTS

D856,955 S	*	8/2019	Seo	D14/138 G
D856,957 S	*	8/2019	Hung	D14/138 G
D857,643 S	*	8/2019	Choi	D14/138 G
D861,629 S	*	10/2019	Kim	D14/138 G
D869,421 S	*	12/2019	Cho	D14/138 G
D869,423 S	*	12/2019	Cho	D14/138 G
D870,689 S	*	12/2019	Choe	D14/138 G
D877,109 S	*	3/2020	Kim	D14/138 G
D879,063 S	*	3/2020	Lee	D14/138 G
D883,944 S	*	5/2020	Matsuoka	D14/138 G

* cited by examiner

FIG. 1

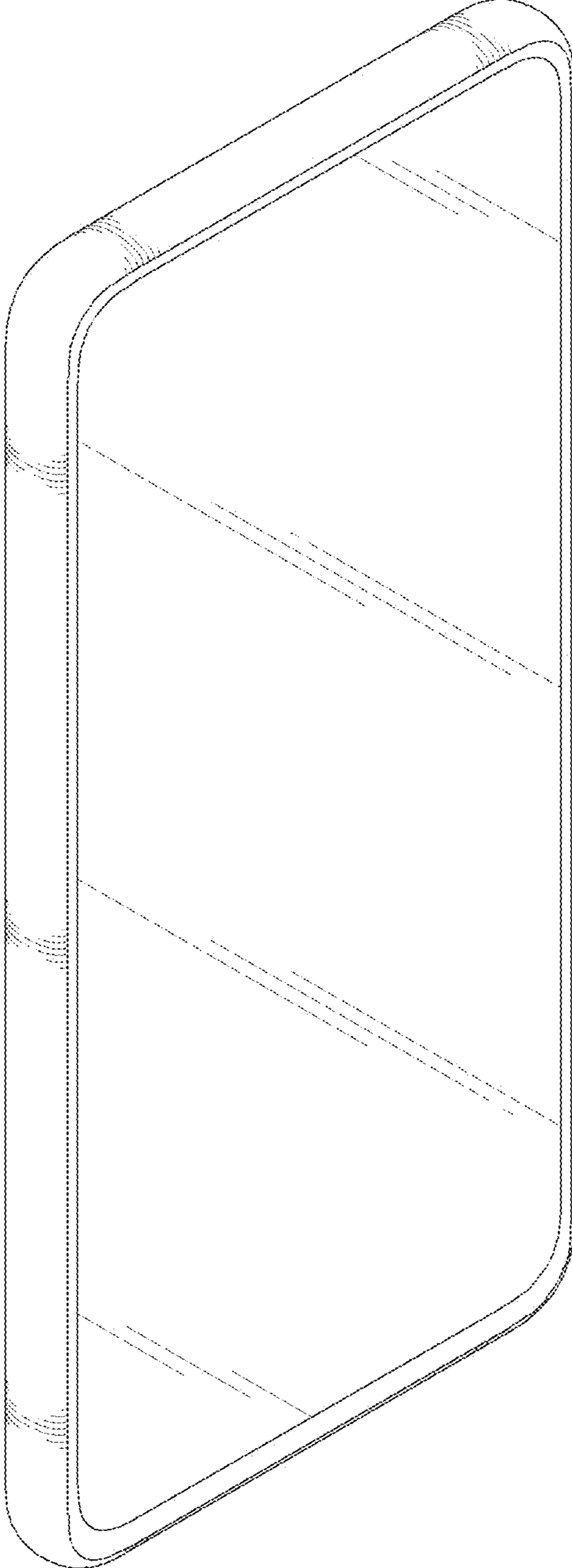


FIG. 2

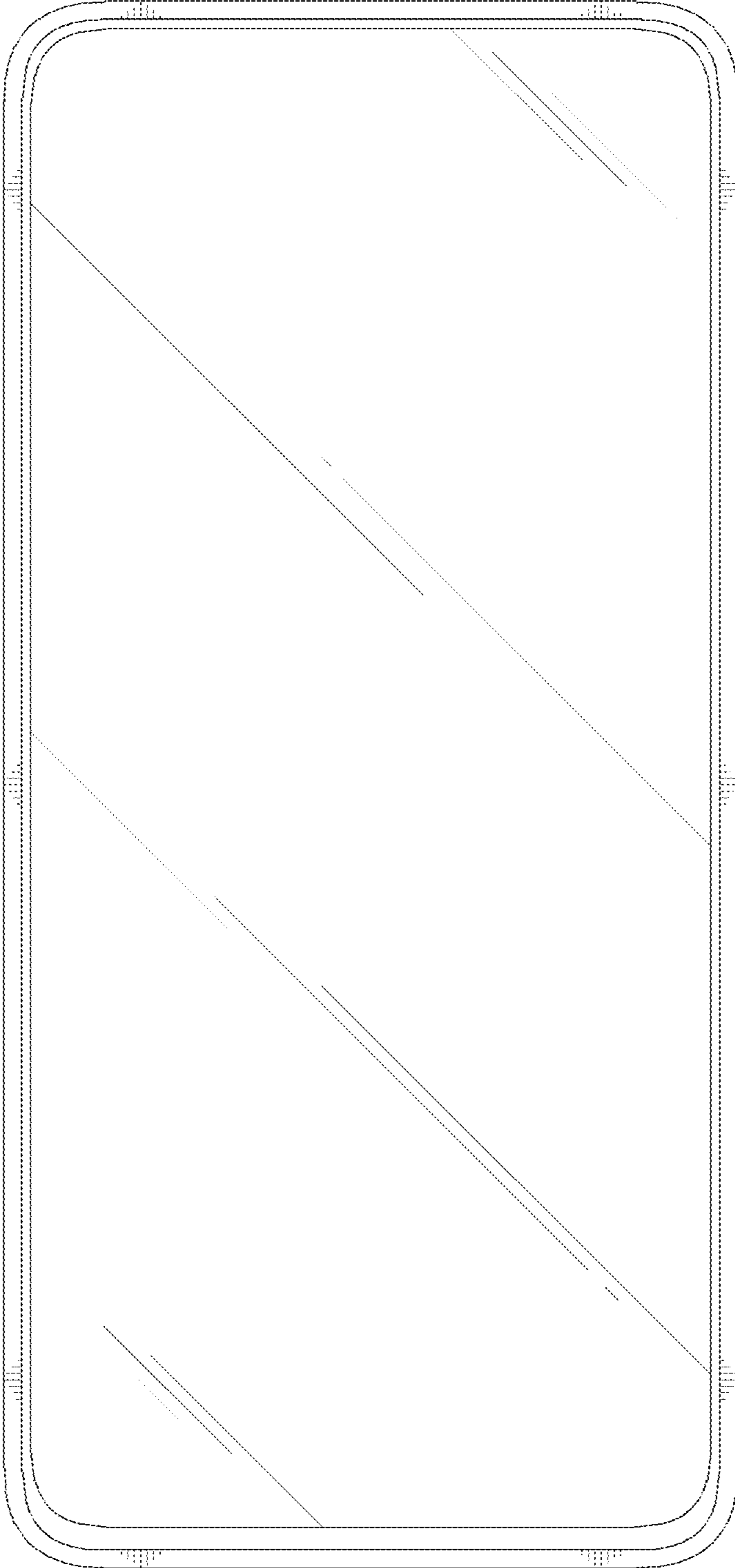


FIG. 3

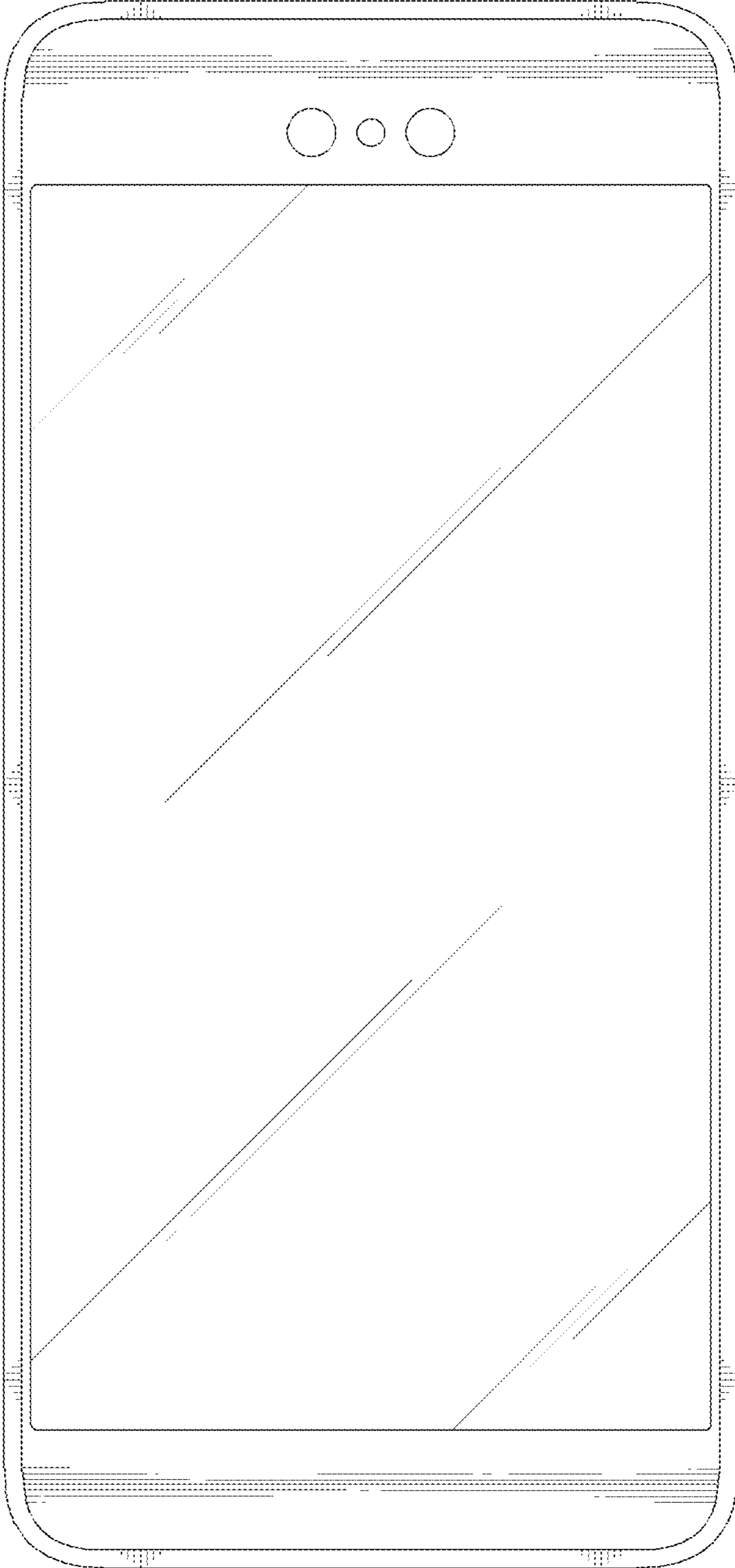


FIG. 4

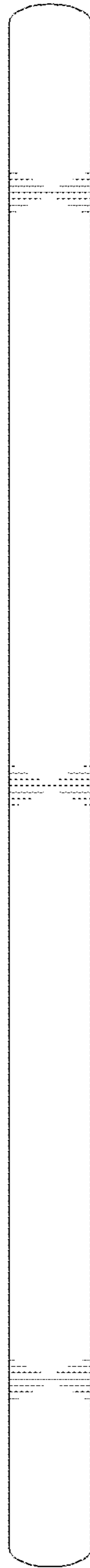


FIG. 5



FIG. 6

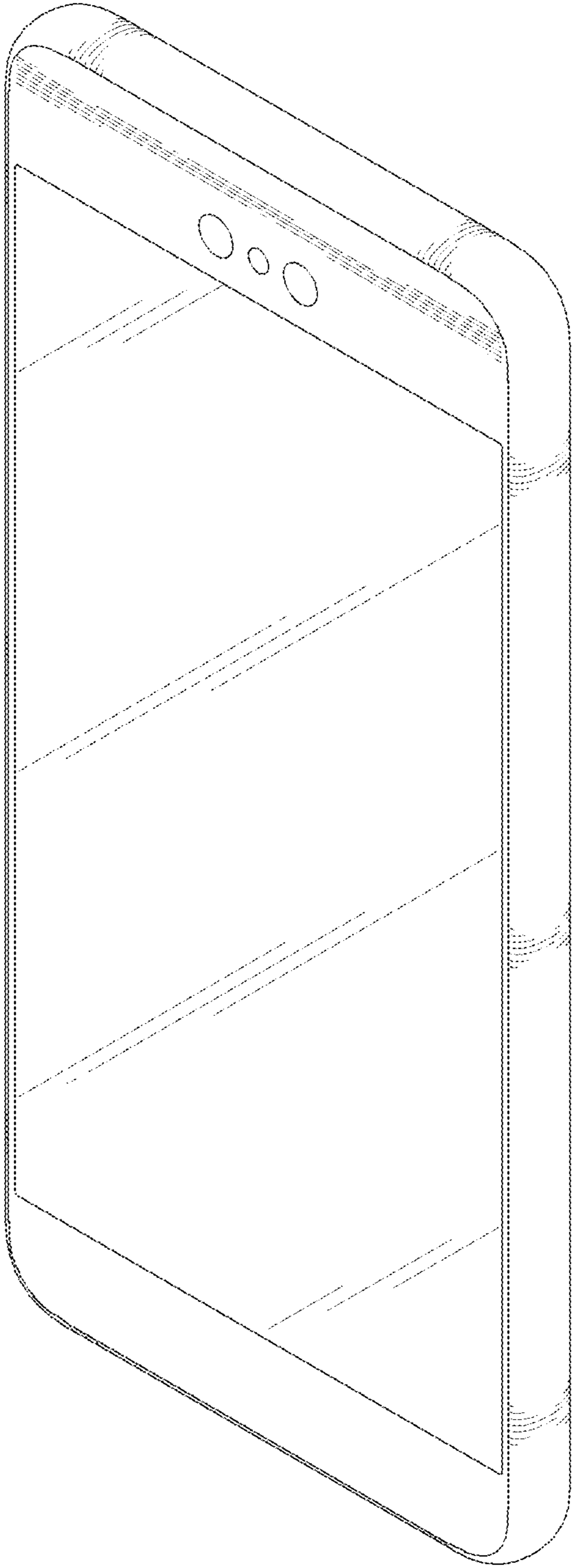


FIG. 7

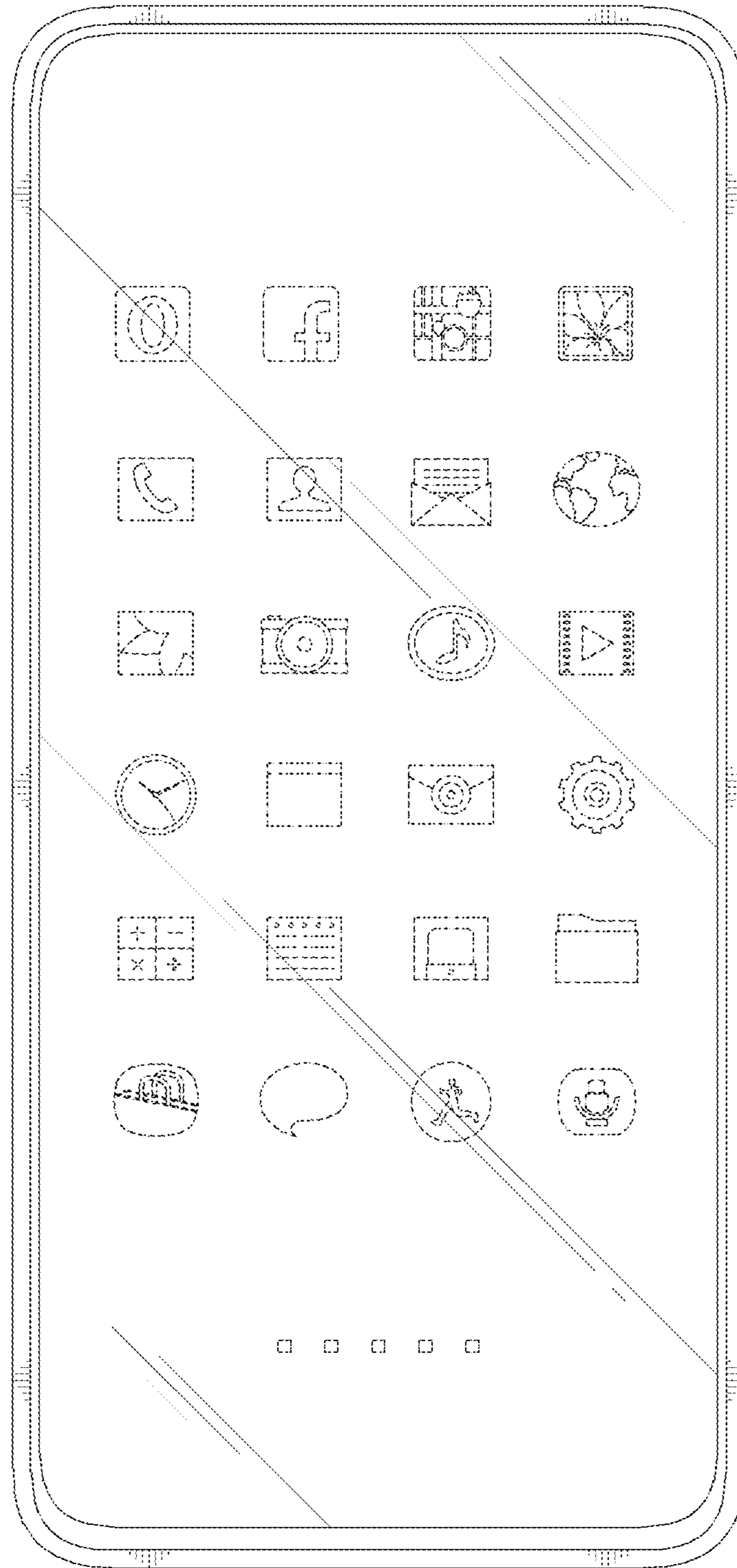


FIG. 8

