



US00D897977S

(12) **United States Design Patent** (10) **Patent No.:** **US D897,977 S**
Saito et al. (45) **Date of Patent:** **** Oct. 6, 2020**

(54) **HOUSING FOR AERIAL IMAGING APPARATUS**

(71) Applicant: **Sakai Display Products Corporation**, Sakai-shi, Osaka (JP)

(72) Inventors: **Yoshimasa Saito**, Sakai (JP); **Hideyuki Shirai**, Sakai (JP)

(73) Assignee: **SAKAI DISPLAY PRODUCTS CORPORATION**, Osaka (JP)

D789,362 S * 6/2017 Eljas D14/366
D824,895 S * 8/2018 Tivnon D14/314
D826,887 S * 8/2018 Kymm D14/126
D839,248 S * 1/2019 Hwang D14/239
D841,644 S * 2/2019 McWilliam D14/314
D844,046 S * 3/2019 Yeruva D18/4.5
D857,689 S * 8/2019 Birgeoglu D14/307
D857,791 S * 8/2019 Luo D18/4.4
D868,055 S * 11/2019 Benic D14/307
D873,815 S * 1/2020 McWilliam D14/314
D877,105 S * 3/2020 Saito D14/126
D879,059 S * 3/2020 Saito D14/126

(Continued)

(**) Term: **15 Years**

(21) Appl. No.: **29/674,198**

(22) Filed: **Dec. 20, 2018**

(30) **Foreign Application Priority Data**

Jul. 4, 2018 (JP) 2018-014793

(51) **LOC (12) Cl.** **14-03**

(52) **U.S. Cl.**
USPC **D14/126; D14/133; D14/239**

(58) **Field of Classification Search**
USPC D14/126, 133, 307
CPC B60R 11/0235; B60R 2011/0082; B60R 2011/0084; B60R 2011/0087; F16M 11/10

See application file for complete search history.

(56) **References Cited**

U.S. PATENT DOCUMENTS

D211,579 S * 7/1968 Cordes, Jr. D14/307
D279,566 S * 7/1985 Case D18/4.4
D314,378 S * 2/1991 Saeki D14/126
D378,534 S * 3/1997 Kato D14/371
D380,498 S * 7/1997 Lunetta D14/373
D385,268 S * 10/1997 Brettschneider D14/126
D447,312 S * 8/2001 Swaine D99/28
D460,055 S * 7/2002 Rosen B60R 11/0235
D784,270 S * 4/2017 Bhattacharya D13/162

OTHER PUBLICATIONS

U.S. Appl. No. 29/654,116, filed Mar. 2020, US, Saito Yaoshimasa.*
(Continued)

Primary Examiner — Barbara Fox
Assistant Examiner — Aram Kwon

(74) *Attorney, Agent, or Firm* — Keating & Bennett, LLP

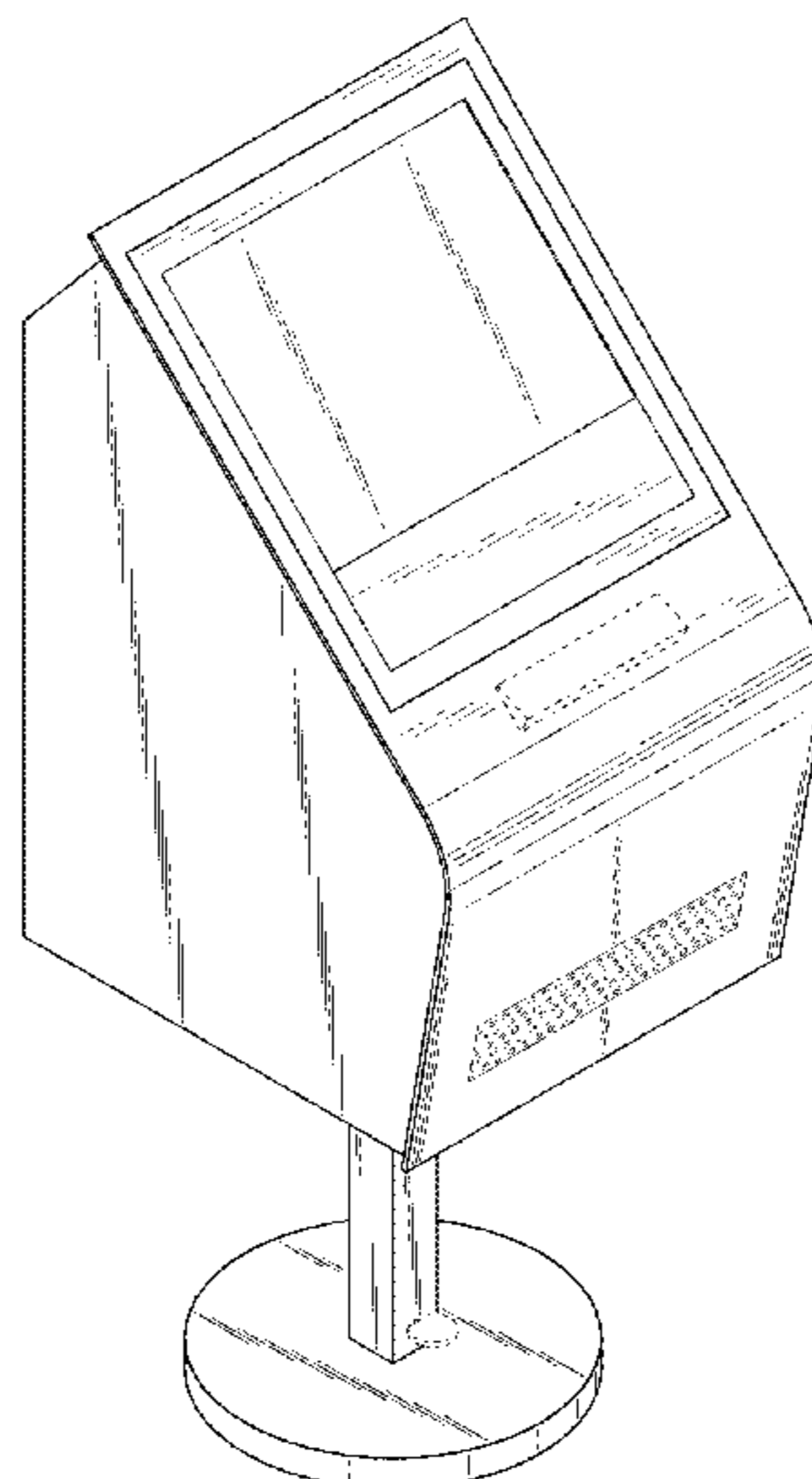
(57) **CLAIM**

The ornamental design for a housing for aerial imaging apparatus, as shown and described.

DESCRIPTION

FIG. 1 is a perspective view of a housing for aerial imaging apparatus showing our new design;
FIG. 2 is a front view thereof;
FIG. 3 is a rear view thereof;
FIG. 4 is a right side view thereof, opposite left side view being mirror image thereof;
FIG. 5 is a top view thereof; and,
FIG. 6 is a bottom view thereof.
In FIGS. 1-6, the broken lines show portions of the housing for aerial imaging apparatus that form no part of the claimed design.

1 Claim, 6 Drawing Sheets



(56)

References Cited

U.S. PATENT DOCUMENTS

D881,882 S * 4/2020 Shirai D14/374
D882,676 S * 4/2020 Sorio D18/4.4
D883,373 S * 5/2020 Sorio D18/4.4
D888,705 S * 6/2020 Saito D14/307

OTHER PUBLICATIONS

U.S. Appl. No. 29/654,115, filed Mar. 2020, US, Saito Yaoshimasa.*
iPad Stand for Floor, (c) 2017 [online], [retrieved May 20, 2020],
Retrieved from internet, URL: <<https://www.displays2go.com/P-22291/Industrial-Tablet-Kiosk-with-Secure-Design?gclid=EAlalQobChMI8vHExIfD6QIVBK7ICh2zgwT-EAQYBiABEgK%E2%80%A6>> (Year: 2017).*

Transaction—and payment terminals, publication date not available, [retrieved May 20, 2020], Retrieved from internet, URL: <<https://ekiosk.com/en/yama-universal-kiosk-for-payment-and-transactions/>> (Year: 2020).*

Saito et al., “Housing for Aerial Imaging Apparatus,” U.S. Appl. No. 29/654,115, filed Jun. 21, 2018.

Saito et al., “Housing for Aerial Imaging Apparatus,” U.S. Appl. No. 29/654,116, filed Jun. 21, 2018.

Saito et al., “Housing for Aerial Imaging Apparatus,” U.S. Appl. No. 29/674,199, filed Dec. 20, 2018.

* cited by examiner

Fig. 1

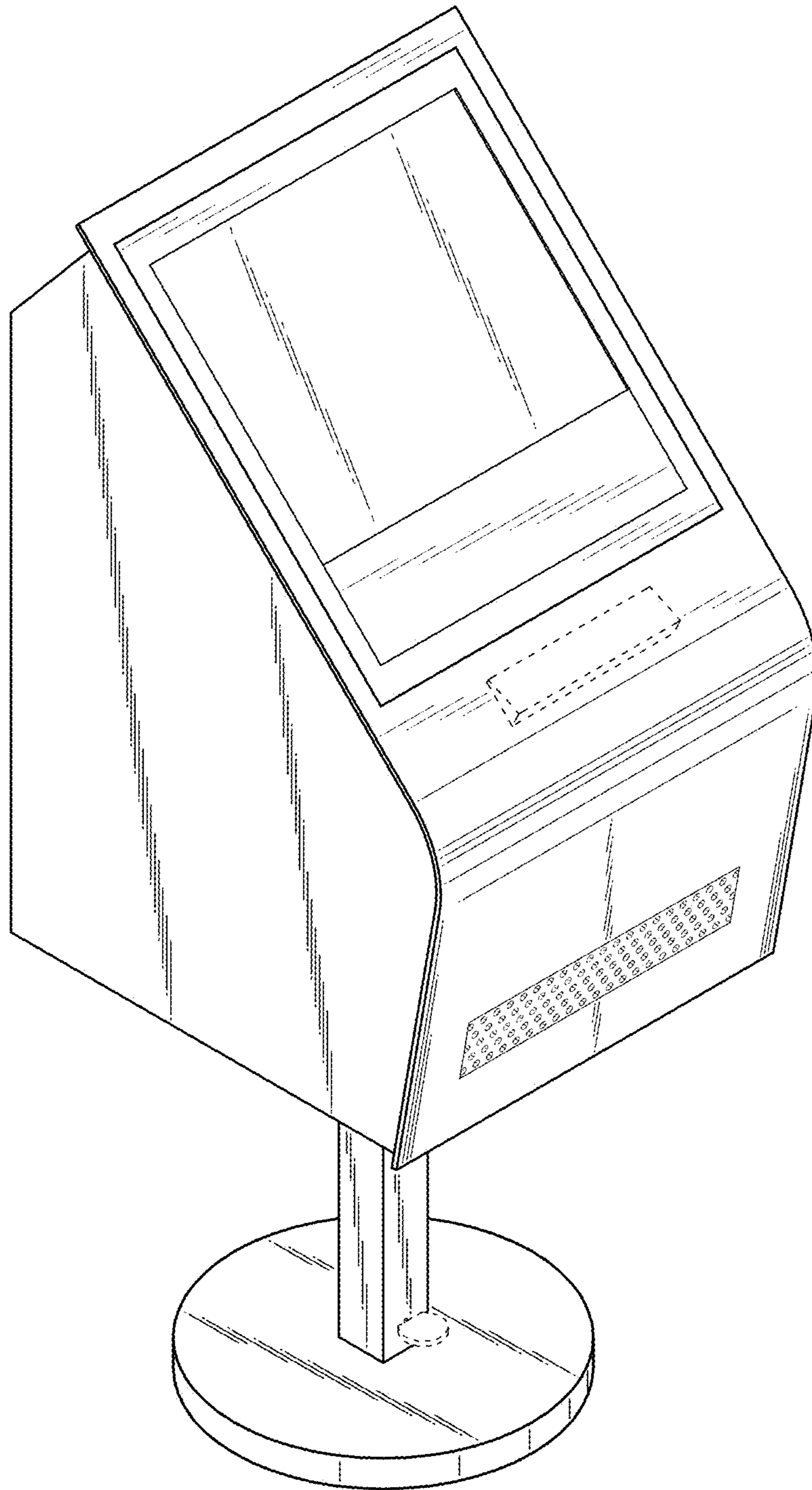


Fig. 2

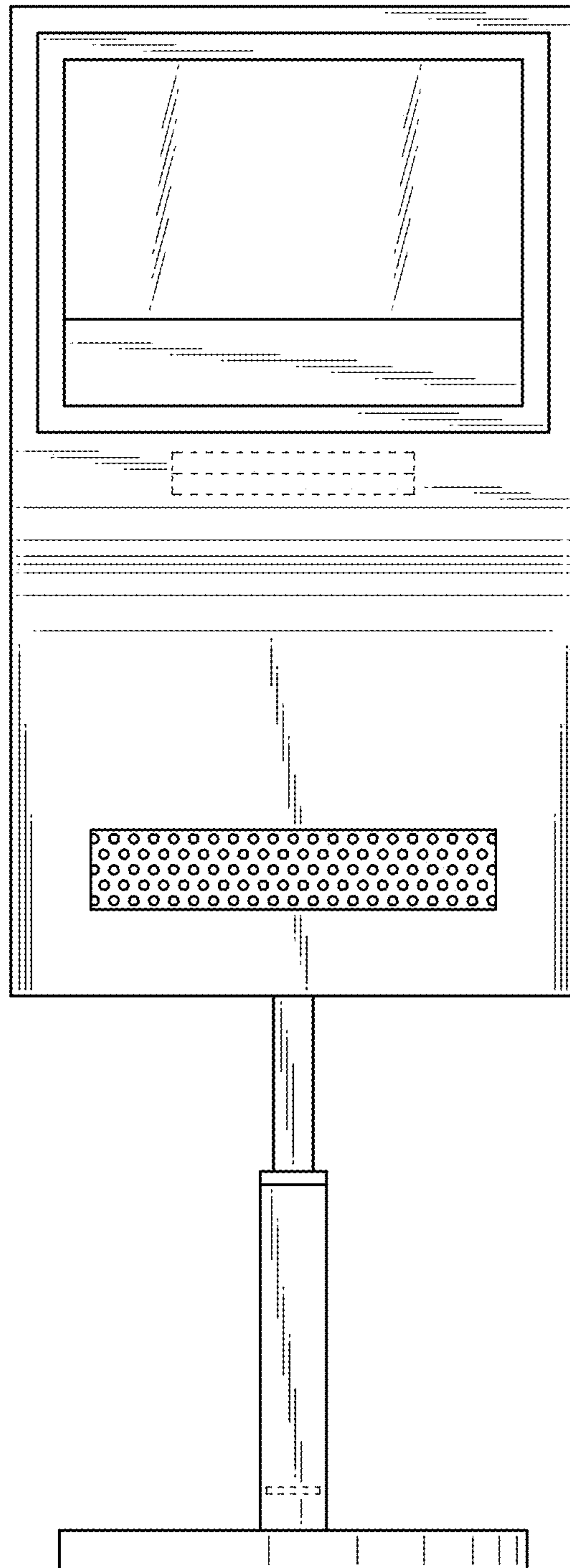


Fig. 3

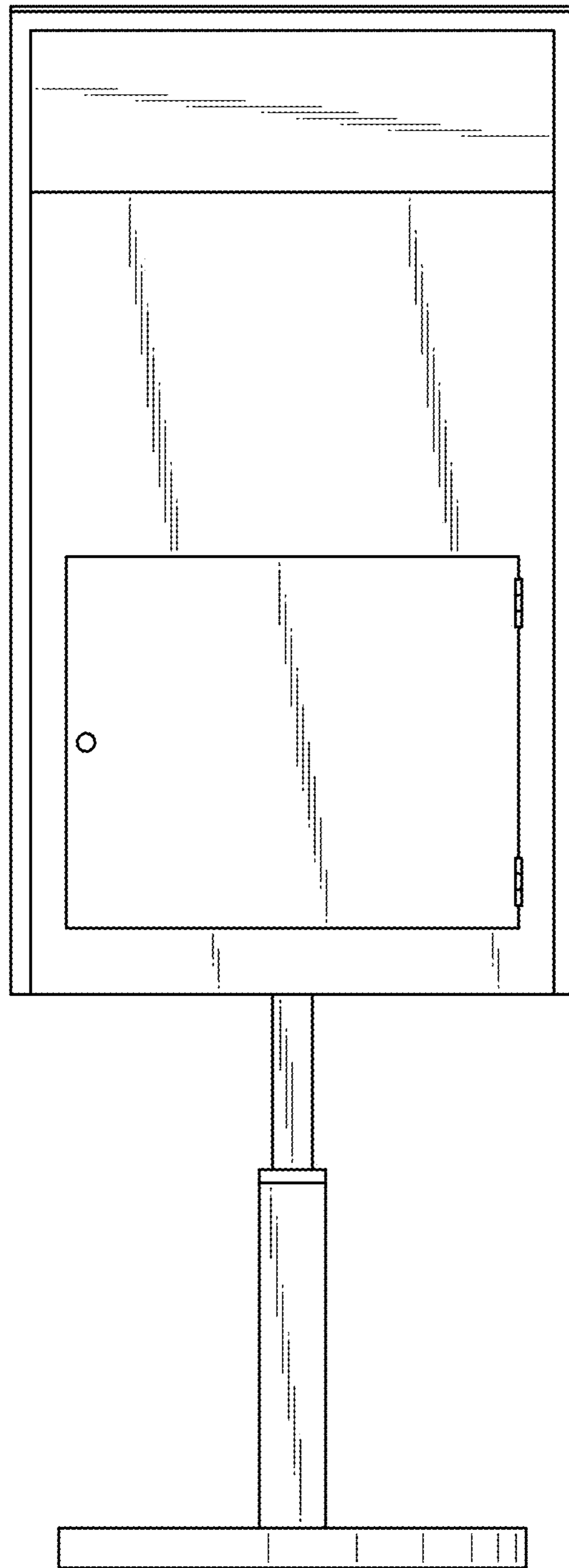


Fig. 4

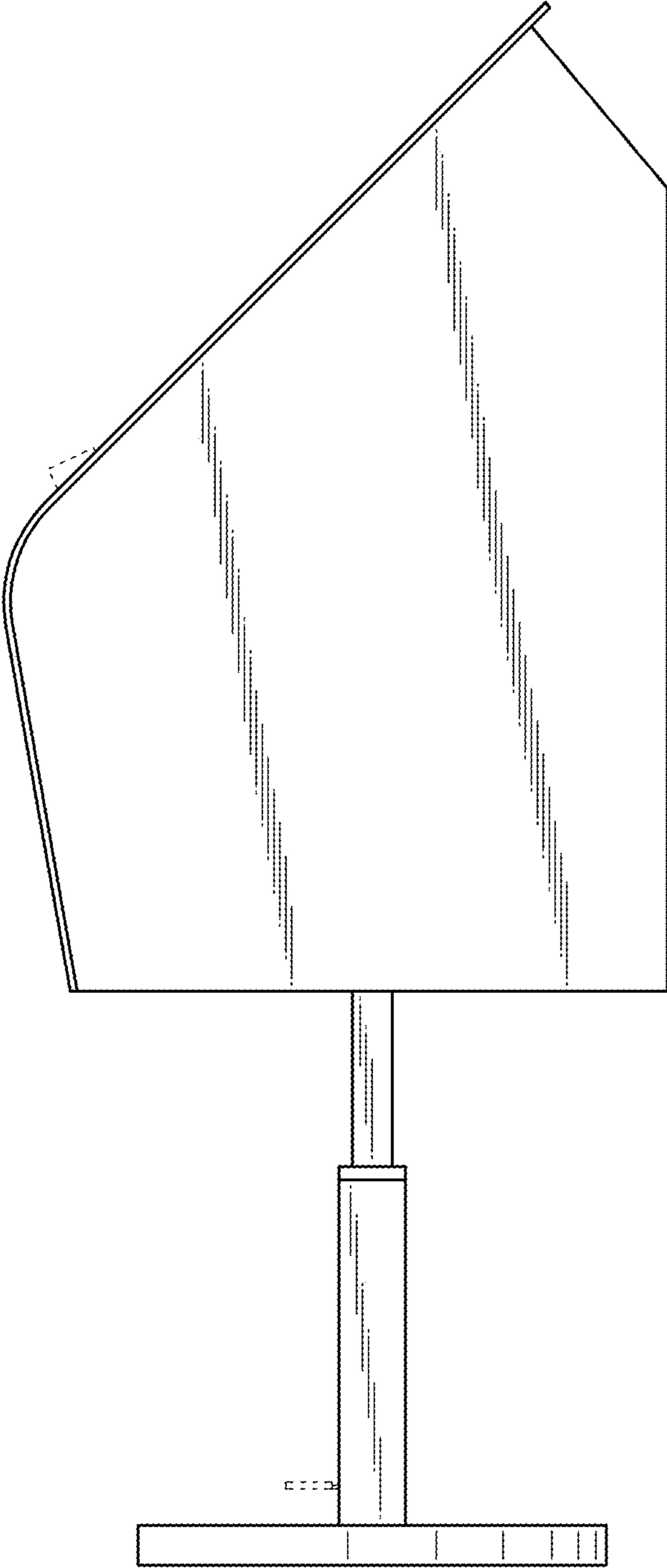


Fig. 5

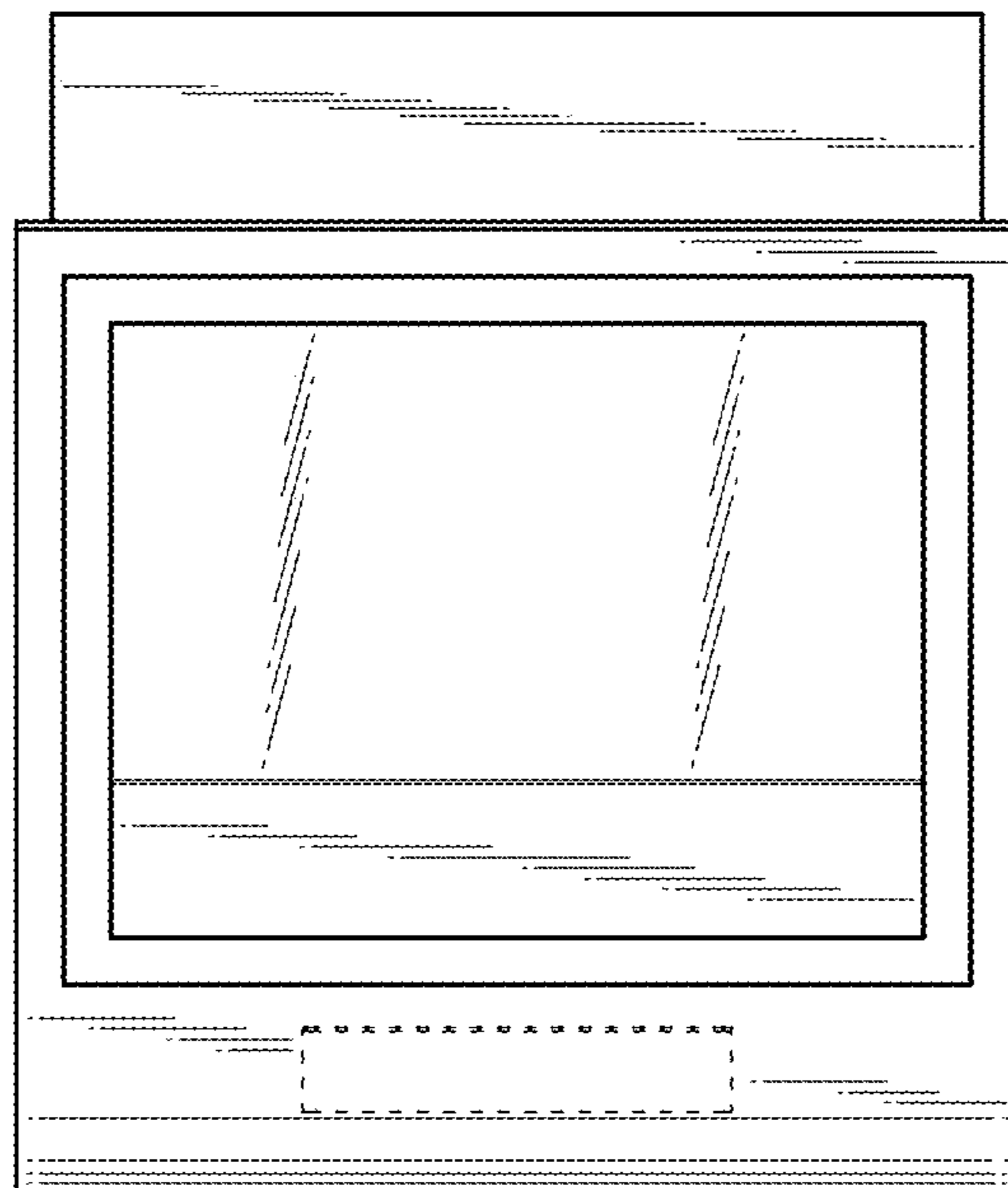


Fig. 6

