



US00D897972S

(12) **United States Design Patent**
Capecelatro et al.

(10) **Patent No.:** **US D897,972 S**
(45) **Date of Patent:** **** Oct. 6, 2020**

(54) **WALL-MOUNTED TOGGLE SWITCH WITH CONTEXTUALLY-CHANGING COLOR RING**

(71) Applicant: **Josh.ai LLC**, Denver, CO (US)

(72) Inventors: **Alex Nathan Capecelatro**, Los Angeles, CA (US); **Brian Hulme**, Highlands Ranch, CO (US)

(73) Assignee: **Josh.ai LLC**, Denver, CO (US)

(**) Term: **15 Years**

(21) Appl. No.: **29/691,540**

(22) Filed: **May 16, 2019**

(51) **LOC (12) Cl.** **13-03**

(52) **U.S. Cl.**
USPC **D13/169**

(58) **Field of Classification Search**
USPC D13/162, 169, 173, 177

(Continued)

(56) **References Cited**

U.S. PATENT DOCUMENTS

1,509,071 A * 9/1924 Preston H01H 23/146
200/562
1,518,042 A * 12/1924 Avery H01H 23/146
200/440

(Continued)

Primary Examiner — Selina Sikder

(74) *Attorney, Agent, or Firm* — Van Pelt, Yi & James LLP

(57) **CLAIM**

We claim the ornamental design for a wall-mounted toggle switch with contextually-changing color ring, as shown and described.

DESCRIPTION

The file of this patent contains at least one drawing/photograph executed in color. Copies of this patent with color

drawing(s)/photograph(s) will be provided by the Office upon request and payment of the necessary fee.

FIG. 1 is a perspective view of a wall-mounted toggle switch with contextually-changing color ring showing our new design.

FIG. 2 is a front view thereof.

FIG. 3 is a right side view thereof.

FIG. 4 is a front view thereof showing a first color fill state associated with a first level of activation of a first controlled home system.

FIG. 5 is a front view thereof showing a second color fill state associated with a second level of activation of the first controlled home system.

FIG. 6 is a front view thereof showing a third color fill state associated with a third level of activation of the first controlled home system.

FIG. 7 is a front view thereof showing a fourth color fill state associated with a fourth level of activation of the first controlled home system.

FIG. 8 is a front view thereof showing a first color fill state associated with a first level of activation of a second controlled home system.

FIG. 9 is a front view thereof showing a second color fill state associated with a second level of activation of the second controlled home system.

FIG. 10 is a front view thereof showing a third color fill state associated with a third level of activation of the second controlled home system.

FIG. 11 is a front view thereof showing a fourth color fill state associated with a fourth level of activation of the second controlled home system.

FIG. 12 is a front view thereof showing a first color fill state associated with a first period of a waiting state.

FIG. 13 is a front view thereof showing a second color fill state associated with a second period of the waiting state.

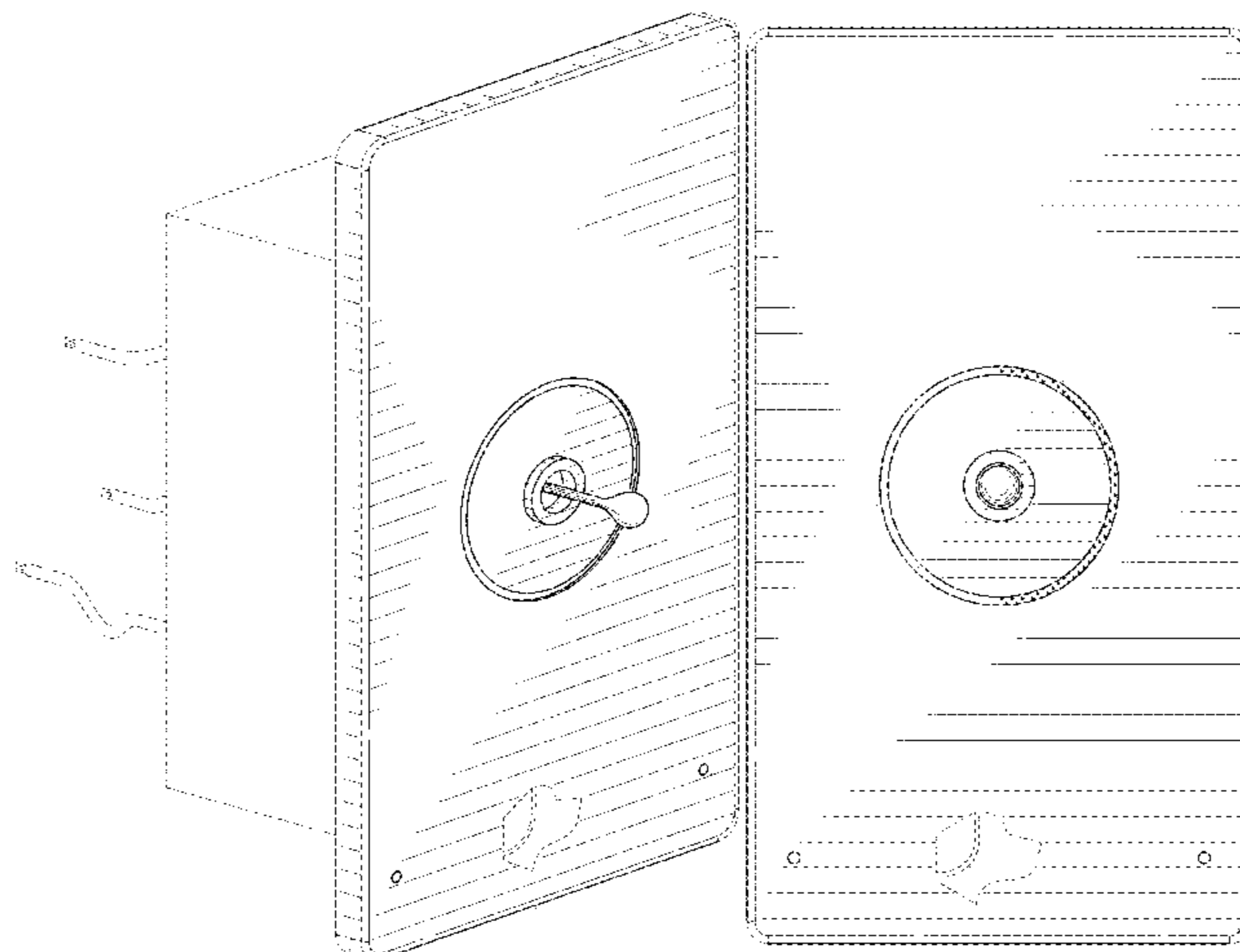
FIG. 14 is a front view thereof showing a third color fill state associated with a third period of the waiting state.

FIG. 15 is a front view thereof showing a fourth color fill state associated with a fourth period of the waiting state; and,

FIG. 16 is a perspective view thereof showing a fourth color fill state associated with a fourth period of the waiting state.

The appearance of the wall-mounted toggle switch transitions between the images shown in FIGS. 4-7 and FIGS.

(Continued)



8-11, respectively, as the corresponding controlled system is activated to increasing levels. The appearance of the wall-mounted toggle switch transitions between the images shown in FIGS. 12-16 as the corresponding control system works during associated wait periods. With respect to all FIGS. 4-16, the process or period in which one image transitions to another forms no part of the claimed design. The broken lines showing a back end body and wires form no part of the claimed design.

1 Claim, 16 Drawing Sheets
(13 of 16 Drawing Sheet(s) Filed in Color)

(58) **Field of Classification Search**

CPC H01H 3/04; H01H 21/36; H01H 25/00;
H01H 25/04; H01H 25/06; H01H 23/00;
H01H 23/02; H01H 23/04; H01H 23/08;
H01H 23/14; H01H 23/146; H01H
23/148; H01H 23/16; H01H 23/162;

H01H 23/164; H01H 23/168; H01H
36/006; H01H 13/023; H01H 9/02; H01H
9/16; H01H 9/18; H01H 9/181; H01H
9/182; G05G 1/04

See application file for complete search history.

(56)

References Cited

U.S. PATENT DOCUMENTS

1,736,849	A	*	11/1929	Douglas	H01H 23/146 74/523
D565,513	S	*	4/2008	Biondo	D13/174
D722,981	S	*	2/2015	Livschitz	D13/162
D736,717	S	*	8/2015	Duffy	D13/162
D776,628	S	*	1/2017	Minale	D13/169
D801,289	S	*	10/2017	Minale	D13/169
D843,857	S	*	3/2019	Avranches	D10/49
D851,609	S	*	6/2019	Minale	D13/169
2019/0391542	A1	*	12/2019	Gill	G05B 15/02

* cited by examiner

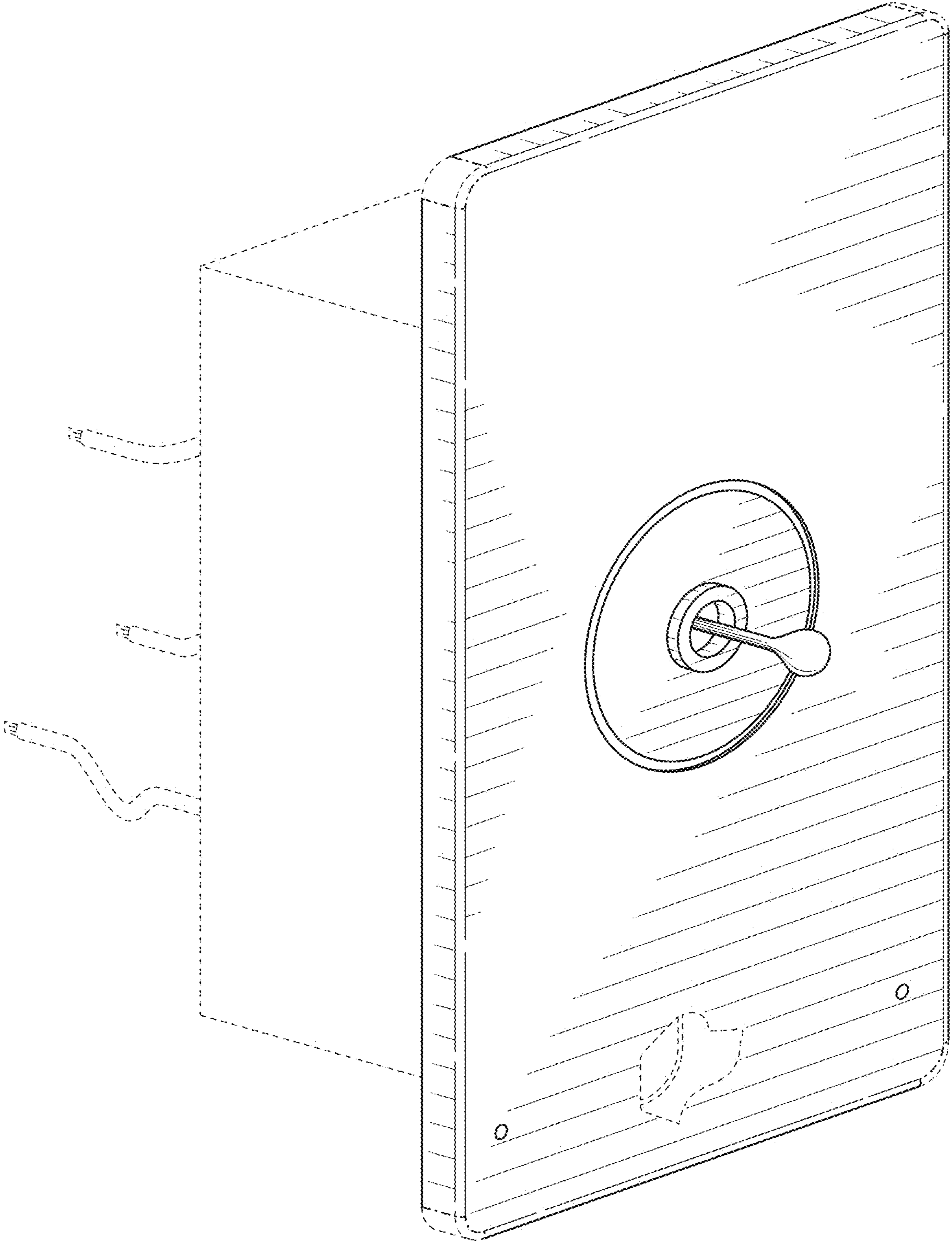


FIG. 1

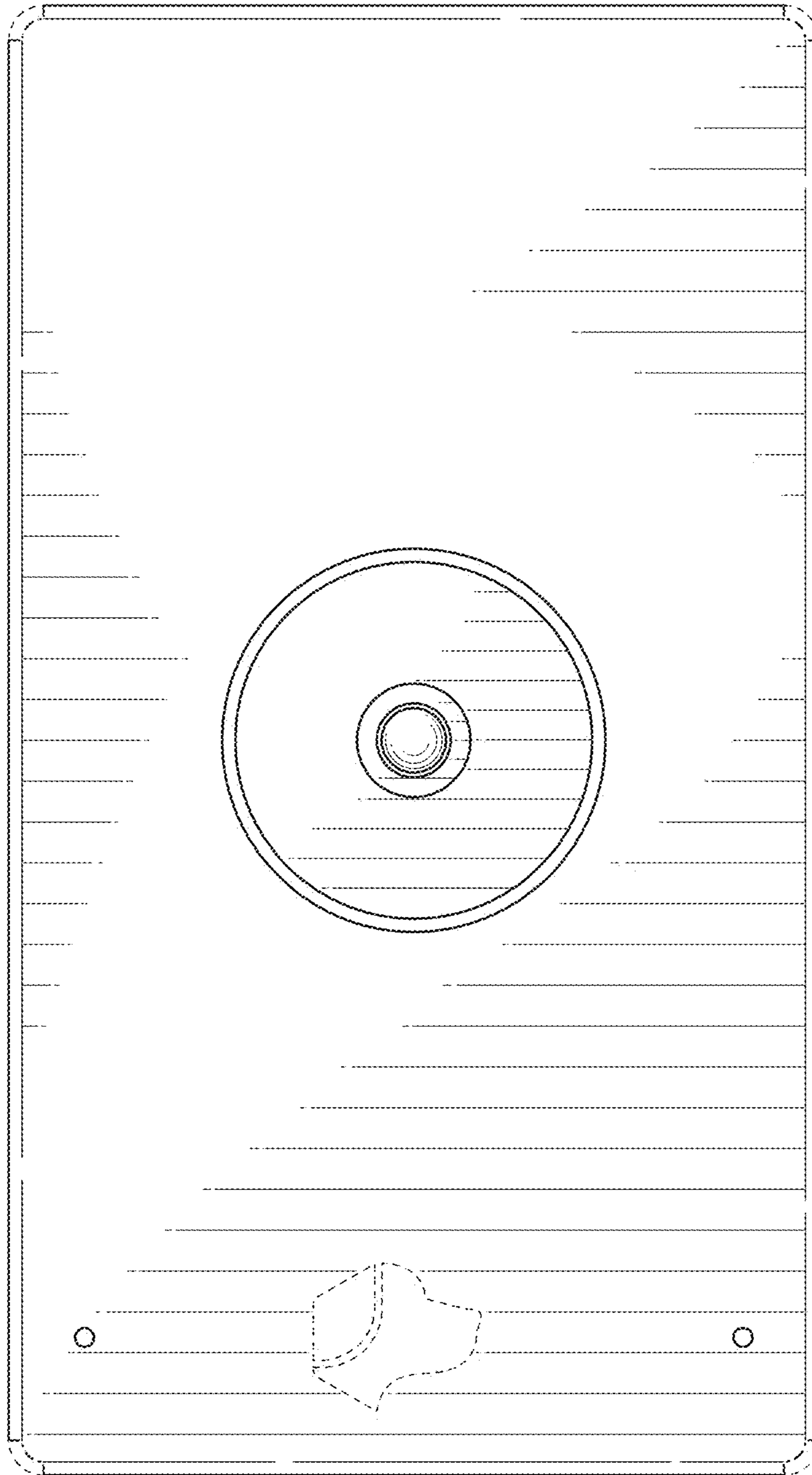


FIG. 2

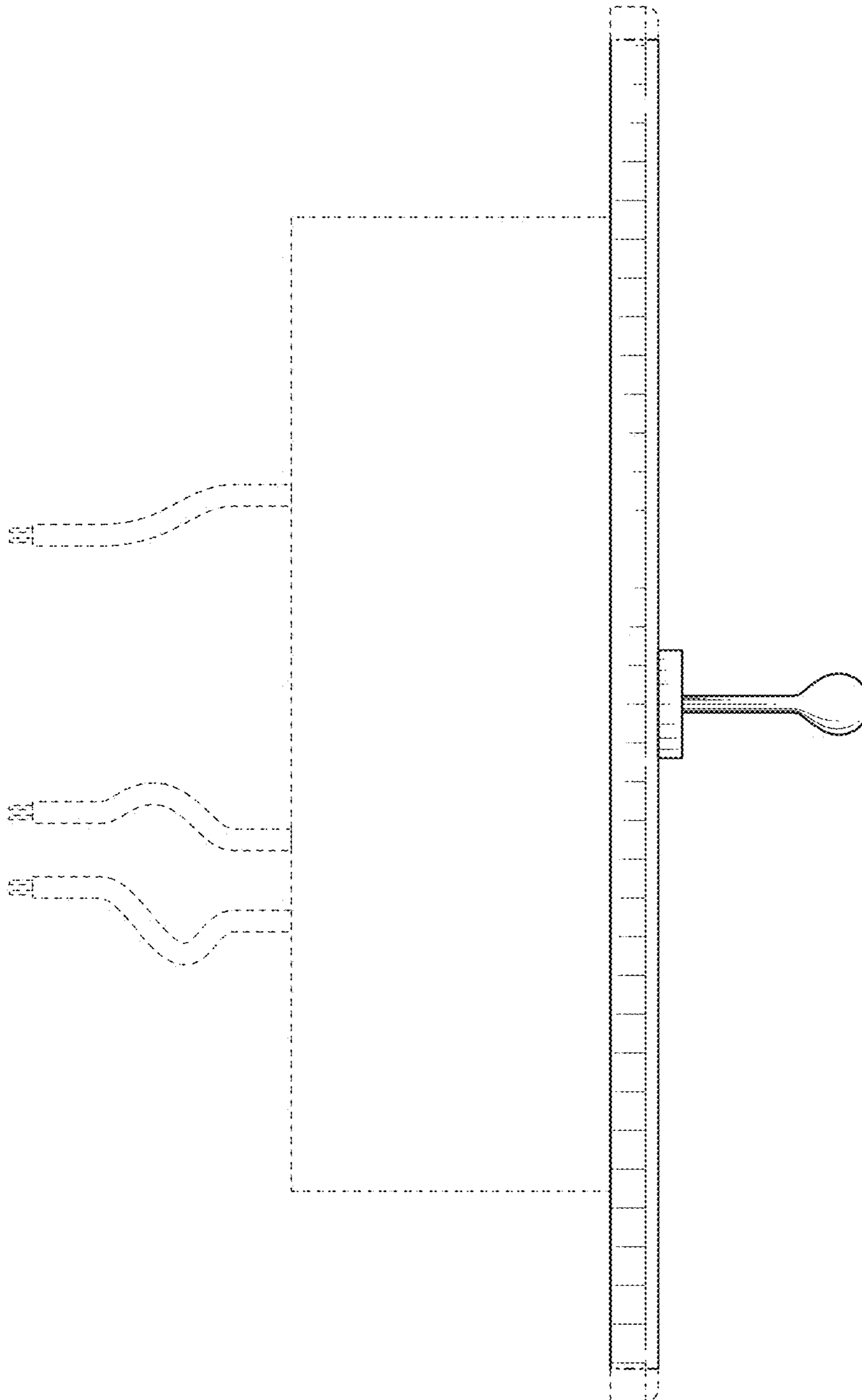


FIG. 3

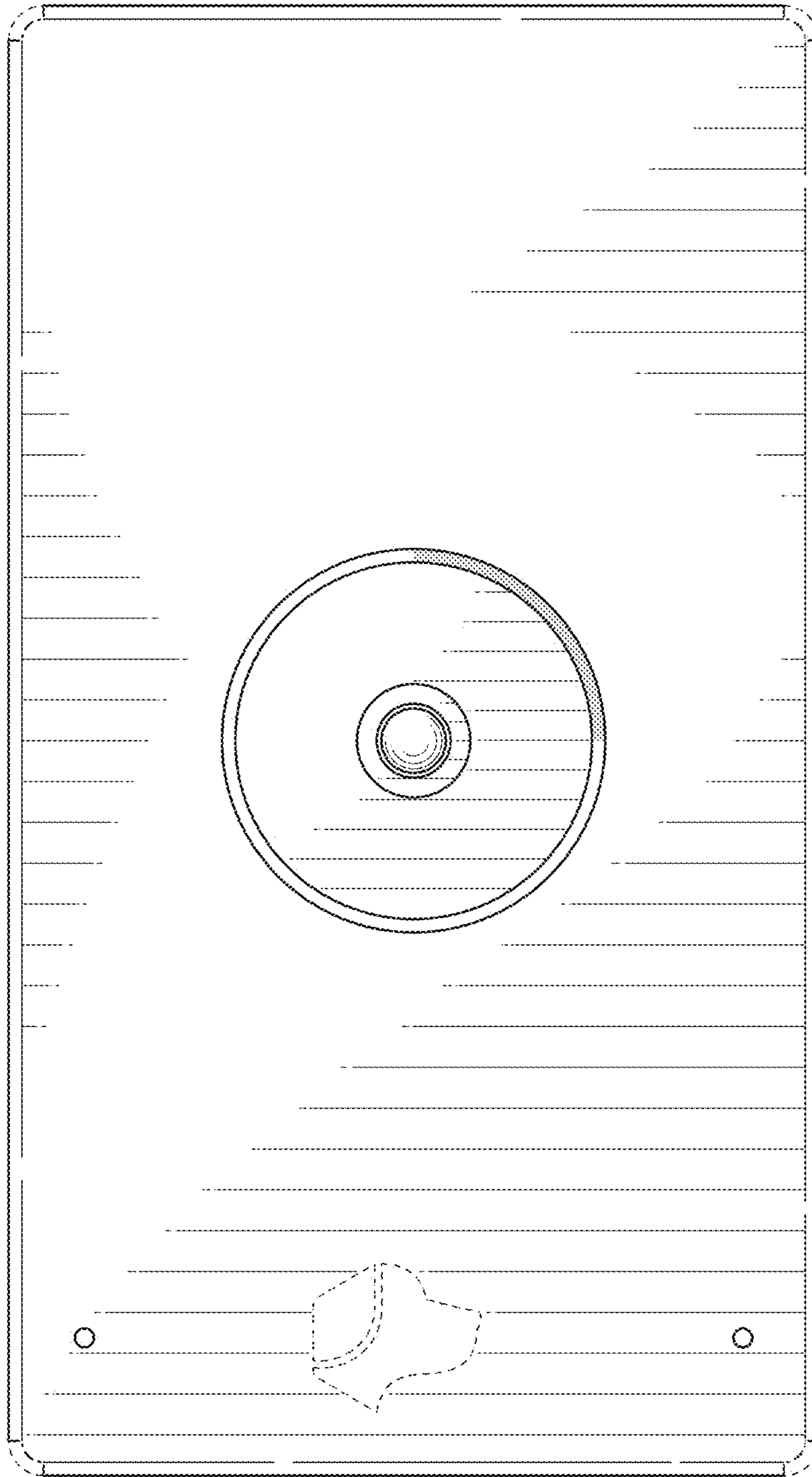


FIG. 4

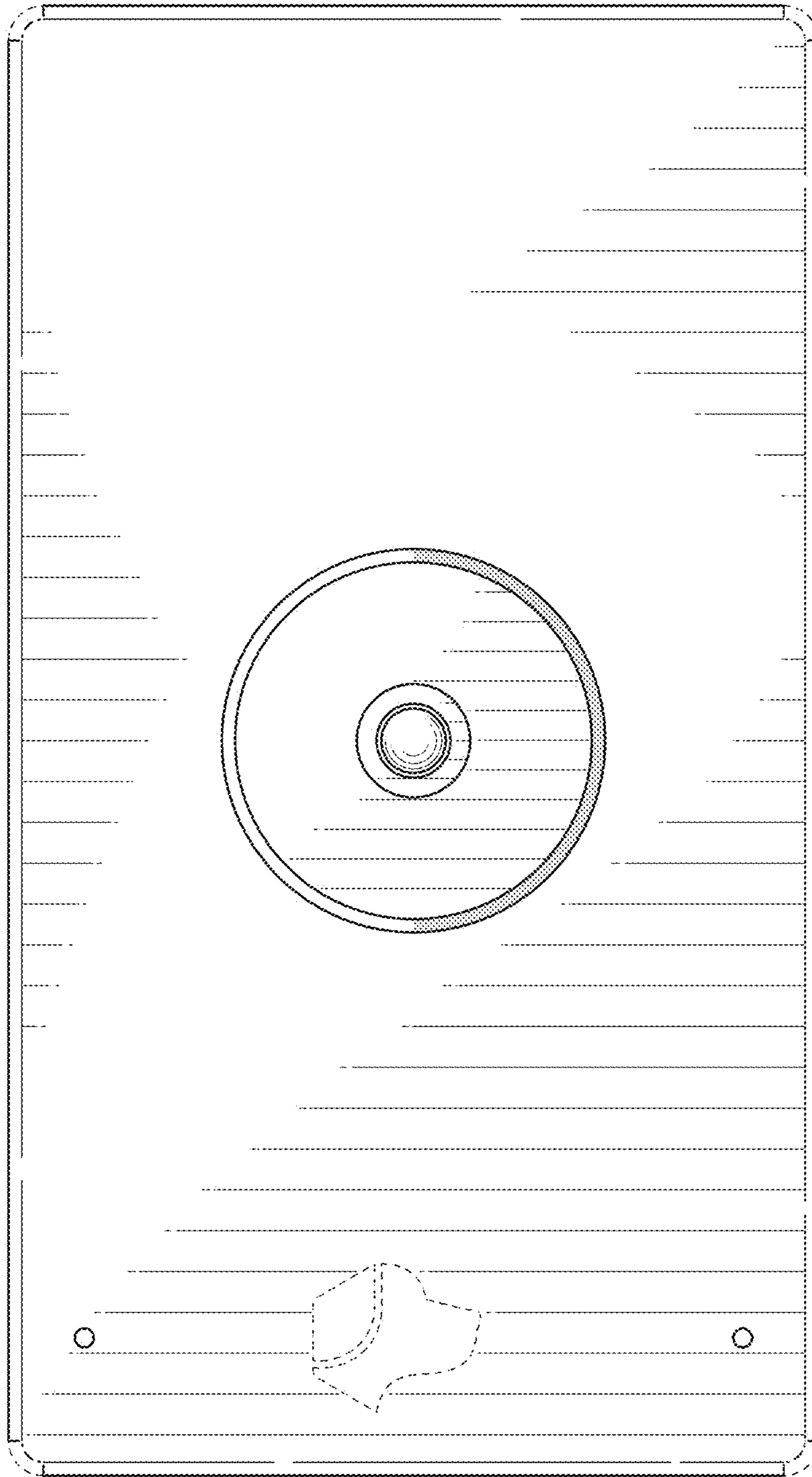


FIG. 5

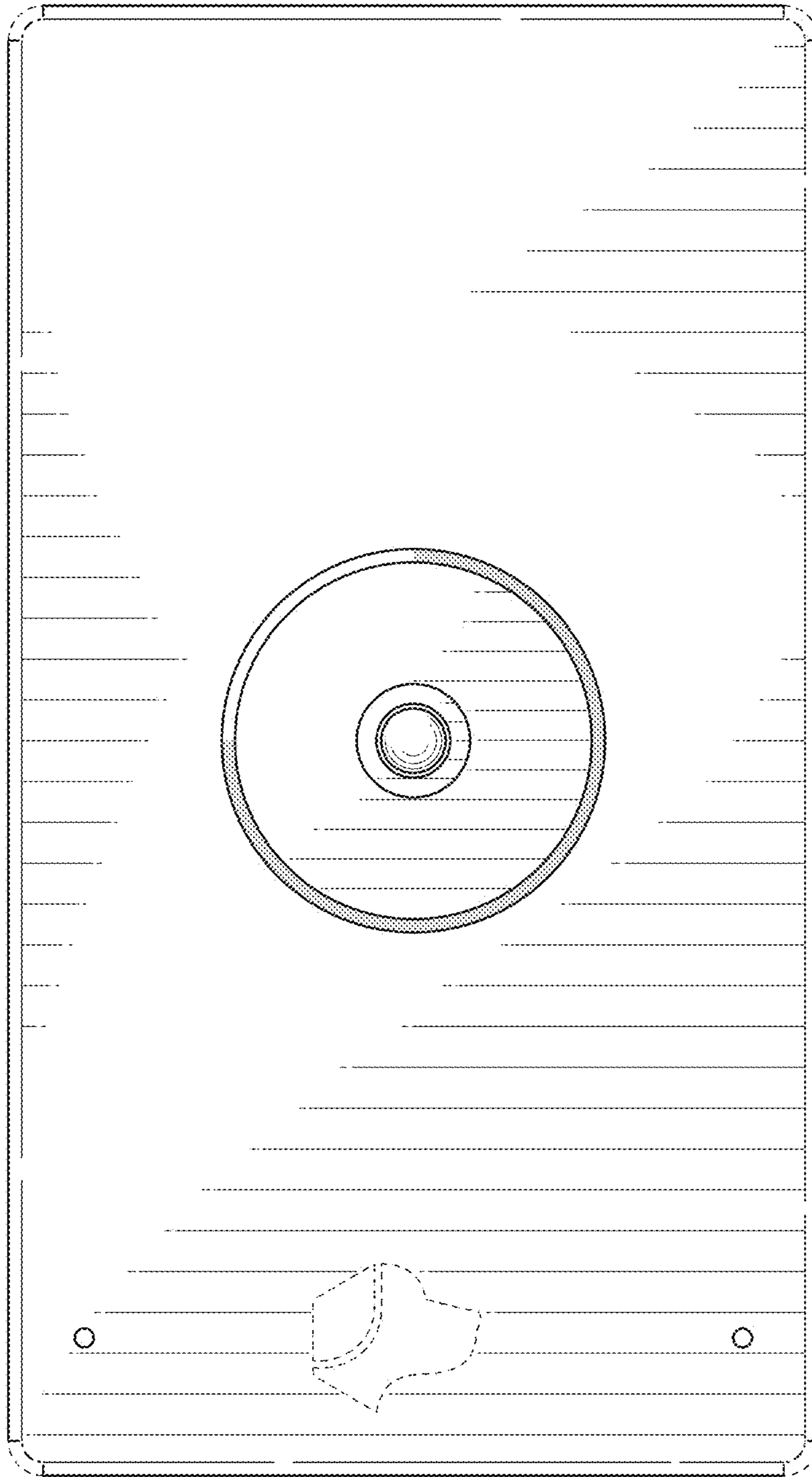


FIG. 6

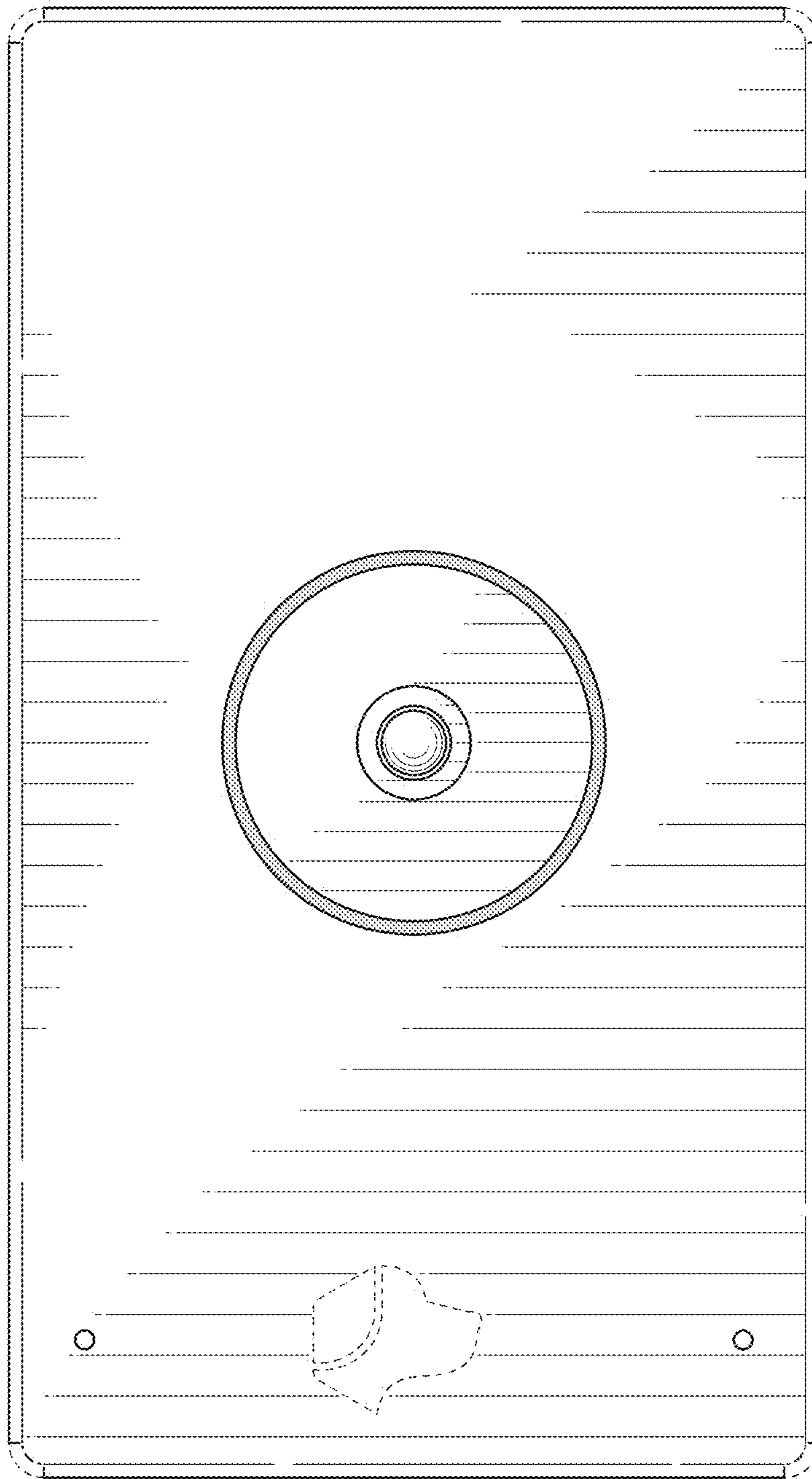


FIG. 7

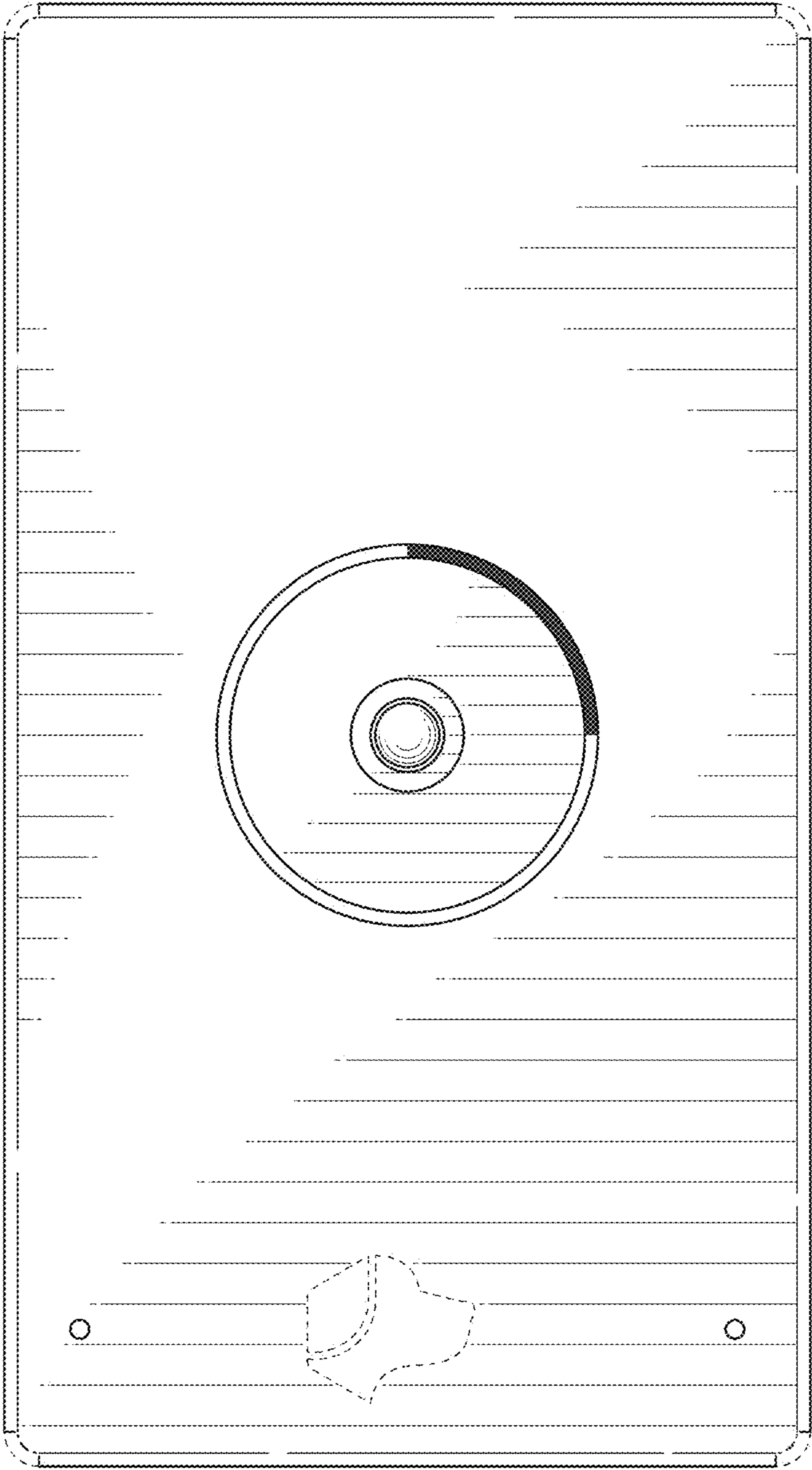


FIG. 8

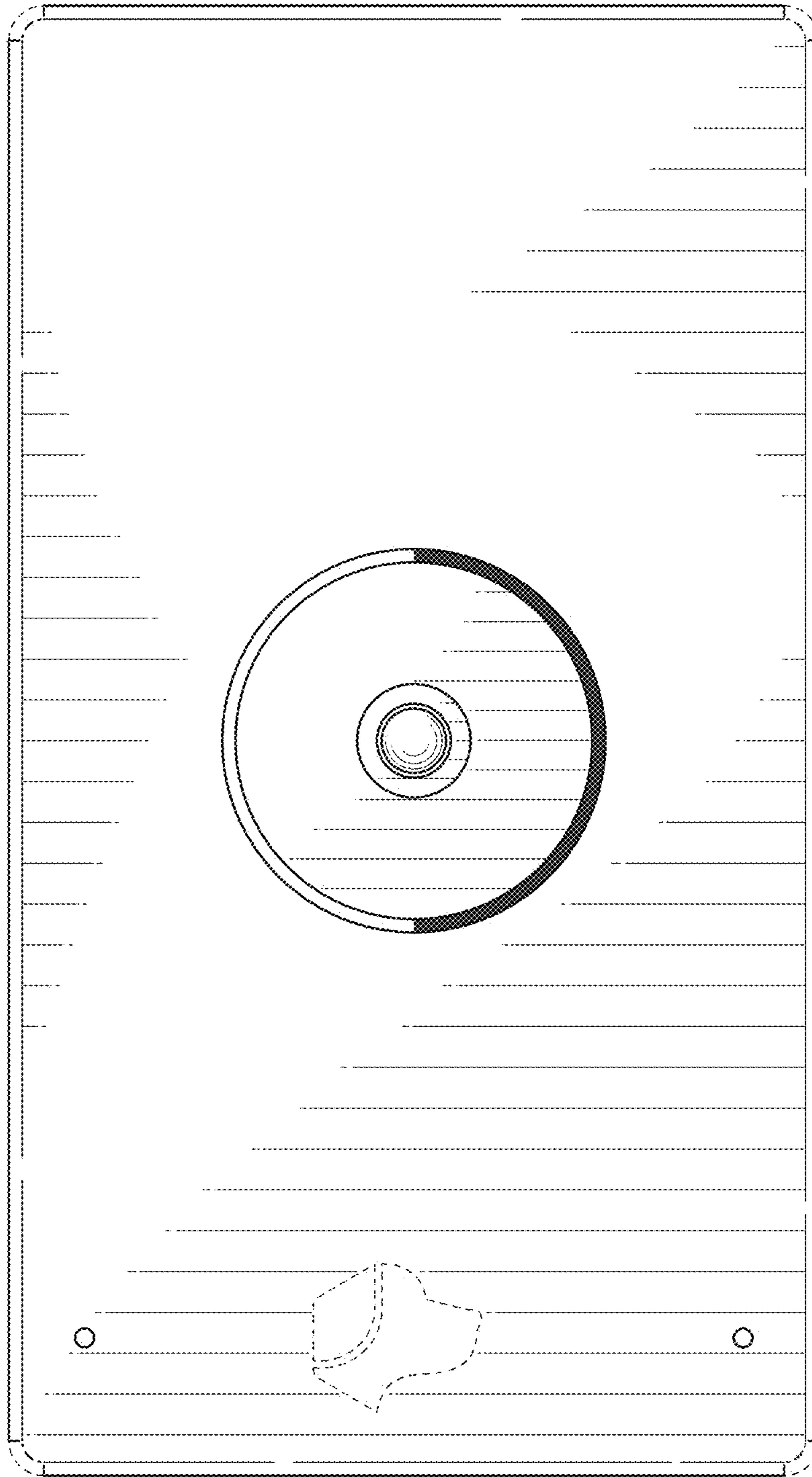


FIG. 9

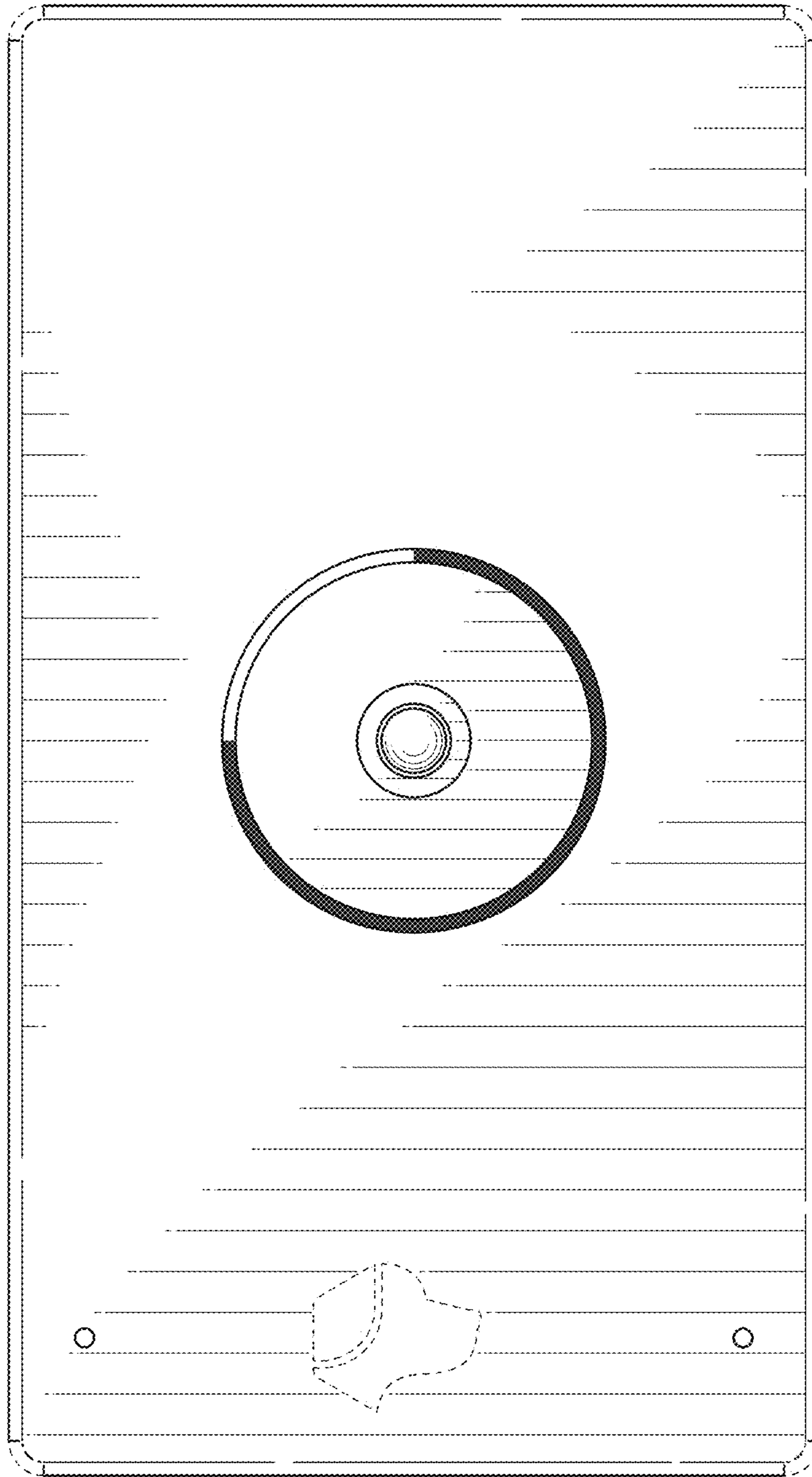


FIG. 10

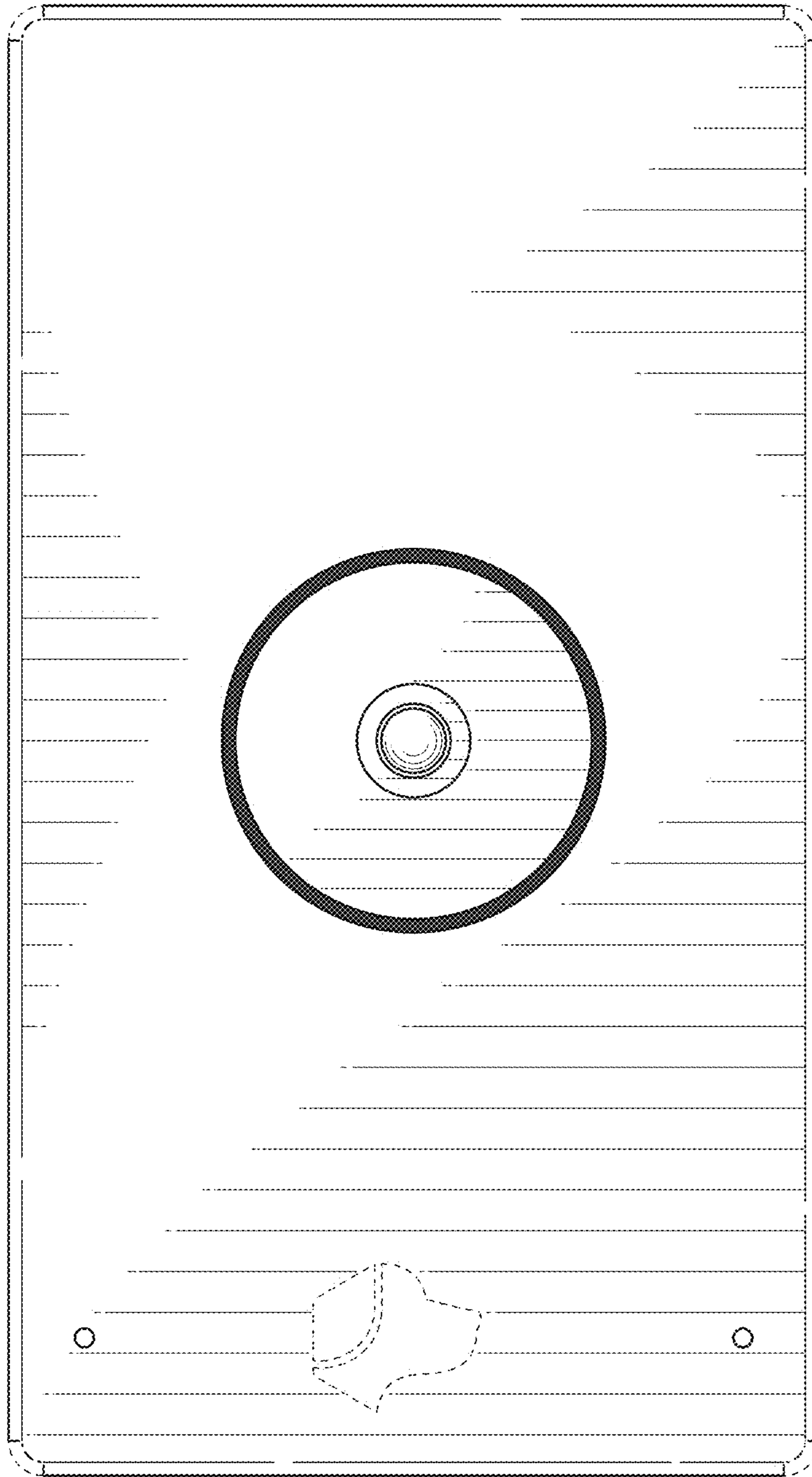


FIG. 11

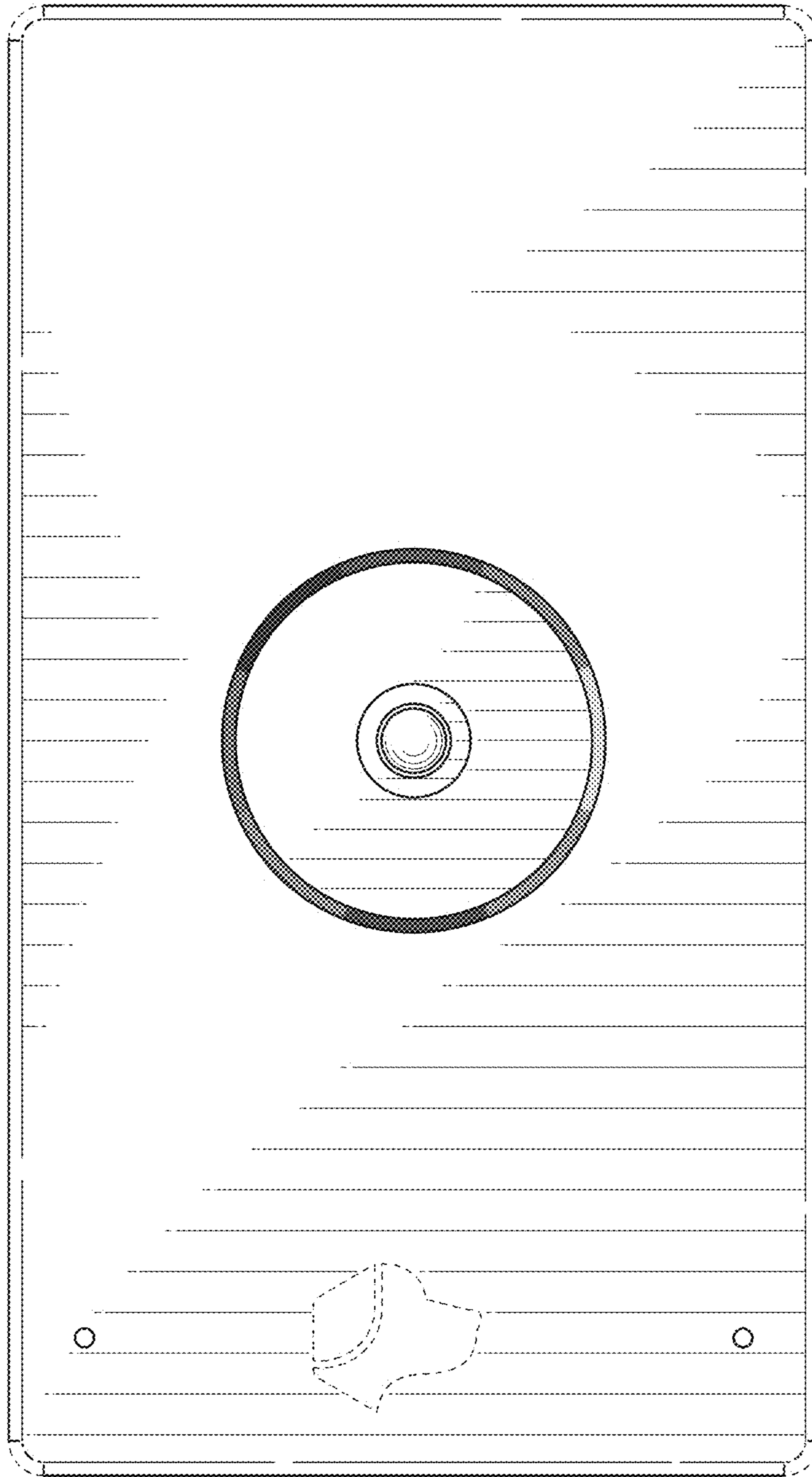


FIG. 12

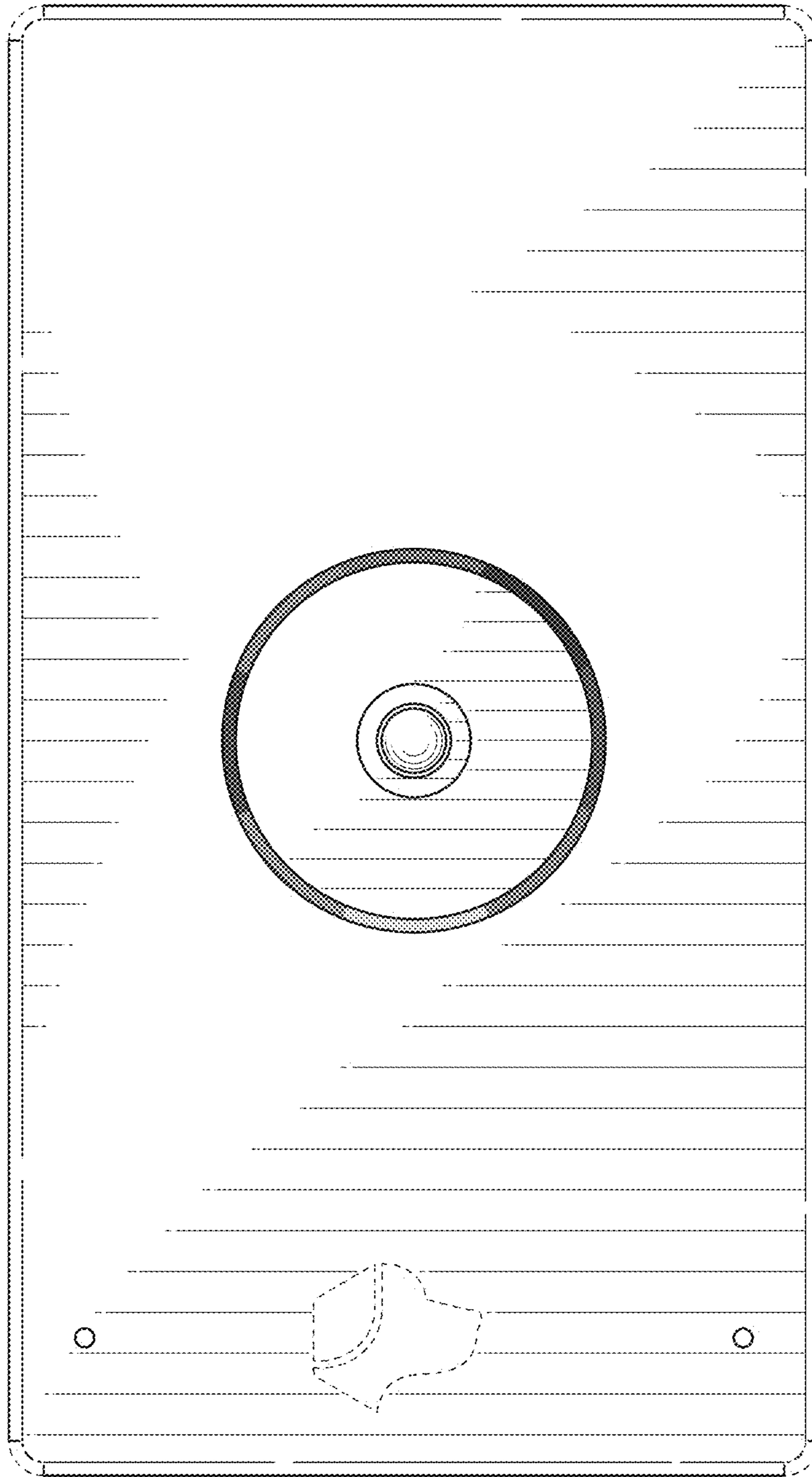


FIG. 13

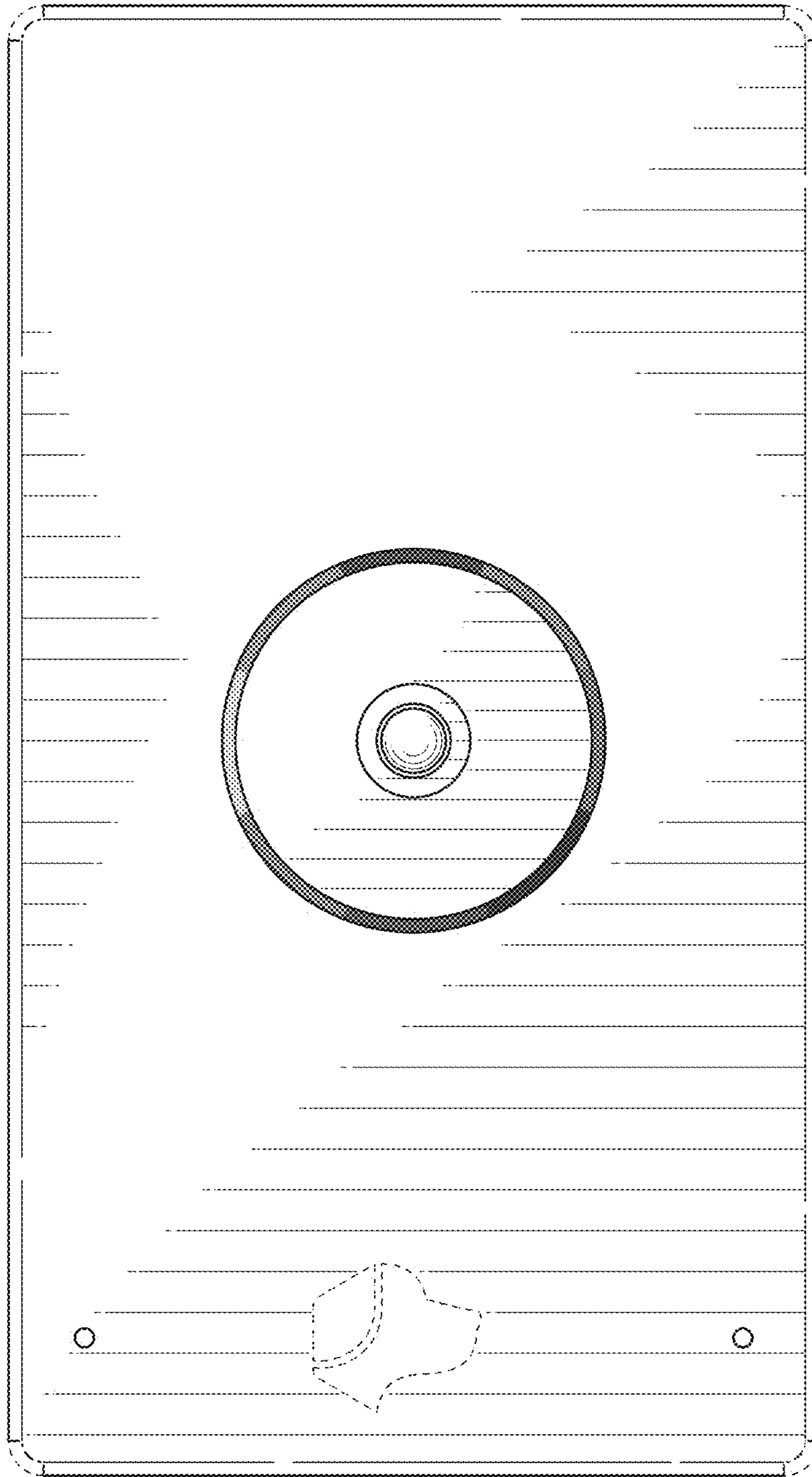


FIG. 14

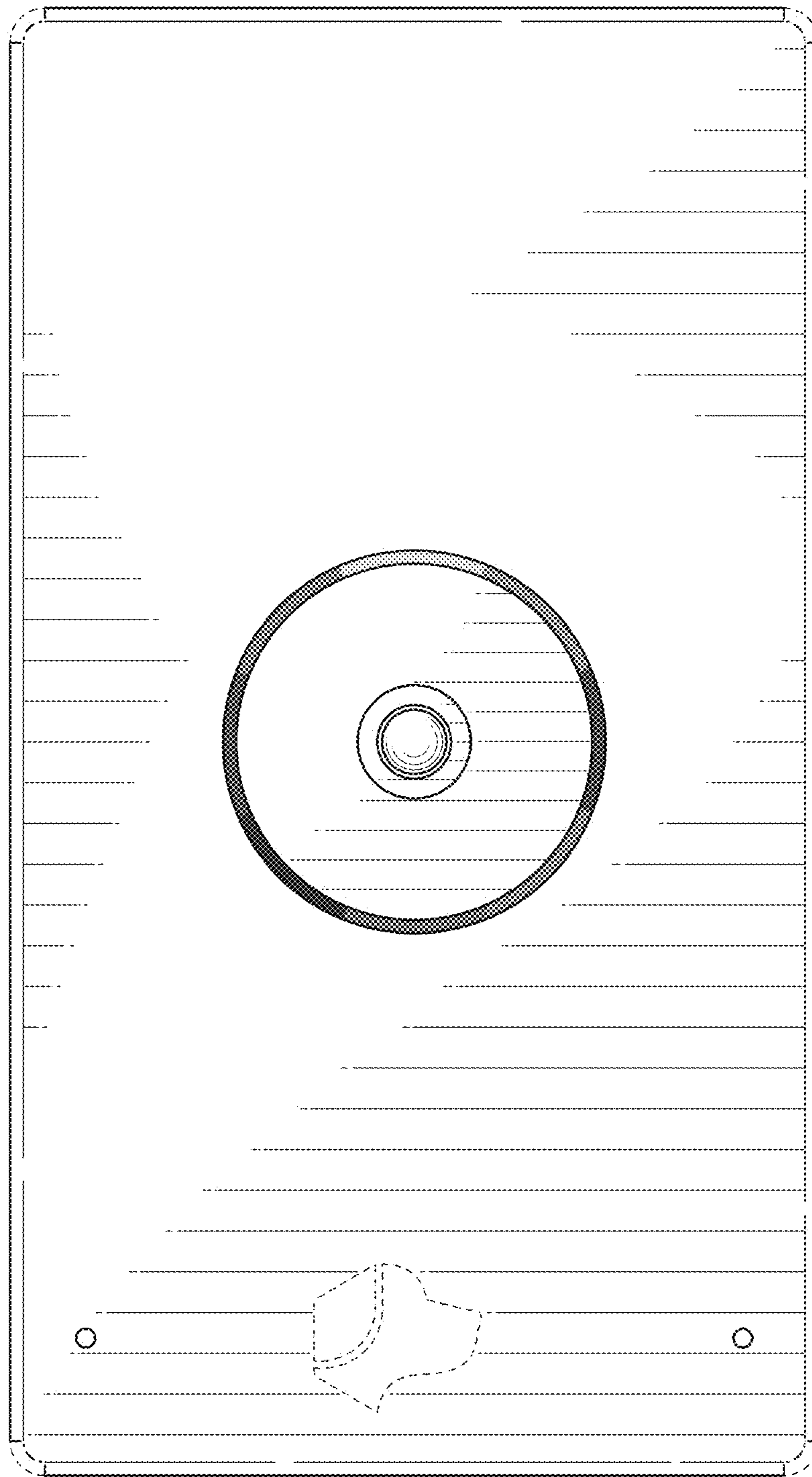


FIG. 15

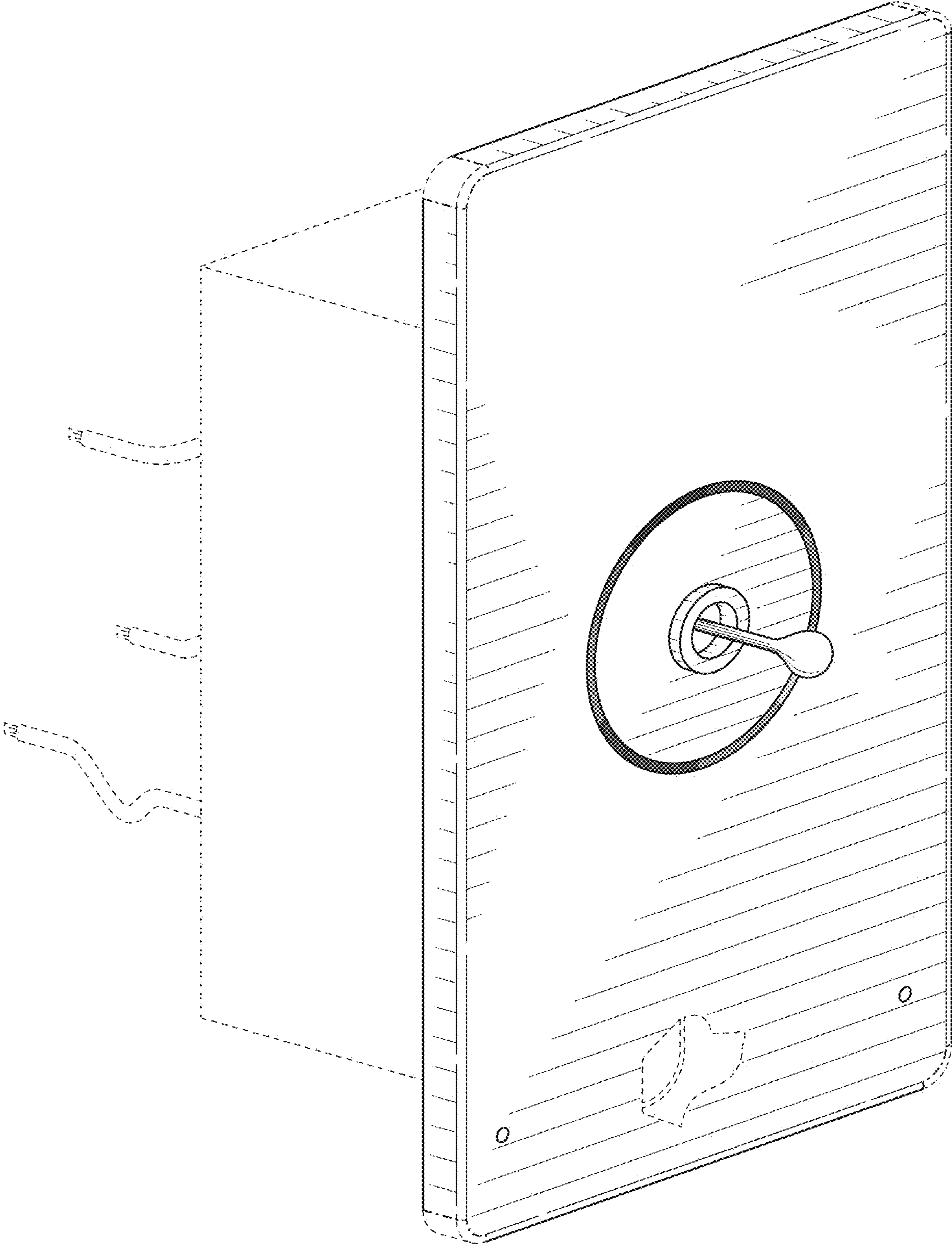


FIG. 16

UNITED STATES PATENT AND TRADEMARK OFFICE
CERTIFICATE OF CORRECTION

PATENT NO. : D897,972 S
APPLICATION NO. : 29/691540
DATED : October 6, 2020
INVENTOR(S) : Capecelatro et al.

Page 1 of 1

It is certified that error appears in the above-identified patent and that said Letters Patent is hereby corrected as shown below:

On the Title Page

Item [57]:

Column 1, Line 2, claim, after "ring", delete ",".

Column 2, Line 40, delete "state; and," and insert --state.--, therefor.

Signed and Sealed this
Thirteenth Day of July, 2021



Drew Hirshfeld
*Performing the Functions and Duties of the
Under Secretary of Commerce for Intellectual Property and
Director of the United States Patent and Trademark Office*