



US00D897971S

(12) **United States Design Patent**
Chen

(10) **Patent No.:** **US D897,971 S**
(45) **Date of Patent:** **** Oct. 6, 2020**

- (54) **HANDHELD CONTROLLER**
- (71) Applicant: **TIMOTION TECHNOLOGY CO., LTD.**, New Taipei (TW)
- (72) Inventor: **Yi-Chun Chen**, New Taipei (TW)
- (73) Assignee: **TIMOTION TECHNOLOGY CO., LTD.**, New Taipei (TW)
- (**) Term: **15 Years**
- (21) Appl. No.: **29/694,558**
- (22) Filed: **Jun. 11, 2019**
- (51) **LOC (12) Cl.** **14-03**
- (52) **U.S. Cl.**
USPC **D13/168**
- (58) **Field of Classification Search**
USPC D13/168; D14/218; D24/200
CPC .. A47C 31/008; A61G 13/02; G07C 9/00944;
G08C 17/00; G08C 17/02; H04B 1/202;
H01H 9/02; H01H 9/0214; H01H 9/0235;
H01H 9/0242
See application file for complete search history.

- D879,054 S * 3/2020 Shen D13/168
- D881,141 S * 4/2020 Chen D13/168
- D883,236 S * 5/2020 Thomsen D13/168
- 2010/0213042 A1 * 8/2010 Smidt H01H 9/0228
200/5 A
- 2019/0374039 A1 * 12/2019 Hosokawa A47C 31/008
- 2020/0178702 A1 * 6/2020 Shiino G05B 15/02
- 2020/0197255 A1 * 6/2020 Bae A47C 7/72

* cited by examiner

Primary Examiner — Selina Sikder

(74) *Attorney, Agent, or Firm* — Chun-Ming Shih; HDLS IPR Services

(57) **CLAIM**

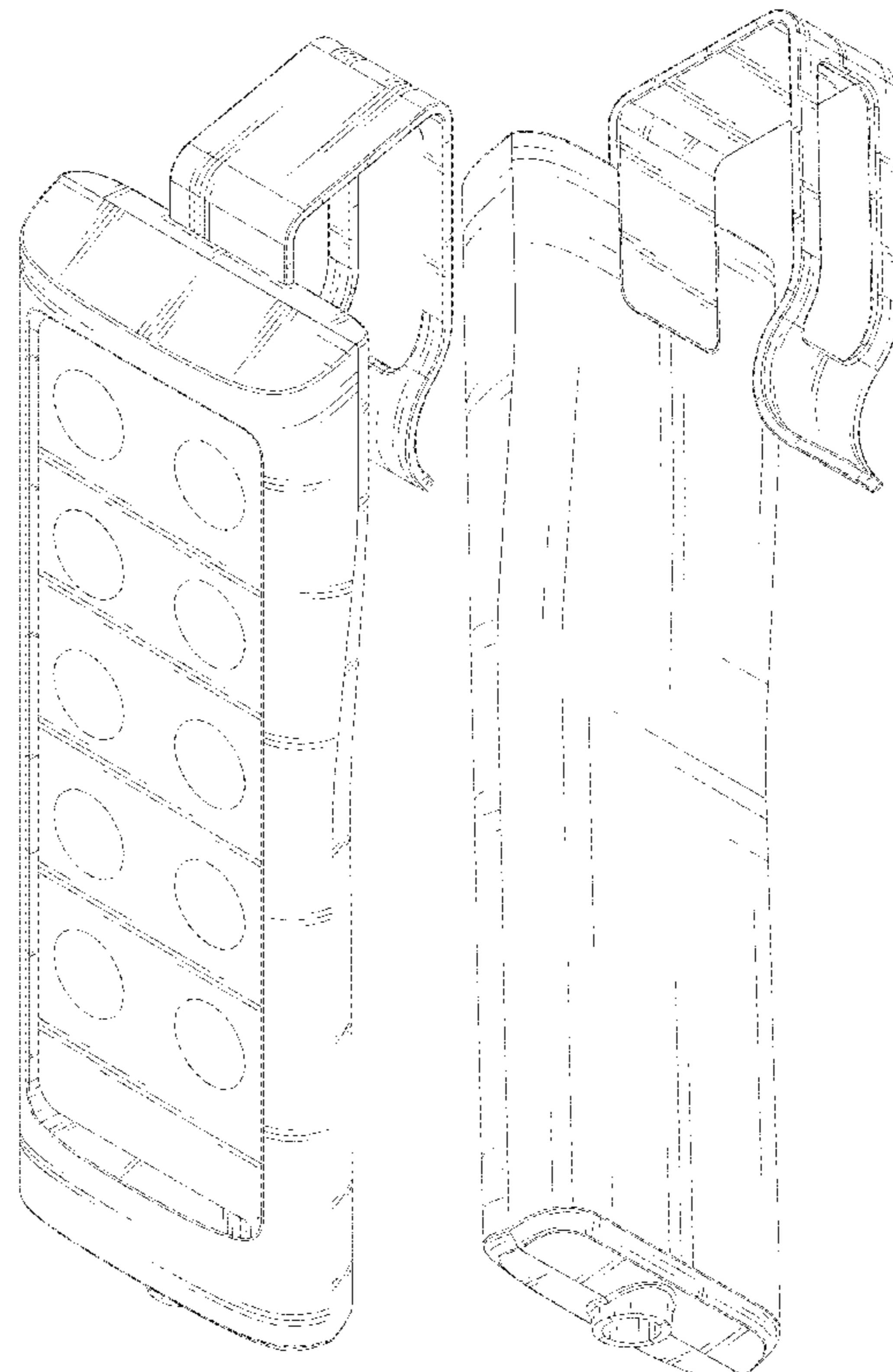
The ornamental design for a handheld controller, as shown and described.

DESCRIPTION

FIG. 1 is a perspective view of a handheld controller showing my new design;
 FIG. 2 is a front view thereof;
 FIG. 3 is a rear view thereof;
 FIG. 4 is a left side view thereof;
 FIG. 5 is a right side view thereof;
 FIG. 6 is a top view thereof;
 FIG. 7 is a bottom view thereof; and,
 FIG. 8 is a second perspective view showing the handheld controller.
 The broken lines in the drawings illustrate portions of the handheld controller that form no part of the claimed design.

1 Claim, 8 Drawing Sheets

- (56) **References Cited**
U.S. PATENT DOCUMENTS
- D600,654 S * 9/2009 Liao D13/164
- D766,845 S * 9/2016 Gong D13/168
- D817,279 S * 5/2018 Lin D13/123
- D849,699 S * 5/2019 Shen D13/168
- D868,037 S * 11/2019 Zhuang D14/218



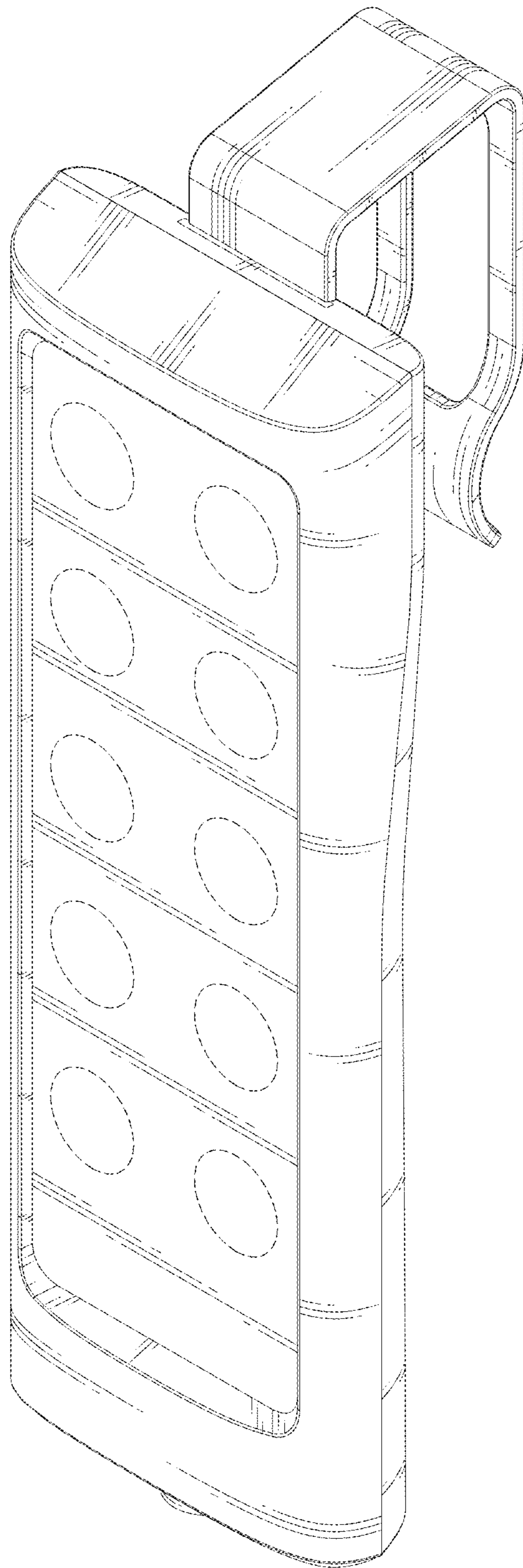


FIG. 1

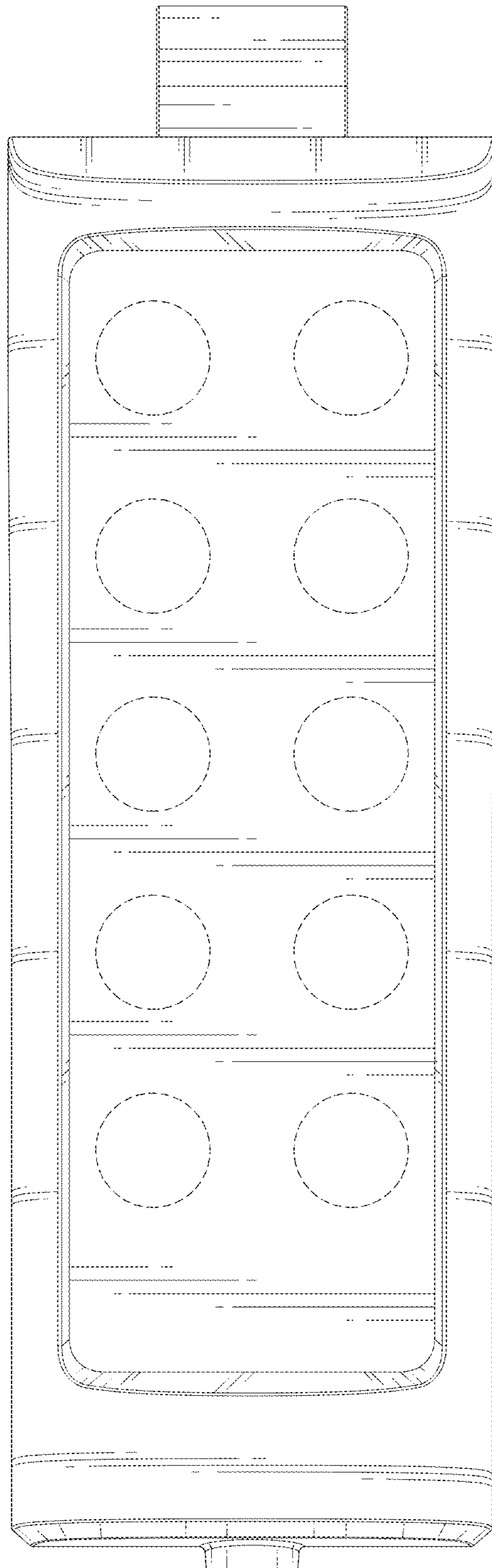


FIG.2

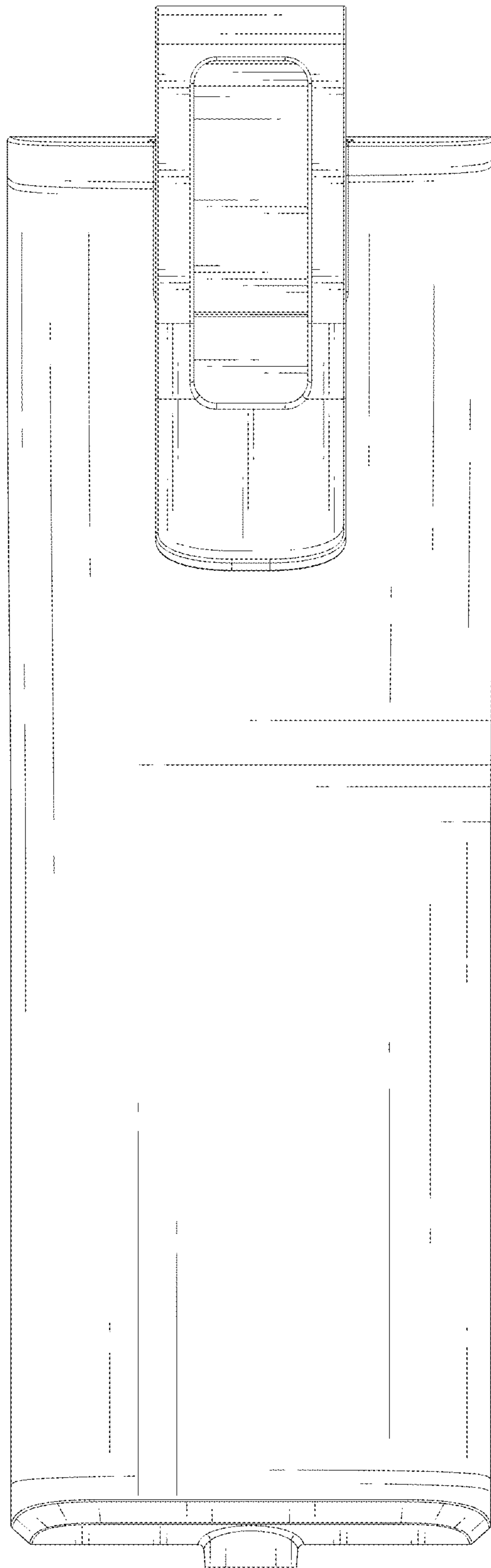


FIG.3

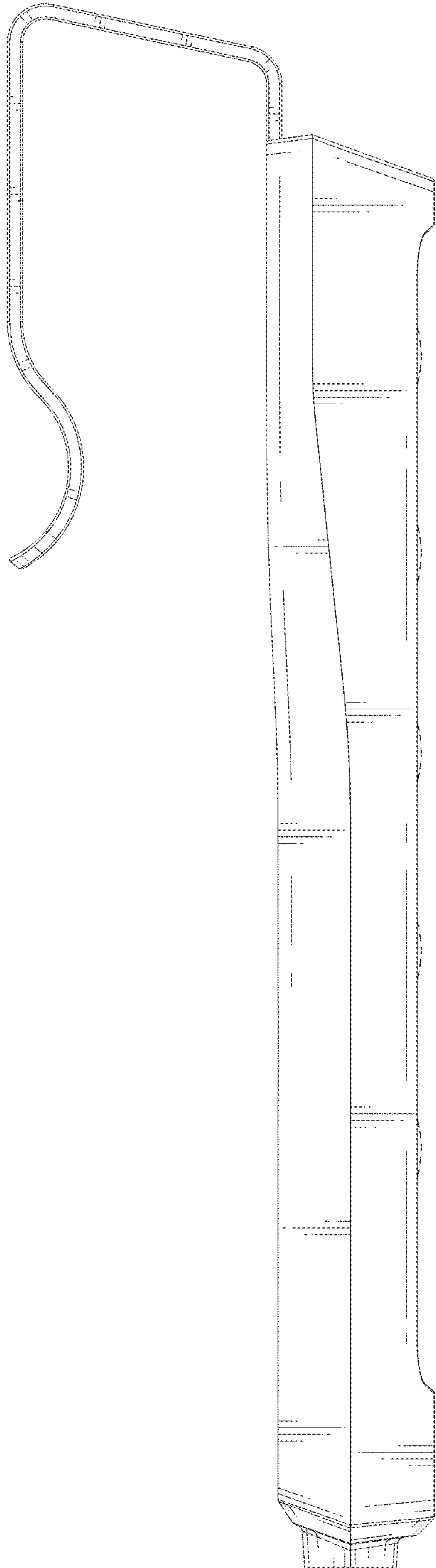


FIG.4

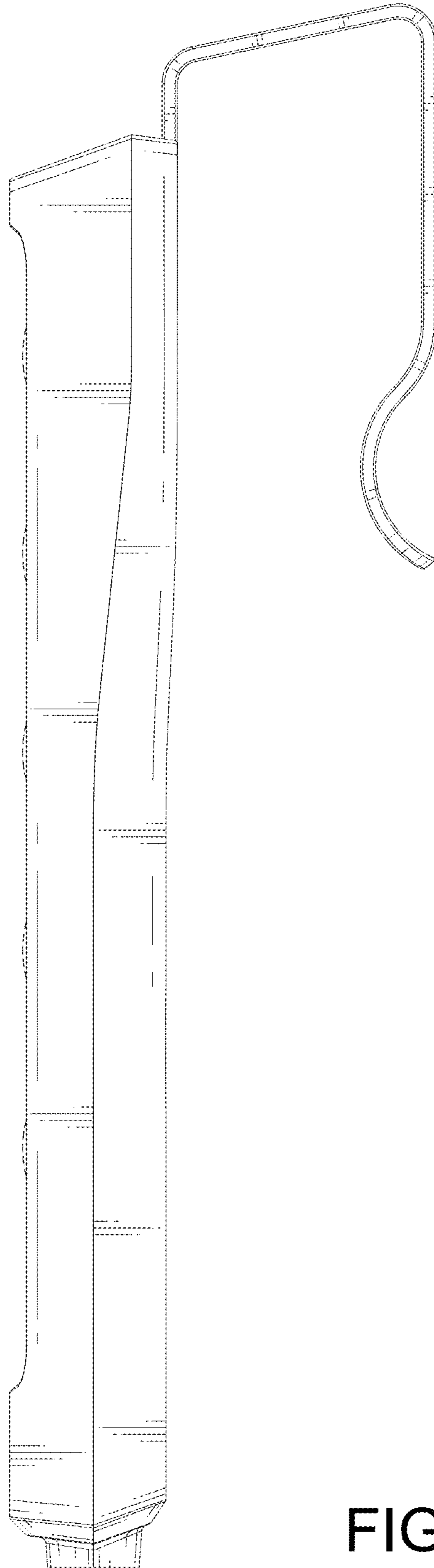


FIG.5

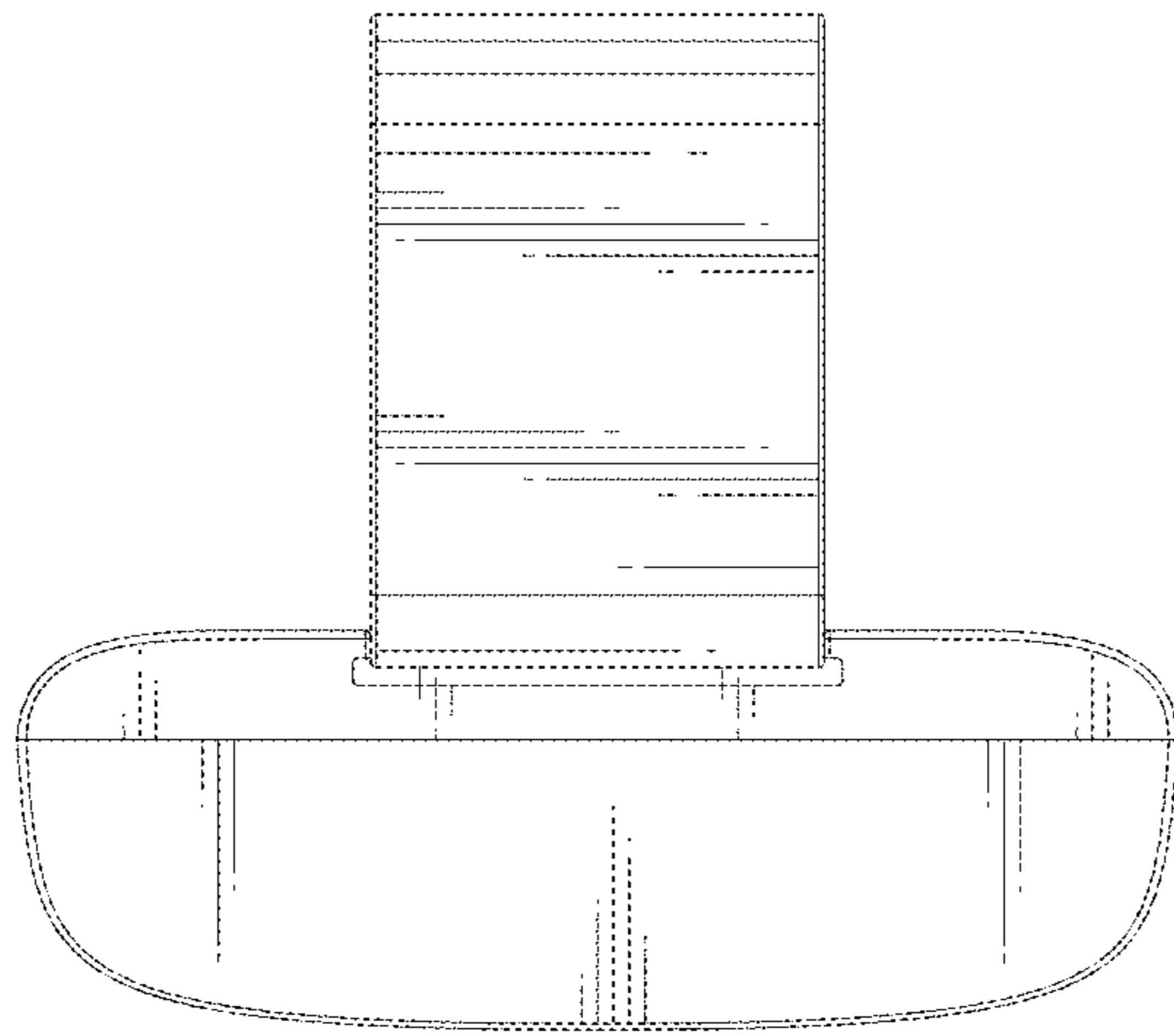


FIG.6

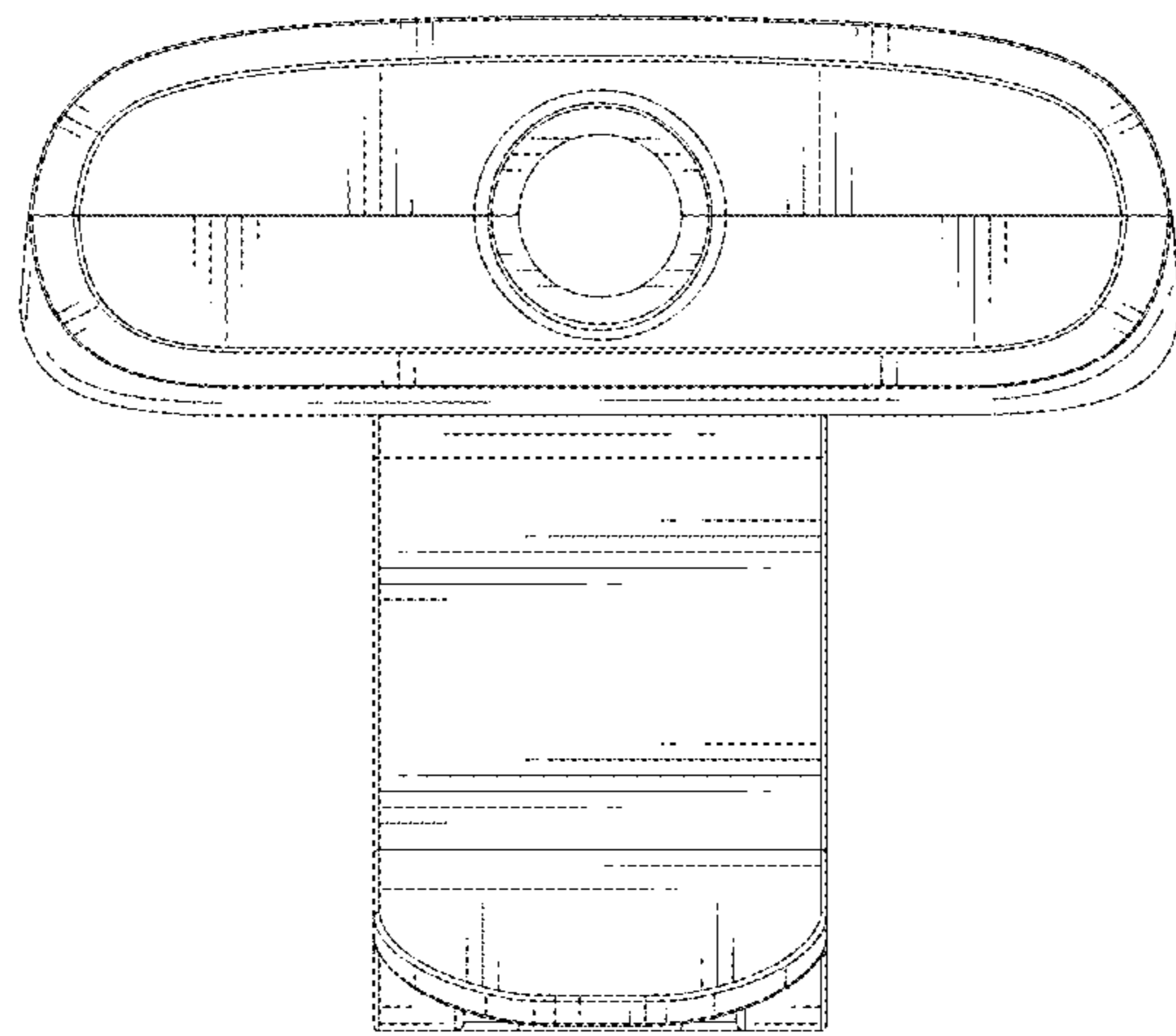


FIG.7

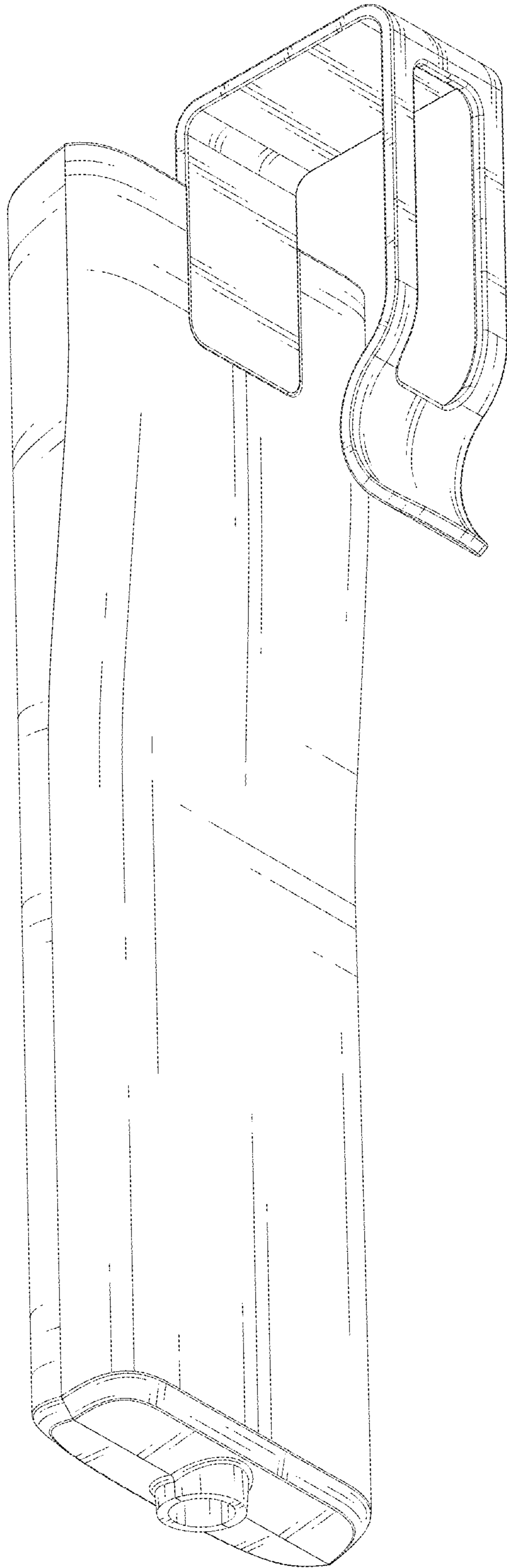


FIG.8