



US00D897962S

(12) **United States Design Patent** (10) **Patent No.:** **US D897,962 S**
Fukasawa et al. (45) **Date of Patent:** **** Oct. 6, 2020**

(54) **EDGE POWER UNIT**

(71) Applicant: **HERMAN MILLER, INC.**, Zeeland, MI (US)

(72) Inventors: **Naoto Fukasawa**, Tokyo (JP); **Keiji Takeuchi**, Milan (IT)

(73) Assignee: **HERMAN MILLER, INC.**, Zeeland, MI (US)

(**) Term: **15 Years**

(21) Appl. No.: **29/650,877**

(22) Filed: **Jun. 11, 2018**

(51) **LOC (12) Cl.** **13-03**

(52) **U.S. Cl.**
USPC **D13/139.4**; D13/133; D13/154

(58) **Field of Classification Search**
USPC D6/640, 641, 642, 643, 643.1, 644, 645, D6/647, 648, 649, 650, 652, 652.1, 652.2, D6/653, 653.1, 656.16, 656.17, 700, 706, D6/713, 714, 708.24; D13/133, 139.1, D13/139.4, 154
CPC . A47F 3/00; A47F 3/142; A47B 57/00; A47B 57/30; A47B 57/40; A47B 87/00; E04B 2/744; E04B 2/7407; E04B 2/7416; E04B 2002/7483

See application file for complete search history.

(56) **References Cited**

U.S. PATENT DOCUMENTS

2,226,209	A	12/1940	Rizzuto	
3,128,344	A	4/1964	Goold	
4,094,256	A	6/1978	Holper et al.	
4,500,150	A	2/1985	Leibensperger et al.	
D330,006	S *	10/1992	Kamakura	D13/123
D360,871	S *	8/1995	Wilson	D13/133
D360,872	S *	8/1995	Wilson	D13/133
D407,369	S *	3/1999	Cormack	D13/133
6,202,568	B1	3/2001	Kochanski et al.	

6,327,983	B1	12/2001	Cronk et al.	
6,526,895	B1	3/2003	Kochanski et al.	
6,629,505	B1	10/2003	Cronk et al.	
6,848,369	B1	2/2005	King et al.	
6,885,796	B2	4/2005	Lubkert et al.	
D524,744	S *	7/2006	Lai	D13/133

(Continued)

FOREIGN PATENT DOCUMENTS

WO	1999016157	4/1999
WO	2003079850	10/2003

(Continued)

OTHER PUBLICATIONS

AXON, posted at Keijitakeuchi.com, posted in 2018, site visited Nov. 5, 2019. online, available from the internet: <http://www.keijitakeuchi.com/GEIGER02.html> (Year: 2018).*

Primary Examiner — Mary Ann Calabrese

Assistant Examiner — Catherine Ho

(74) *Attorney, Agent, or Firm* — Michael Best & Friedrich LLP

(57) **CLAIM**

We claim the ornamental design for an edge power unit, as shown and described.

DESCRIPTION

FIG. 1 is a perspective view of an edge power unit, showing our new design

FIG. 2 is a top view thereof;

FIG. 3 is a bottom view thereof;

FIG. 4 is a first side view thereof;

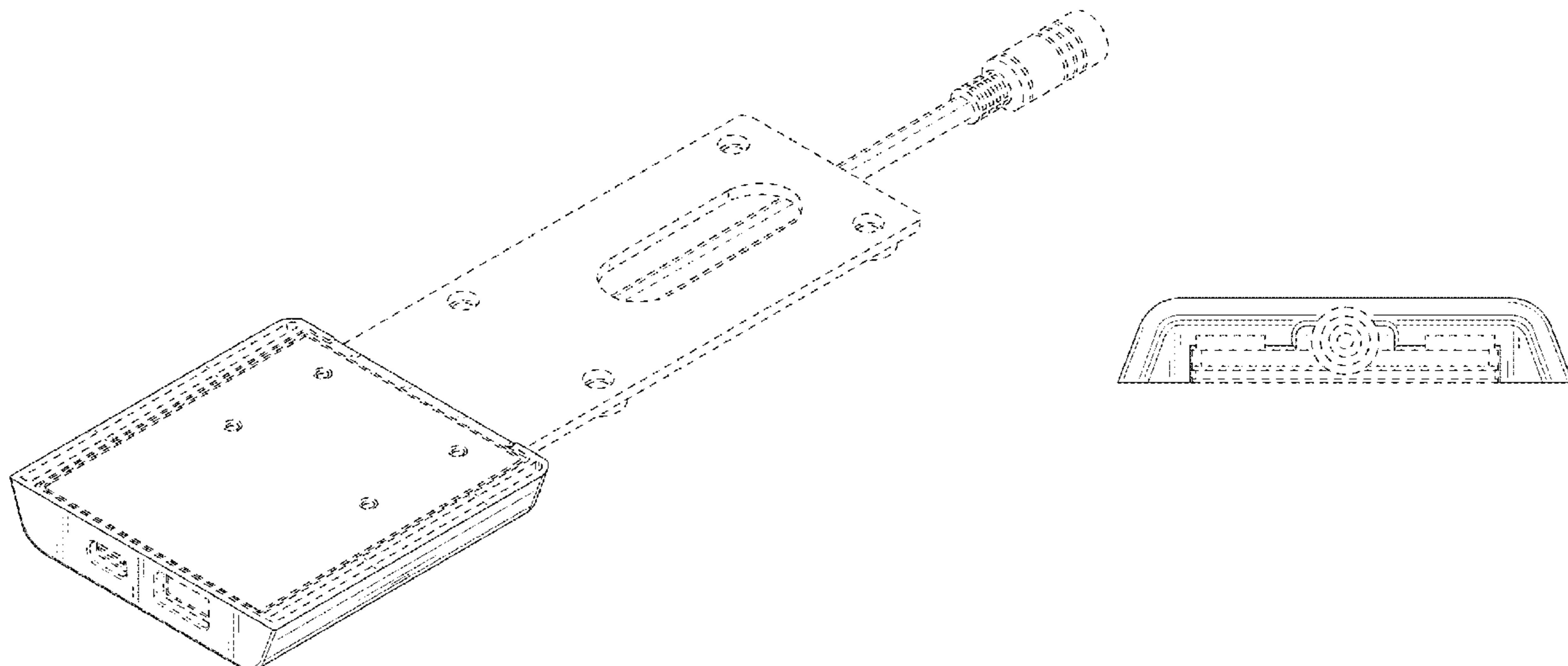
FIG. 5 is a second side view thereof;

FIG. 6 is a first end view thereof; and,

FIG. 7 is a second end view.

The broken line portion of the figure drawings is included to show portions of the article that form no part of the claimed design.

1 Claim, 7 Drawing Sheets



(56)

References Cited

U.S. PATENT DOCUMENTS

7,083,421 B1 8/2006 Mori
 D552,033 S * 10/2007 Nishio D13/133
 D574,772 S * 8/2008 Sutter D13/133
 D579,880 S * 11/2008 Birmingham D13/133
 D615,492 S * 5/2010 Mibayashi D13/110
 8,146,514 B2 * 4/2012 Hamilton A47B 13/06
 108/50.02
 8,161,890 B2 4/2012 Wang
 D686,988 S * 7/2013 Fawkes D13/110
 8,664,527 B2 3/2014 Ruotsala
 9,089,209 B2 7/2015 Matthai et al.
 9,271,568 B2 3/2016 Schiavello et al.
 D758,773 S * 6/2016 Kim D6/672
 9,456,686 B2 10/2016 Epstein et al.
 D778,652 S * 2/2017 Siebert D6/707.15
 9,614,338 B2 4/2017 Alexander et al.
 9,635,931 B2 5/2017 Mandon et al.
 D821,328 S * 6/2018 Byrne D13/139.4
 D831,392 S * 10/2018 Mainzer D6/691.5
 D840,347 S * 2/2019 Byrne D13/139.4
 D856,284 S * 8/2019 Byrne D13/139.4
 2003/0186582 A1 10/2003 Laukhuf et al.
 2005/0268823 A1 * 12/2005 Bakker A47B 21/06
 108/50.02
 2007/0251428 A1 * 11/2007 Mead A47B 13/02
 108/50.02
 2007/0277710 A1 * 12/2007 Gray A47B 13/003
 108/153.1

2008/0061662 A1 3/2008 Lin
 2009/0165679 A1 * 7/2009 Bakker A47B 21/06
 108/50.02
 2009/0165680 A1 * 7/2009 Bakker A47B 21/06
 108/50.02
 2010/0133208 A1 6/2010 Seo
 2011/0197794 A1 8/2011 Nunes
 2012/0097418 A1 * 4/2012 Ruotsala H02G 11/00
 174/60
 2013/0081559 A1 * 4/2013 Roh A47B 97/00
 108/50.02
 2013/0207478 A1 * 8/2013 Metcalf A47C 7/70
 307/104
 2014/0060395 A1 * 3/2014 Ruiter A47B 13/081
 108/50.02
 2017/0046289 A1 2/2017 Hundal et al.
 2017/0317458 A1 11/2017 Byrne et al.
 2018/0084904 A1 3/2018 Gosling et al.
 2018/0116392 A1 5/2018 Brandenburg

FOREIGN PATENT DOCUMENTS

WO 2003107159 12/2003
 WO 2008151002 12/2008
 WO 2008154021 12/2008
 WO 2008154025 12/2008
 WO 2009035784 3/2009
 WO 2013116909 8/2013
 WO 2015171731 11/2015
 WO 2018052282 3/2018

* cited by examiner

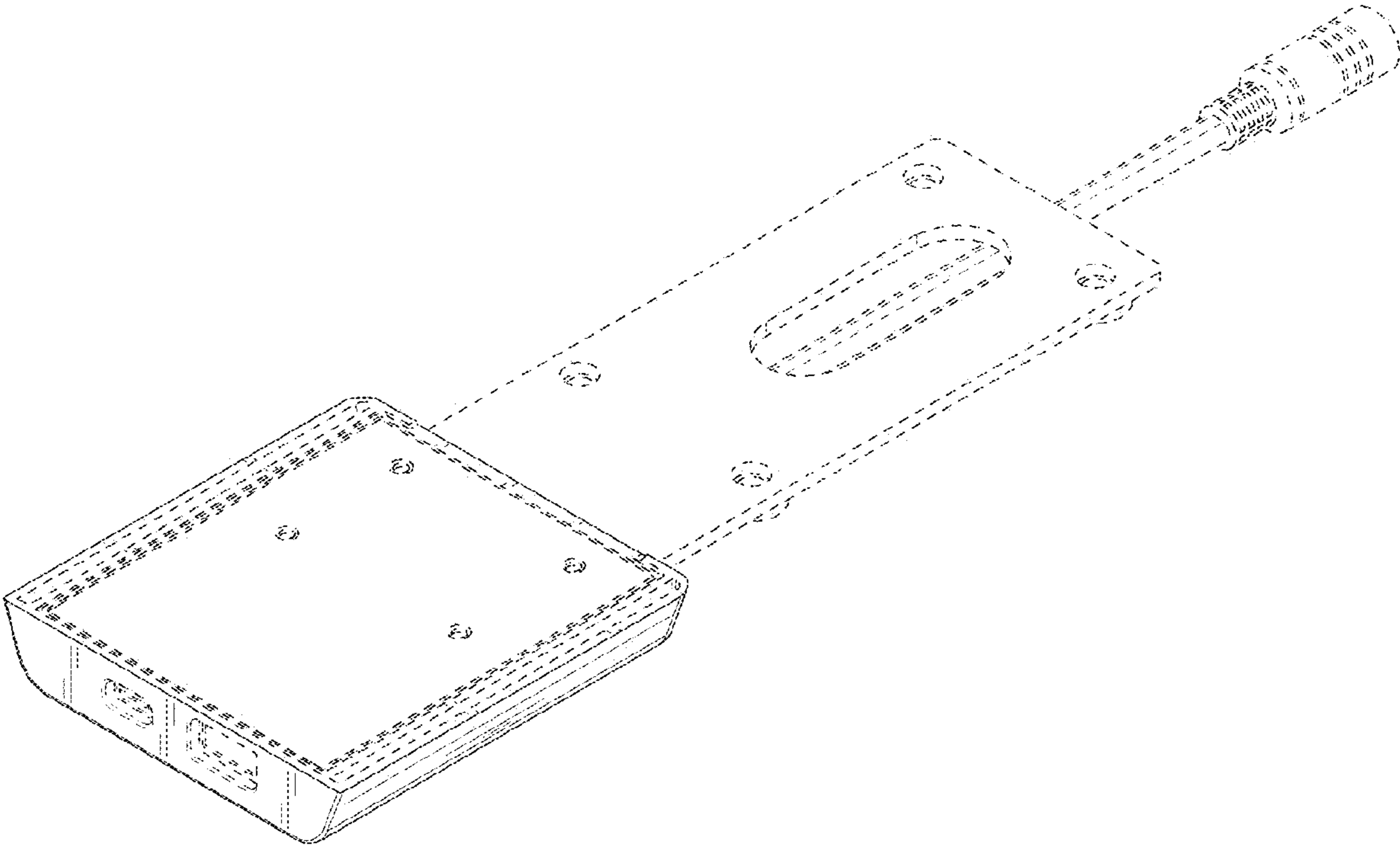


FIG. 1

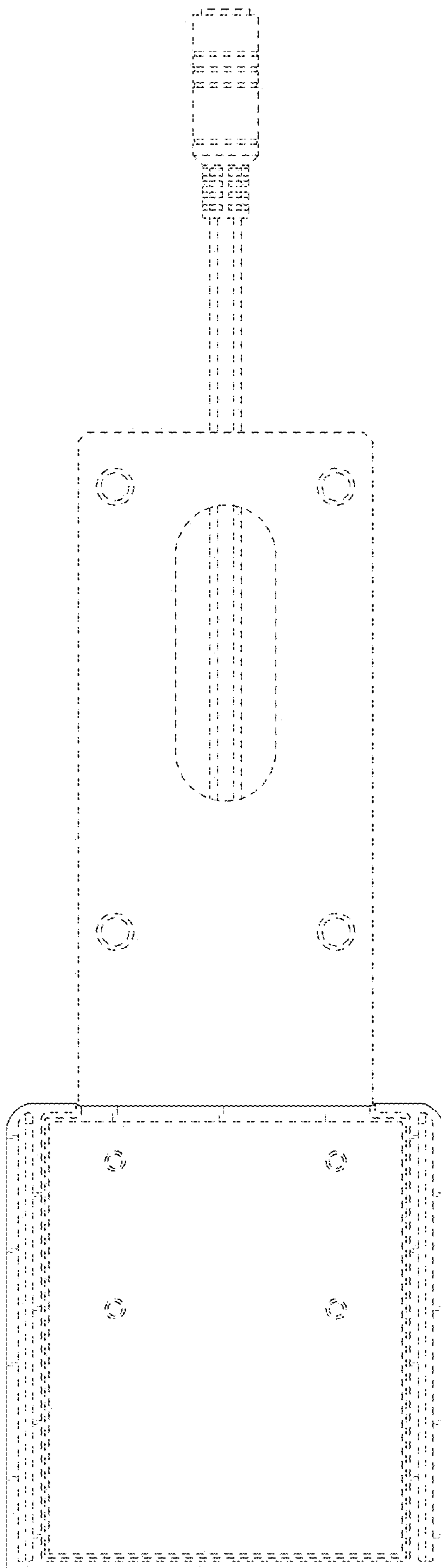


FIG. 2

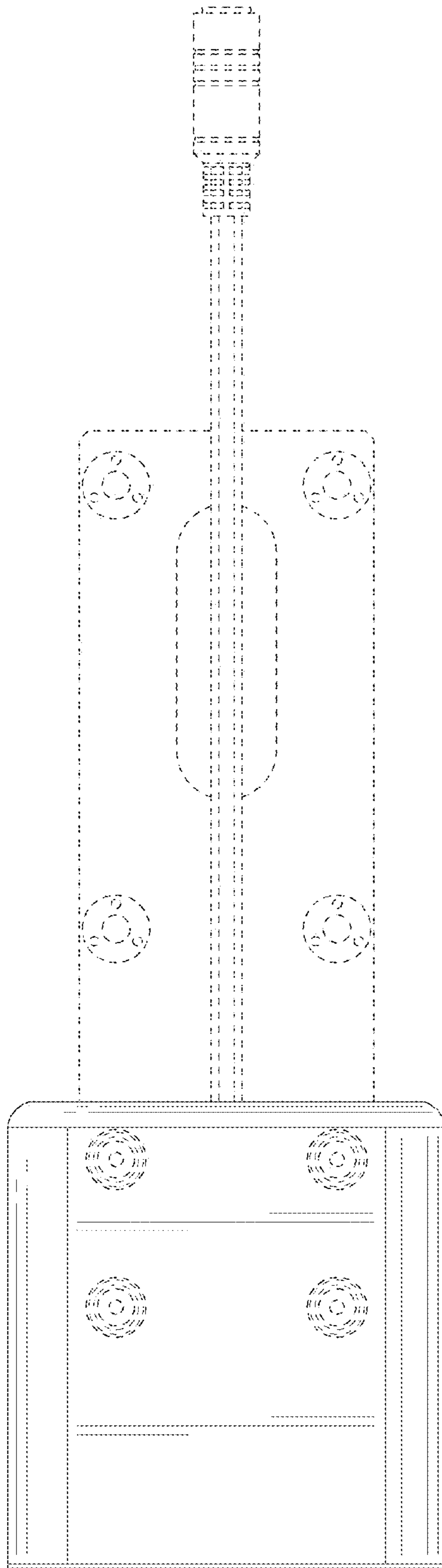


FIG. 3

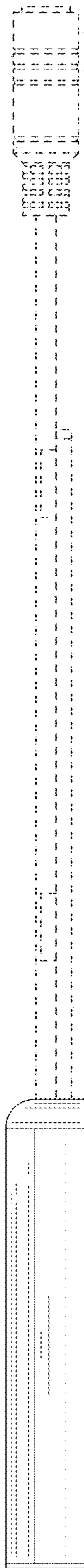


FIG. 4

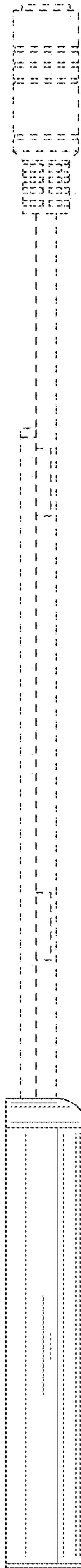


FIG. 5



FIG. 6

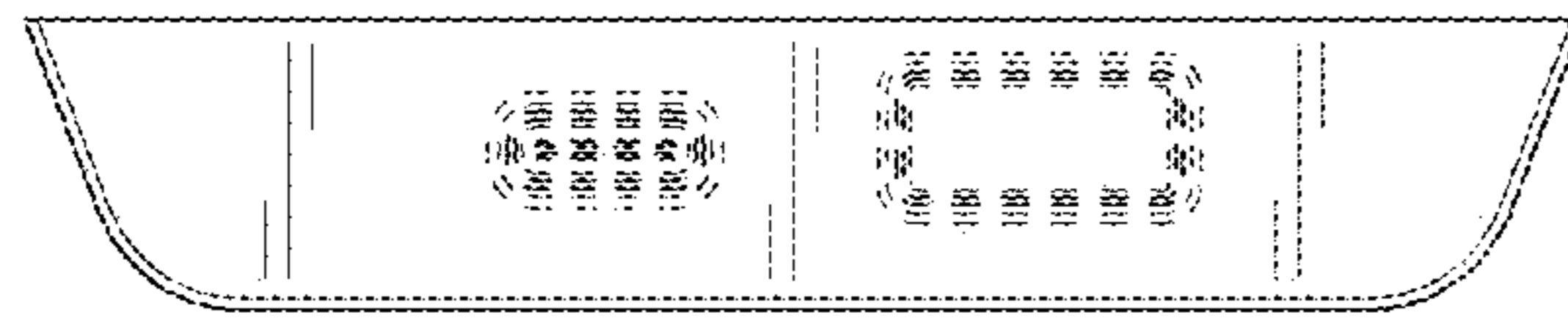


FIG. 7