



US00D897959S

(12) **United States Design Patent**  
**Gadmer et al.**

(10) **Patent No.:** **US D897,959 S**

(45) **Date of Patent:** **\*\* Oct. 6, 2020**

(54) **CONNECTING PLUG FOR A FIBER OPTIC CABLE END**

(71) Applicant: **HUBER+SUHNER AG**, Herisau (CH)

(72) Inventors: **Laif Gadmer**, Uzwil (CH); **Dirk Duhm**, Flawil (CH)

(\*\*) Term: **15 Years**

(21) Appl. No.: **35/505,855**

(22) Filed: **Apr. 6, 2018**

(80) **Hague Agreement Data**

Int. Filing Date: **Apr. 6, 2018**

Int. Reg. No.: **DM/100560**

Int. Reg. Date: **Apr. 6, 2018**

Int. Reg. Pub. Date: **Oct. 12, 2018**

(51) **LOC (12) Cl.** ..... **13-03**

(52) **U.S. Cl.**  
USPC ..... **D13/133; D13/154**

(58) **Field of Classification Search**  
USPC ..... D13/133, 154; D14/205, 223, 224, 433  
CPC ..... G02B 6/3893; G02B 6/3849  
See application file for complete search history.

(56) **References Cited**

U.S. PATENT DOCUMENTS

|           |      |         |           |       |             |         |
|-----------|------|---------|-----------|-------|-------------|---------|
| 5,845,036 | A *  | 12/1998 | De Marchi | ..... | G02B 6/3825 | 385/139 |
| 7,052,186 | B1 * | 5/2006  | Bates     | ..... | G02B 6/3879 | 385/139 |
| 7,283,718 | B2 * | 10/2007 | Zaina     | ..... | G02B 6/3849 | 385/139 |
| D619,100  | S *  | 7/2010  | Larson    | ..... | D13/154     |         |
| 8,221,007 | B2 * | 7/2012  | Peterhans | ..... | G02B 6/3893 | 385/53  |
| 8,942,532 | B2 * | 1/2015  | Greub     | ..... | G02B 6/3879 | 385/139 |
| 9,448,370 | B2 * | 9/2016  | Xue       | ..... | G02B 6/38   |         |

|              |      |         |                |       |              |         |
|--------------|------|---------|----------------|-------|--------------|---------|
| 9,557,496    | B2 * | 1/2017  | Irwin          | ..... | G02B 6/3879  |         |
| 9,739,955    | B2 * | 8/2017  | Lee            | ..... | G02B 6/3893  |         |
| 9,759,869    | B2 * | 9/2017  | Verheyden      | ..... | G02B 6/3809  |         |
| 9,761,998    | B2 * | 9/2017  | De Dios Martin | ..... | H01R 13/6272 |         |
| 9,825,403    | B2 * | 11/2017 | De Dios Martin | ..    | H01R 13/633  |         |
| D830,304     | S *  | 10/2018 | Choi           | ..... | D13/133      |         |
| 10,120,138   | B2 * | 11/2018 | Jones          | ..... | G02B 6/3825  |         |
| 10,281,669   | B2 * | 5/2019  | Takano         | ..... | G02B 6/4292  |         |
| 10,305,222   | B2 * | 5/2019  | Haller         | ..... | G02B 6/3821  |         |
| 2004/0234207 | A1 * | 11/2004 | Holmquist      | ..... | G02B 6/3807  | 385/75  |
| 2004/0247252 | A1 * | 12/2004 | Ehrenreich     | ..... | G02B 6/3893  | 385/58  |
| 2006/0013539 | A1 * | 1/2006  | Thaler         | ..... | G02B 6/3807  | 385/76  |
| 2007/0047877 | A1 * | 3/2007  | Pepe           | ..... | G02B 6/3879  | 385/86  |
| 2010/0284656 | A1 * | 11/2010 | Morra          | ..... | G02B 6/3829  | 385/78  |
| 2011/0003501 | A1 * | 1/2011  | Greub          | ..... | G02B 6/3897  | 439/359 |

(Continued)

*Primary Examiner* — Nathaniel D. Buckner

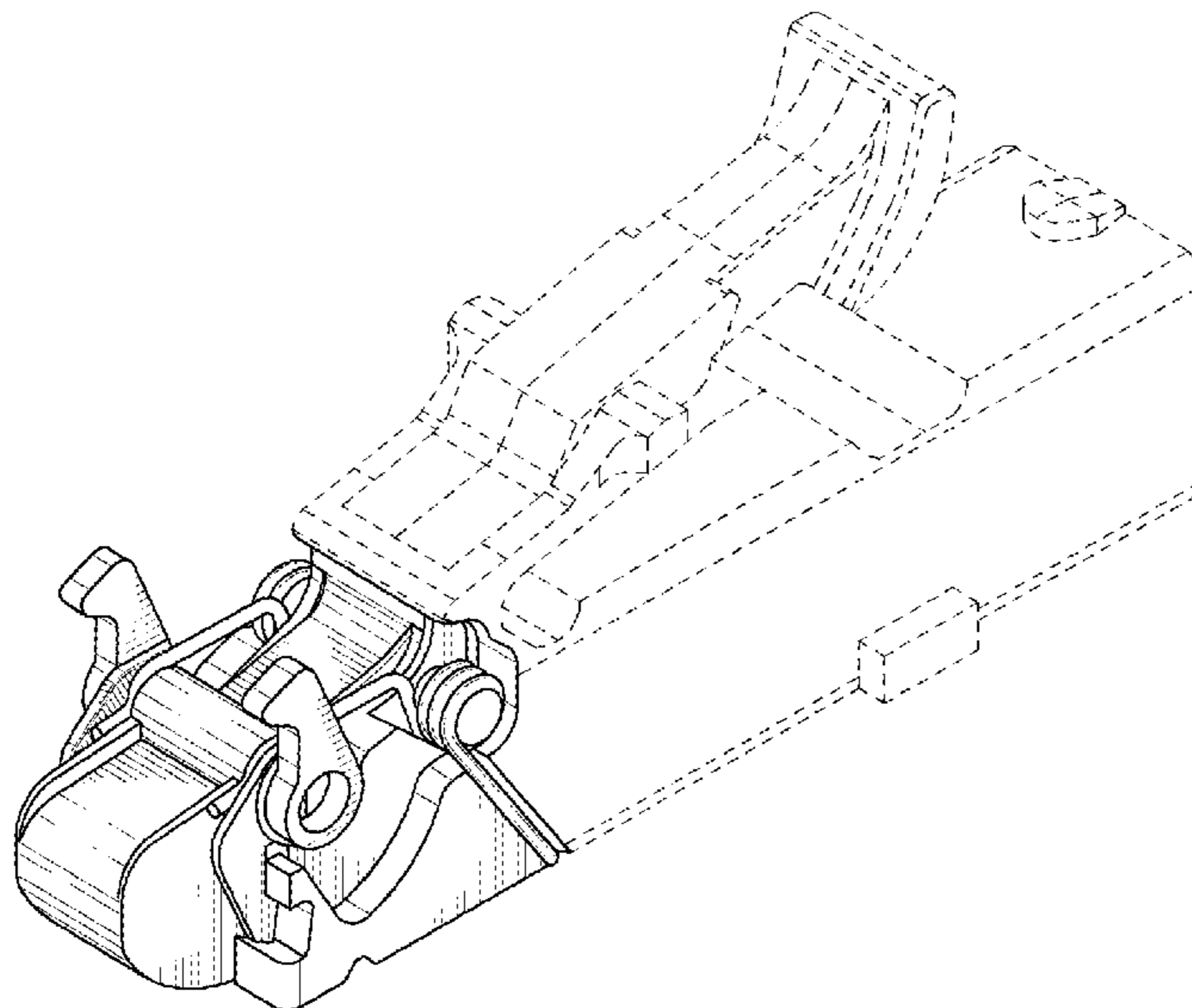
(57) **CLAIM**

The ornamental design for a connecting plug for a fiber optic cable end, as shown and described.

**DESCRIPTION**

**1.1** is a perspective view of a connecting plug for a fiber optic cable end;  
**1.2** is a left side view thereof;  
**1.3** is a right side view thereof;  
**1.4** is a top plan view thereof;  
**1.5** is a bottom plan view thereof; and  
**1.6** is a front elevation view thereof.  
The broken line showing in the reproduction is for the purpose of illustrating portions of the connecting plug for a fiber optic cable end, and forms no part of the claimed design.

**1 Claim, 6 Drawing Sheets**



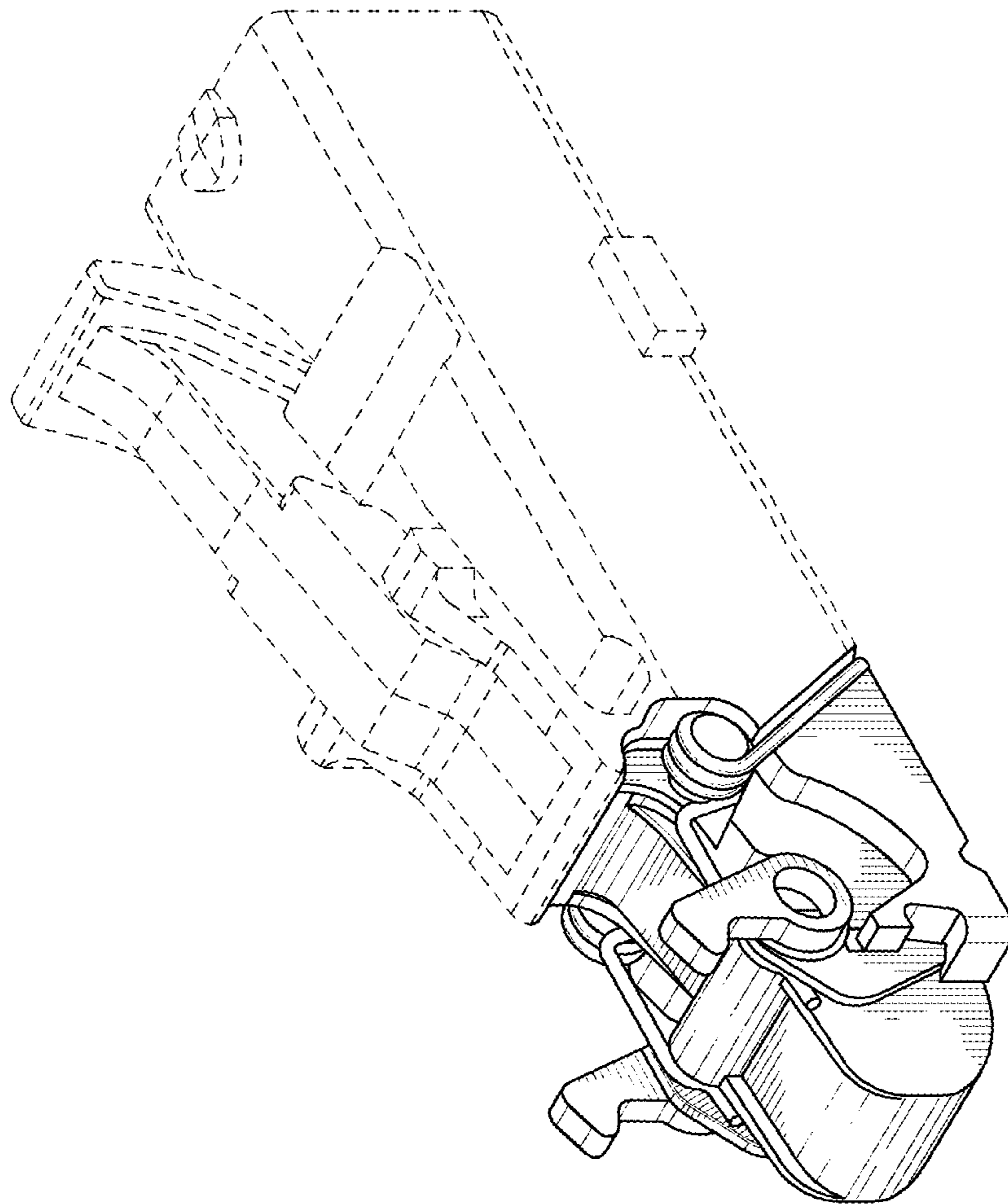
(56)

**References Cited**

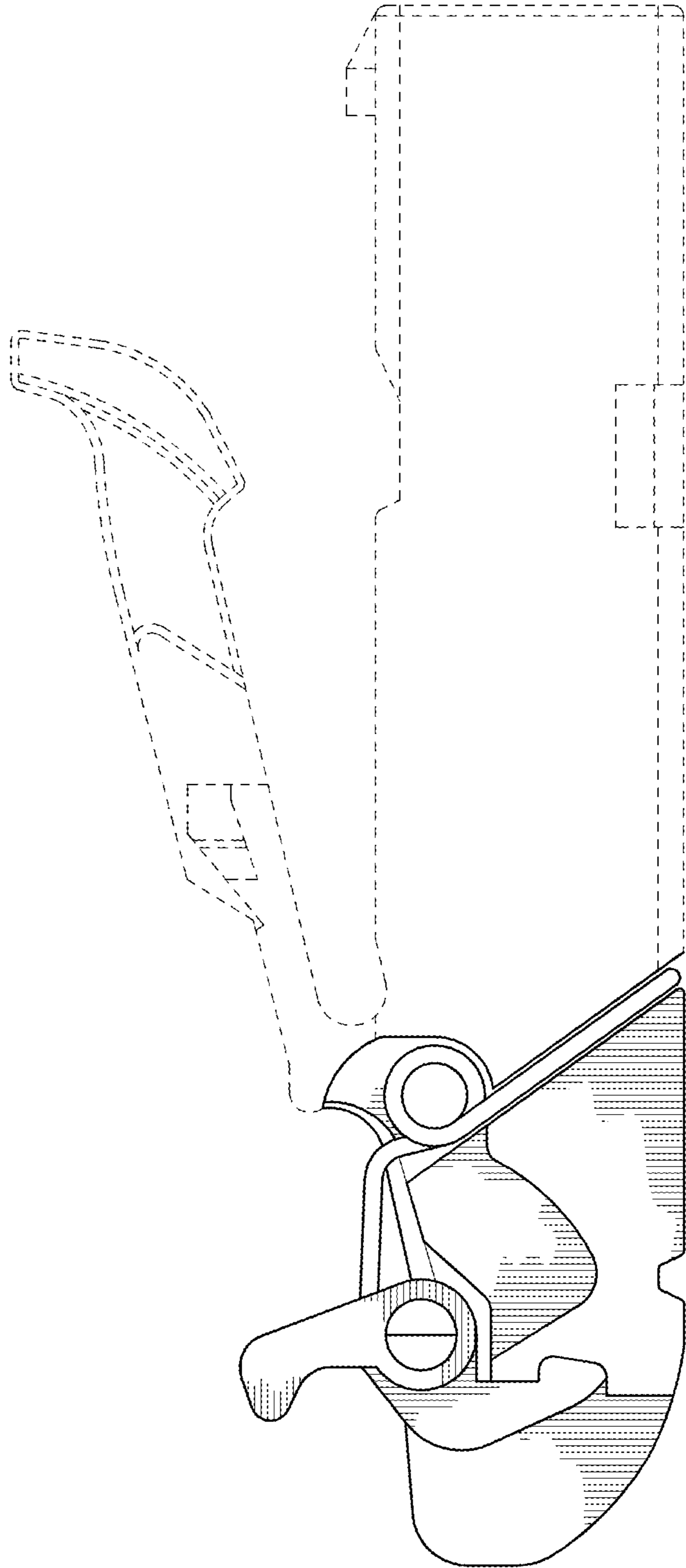
U.S. PATENT DOCUMENTS

2013/0051734 A1\* 2/2013 Shen ..... G02B 6/3821  
385/78  
2015/0049989 A1\* 2/2015 Yoshizaki ..... G02B 6/3825  
385/78  
2015/0268424 A1\* 9/2015 Koreeda ..... G02B 6/3893  
385/60  
2016/0231512 A1\* 8/2016 Seki ..... G02B 6/3893

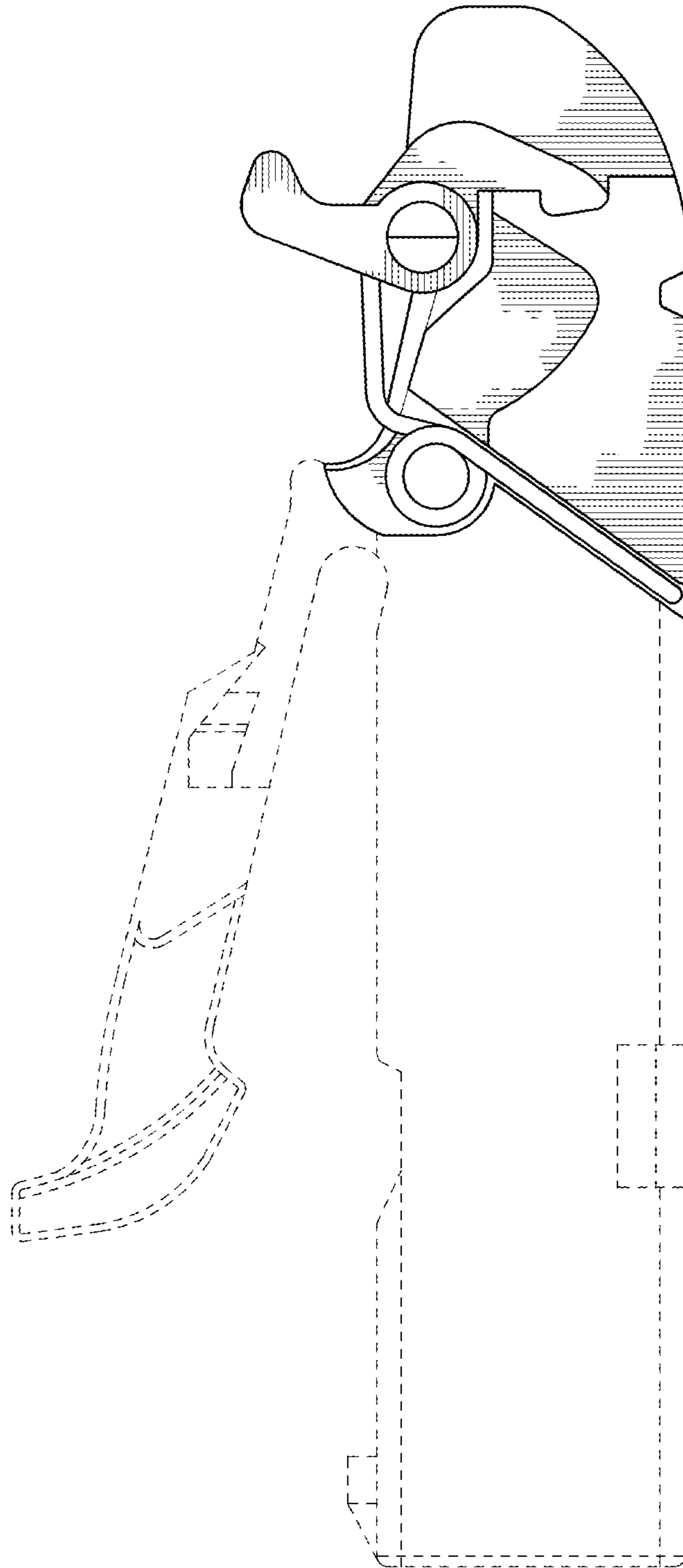
\* cited by examiner



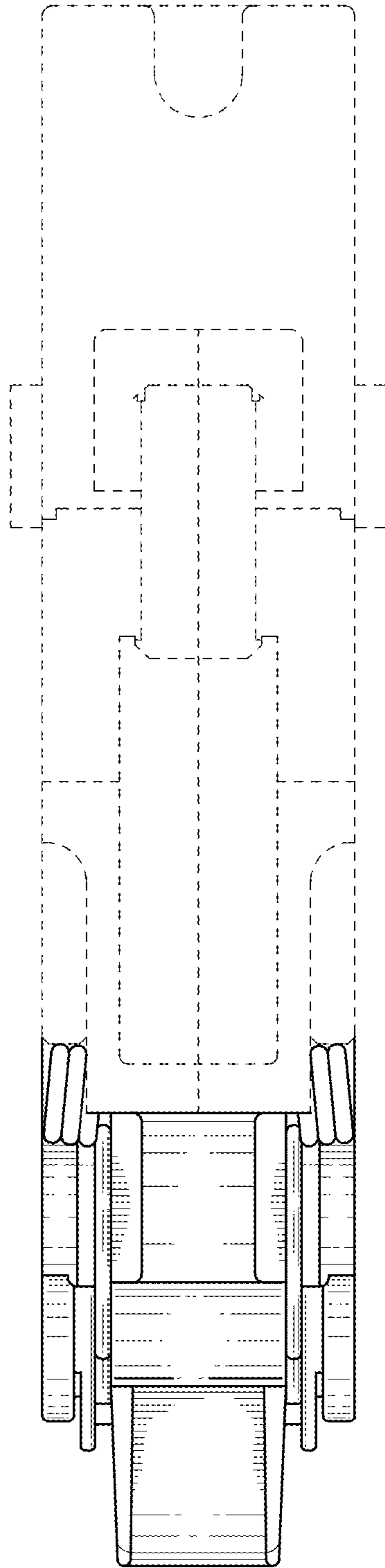
1.1



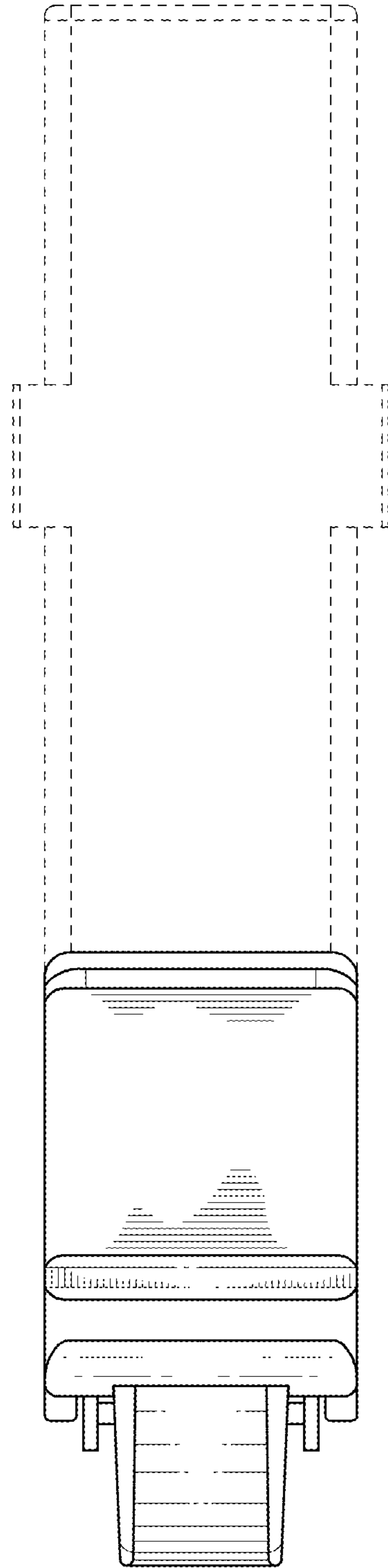
1.2



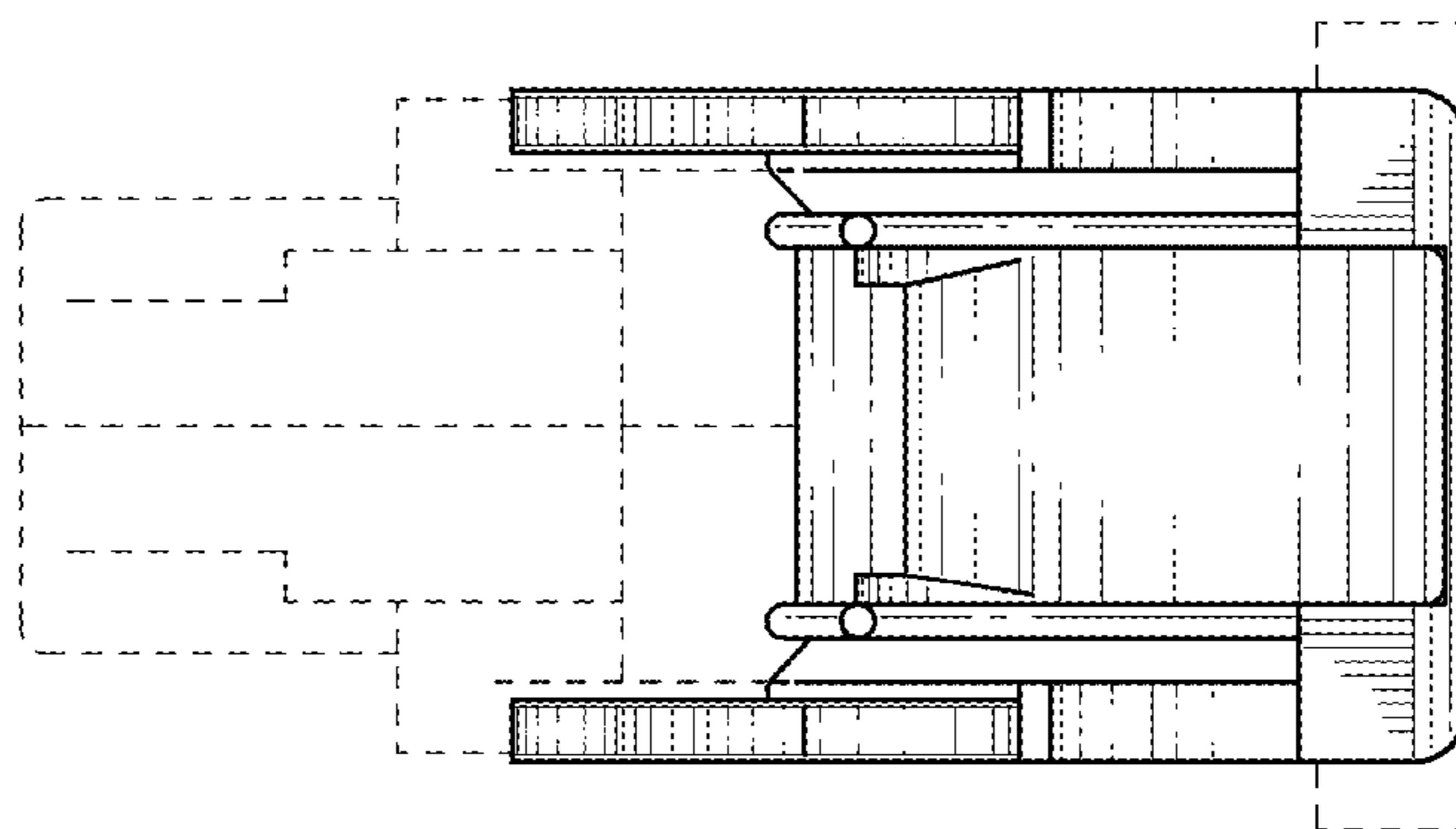
1.3



1.4



1.5



1.6