

US00D897957S

(12) **United States Design Patent**
Yang

(10) **Patent No.:** **US D897,957 S**

(45) **Date of Patent:** **** Oct. 6, 2020**

(54) **CHARGER**

(71) Applicant: **Ri Xian Yang**, Guangdong (CN)

(72) Inventor: **Ri Xian Yang**, Guangdong (CN)

(**) Term: **15 Years**

(21) Appl. No.: **29/676,290**

(22) Filed: **Jan. 10, 2019**

(30) **Foreign Application Priority Data**

Dec. 25, 2018 (CN) 2018 3 0753895

(51) **LOC (12) Cl.** **13-02**

(52) **U.S. Cl.**
USPC **D13/110**

(58) **Field of Classification Search**
USPC D13/107-110, 118-119, 184; D14/251,
D14/253, 432, 434

CPC Y02E 60/12; Y02T 90/14; Y02T 90/122;
Y02T 90/128; Y02T 90/163; H02J 7/025;
H02J 7/0042; H02J 7/0044; H02J 7/0045;
H02J 7/0013; H02J 7/0003; H01F 38/14;
H01R 13/6675; H01M 2/1022; H01M
2/1055; H01M 10/44; H01M 10/46;
H01M 10/425; B60L 11/182

See application file for complete search history.

(56) **References Cited**

U.S. PATENT DOCUMENTS

D572,712 S * 7/2008 Ledbetter D13/110
D595,224 S * 6/2009 Seil D13/108

D617,275 S * 6/2010 Fahrendorff D13/138.1
D650,330 S * 12/2011 Dong D13/108
D651,975 S * 1/2012 Smith D13/138.1
D663,687 S * 7/2012 Liu D13/108
D734,259 S * 7/2015 Cypress D13/110
D756,915 S * 5/2016 Yang D13/108
D819,566 S * 6/2018 Hung D13/110
D821,972 S * 7/2018 Wei D13/108
D867,287 S * 11/2019 Akana D13/110
D879,044 S * 3/2020 Fan D13/137.2
D879,712 S * 3/2020 Fan D13/108

* cited by examiner

Primary Examiner — Nathaniel D. Buckner

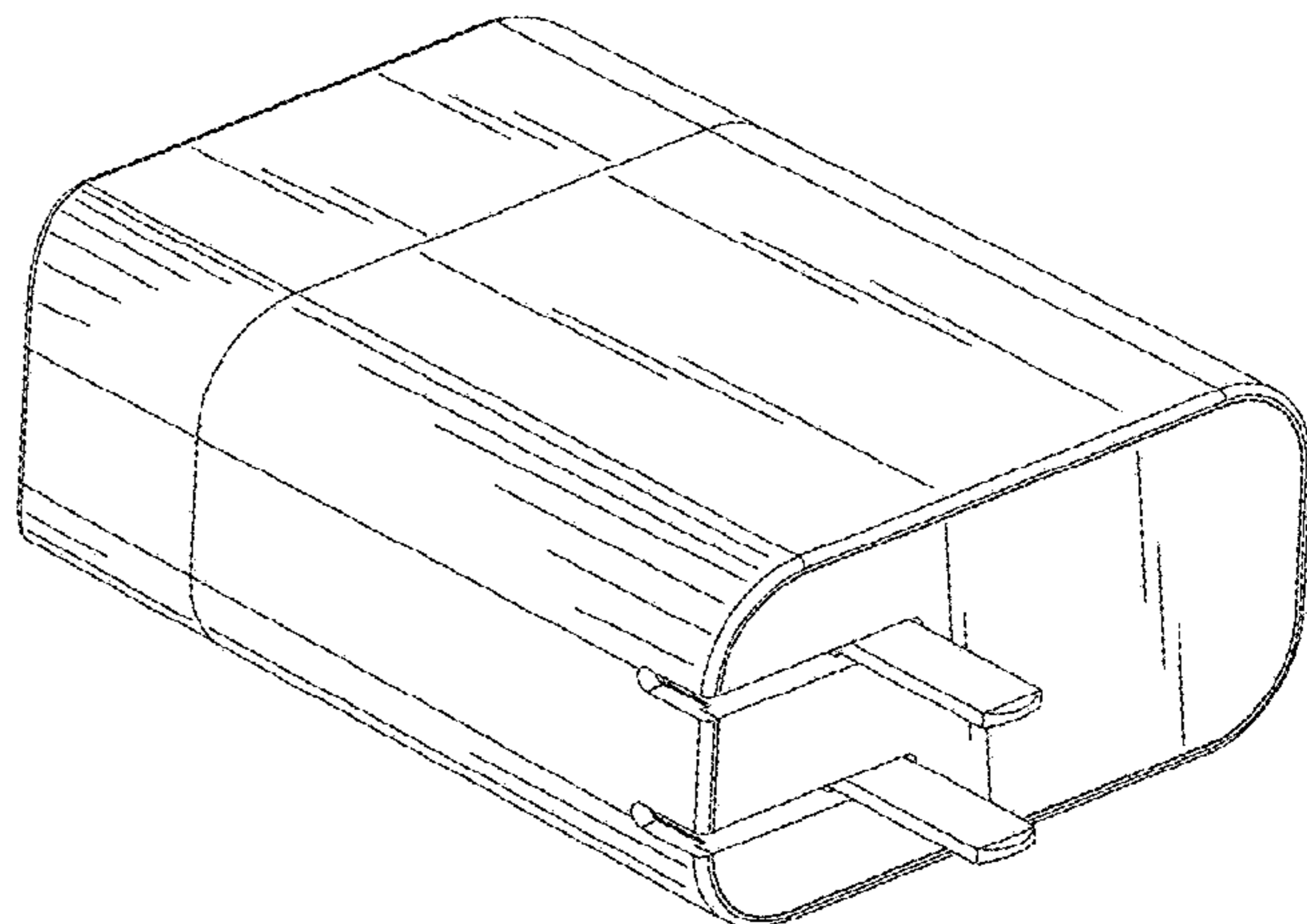
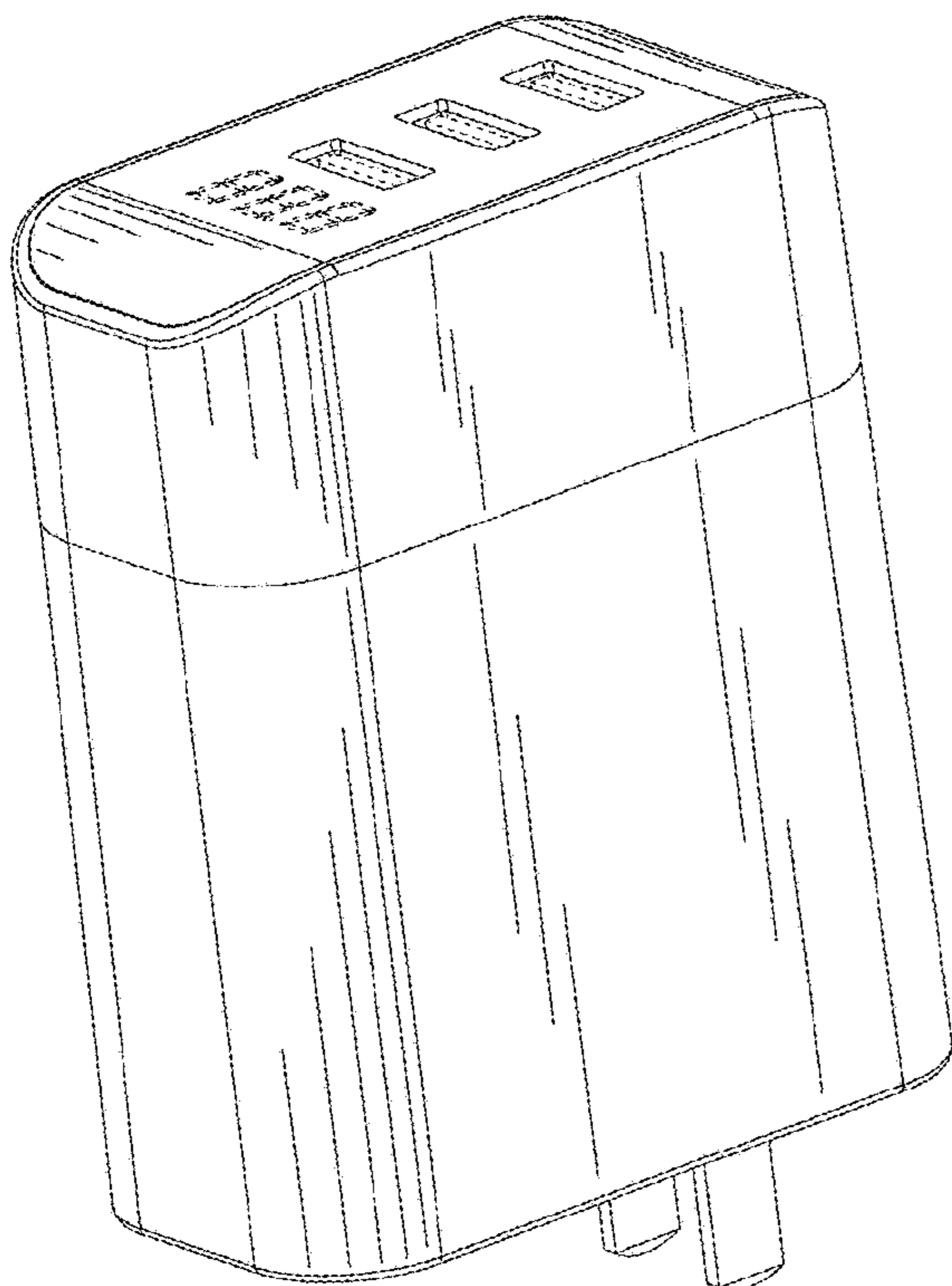
(57) **CLAIM**

The ornamental design for a charger, as shown and described.

DESCRIPTION

FIG. 1 is a front elevational view of a charger showing my new design;
FIG. 2 is a rear elevational view thereof;
FIG. 3 is a left side view thereof;
FIG. 4 is a right side view thereof;
FIG. 5 is a top plan view thereof;
FIG. 6 is a bottom plan view thereof;
FIG. 7 is a perspective view thereof; and,
FIG. 8 is another perspective view thereof.
The broken lines in the figures depict portions of the charger which form no part of the claimed design.

1 Claim, 8 Drawing Sheets



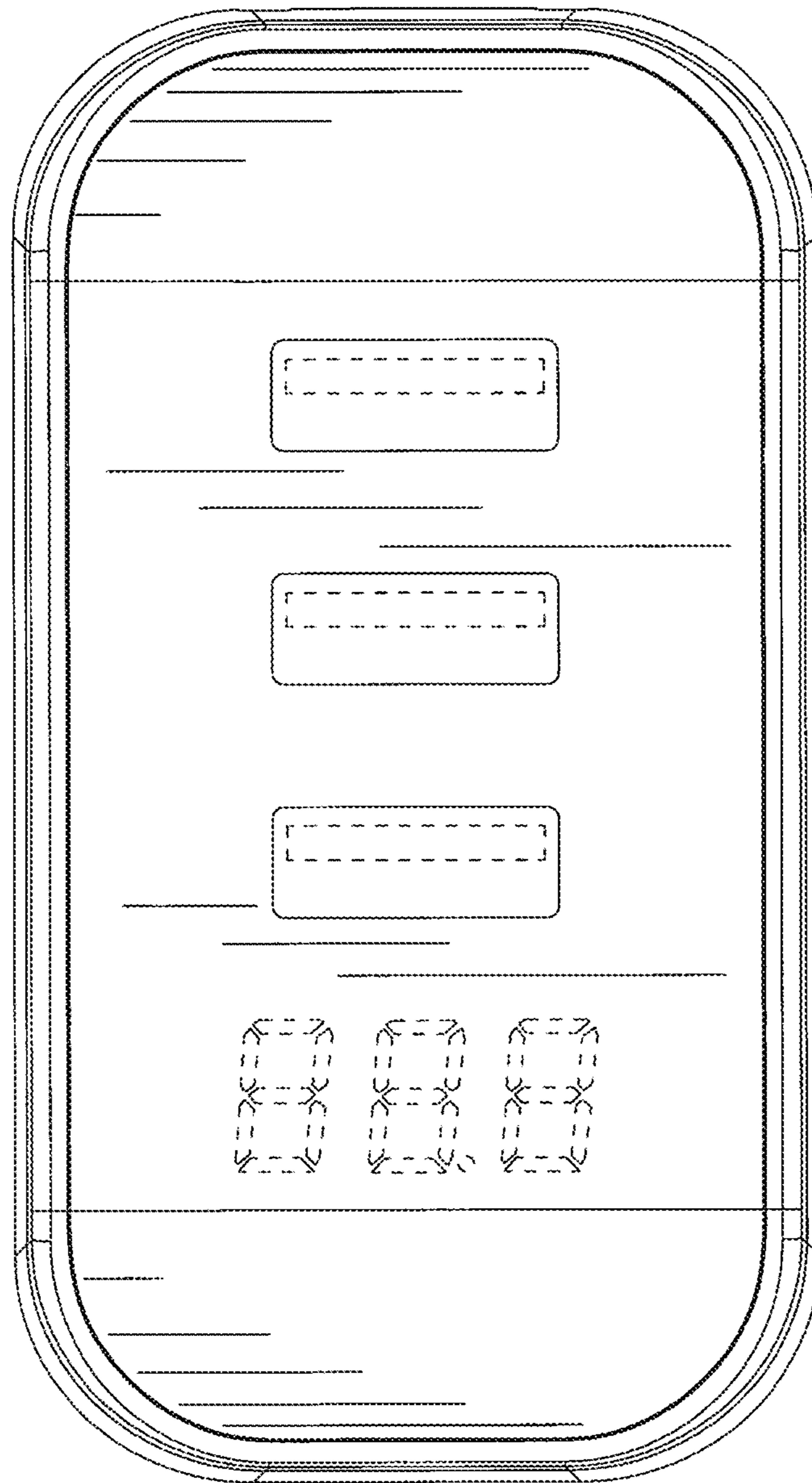


FIG. 1

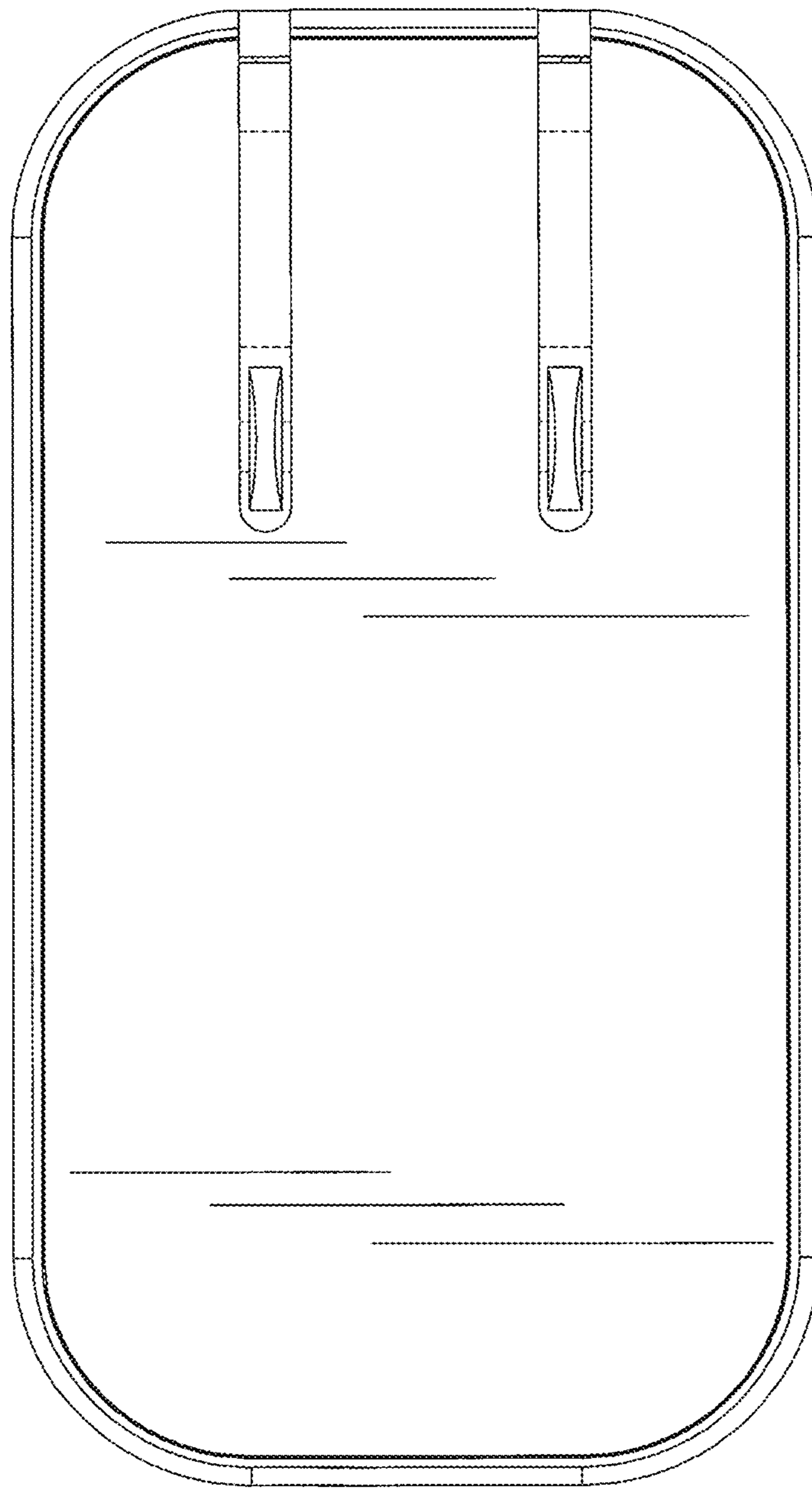


FIG. 2

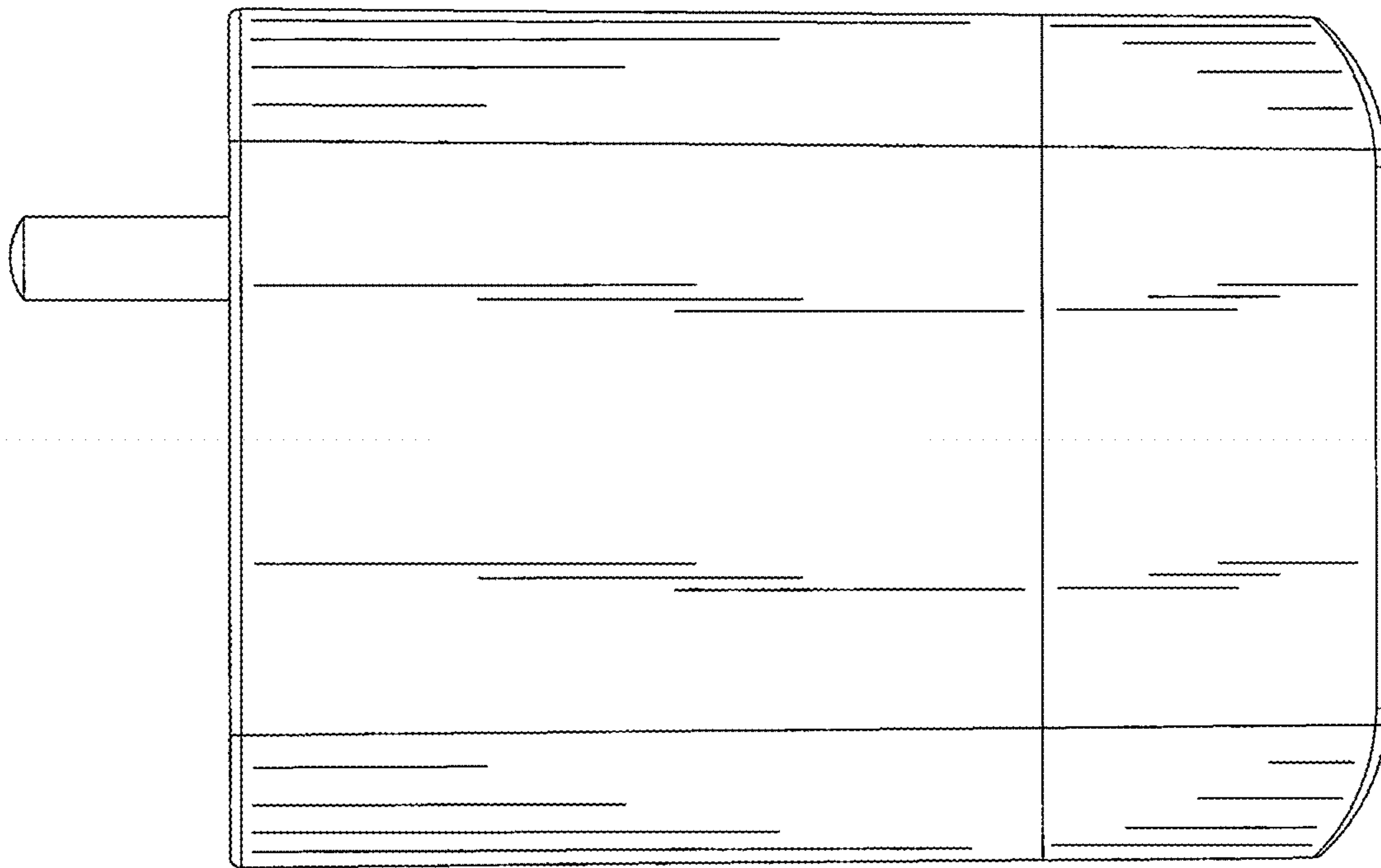


FIG. 3

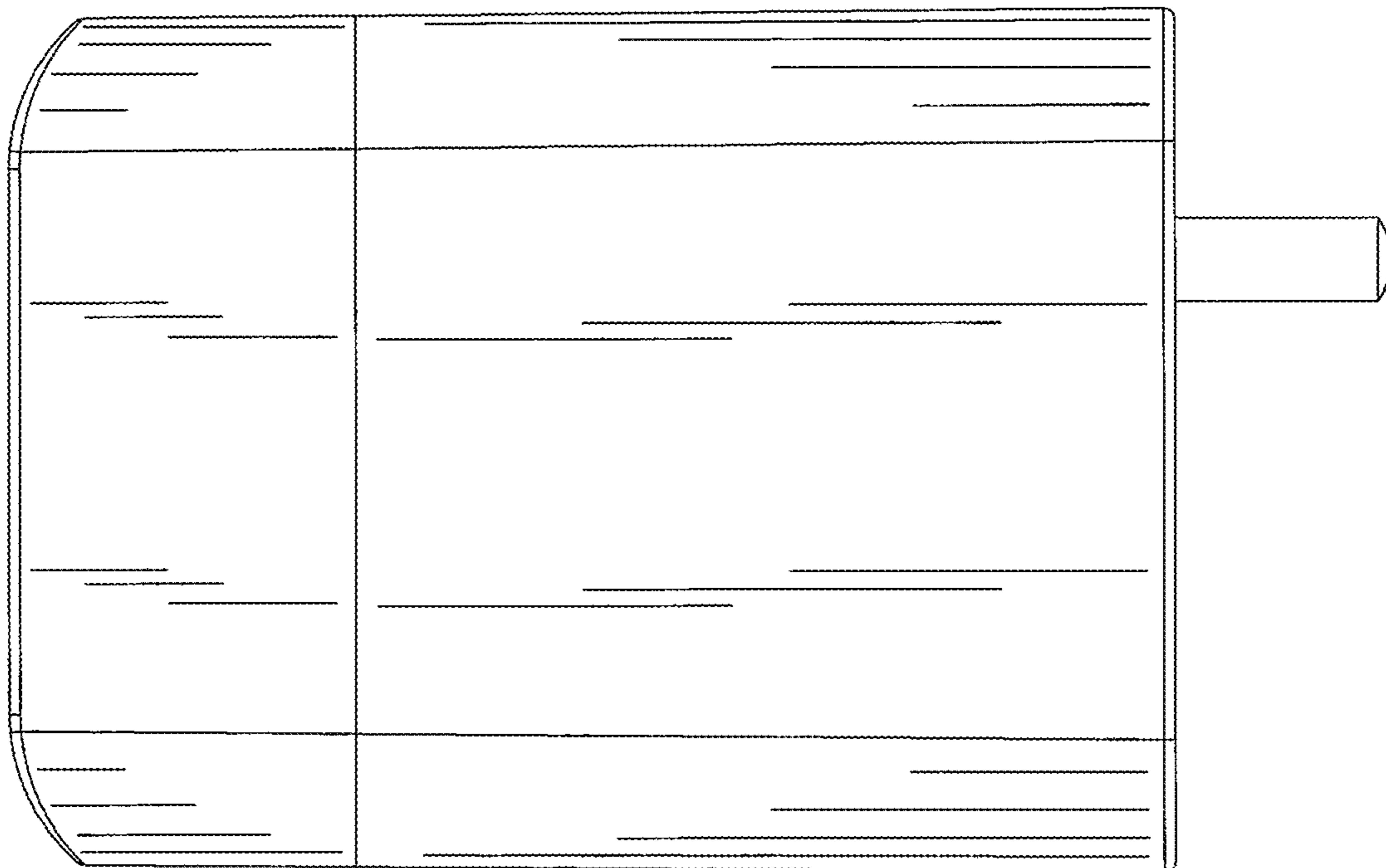


FIG. 4

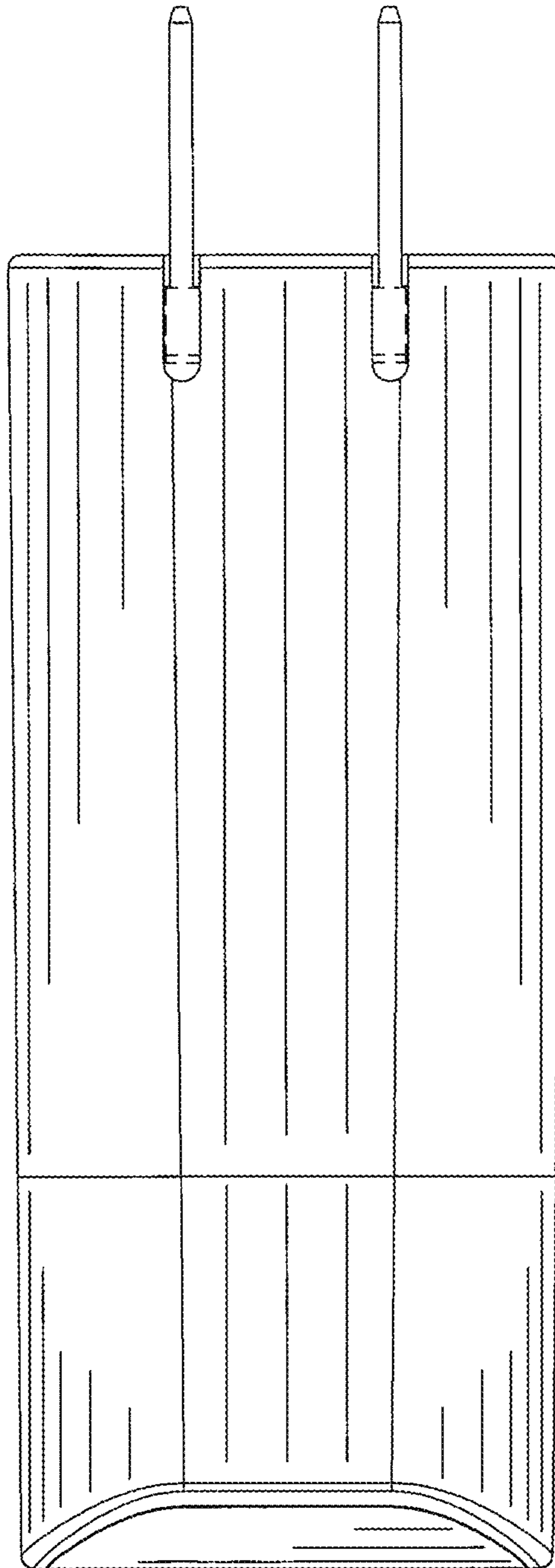


FIG. 5

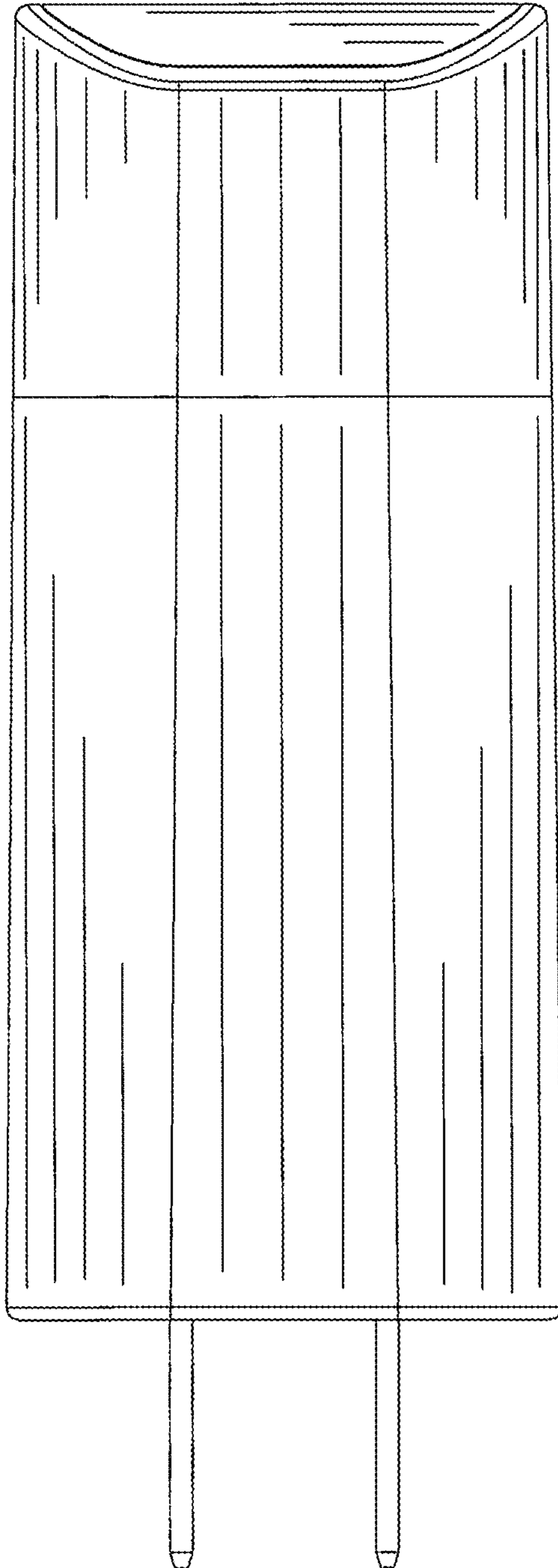


FIG. 6

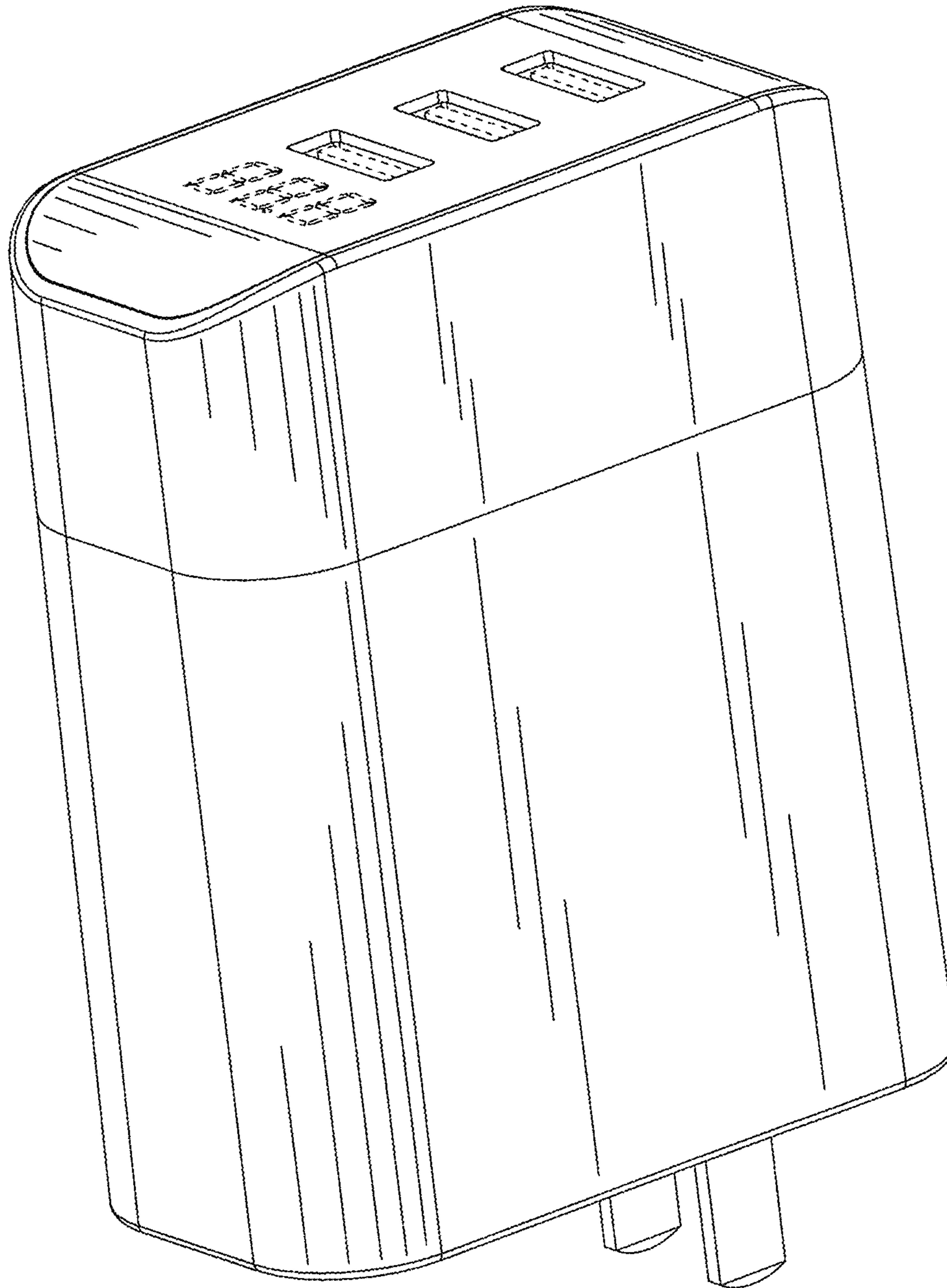


FIG. 7

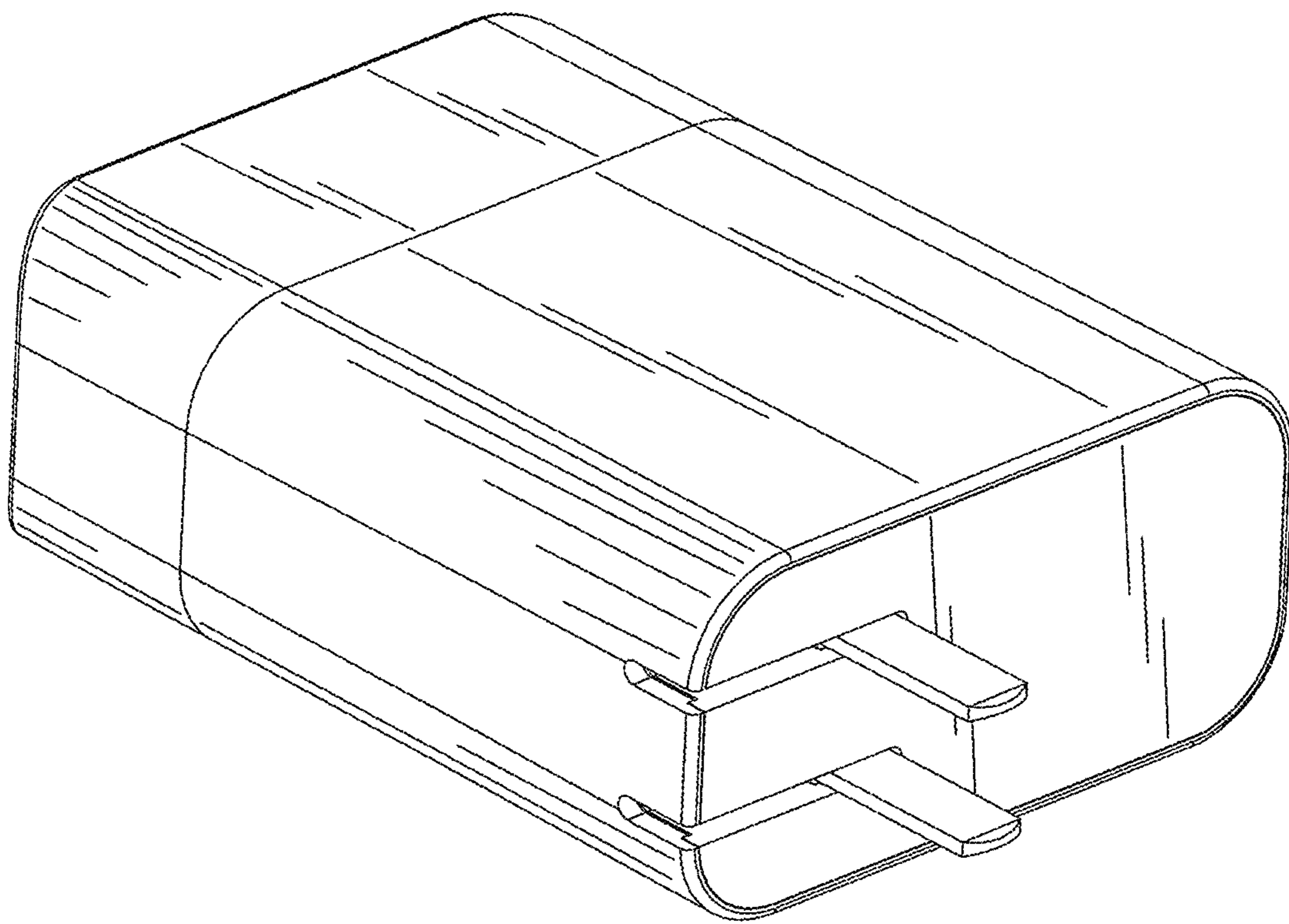


FIG. 8