



US00D897955S

(12) **United States Design Patent** (10) **Patent No.:** **US D897,955 S**
Kim (45) **Date of Patent:** **** Oct. 6, 2020**

(54) **WIRELESS CHARGING DEVICE FOR PORTABLE TELECOMMUNICATION TERMINAL**

(71) Applicant: **Jin Eui Kim**, Seoul (KR)

(72) Inventor: **Jin Eui Kim**, Seoul (KR)

(**) Term: **15 Years**

(21) Appl. No.: **35/507,292**

(22) Filed: **Jan. 22, 2019**

(80) **Hague Agreement Data**

Int. Filing Date: **Jan. 22, 2019**

Int. Reg. No.: **DM/202370**

Int. Reg. Date: **Jan. 22, 2019**

Int. Reg. Pub. Date: **Aug. 23, 2019**

(30) **Foreign Application Priority Data**

Nov. 16, 2018 (KR) 30-2018-0053245

(51) **LOC (12) Cl.** **13-02**

(52) **U.S. Cl.**
USPC **D13/108**

(58) **Field of Classification Search**

USPC D13/107-110, 118-119, 184; D14/251, D14/253, 432, 434

CPC Y02E 60/12; Y02T 90/14; Y02T 90/122; Y02T 90/128; Y02T 90/163; H02J 7/025; H02J 7/0042; H02J 7/0044; H02J 7/0045; H02J 7/0013; H02J 7/0003; H01F 38/14; H01R 13/6675; H01M 2/1022; H01M 2/1055; H01M 10/44; H01M 10/46; H01M 10/425; B60L 11/182

See application file for complete search history.

(56) **References Cited**

U.S. PATENT DOCUMENTS

D245,842 S *	9/1977	Boldt	D14/126
D258,286 S *	2/1981	Ishida	386/359
D288,947 S *	3/1987	Kwan	D21/515
D296,552 S *	7/1988	Shindo	D14/131
D561,275 S *	2/2008	Vitito	D21/515
D639,810 S *	6/2011	Hwang	D13/107
D639,811 S *	6/2011	Hwang	D13/107
D680,540 S *	4/2013	Lee	D14/217
D712,369 S *	9/2014	Yoshida	D14/142
D783,626 S *	4/2017	Kim	D14/447
D870,662 S *	12/2019	Schubert	D13/108
D871,331 S *	12/2019	Langhammer	D13/108
D881,022 S *	4/2020	Long	D10/2

* cited by examiner

Primary Examiner — Nathaniel D. Buckner

(74) *Attorney, Agent, or Firm* — Quarles & Brady LLP

(57) **CLAIM**

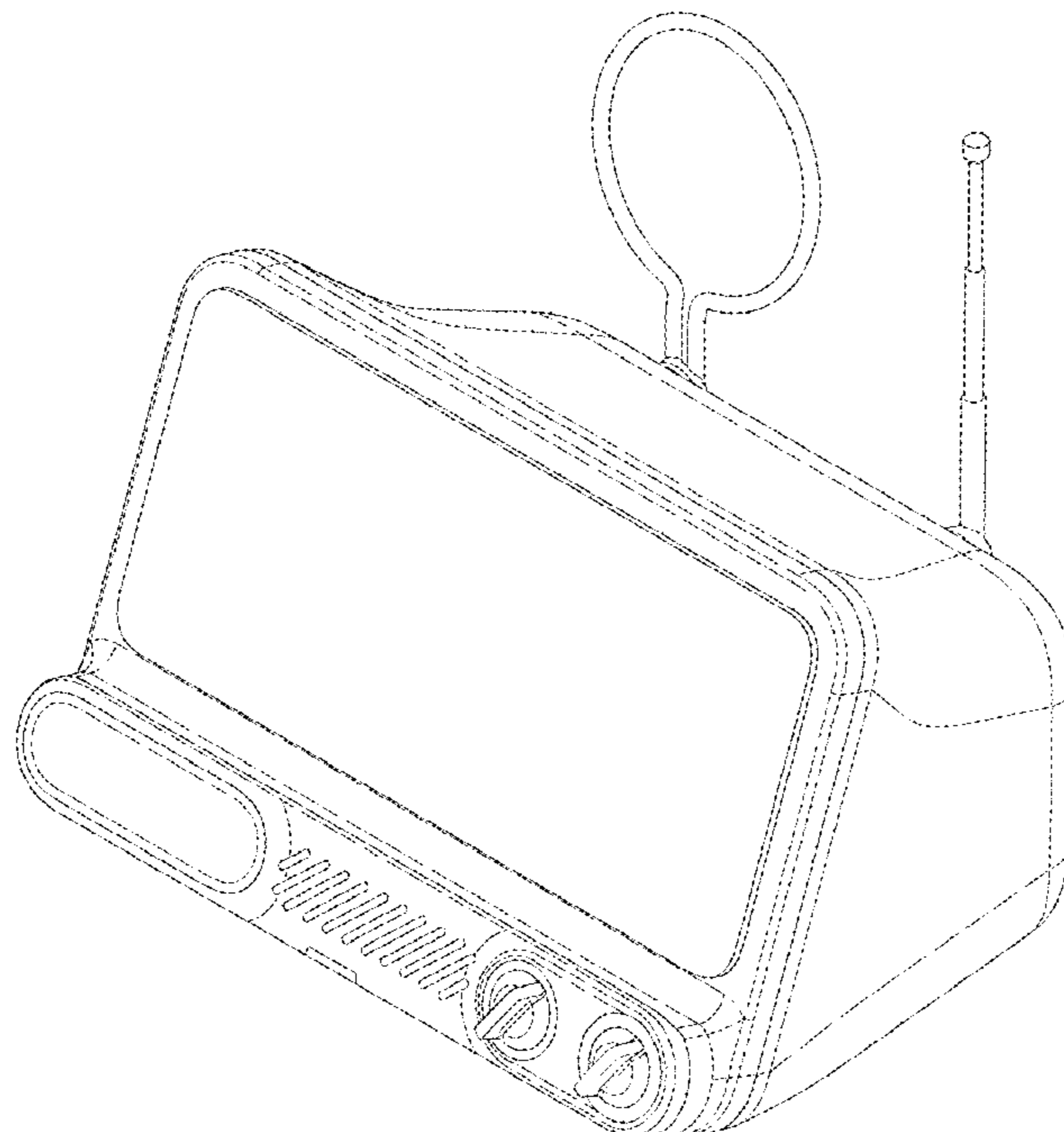
The ornamental design for a wireless charging device for portable telecommunication terminal, as shown and described.

DESCRIPTION

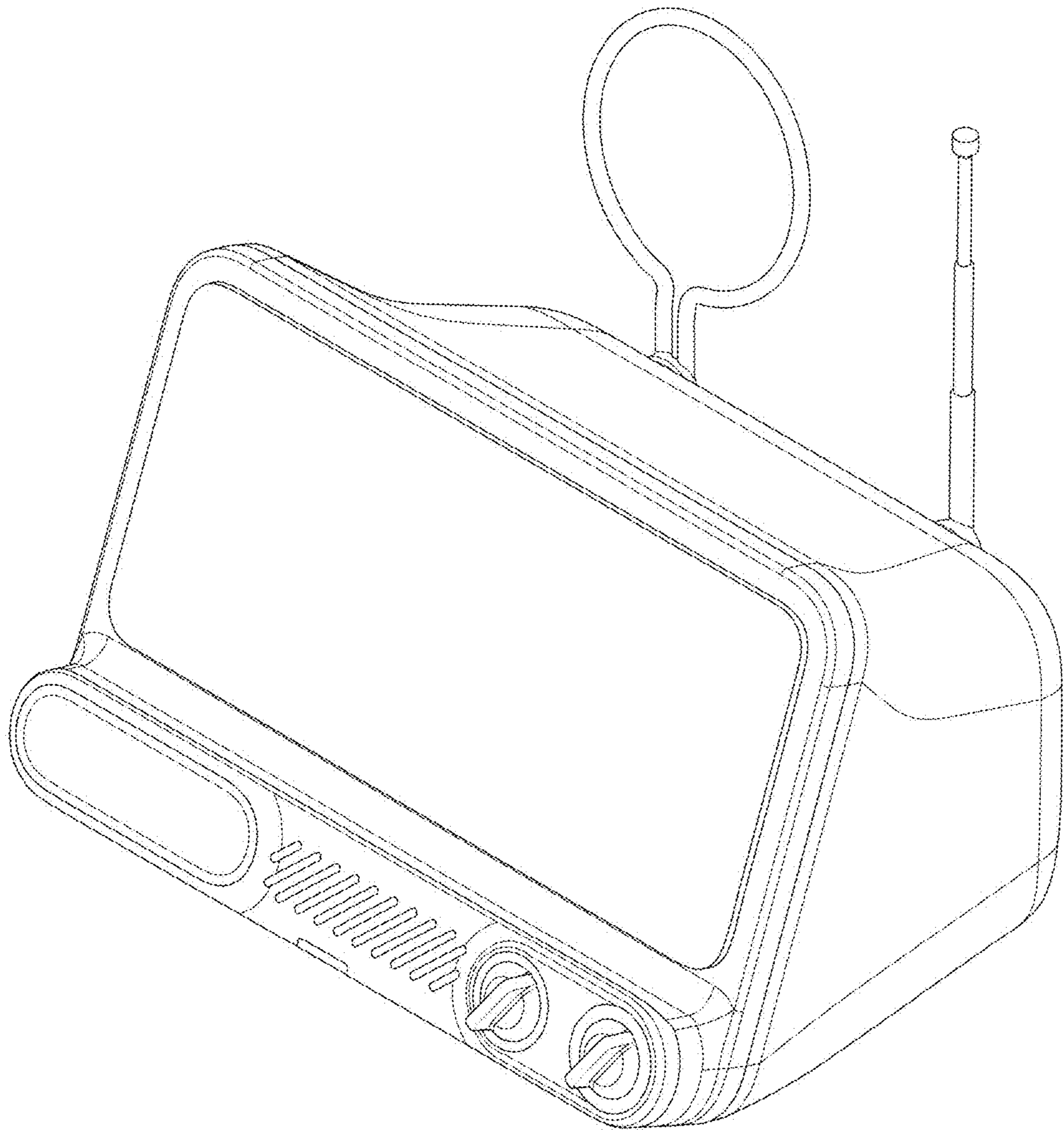
1. Wireless charging device for portable telecommunication terminal

- 1.1 : Perspective
- 1.2 : Front
- 1.3 : Back
- 1.4 : Left
- 1.5 : Right
- 1.6 : Top
- 1.7 : Bottom

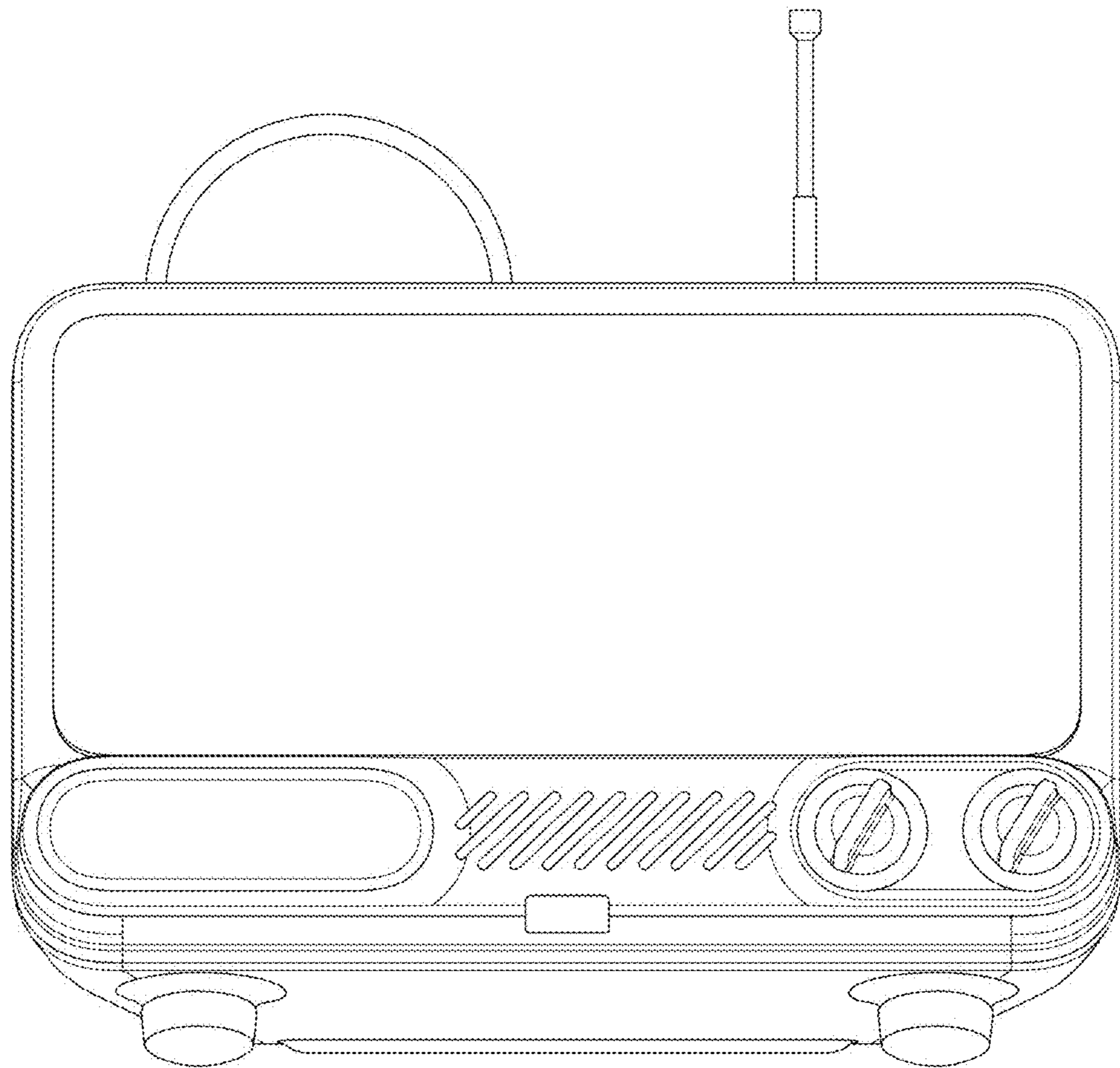
1 Claim, 7 Drawing Sheets



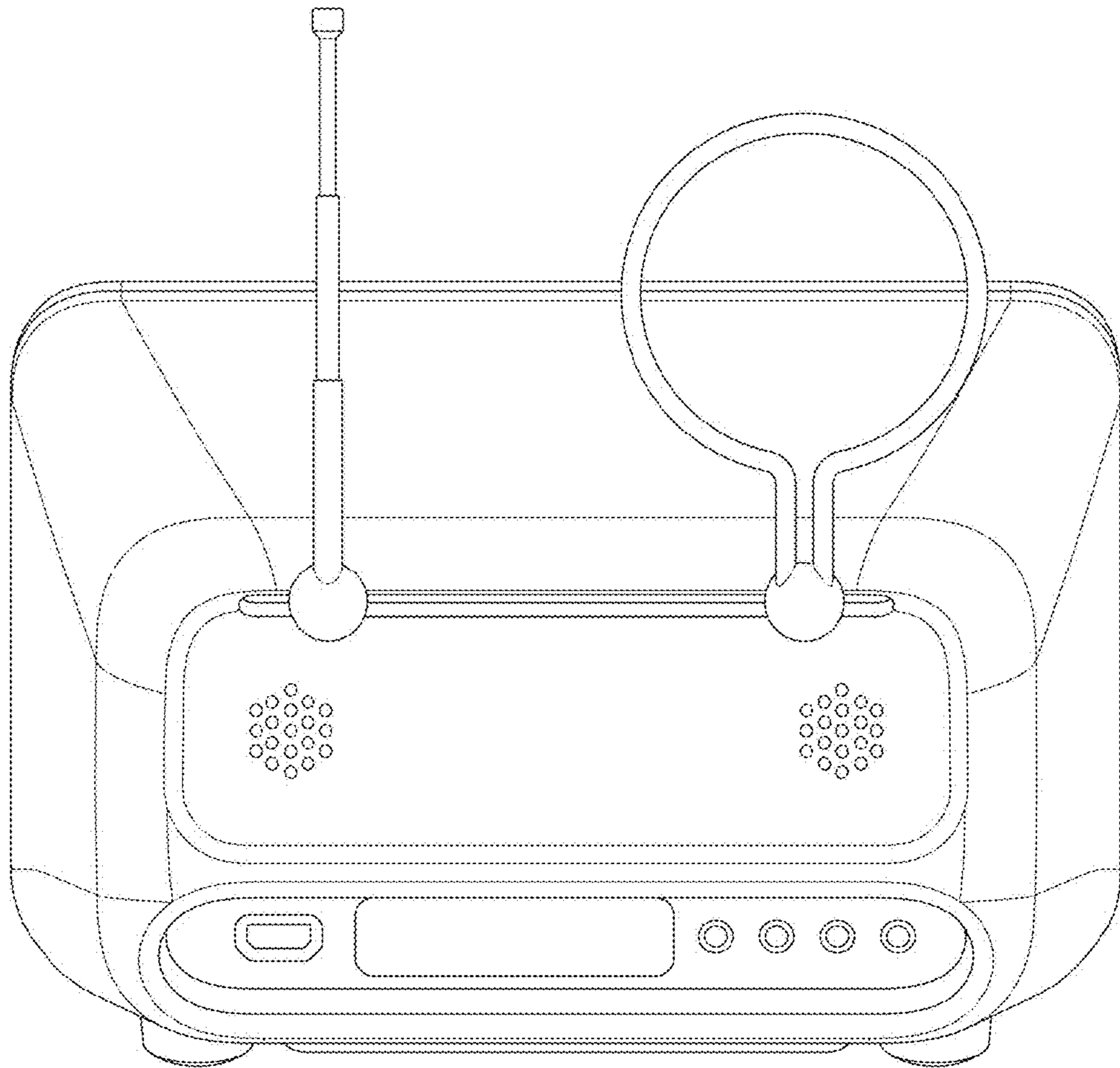
1.1



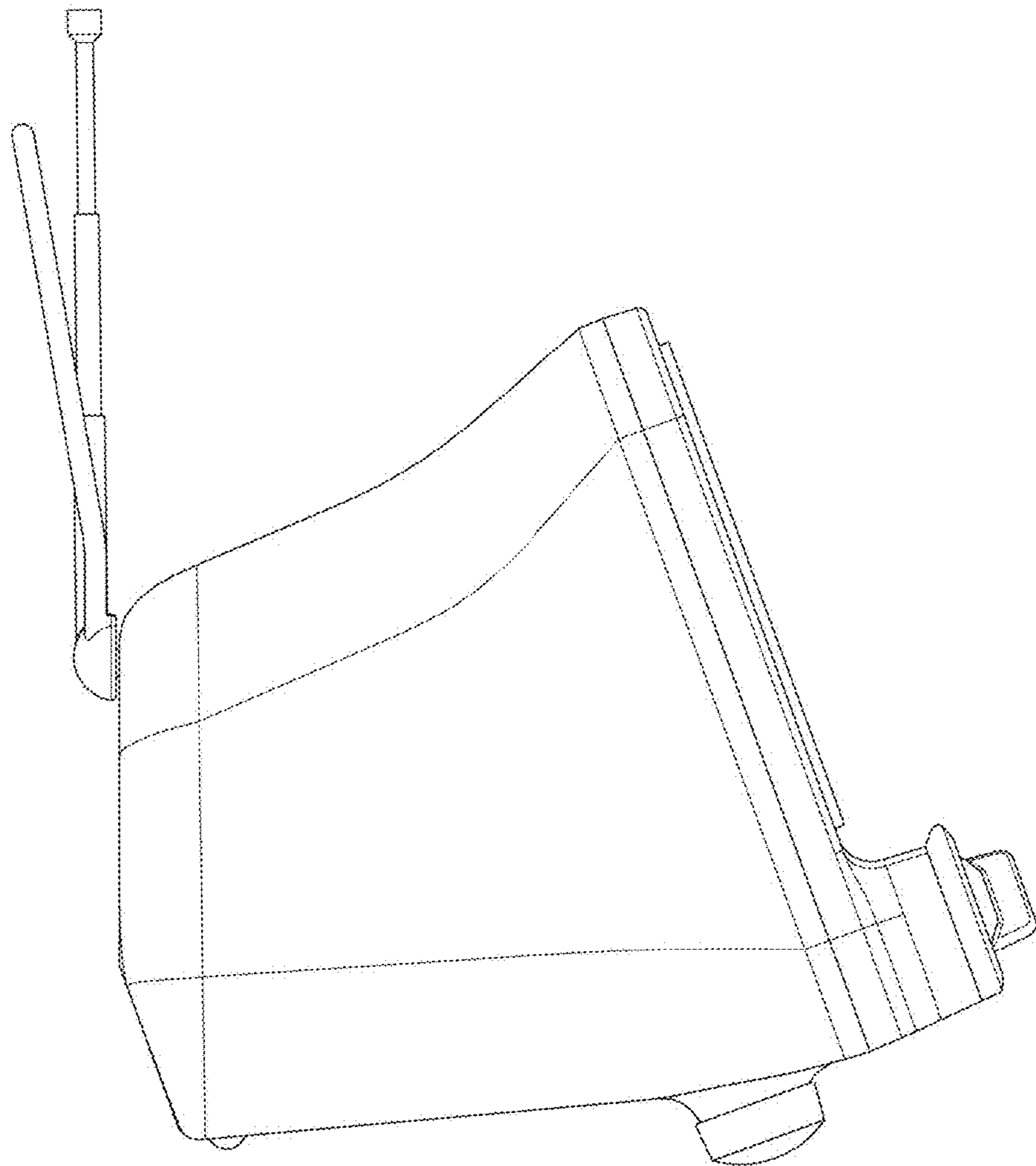
1.2



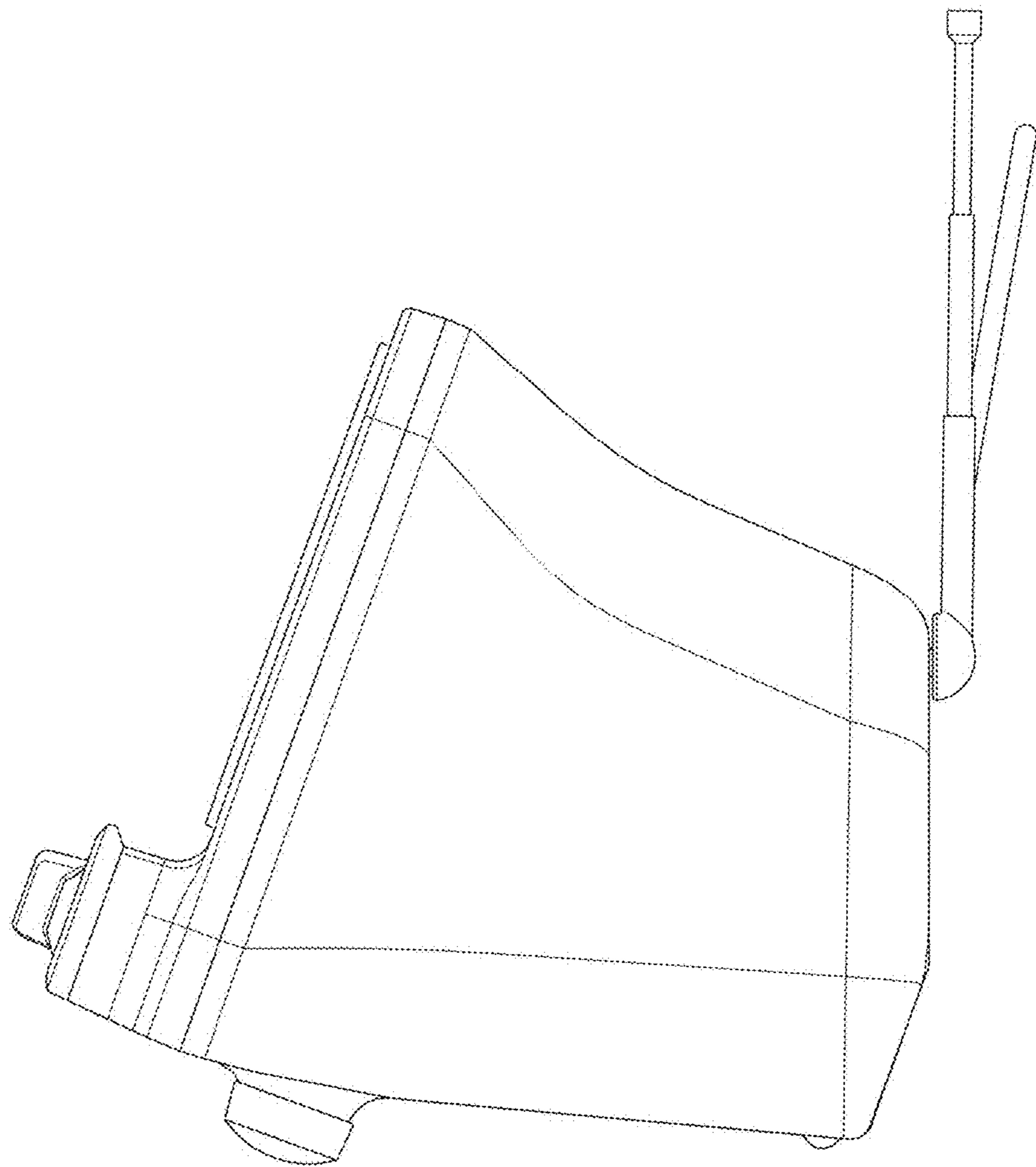
1.3



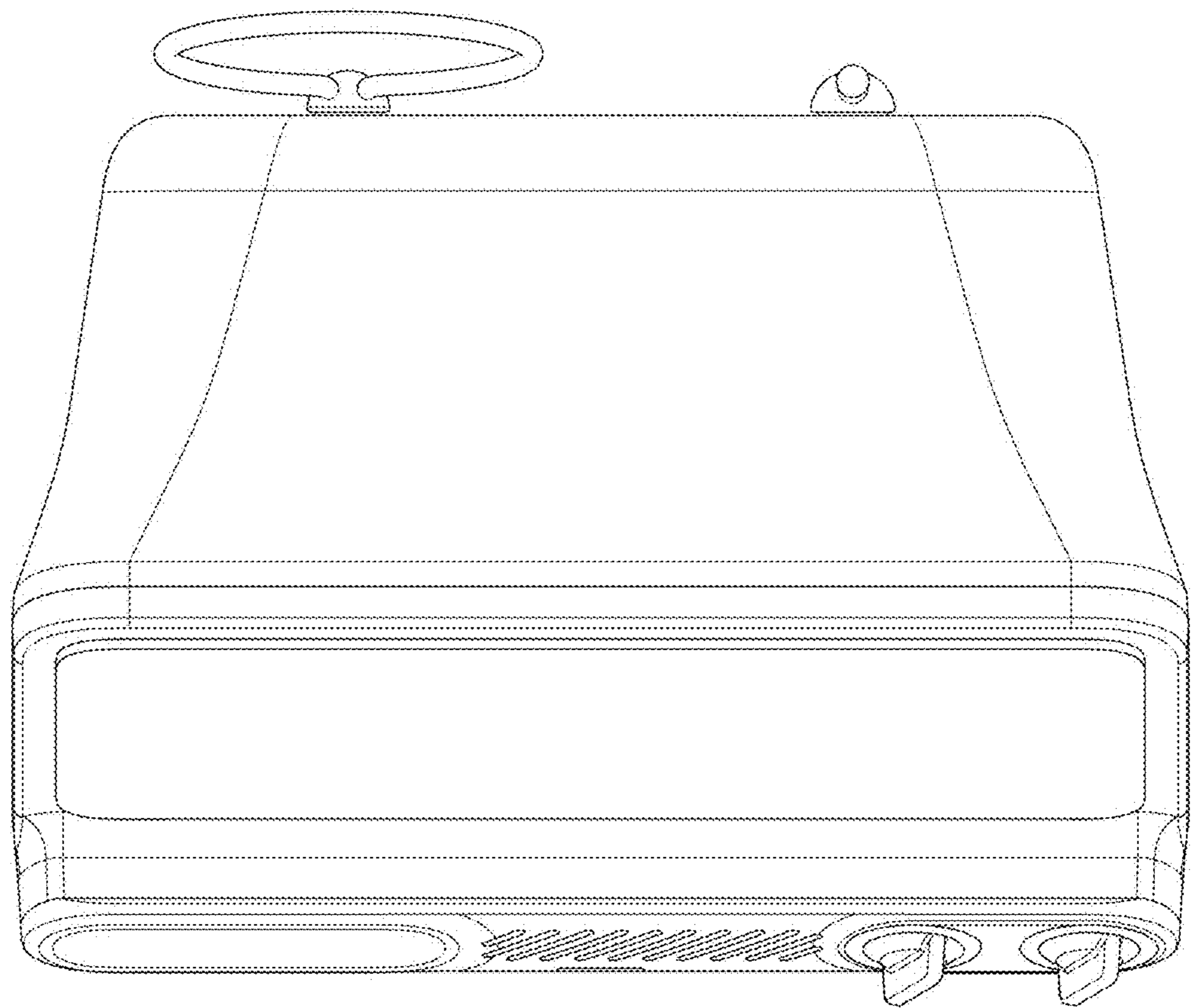
1.4



1.5



1.6



1.7

