



US00D897954S

(12) **United States Design Patent**  
**Wei et al.**

(10) **Patent No.:** **US D897,954 S**  
(45) **Date of Patent:** **\*\* Oct. 6, 2020**

(54) **WIRELESS CHARGER**

(71) Applicant: **AUKEY TECHNOLOGY CO., LTD,**  
Shenzhen (CN)

(72) Inventors: **Xinlong Wei,** Shenzhen (CN);  
**Haizhuan Lu,** Shenzhen (CN)

(73) Assignee: **AUKEY TECHNOLOGY CO., LTD,**  
Shenzhen (CN)

(\*\*) Term: **15 Years**

(21) Appl. No.: **29/706,975**

(22) Filed: **Sep. 25, 2019**

(30) **Foreign Application Priority Data**

Jun. 19, 2019 (CN) ..... 2019 3 0319068

(51) **LOC (12) Cl.** ..... **13-02**

(52) **U.S. Cl.**  
USPC ..... **D13/108**

(58) **Field of Classification Search**  
USPC ..... D13/103, 107-108, 110, 184, 199;  
D14/251, 253, 432, 434  
CPC ..... H02J 7/0044; H02J 7/0045; H02J 7/0042;  
H02J 7/342; H02J 7/345; H02J 7/025;  
H02J 7/026; H02J 7/0007; H02J 7/0027;  
H02J 7/0003; H02J 50/00; H02J 50/10;  
H02J 50/12; H02J 50/80; H02J 50/40;  
H02J 50/402; H02J 50/50  
See application file for complete search history.

(56) **References Cited**

**U.S. PATENT DOCUMENTS**

D654,431 S \* 2/2012 Stephanchick ..... D13/108  
D694,182 S \* 11/2013 Lee ..... D13/108

D718,236 S \* 11/2014 Murray ..... D13/108  
D749,504 S \* 2/2016 Jeong ..... D13/108  
D774,455 S \* 12/2016 Kim ..... D13/108  
D784,259 S \* 4/2017 Huang ..... D13/108  
D786,792 S \* 5/2017 Miller ..... D13/110  
D794,557 S \* 8/2017 Kim ..... D13/108  
D795,182 S \* 8/2017 Akana ..... D13/108  
D797,042 S \* 9/2017 Miller ..... D13/107  
D809,456 S \* 2/2018 Miller ..... D13/110  
D810,015 S \* 2/2018 Carreon ..... D13/108  
D855,567 S \* 8/2019 Cai ..... D13/108  
D861,602 S \* 10/2019 Feng ..... D13/108  
D869,391 S \* 12/2019 Roberts ..... D13/108  
D872,015 S \* 1/2020 Choi ..... D13/108  
D875,678 S \* 2/2020 Kim ..... D13/108  
D879,298 S \* 3/2020 Byung ..... D24/165  
D883,921 S \* 5/2020 Ryu ..... D13/108

\* cited by examiner

*Primary Examiner* — Rosemary K Tarcza  
(74) *Attorney, Agent, or Firm* — Westbridge IP LLC

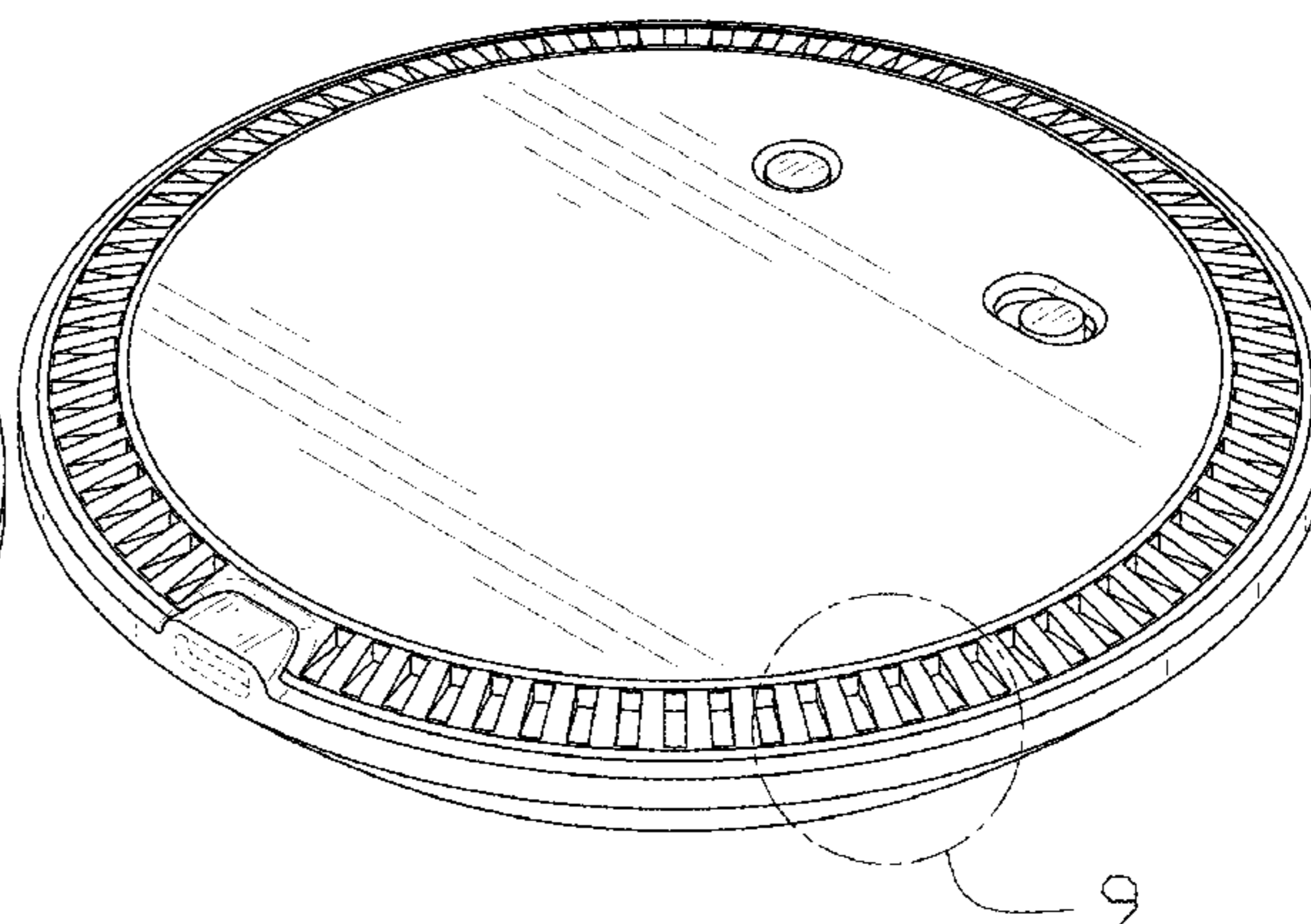
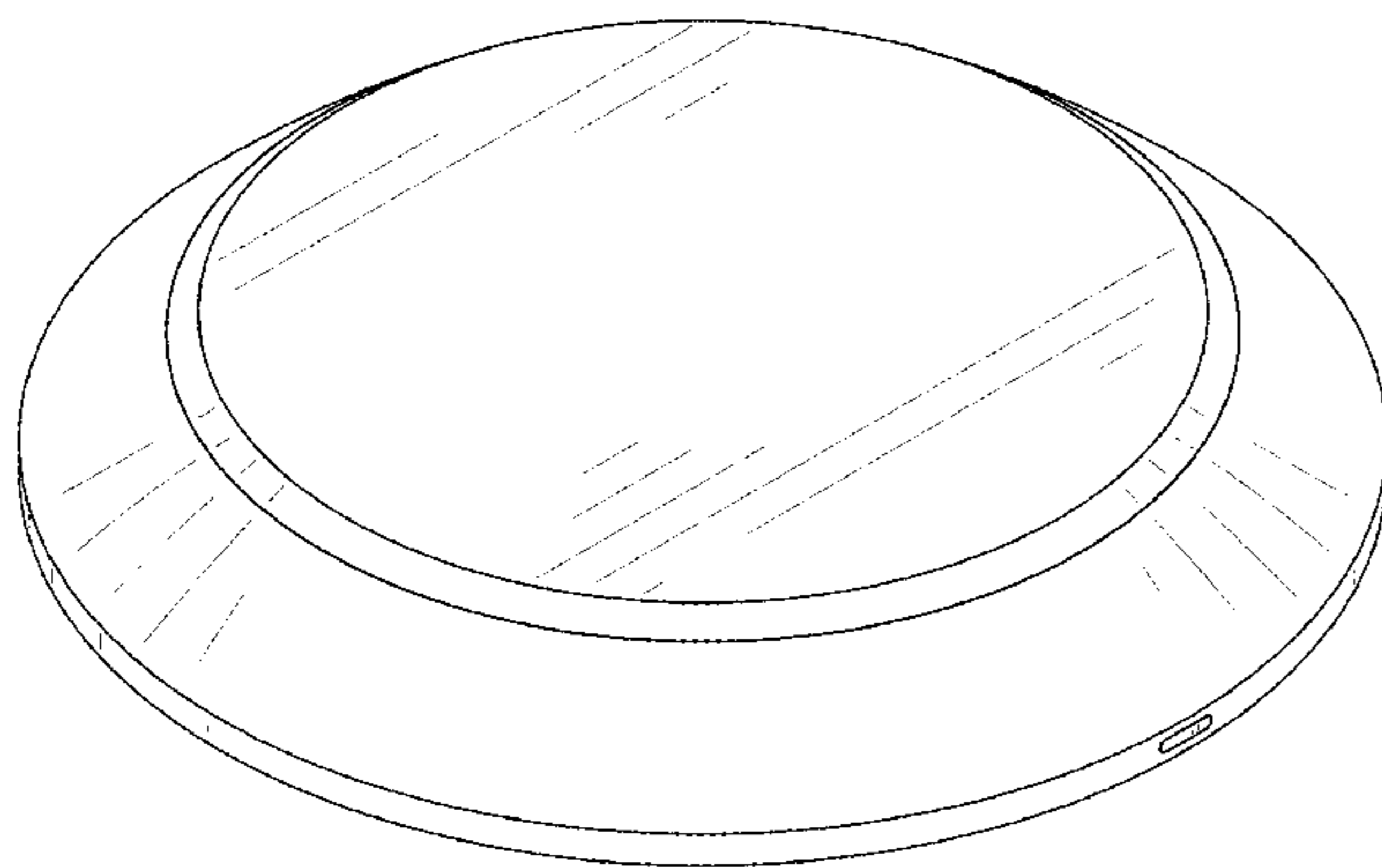
(57) **CLAIM**

The ornamental design for a wireless charger, as shown and described.

**DESCRIPTION**

FIG. 1 is a front elevational view of a wireless charger showing our new design;  
FIG. 2 is a rear elevational view thereof;  
FIG. 3 is a left side view thereof;  
FIG. 4 is a right side view thereof;  
FIG. 5 is a top plan view thereof;  
FIG. 6 is a bottom plan view thereof; and  
FIG. 7 is a first perspective view thereof;  
FIG. 8 is a second perspective view thereof; and,  
FIG. 9 is an enlarged view of a detail of FIG. 8.  
The evenly broken lines in the drawings illustrate portions of the article that form no part of the claim.

**1 Claim, 9 Drawing Sheets**



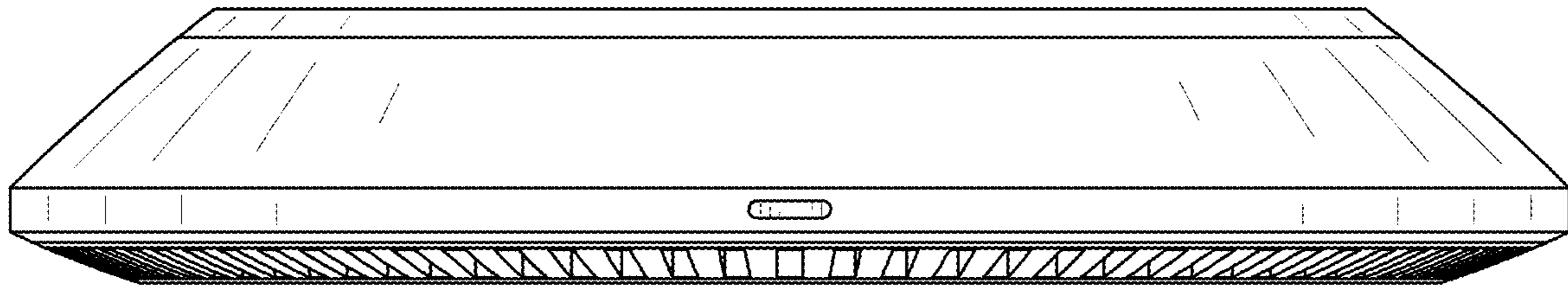


FIG. 1

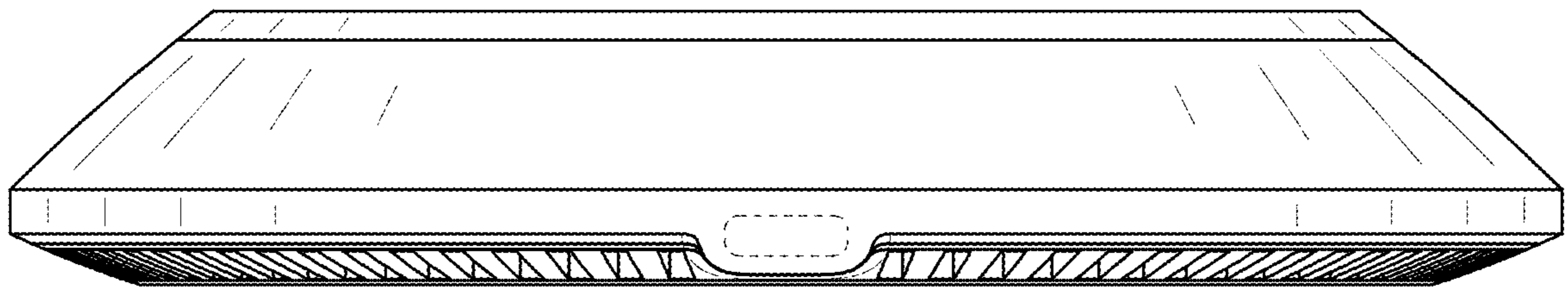


FIG. 2

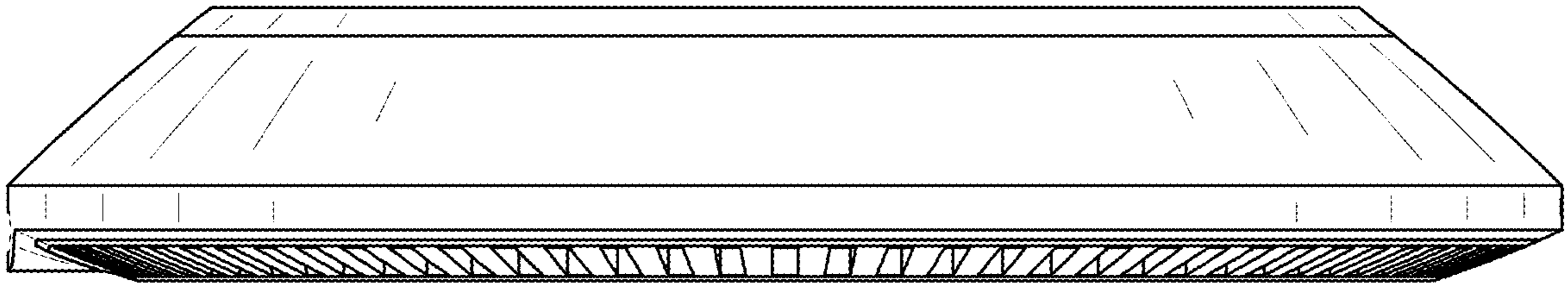


FIG. 3

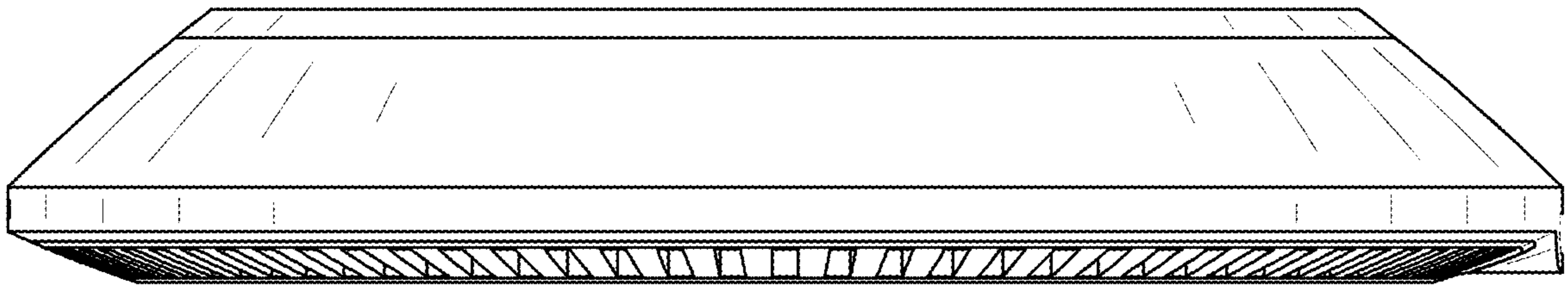


FIG. 4

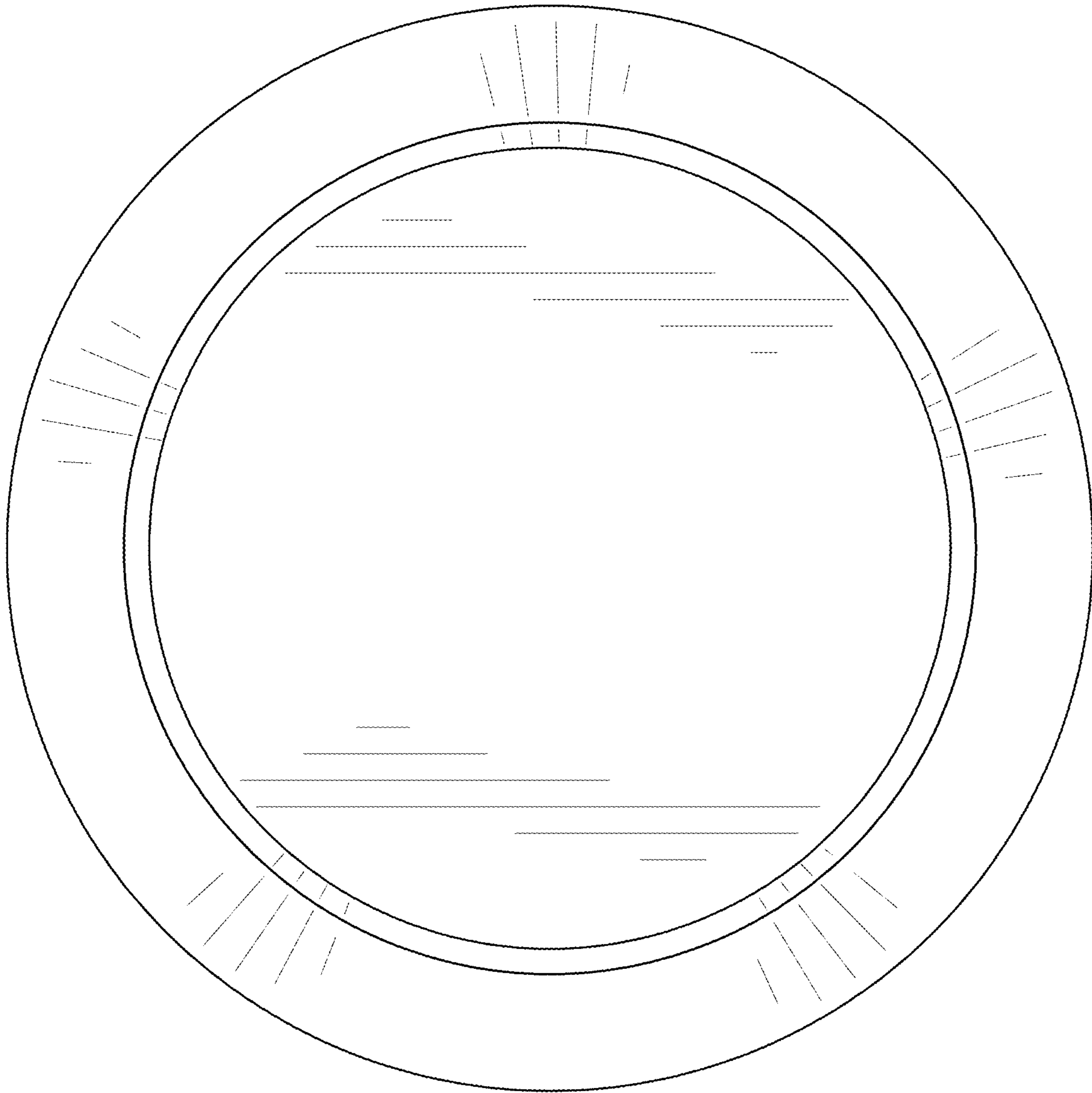


FIG. 5



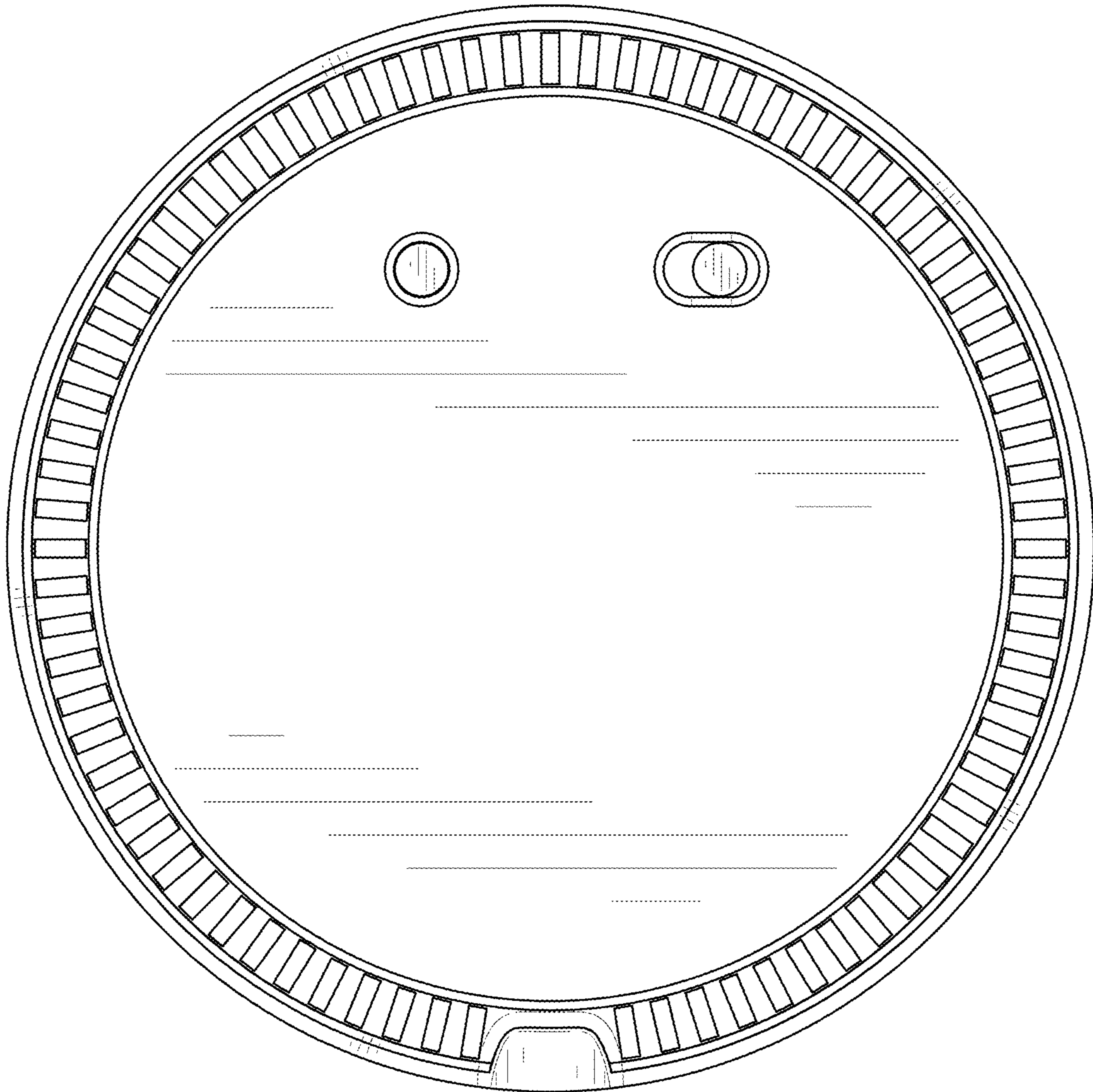


FIG. 6

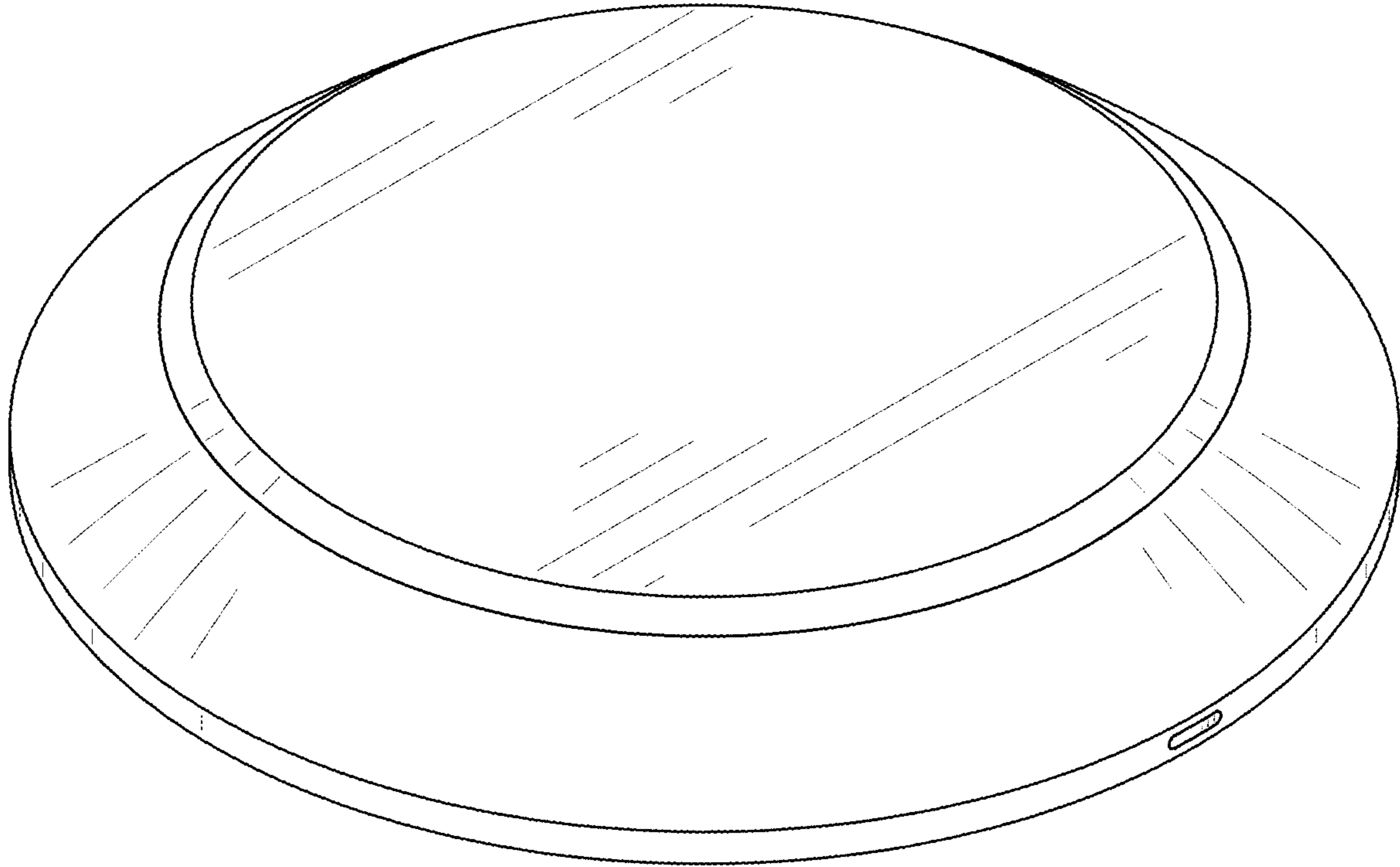


FIG. 7



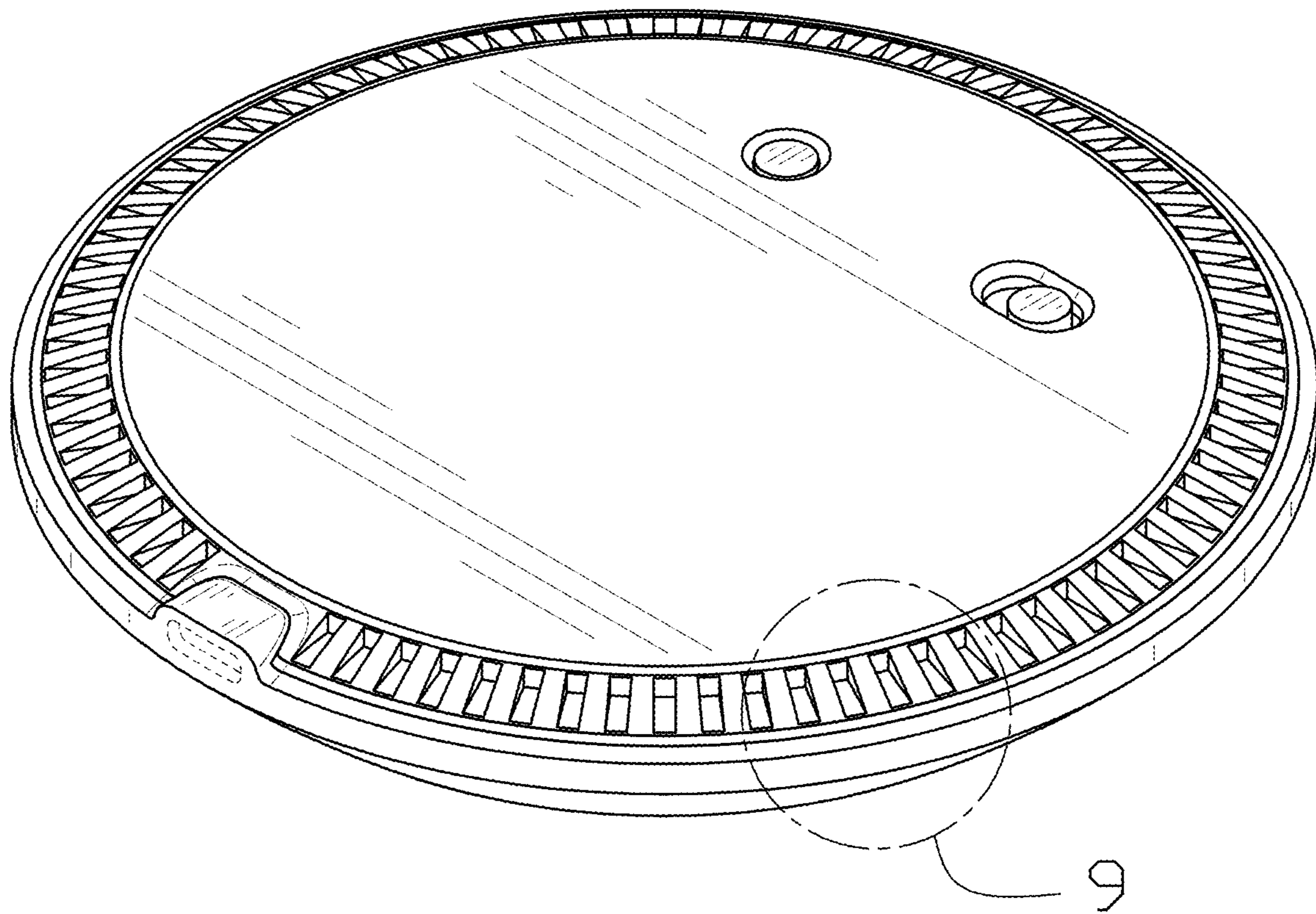


FIG. 8

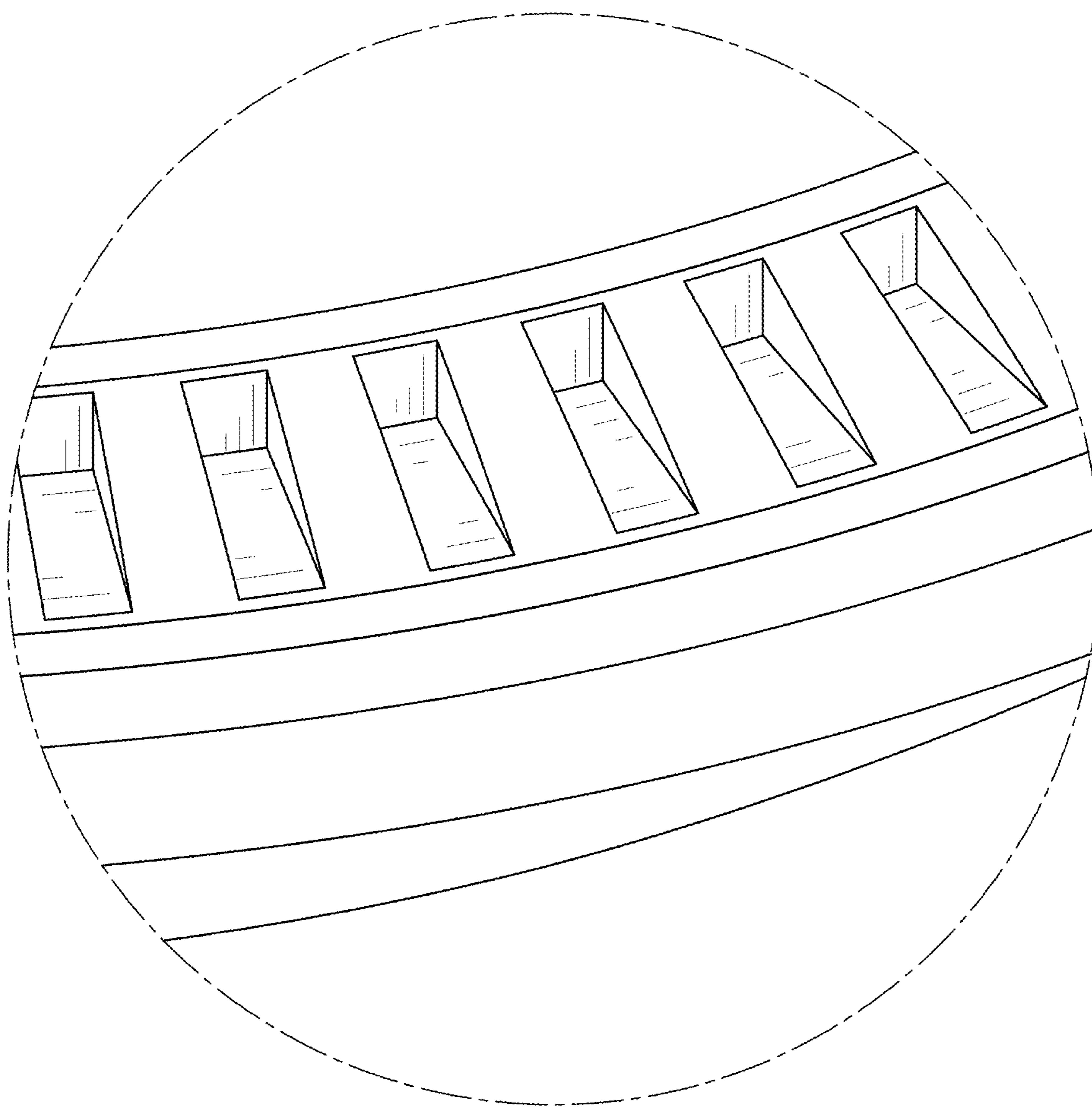


FIG. 9