



US00D897951S

(12) **United States Design Patent** (10) **Patent No.:** **US D897,951 S**  
**Lee** (45) **Date of Patent:** **\*\* Oct. 6, 2020**

(54) **ELECTRIC SWATTER HOLDER** D410,431 S \* 6/1999 Sasago ..... D13/107  
8,181,385 B2 \* 5/2012 Mars ..... A01M 3/025  
(71) Applicant: **James Lee**, Tustin, CA (US) 43/112  
D677,623 S \* 3/2013 Fitch ..... D13/108  
(72) Inventor: **James Lee**, Tustin, CA (US) D808,335 S \* 1/2018 Corander ..... D13/107  
D870,037 S \* 12/2019 Lee ..... D13/107  
(\*\*) Term: **15 Years** D883,925 S \* 5/2020 Yoon ..... D13/108

(21) Appl. No.: **29/680,052**

**OTHER PUBLICATIONS**

(22) Filed: **Feb. 13, 2019**

Modern Home e-Flyswatter Rechargeable Electric Fly Swatter with Flashlight, Overstock.com (Year: 2019).\*

(51) **LOC (12) Cl.** ..... **13-02**

(52) **U.S. Cl.**  
USPC ..... **D13/108**

\* cited by examiner

(58) **Field of Classification Search**  
USPC ..... D13/107-110, 118-119, 184, 199;  
43/137; D22/124

*Primary Examiner* — Catherine R Oliver-Garcia

(74) *Attorney, Agent, or Firm* — Chanmin Park

CPC ..... Y02E 60/10; Y02E 60/12; Y02E 60/122;  
Y02E 60/124; Y02E 60/50; H02J 7/00;  
H02J 7/0003; H02J 7/0011; H02J 7/0013;  
H02J 7/0054; H02J 7/0055; H02J 7/0057;  
H01M 10/44; H01M 10/46; H01M  
10/465; H01M 10/482; H01M 2/02;  
H01M 2/022; H01M 2/0202; H01M  
2/0207; H01M 2/0212; H01M 2/1061;  
H01M 2/1022; H01M 2/1055; H01M  
2/105; H01M 2/20; H01M 2/202; H01M  
2/204; H01M 2/206; H01M 2200/30;  
H01M 2250/30; H01M 2250/40

See application file for complete search history.

(57) **CLAIM**

The ornamental design for an electric swatter holder, as shown and described.

**DESCRIPTION**

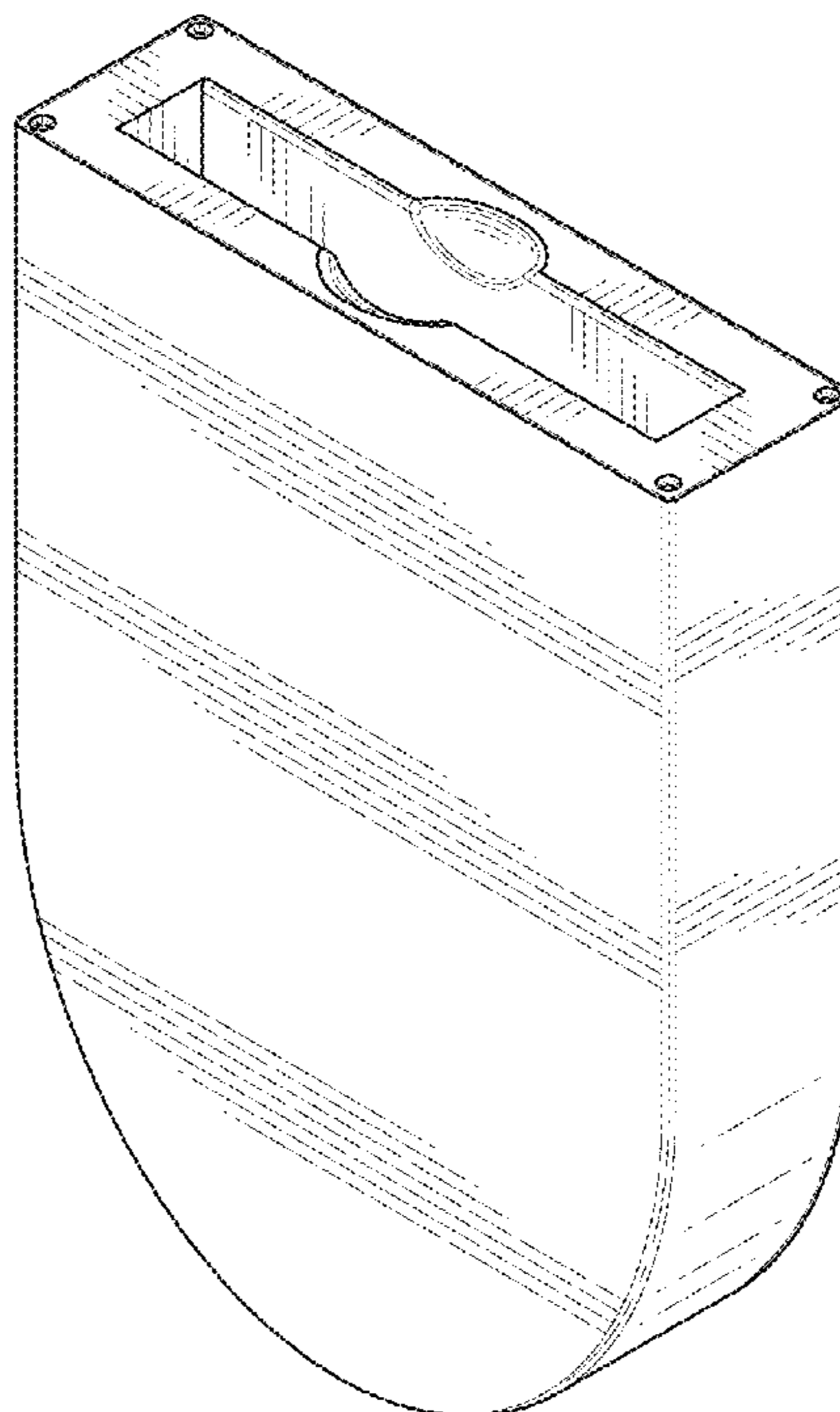
FIG. 1 is an elevation view of an electric swatter holder showing my design;  
FIG. 2 is a side elevation view thereof;  
FIG. 3 is a bottom plan view thereof;  
FIG. 4 is a top plan view thereof;  
FIG. 5 is a perspective view thereof, showing the cover separated from the body; and,  
FIG. 6 is a perspective view thereof, showing the cover as assembled to the body.

(56) **References Cited**

**U.S. PATENT DOCUMENTS**

4,910,909 A \* 3/1990 Johnson ..... A01M 3/02  
43/137  
5,533,298 A \* 7/1996 Teng ..... A01M 1/223  
43/112

**1 Claim, 6 Drawing Sheets**



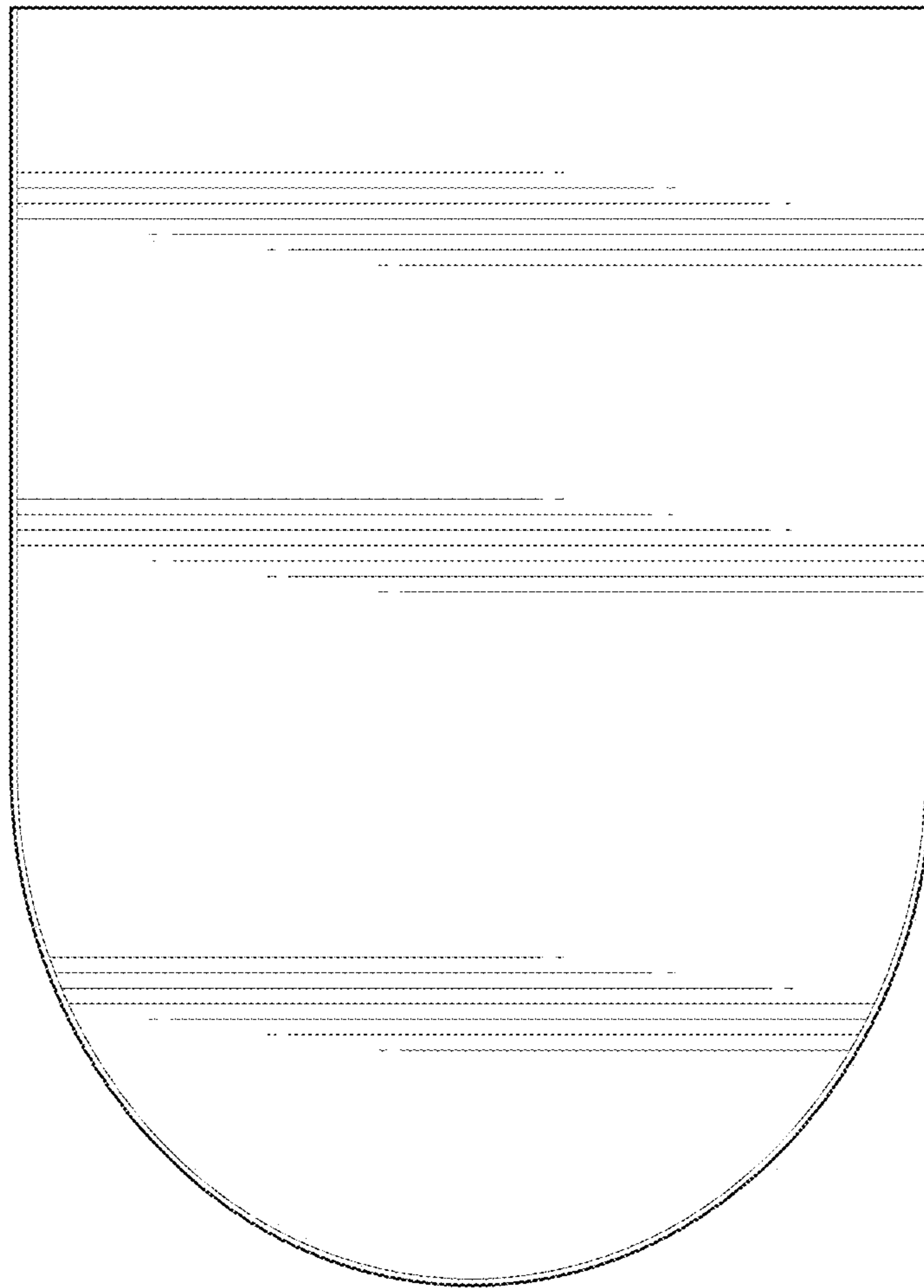


FIG. 1

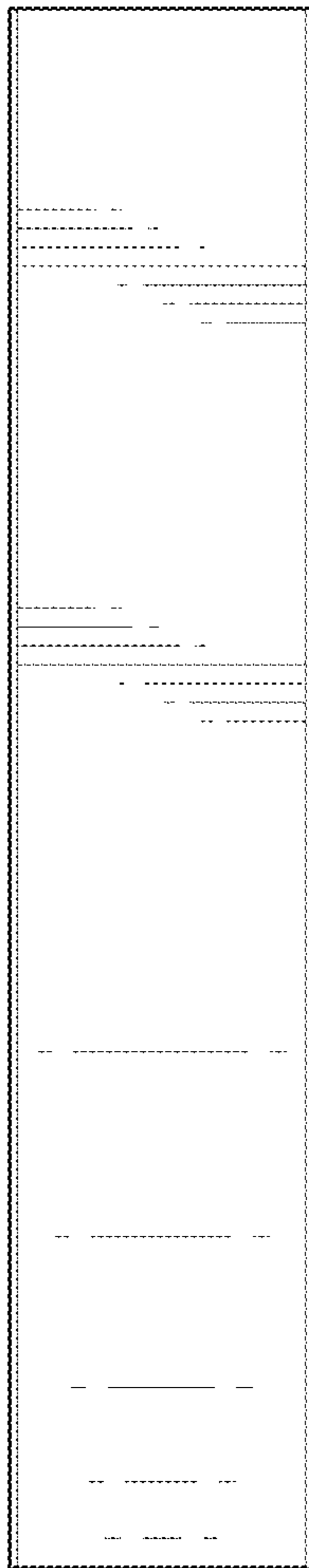


FIG. 2

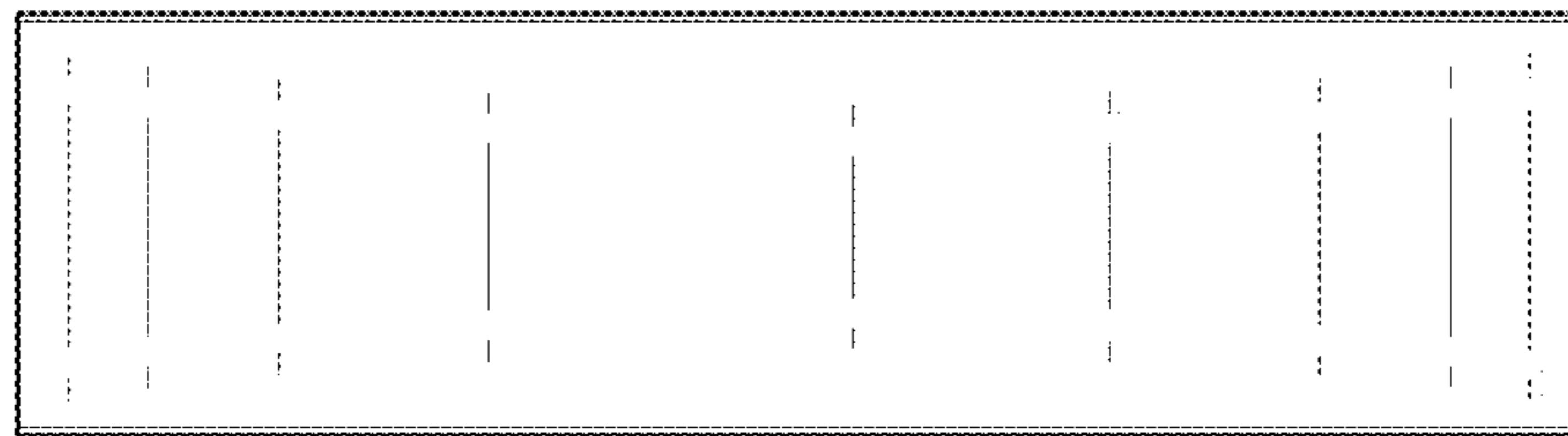


FIG. 3

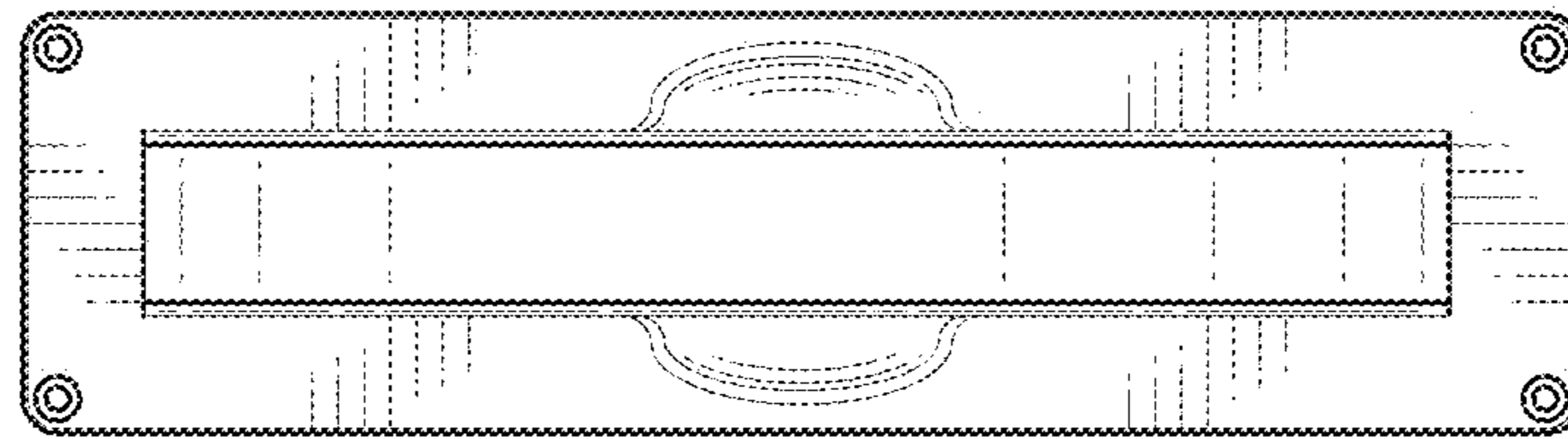


FIG. 4

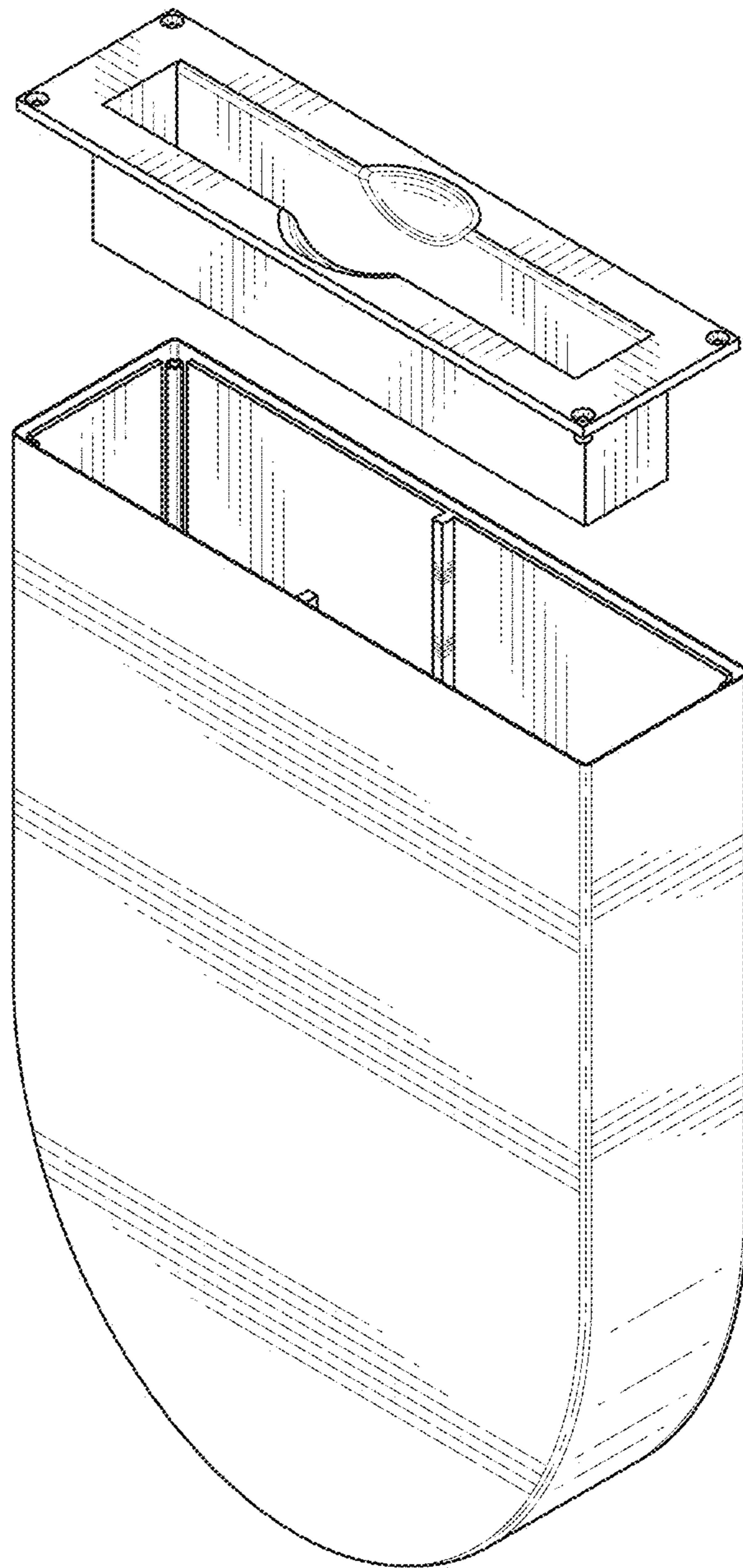


FIG. 5

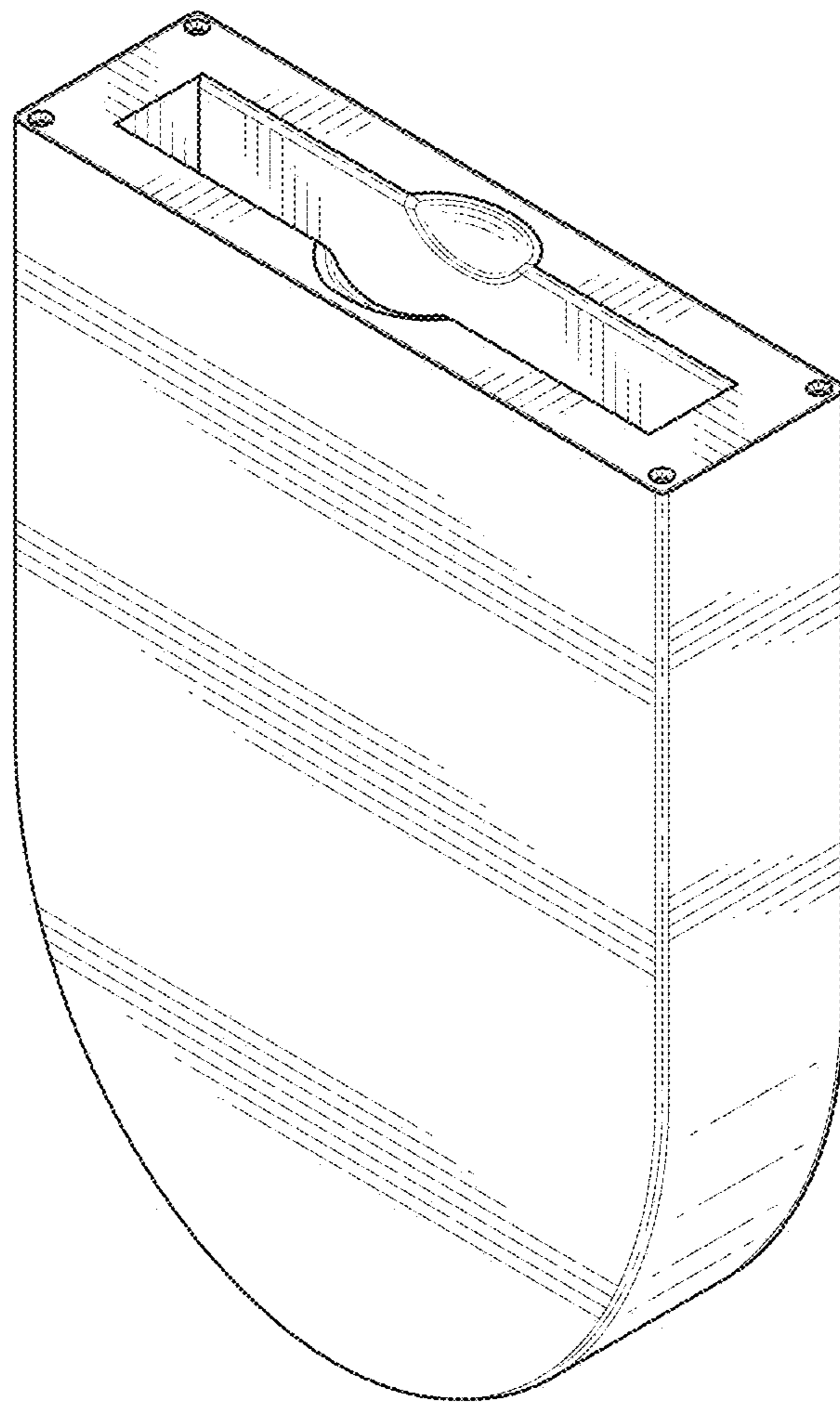


FIG. 6