



US00D897950S

(12) **United States Design Patent** (10) **Patent No.:** **US D897,950 S**
Bailey et al. (45) **Date of Patent:** **** Oct. 6, 2020**

(54) **USB CHARGING CONNECTOR FOR E-VAPOR DEVICE**

D610,157 S 2/2010 Ma
D618,224 S 6/2010 Tong et al.
D618,226 S * 6/2010 Tong D13/133
(Continued)

(71) Applicant: **Altria Client Services LLC**,
Richmond, VA (US)

FOREIGN PATENT DOCUMENTS

(72) Inventors: **Ryan A. Bailey**, Richmond, VA (US);
Charles Dendy, Richmond, VA (US)

CN 201094280 Y 8/2008
JP 2012090427 A 5/2012
WO WO-2015127429 A1 8/2015

(73) Assignee: **Altria Client Services LLC**,
Richmond, VA (US)

OTHER PUBLICATIONS

(**) Term: **15 Years**

“Electronic Cigarette USB Charging Cable ego charger works with EGO series battery” Zainy.net, <http://zainy.net/home/380-electronic-cigarette-usb-charging-cable-ego-charger-works-with-ego-series-battery.html>.

(21) Appl. No.: **29/663,787**

(Continued)

(22) Filed: **Sep. 19, 2018**

Related U.S. Application Data

Primary Examiner — Catherine S Posthauer

Assistant Examiner — Alison M Ofstun

(63) Continuation of application No. 29/572,678, filed on Jul. 29, 2016, now Pat. No. Des. 830,298.

(74) *Attorney, Agent, or Firm* — Harness, Dickey & Pierce, P.L.C.

(51) **LOC (12) Cl.** **13-02**

(57) **CLAIM**

(52) **U.S. Cl.**
USPC **D13/108; D27/194**

The ornamental design for USB charging connector for e-vapor device, as shown and described.

(58) **Field of Classification Search**

DESCRIPTION

USPC D13/102–110, 118–119, 184, 199, 154, D13/147, 133, 153, 146; D14/251, 253, D14/356, 432; D27/194
CPC Y02E 60/12; Y02T 90/14; Y02T 90/122; Y02T 90/128; Y02T 90/163; H02J 7/025; H02J 7/0042; H02J 7/0044; H02J 7/0045; H02J 7/0003; H01F 38/14; H01R 13/6675; H01M 2/1022; H01M 2/1055; H01M 10/44; H01M 10/46; H01M 10/425; B60L 11/182
See application file for complete search history.

FIG. 1 is a first top perspective view of a USB charging connector for an e-vapor device, showing our new design; FIG. 2 is a second top perspective view thereof; FIG. 3 is a third top perspective view thereof; FIG. 4 is a bottom perspective view thereof; FIG. 5 is a top view thereof; FIG. 6 is a bottom view thereof; FIG. 7 is a back view thereof; FIG. 8 is a front view thereof; FIG. 9 is a left side view thereof; and, FIG. 10 is a right side view thereof.

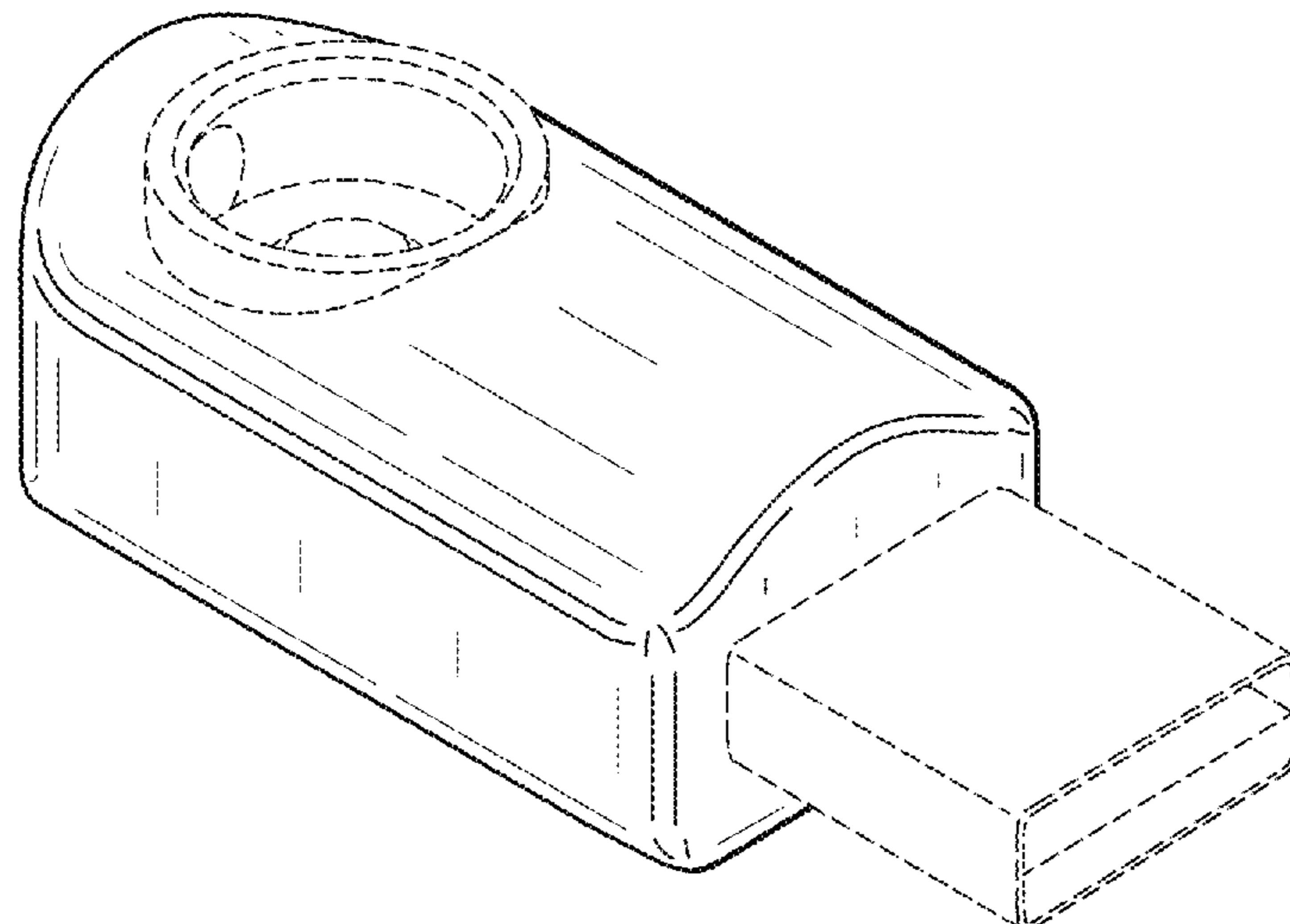
The portions of the design shown in broken lines form no part of the claimed design.

(56) **References Cited**

U.S. PATENT DOCUMENTS

1 Claim, 7 Drawing Sheets

D507,569 S * 7/2005 Tagliabue D14/356
D541,797 S 5/2007 Chen



(56)

References Cited

U.S. PATENT DOCUMENTS

D622,276 S 8/2010 Tran et al.
 D624,012 S * 9/2010 de Medeiros D13/103
 D631,053 S 1/2011 Bailey
 D631,055 S 1/2011 Gilbert et al.
 D639,303 S 6/2011 Ni et al.
 D669,027 S 10/2012 Kumpula et al.
 D682,841 S 5/2013 Suetake et al.
 D686,987 S 7/2013 Vanstone et al.
 D704,629 S 5/2014 Liu
 D704,634 S 5/2014 Eidelman et al.
 8,973,587 B2 3/2015 Liu
 9,032,968 B2 5/2015 Glasberg et al.
 9,066,543 B2 6/2015 Cameron
 D733,650 S 7/2015 Liu
 D733,651 S 7/2015 Liu
 D736,148 S 8/2015 Liu
 D736,149 S 8/2015 Liu
 D736,150 S 8/2015 Liu
 D736,702 S 8/2015 Ovadia
 D736,704 S 8/2015 Liu
 D737,201 S 8/2015 Liu
 D737,202 S * 8/2015 Liu D13/108
 9,197,726 B2 11/2015 Stanimirovic et al.
 D744,419 S 12/2015 Bowen et al.
 D749,510 S 2/2016 Liu
 D750,096 S 2/2016 Ozolins et al.
 9,247,773 B2 2/2016 Memari et al.
 D751,502 S 3/2016 Riner

9,282,772 B2 3/2016 Tucker et al.
 D809,782 S * 2/2018 von Badinski D3/208
 D816,025 S * 4/2018 Thompson D13/108
 D830,298 S * 10/2018 Bailey D13/108
 D834,023 S * 11/2018 Yang D14/432
 D881,877 S * 4/2020 Montanari D14/356
 D885,333 S * 5/2020 von Badinski D13/108
 2007/0015407 A1 * 1/2007 Loftus H01R 13/4538
 439/607.01
 2008/0276099 A1 11/2008 Nguyen et al.
 2013/0284192 A1 10/2013 Peleg et al.
 2013/0306692 A1 11/2013 Mangum et al.
 2014/0007891 A1 1/2014 Liu
 2014/0123990 A1 5/2014 Timmermans
 2014/0224267 A1 8/2014 Levitz et al.
 2015/0020831 A1 1/2015 Weigensberg et al.
 2015/0102777 A1 4/2015 Cooper
 2015/0150305 A1 6/2015 Shenkal
 2015/0224268 A1 8/2015 Henry et al.
 2015/0272223 A1 10/2015 Weigensberg et al.
 2015/0333552 A1 11/2015 Alarcon
 2016/0066619 A1 3/2016 Di Carlo

OTHER PUBLICATIONS

“Premium Electronic Vapor Cigarette USB Charger (Female)—
 Pack of 2” Amazon.com, <http://www.amazon.com/Premium-Electronic-Cigarette-Charger-Female/dp/B00BMS8E0C>.

* cited by examiner

FIG. 1

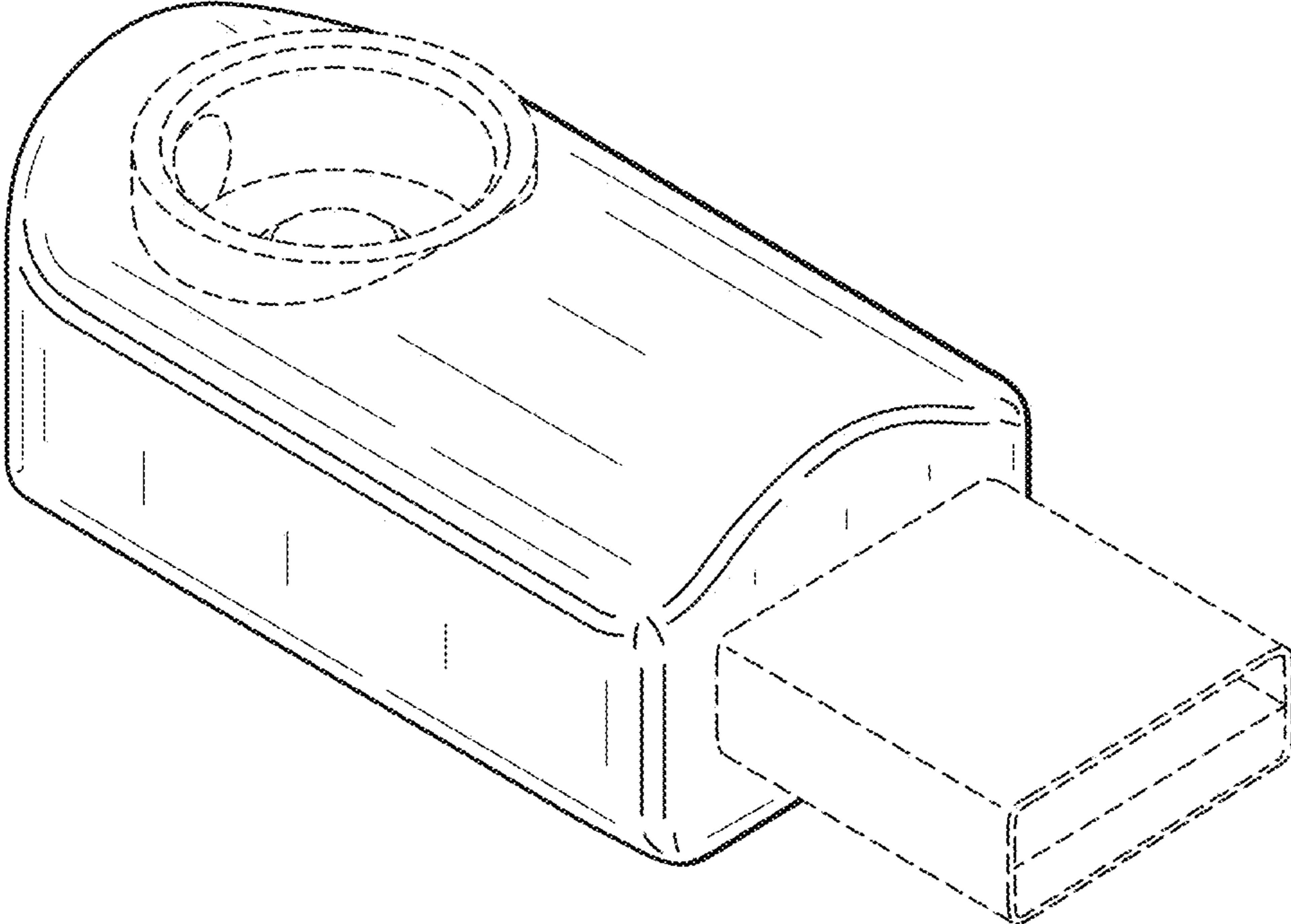


FIG. 2

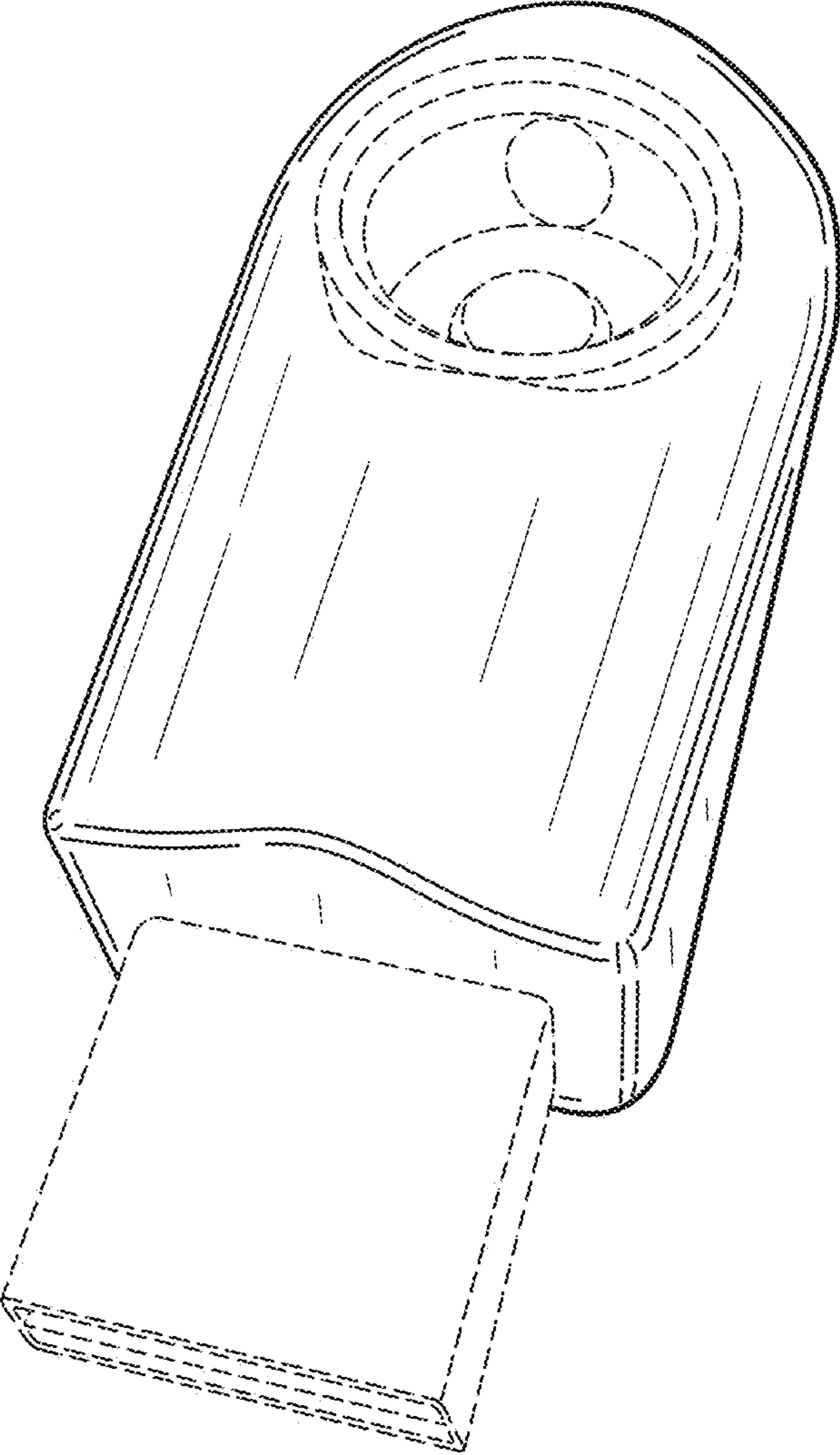


FIG. 3

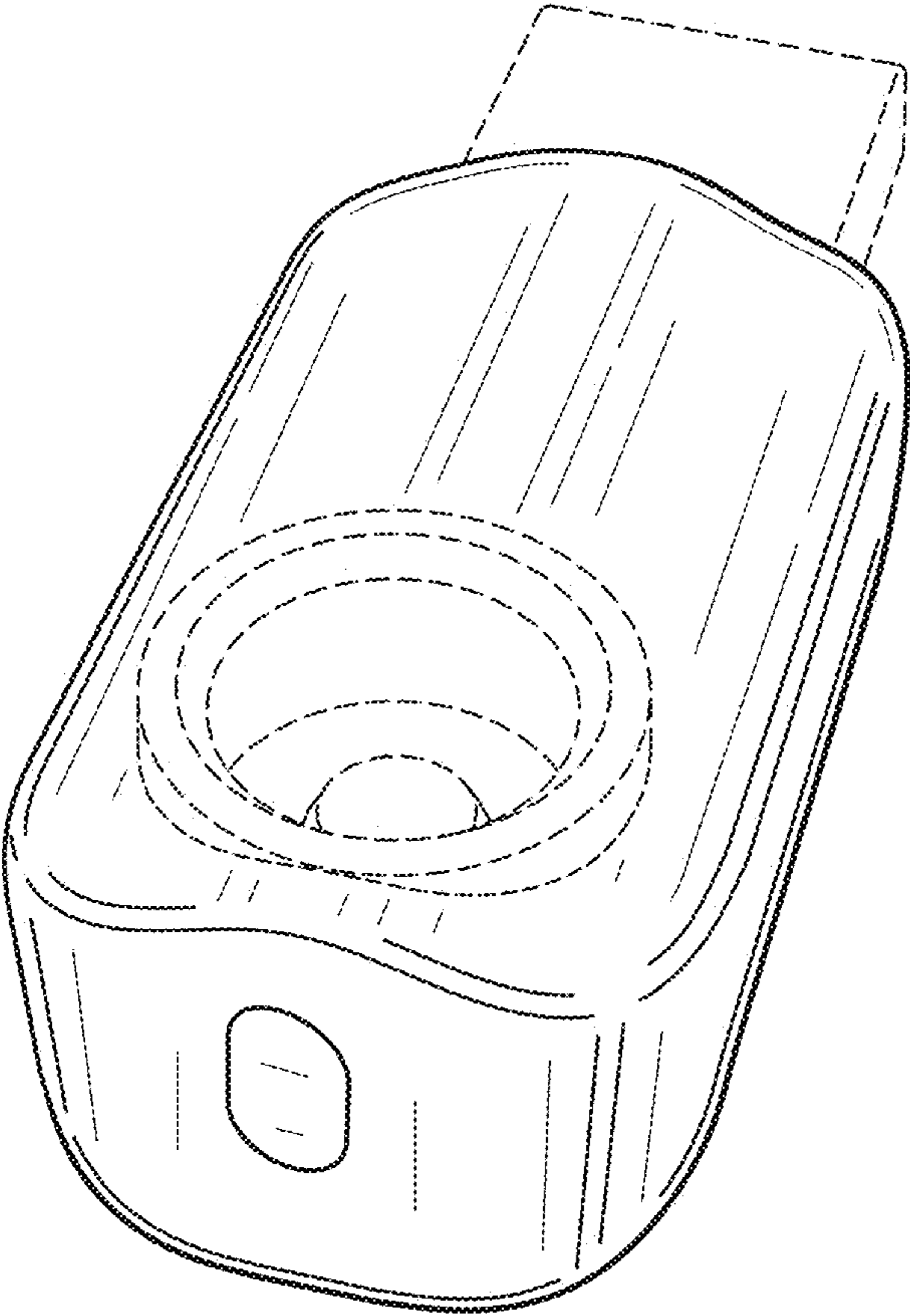


FIG. 4

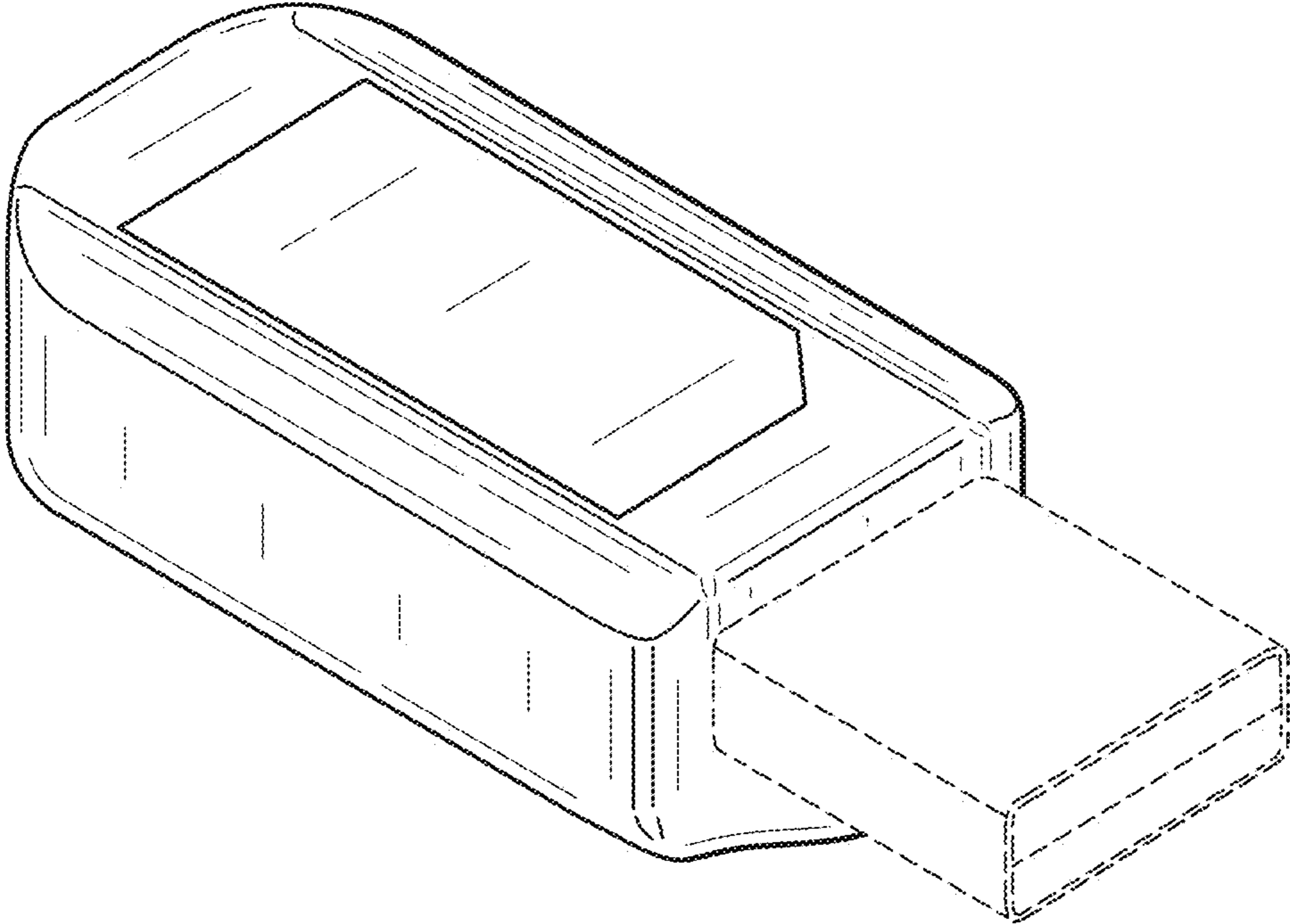


FIG. 5

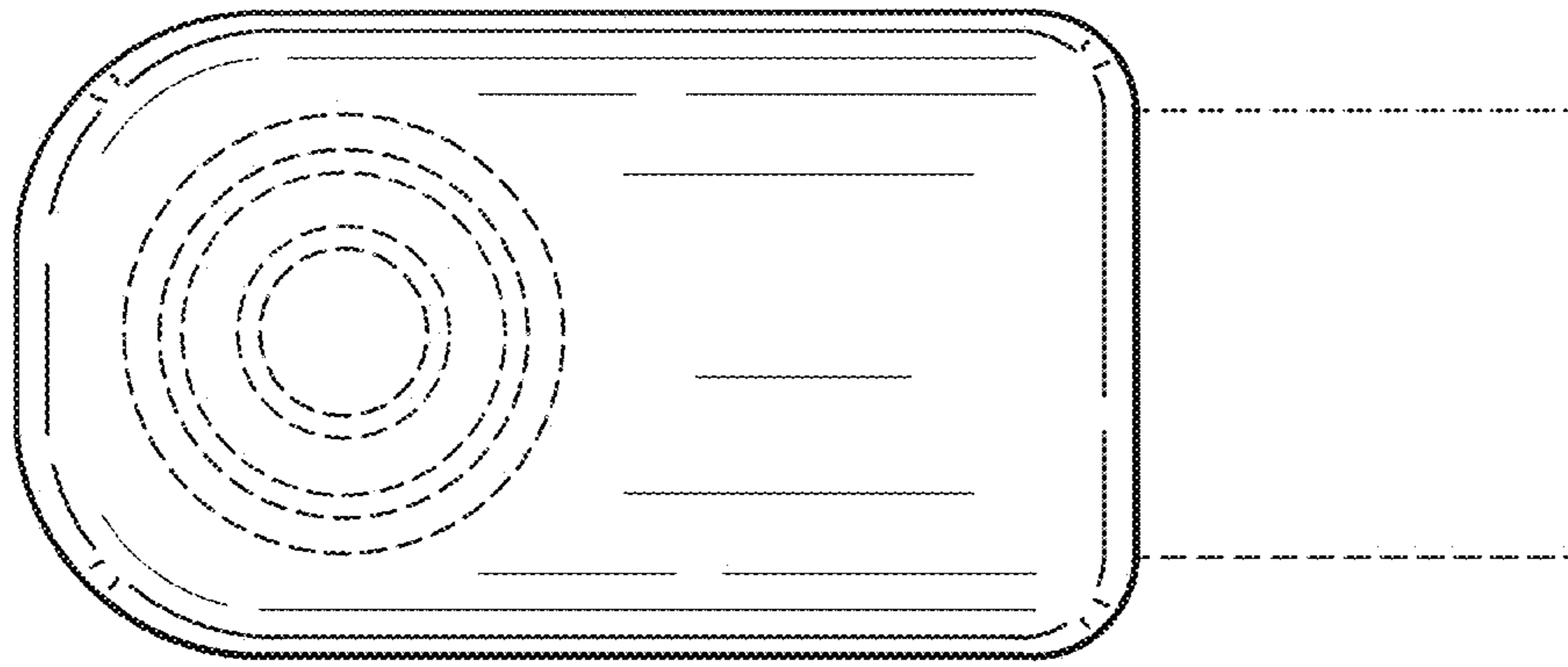


FIG. 6

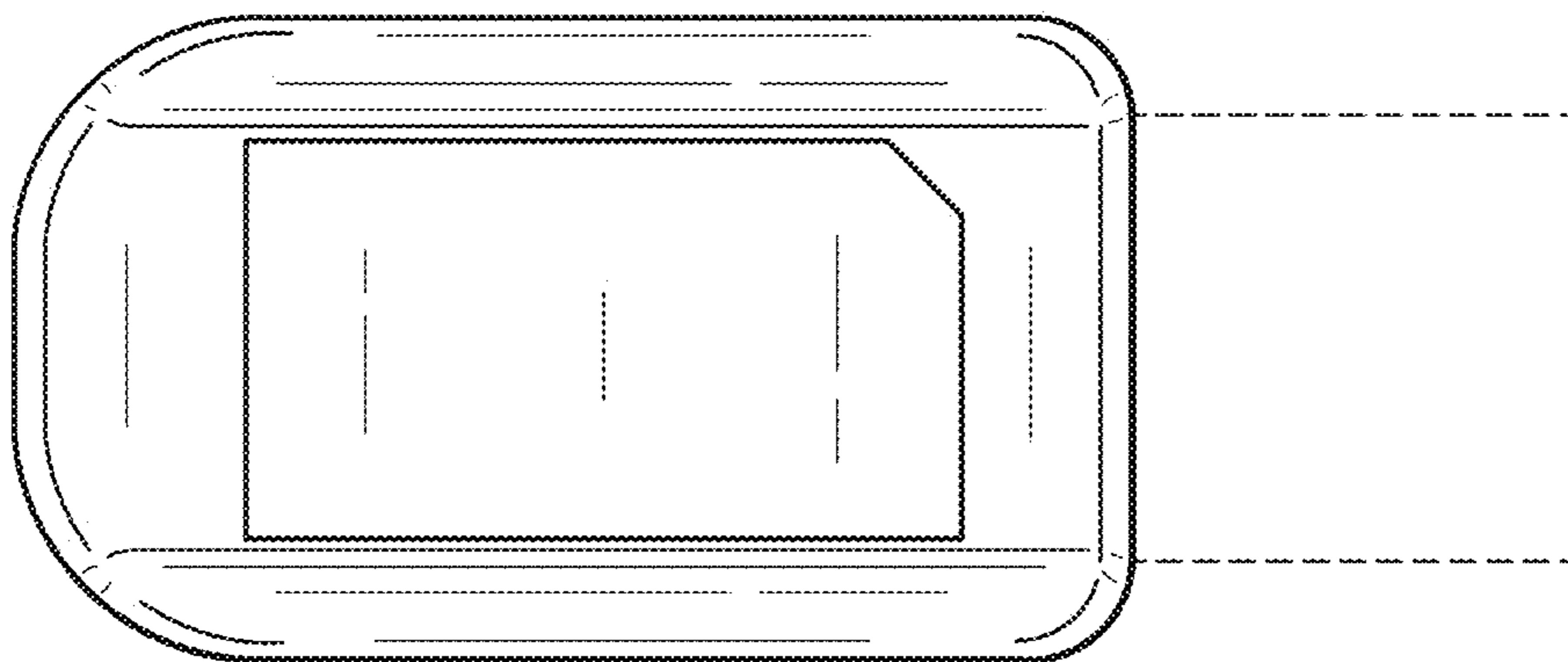


FIG. 7

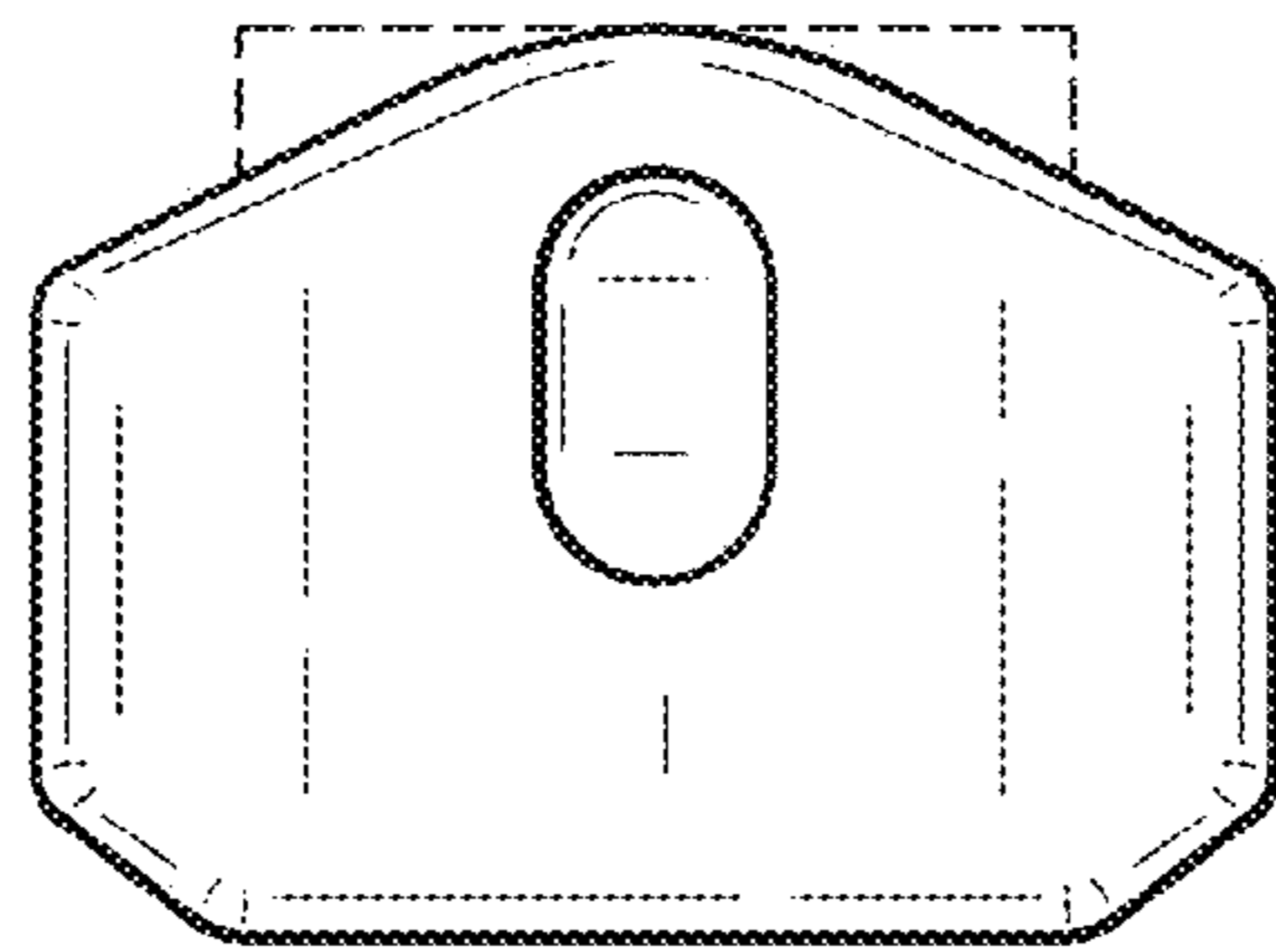


FIG. 8

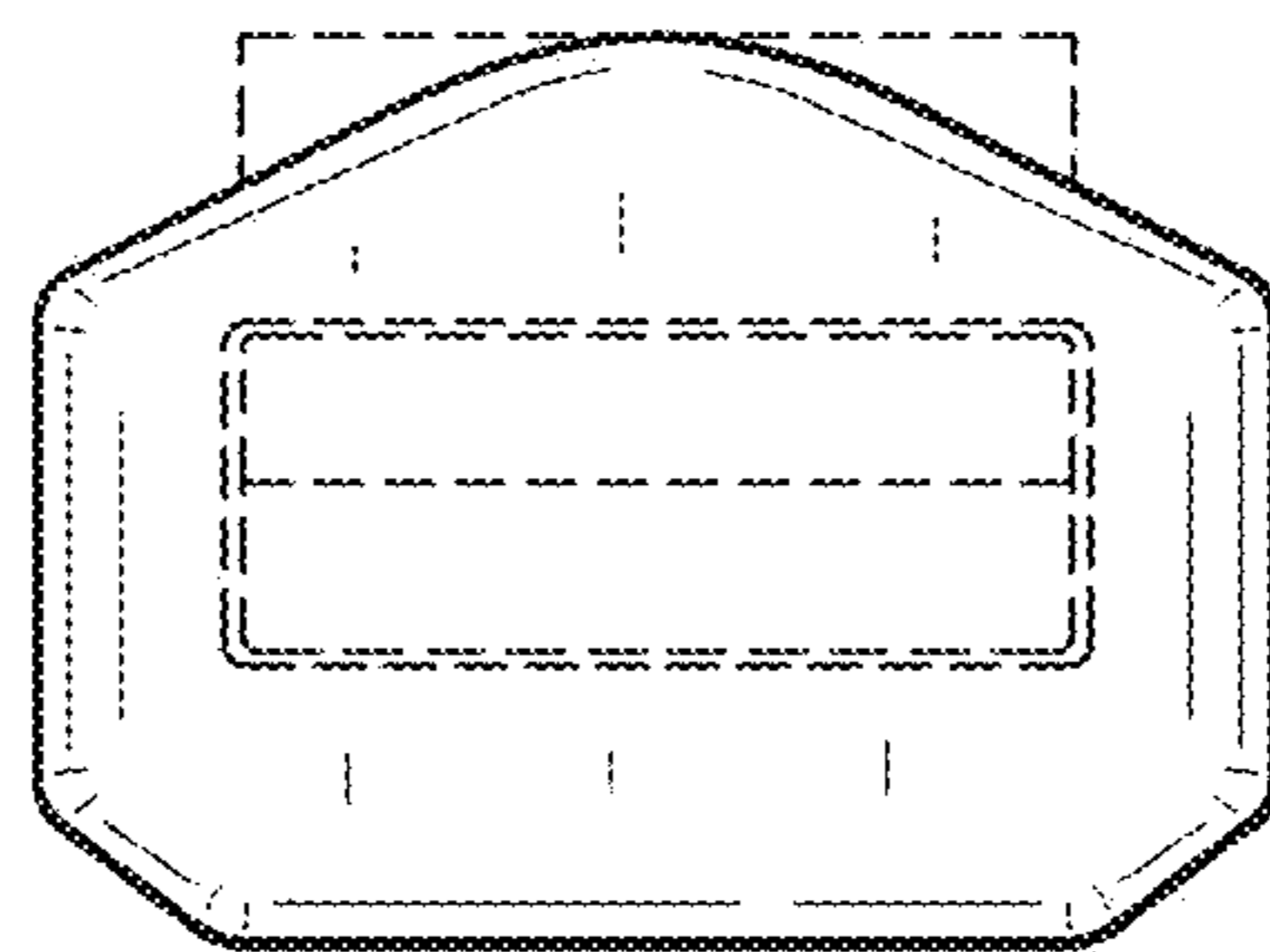


FIG. 9

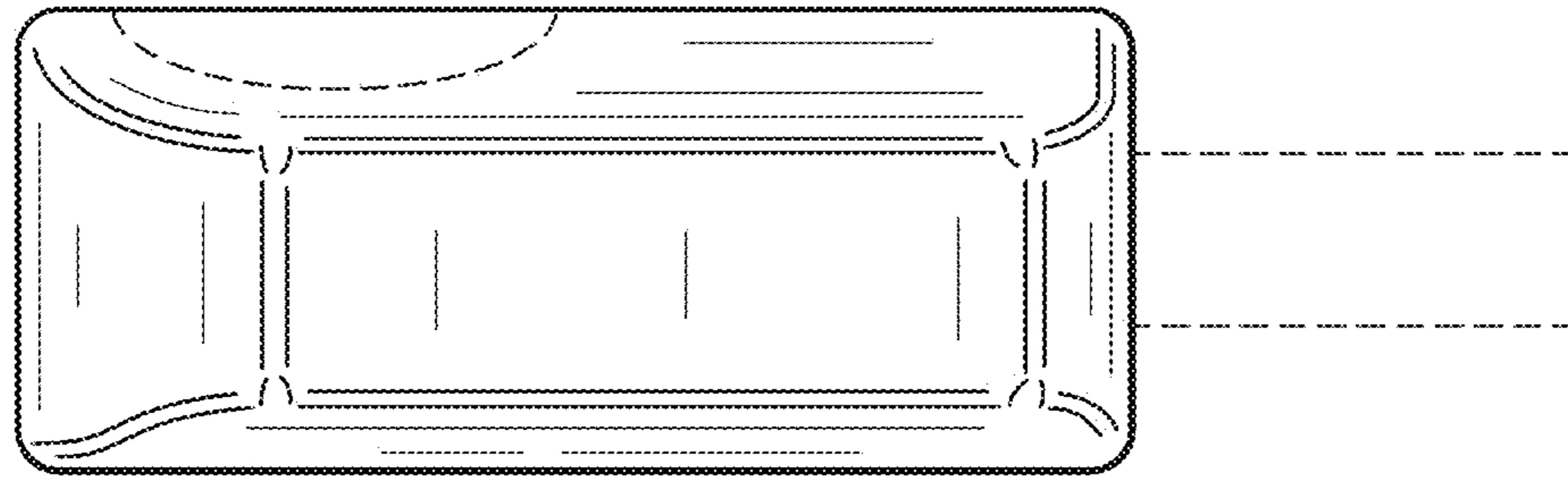


FIG. 10

