



US00D897948S

(12) **United States Design Patent** (10) **Patent No.:** **US D897,948 S**  
**Yrad, Jr.** (45) **Date of Patent:** **\*\* Oct. 6, 2020**

(54) **BATTERY CHARGER**  
(71) Applicant: **Ridge Tool Company**, Elyria, OH (US)  
(72) Inventor: **Billy Odon M. Yrad, Jr.**, Elyria, OH (US)  
(73) Assignee: **Ridge Tool Company**, Elyria, OH (US)  
(\*\*) Term: **15 Years**

D605,111 S \* 12/2009 Schoch ..... D13/107  
D610,085 S \* 2/2010 Sweeney ..... D13/107  
D635,917 S \* 4/2011 Okuda ..... D13/107  
D636,723 S \* 4/2011 Yamamoto ..... D13/107  
D642,518 S \* 8/2011 Kokawa ..... D13/107  
D652,793 S \* 1/2012 Tschopp ..... D13/107  
D654,018 S \* 2/2012 Conley ..... D13/107  
D754,600 S \* 4/2016 Lin ..... D13/110  
D791,696 S \* 7/2017 Tinius ..... D13/107  
D855,019 S \* 7/2019 Rustill ..... D13/108  
D885,331 S \* 5/2020 Suzuki ..... D13/108

\* cited by examiner

(21) Appl. No.: **29/701,221**  
(22) Filed: **Aug. 9, 2019**  
(51) **LOC (12) Cl.** ..... **13-02**  
(52) **U.S. Cl.**  
USPC ..... **D13/107**  
(58) **Field of Classification Search**  
USPC ..... D13/103, 107-108, 110, 184, 199;  
D14/251, 253, 432, 434  
CPC ..... H02J 7/0044; H02J 7/0045; H02J 7/0042;  
H02J 7/342; H02J 7/345; H02J 7/025;  
H02J 7/026; H02J 7/0007; H02J 7/0027;  
H02J 7/0003; H02J 50/00; H02J 50/10;  
H02J 50/12; H02J 50/80; H02J 50/40;  
H02J 50/402; H02J 50/50  
See application file for complete search history.

*Primary Examiner* — Rosemary K Tarca  
(74) *Attorney, Agent, or Firm* — Mark E. Bandy; Rankin, Hill & Clark LLP

(57) **CLAIM**

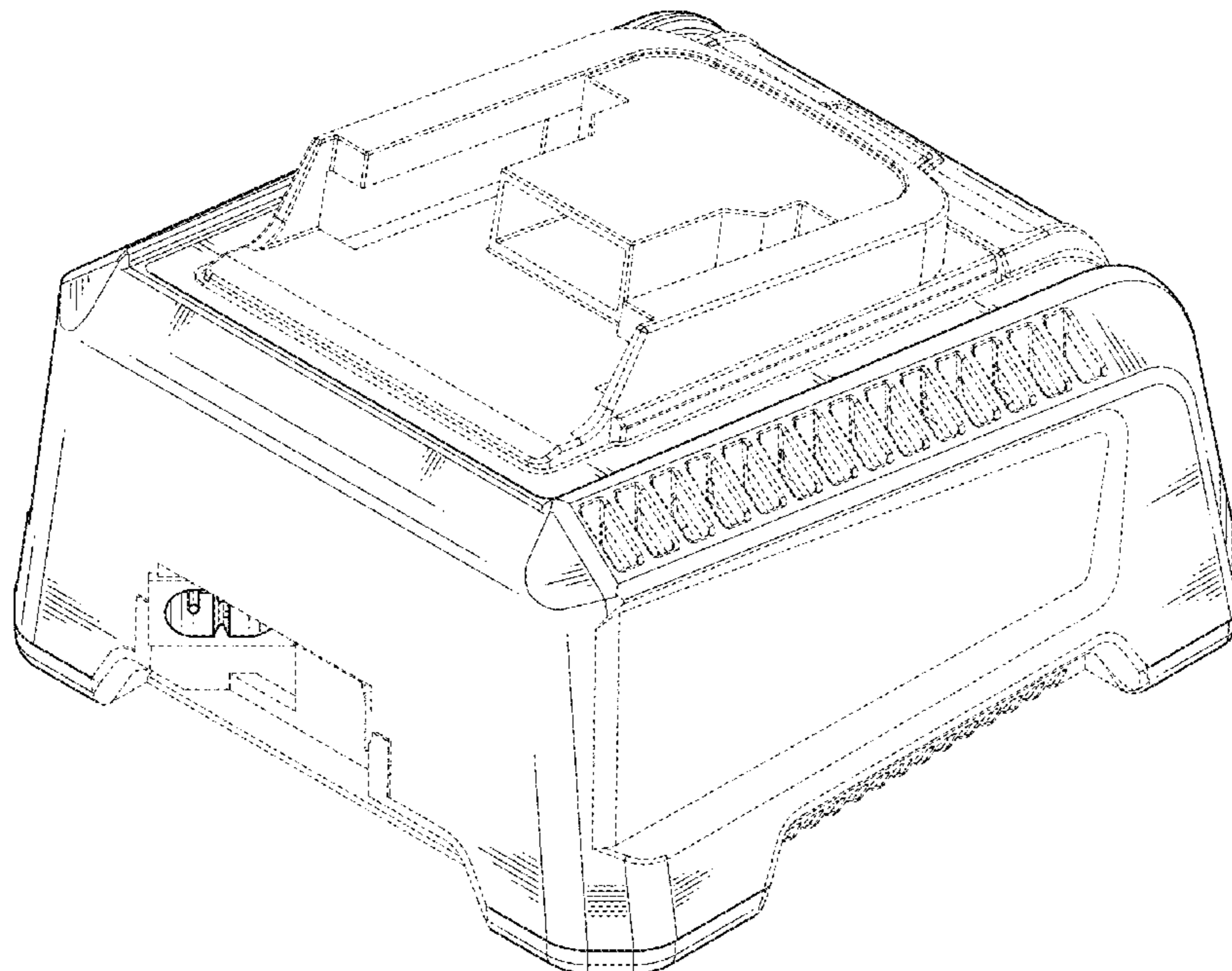
The ornamental design for a battery charger, as shown and described.

**DESCRIPTION**

FIG. 1 is a front right perspective view of an embodiment of a battery charger.  
FIG. 2 is a rear view of the battery charger of FIG. 1.  
FIG. 3 is a left side view of the battery charger of FIG. 1.  
FIG. 4 is a right side view of the battery charger of FIG. 1.  
FIG. 5 is a front view of the battery charger of FIG. 1.  
FIG. 6 is a top plan view of the battery charger of FIG. 1.  
FIG. 7 is a bottom plan view of the battery charger of FIG. 1; and,  
FIG. 8 is a front left perspective view of the battery charger of FIG. 1.  
The broken lines shown in the drawings are for the purpose of illustrating portions of the battery charger that form no part of the claimed design.

(56) **References Cited**  
U.S. PATENT DOCUMENTS  
D313,221 S \* 12/1990 Skully ..... D13/108  
D368,098 S \* 3/1996 Su ..... D13/108  
5,689,171 A \* 11/1997 Ludewig ..... H02J 7/0042  
320/110  
D430,537 S \* 9/2000 Etter ..... D13/107  
6,346,793 B1 \* 2/2002 Shibata ..... H02J 7/0042  
320/107  
D505,913 S \* 6/2005 Kam Lun ..... D13/107

**1 Claim, 8 Drawing Sheets**



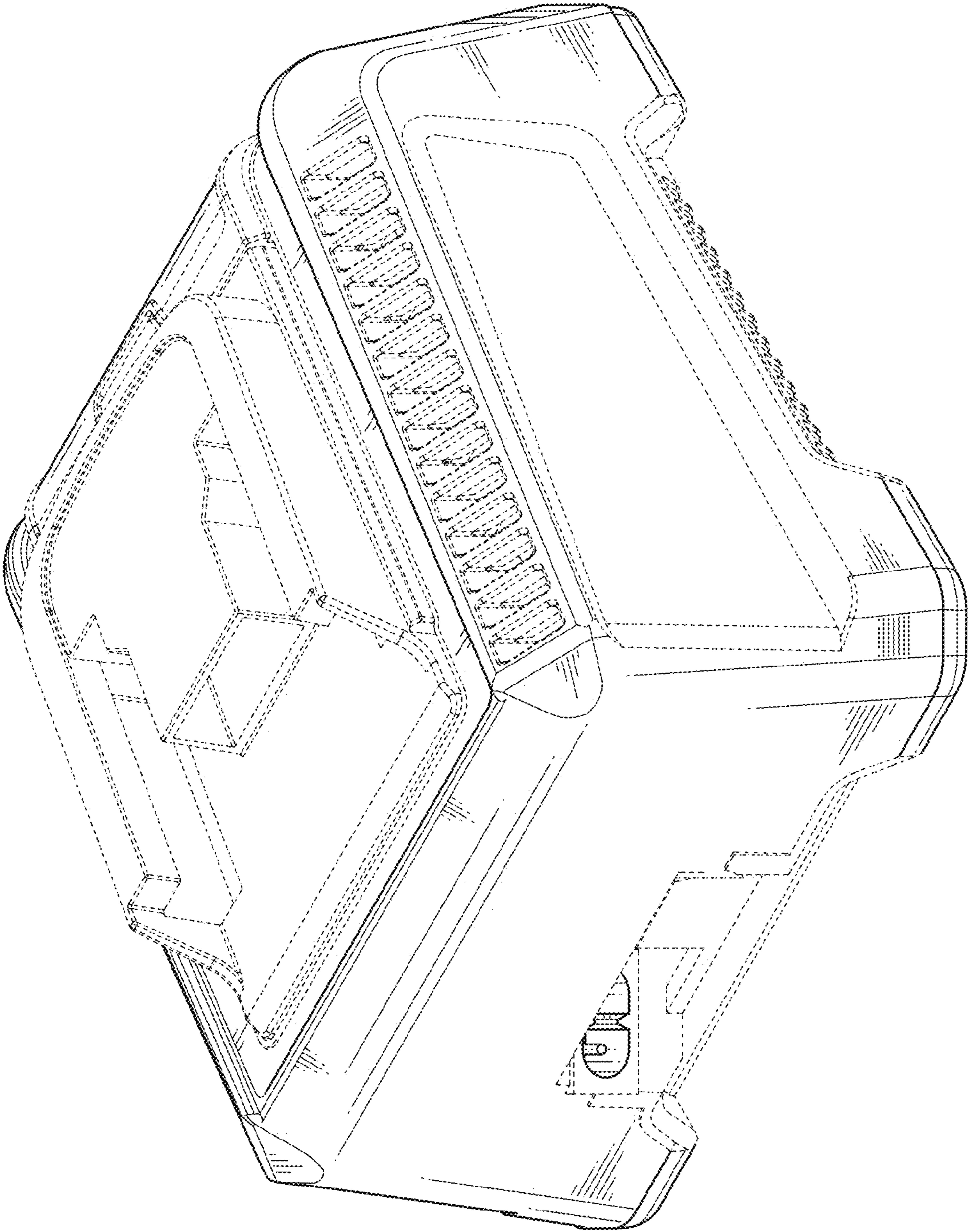


FIG. 1

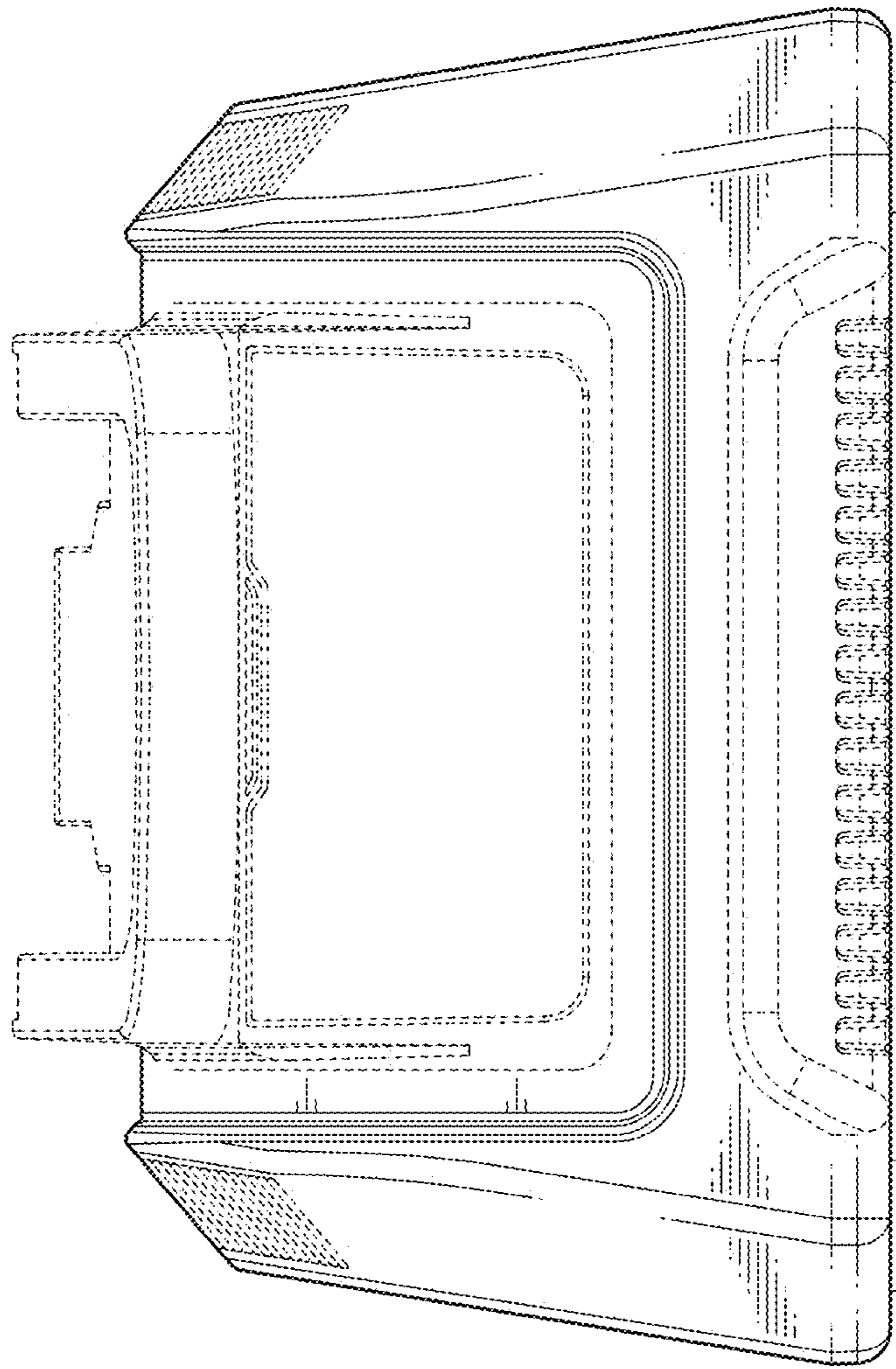


FIG. 2

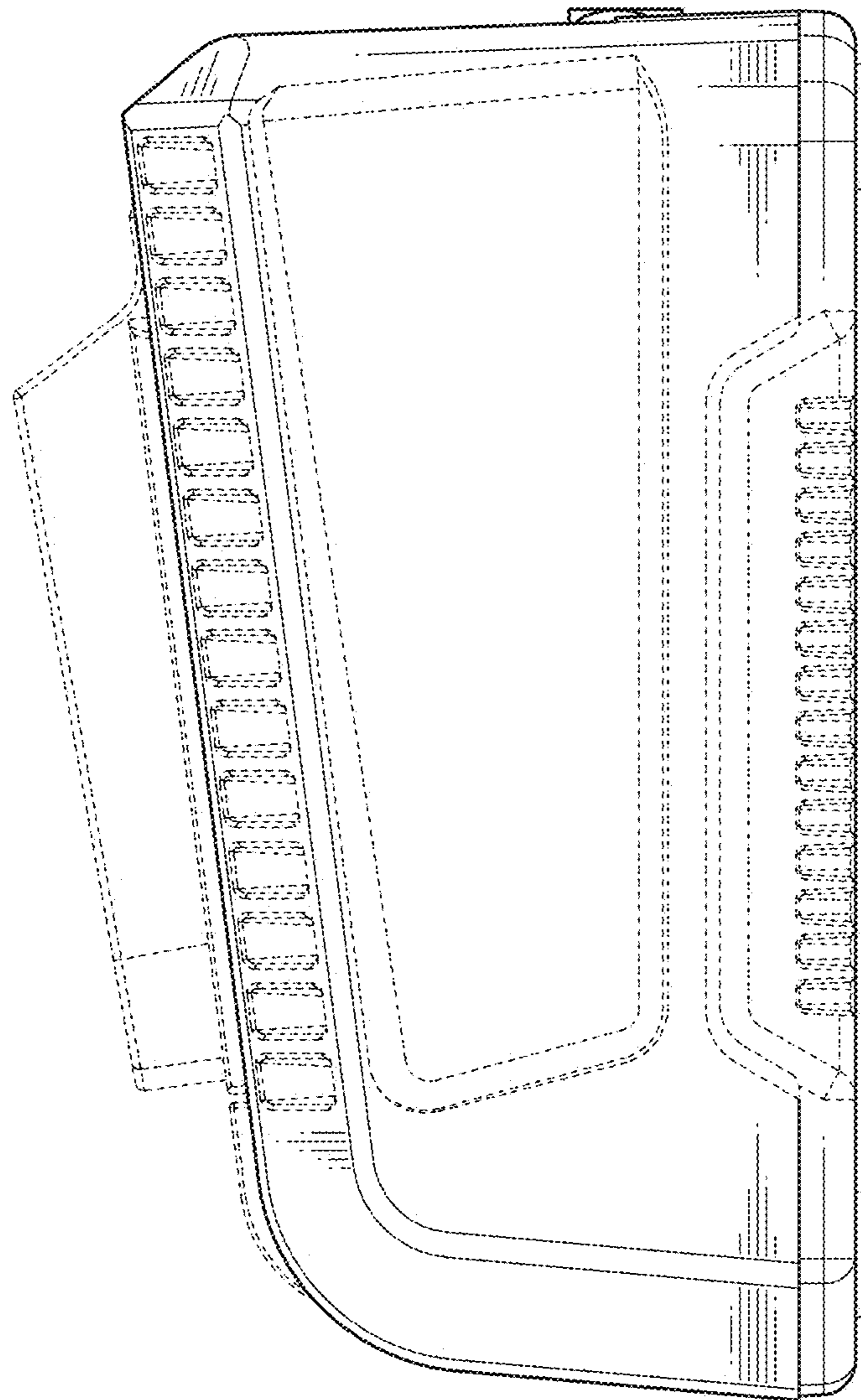


FIG. 3

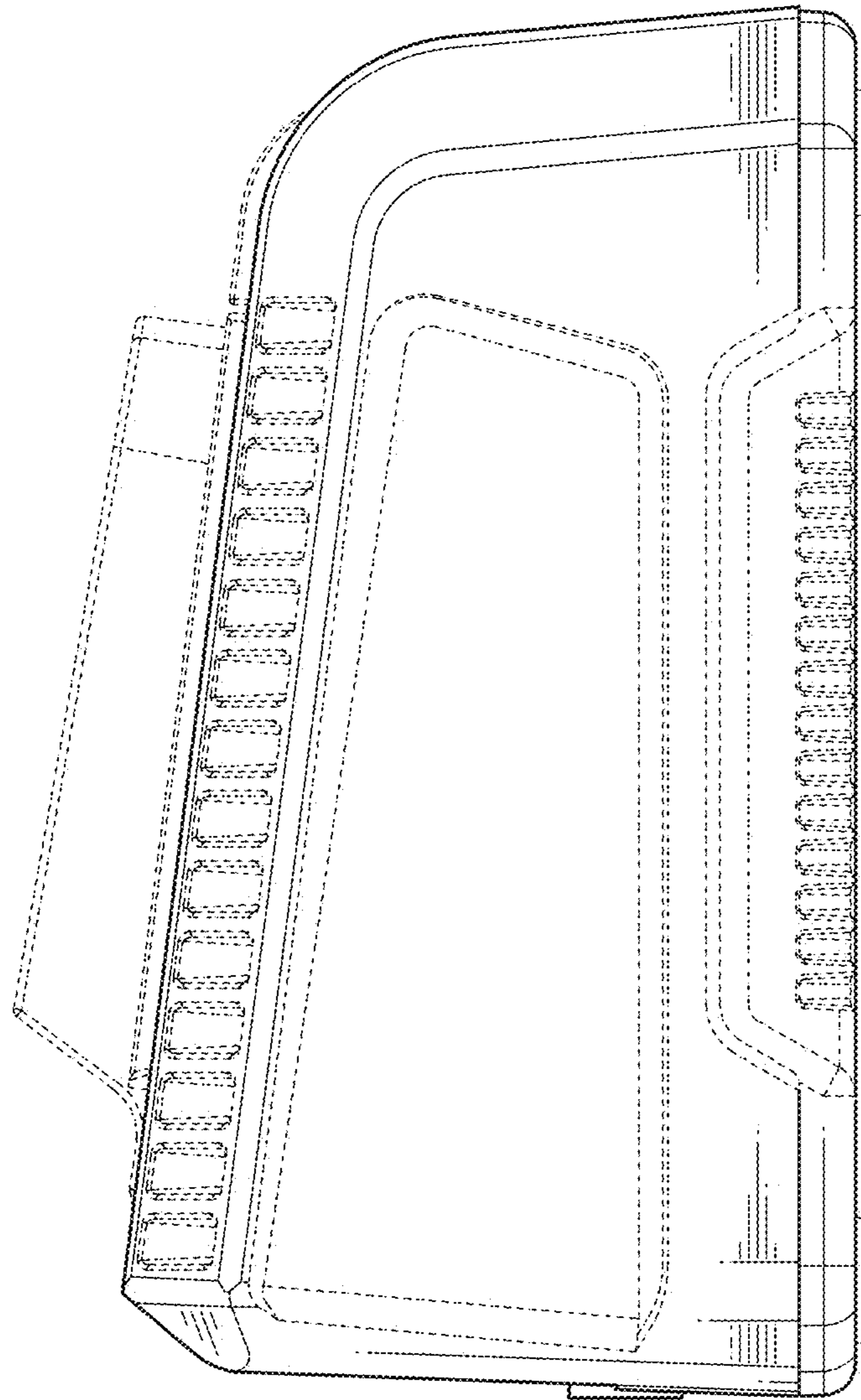


FIG. 4

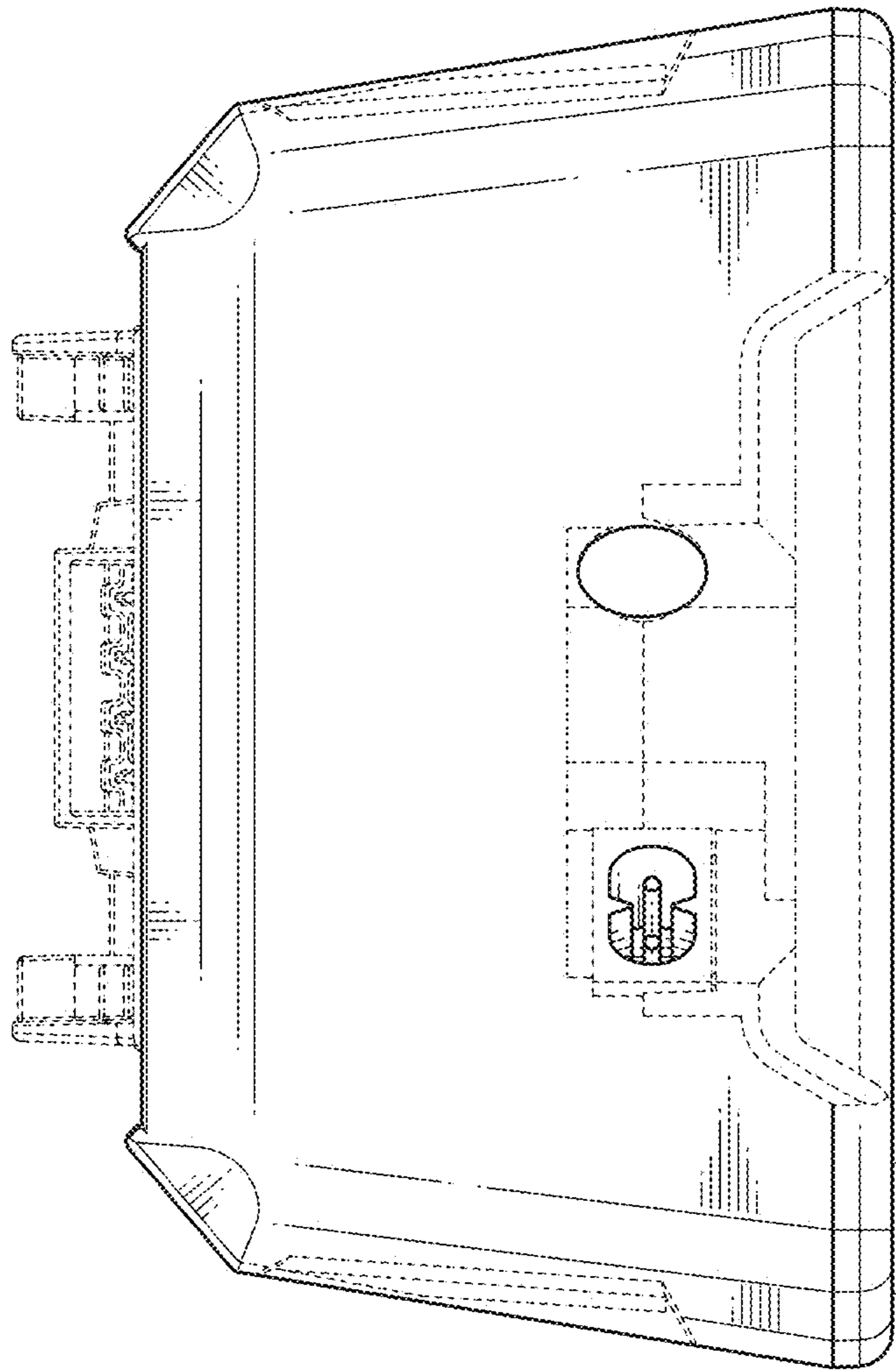


FIG. 5

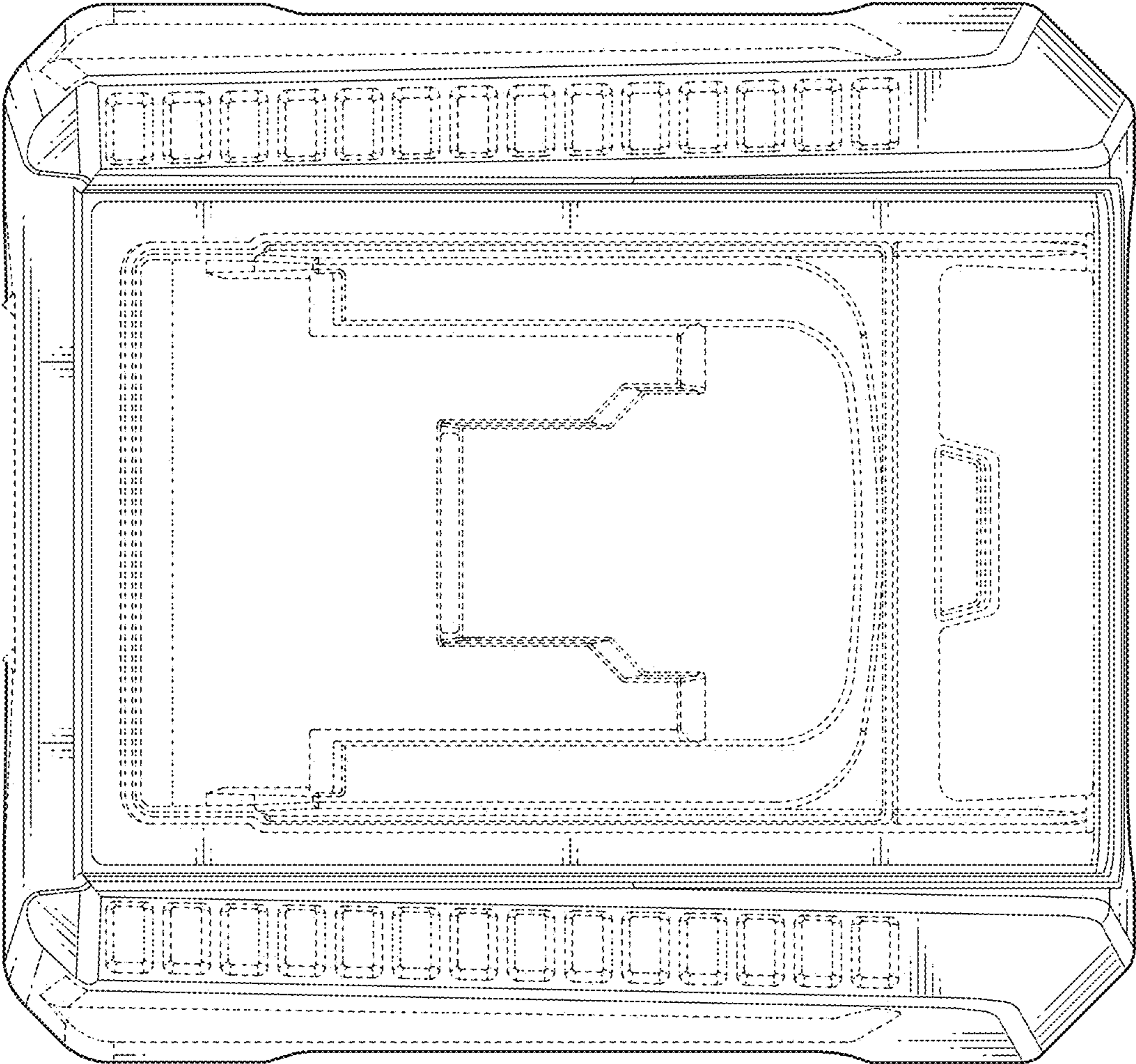


FIG. 6

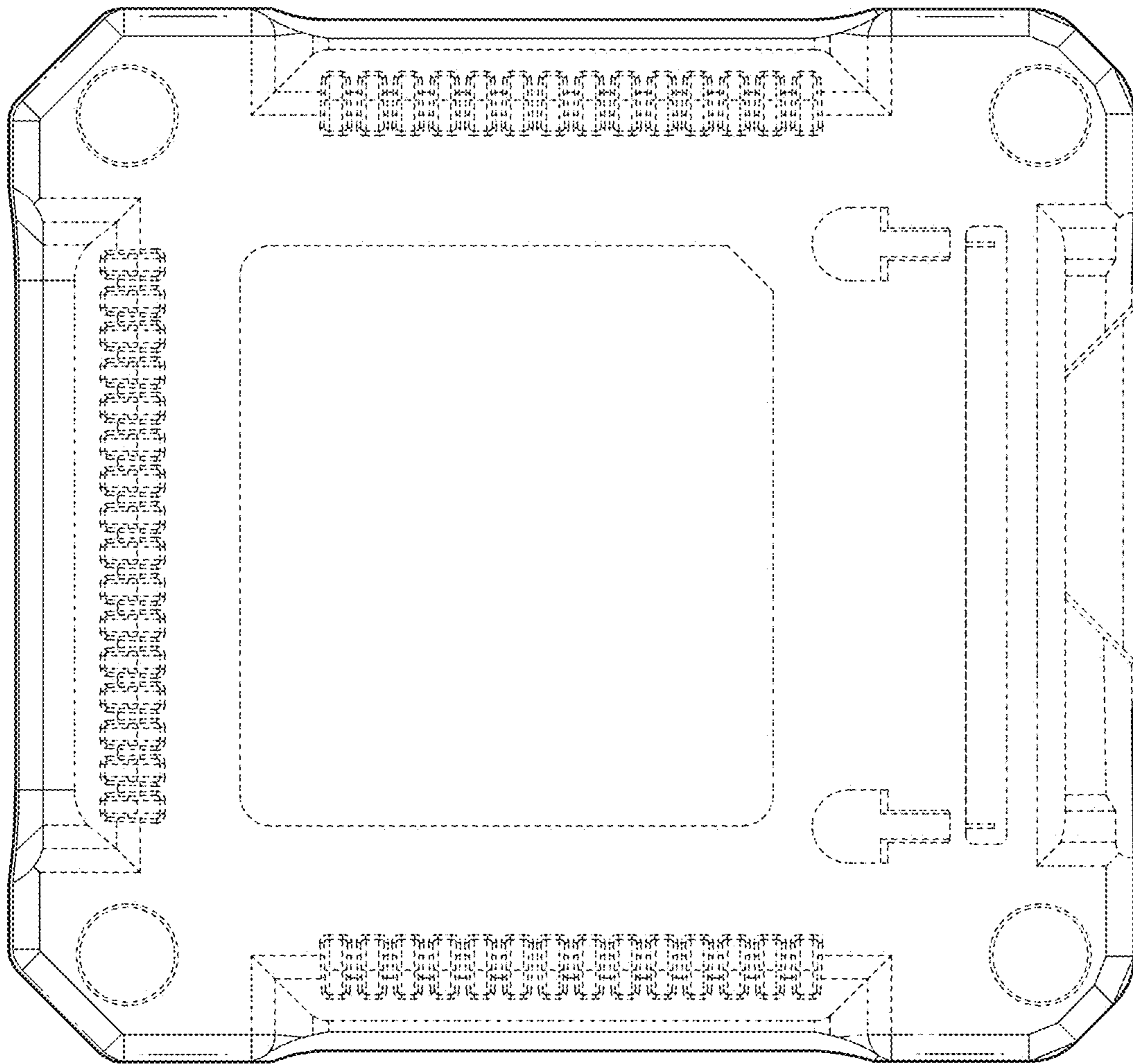


FIG. 7



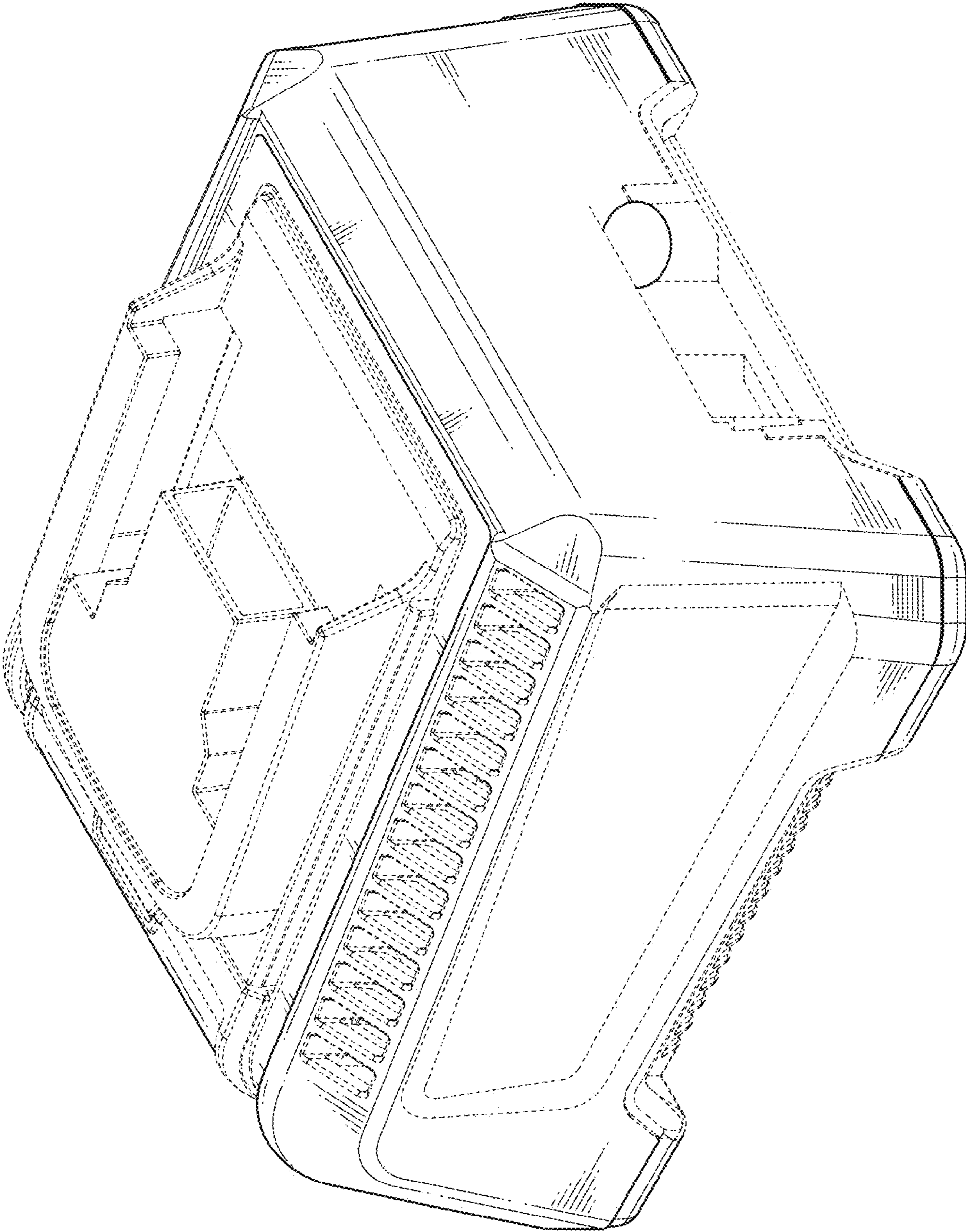


FIG. 8