



US00D897947S

(12) **United States Design Patent**
Gong et al.

(10) **Patent No.:** **US D897,947 S**

(45) **Date of Patent:** **** Oct. 6, 2020**

(54) **CHARGING CRADLE**

7/0057; Y02T 10/7005; Y02T 10/705;
Y02T 10/7088; B60L 11/1809; B60L
11/1861

(71) Applicant: **SYMBOL TECHNOLOGIES, LLC**,
Lincolnshire, IL (US)

See application file for complete search history.

(72) Inventors: **Frank Gong**, Syosset, NY (US);
Huang Chih Huang, Taoyuan (TW);
Ian R. Jenkins, Stony Brook, NY (US);
Heng Zhang, East Setauket, NY (US)

(56) **References Cited**

U.S. PATENT DOCUMENTS

(73) Assignee: **Symbol Technologies, LLC**, Holtsville,
NY (US)

(**) Term: **15 Years**

(21) Appl. No.: **29/606,131**

(22) Filed: **Jun. 1, 2017**

(51) **LOC (12) Cl.** **13-02**

(52) **U.S. Cl.**
USPC **D13/107**

(58) **Field of Classification Search**
USPC D13/103, 107, 108, 110, 133,
D13/137.1–137.4, 138.1–138.2,
D13/139.1–139.8, 146, 147, 151–156,
D13/173, 177, 199; D14/432, 433, 435.1,
D14/250, 253; D23/231, 232; D15/7–9;
D8/350, 353–356

CPC H01R 11/00; H01R 9/00; H01R 13/00;
H01R 13/04; H01R 13/10; H01R
13/6666; H01R 13/6675; H01R 25/00;
H01R 25/006; H01H 2207/00; H01H
2207/022; Y02E 60/12; Y02E 60/122;
Y02E 60/124; Y02E 60/50; H01M 2/02;
H01M 2/022; H01M 2/0202; H01M
2/0207; H01M 2/0212; H01M 2/1061;
H01M 2/1022; H01M 2/1055; H01M
2/1066; H01M 2/105; H01M 2/204; H02J
7/00; H02J 7/0003; H02J 7/0011; H02J
7/0013; H02J 7/0054; H02J 7/0055; H02J

D358,821 S *	5/1995	Hellier	D13/108
D399,821 S	10/1998	Tyneski et al.	
D561,182 S *	2/2008	Jenkins	D14/149
D620,882 S *	8/2010	Houghton	D13/108
D621,347 S *	8/2010	Aulwes	D13/108
D702,665 S *	4/2014	Kim	D14/217
D717,290 S *	11/2014	Shen	D14/253
D736,707 S	8/2015	Kaminsky et al.	
D774,453 S	12/2016	Yoneta et al.	
D788,035 S *	5/2017	Bang	D13/108
D799,494 S *	10/2017	Lee	D14/447
D817,872 S	5/2018	Oguchi	
D820,782 S	6/2018	Wang et al.	
D835,611 S *	12/2018	Yun	D14/224

(Continued)

Primary Examiner — Rosemary K Tarcza

Assistant Examiner — Christy M Nemeth

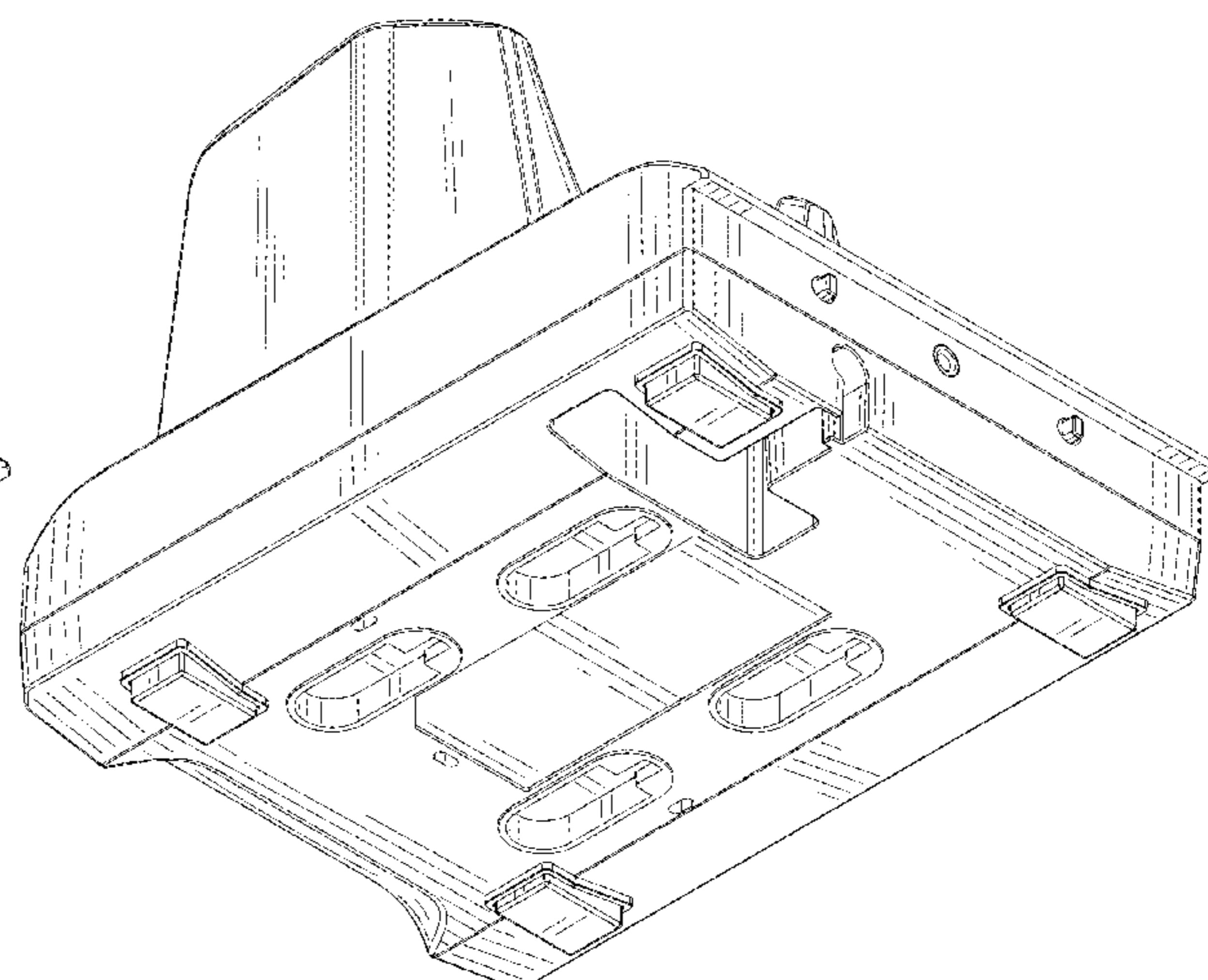
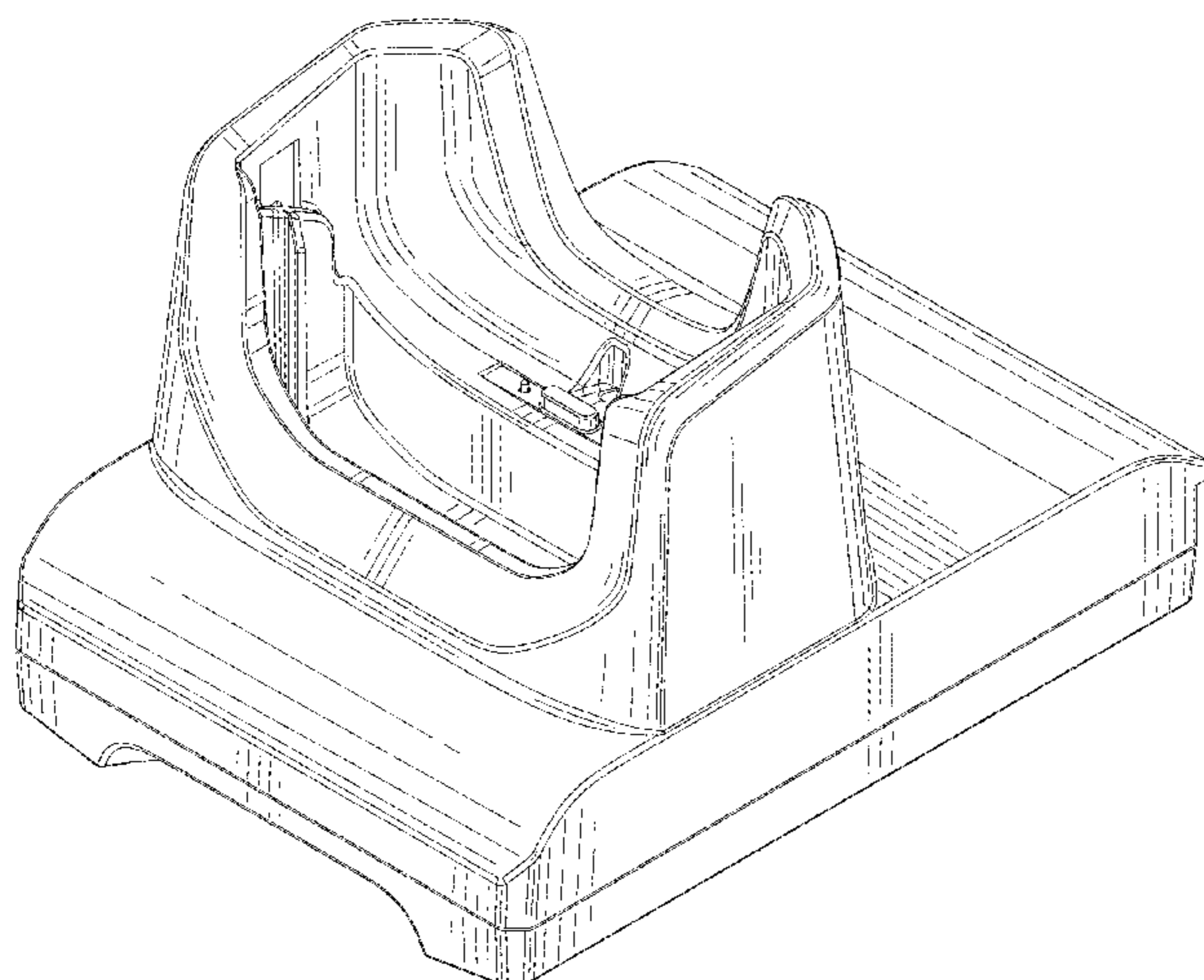
(57) **CLAIM**

We claim the ornamental design for a charging cradle, as shown and described.

DESCRIPTION

FIG. 1 is a front and top view of a charging cradle;
FIG. 2 is a rear and bottom perspective view thereof;
FIG. 3 is a front view thereof;
FIG. 4 is a back view thereof;
FIG. 5 is a right side view thereof;
FIG. 6 is a left side view thereof;
FIG. 7 is a top view thereof; and,
FIG. 8 is a bottom view thereof.
The broken lines in the drawings are for the purpose of illustrating portions of the charging cradle that form no part of the claimed design.

1 Claim, 8 Drawing Sheets



(56)

References Cited

U.S. PATENT DOCUMENTS

D841,576 S * 2/2019 Nauroy D13/108
D847,739 S * 5/2019 Yun D13/108
D861,600 S * 10/2019 Choi D13/108
D871,332 S * 12/2019 Liao D13/108
2019/0334358 A1* 10/2019 Fountain H01M 10/488

* cited by examiner

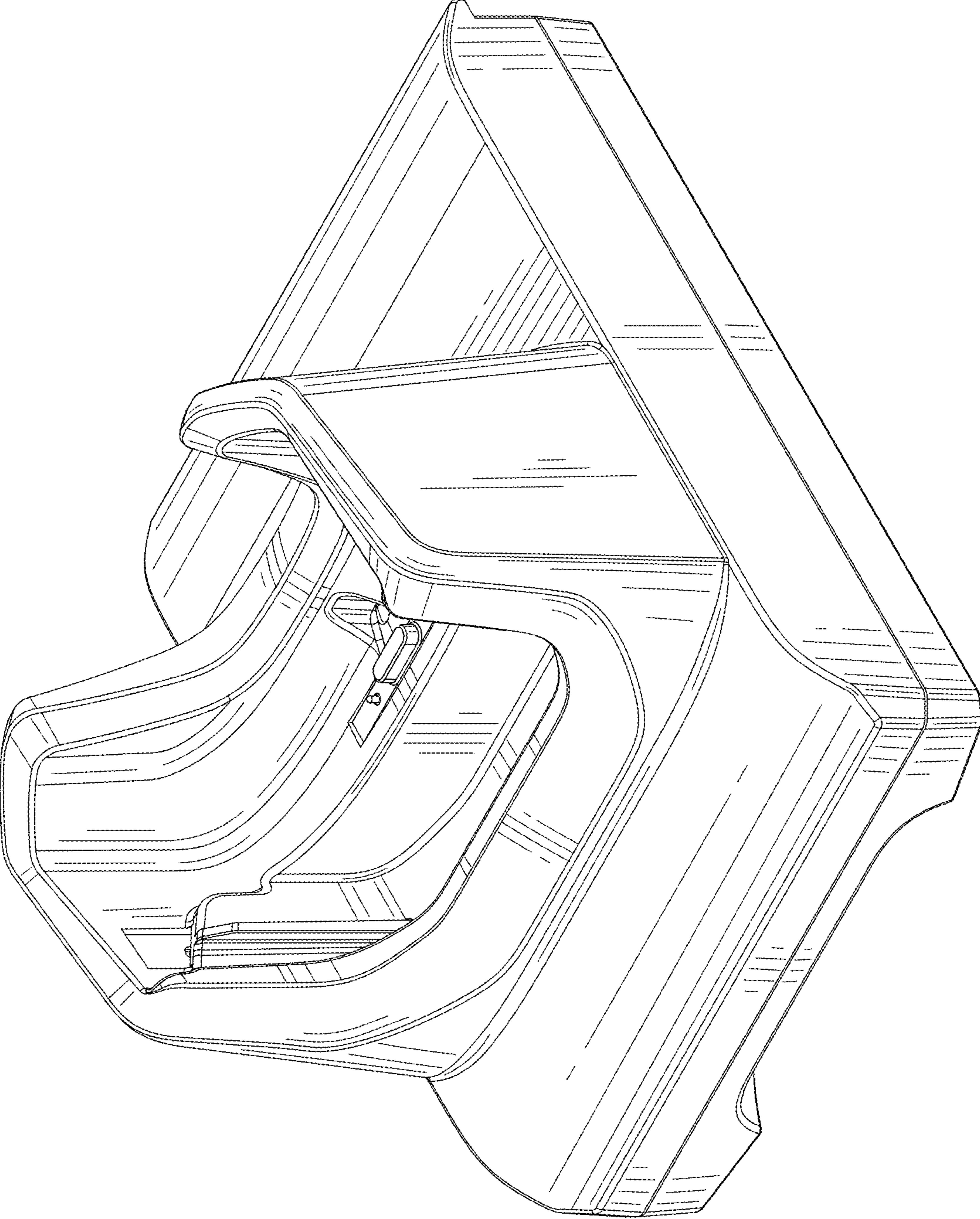


FIG. 1

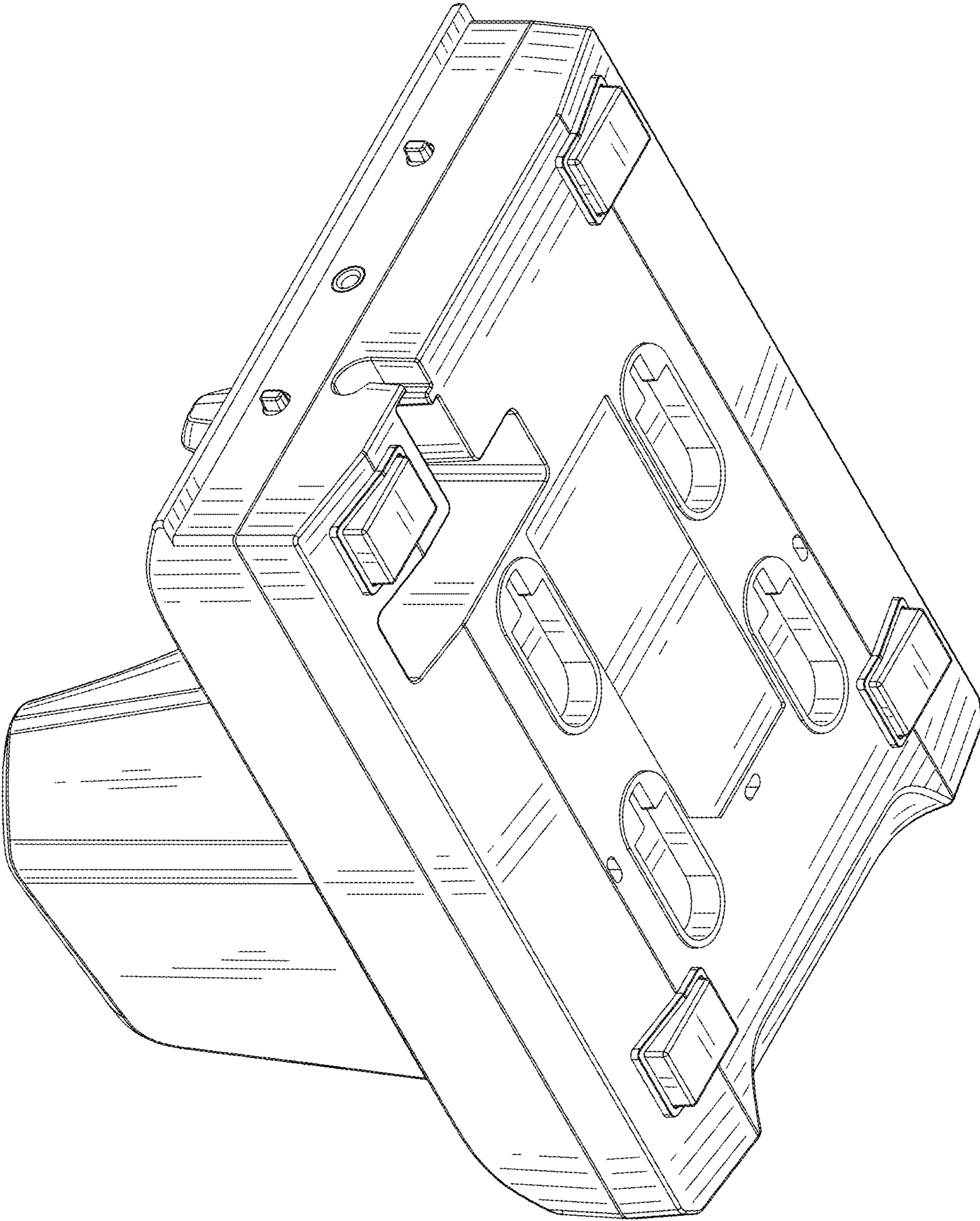


FIG. 2

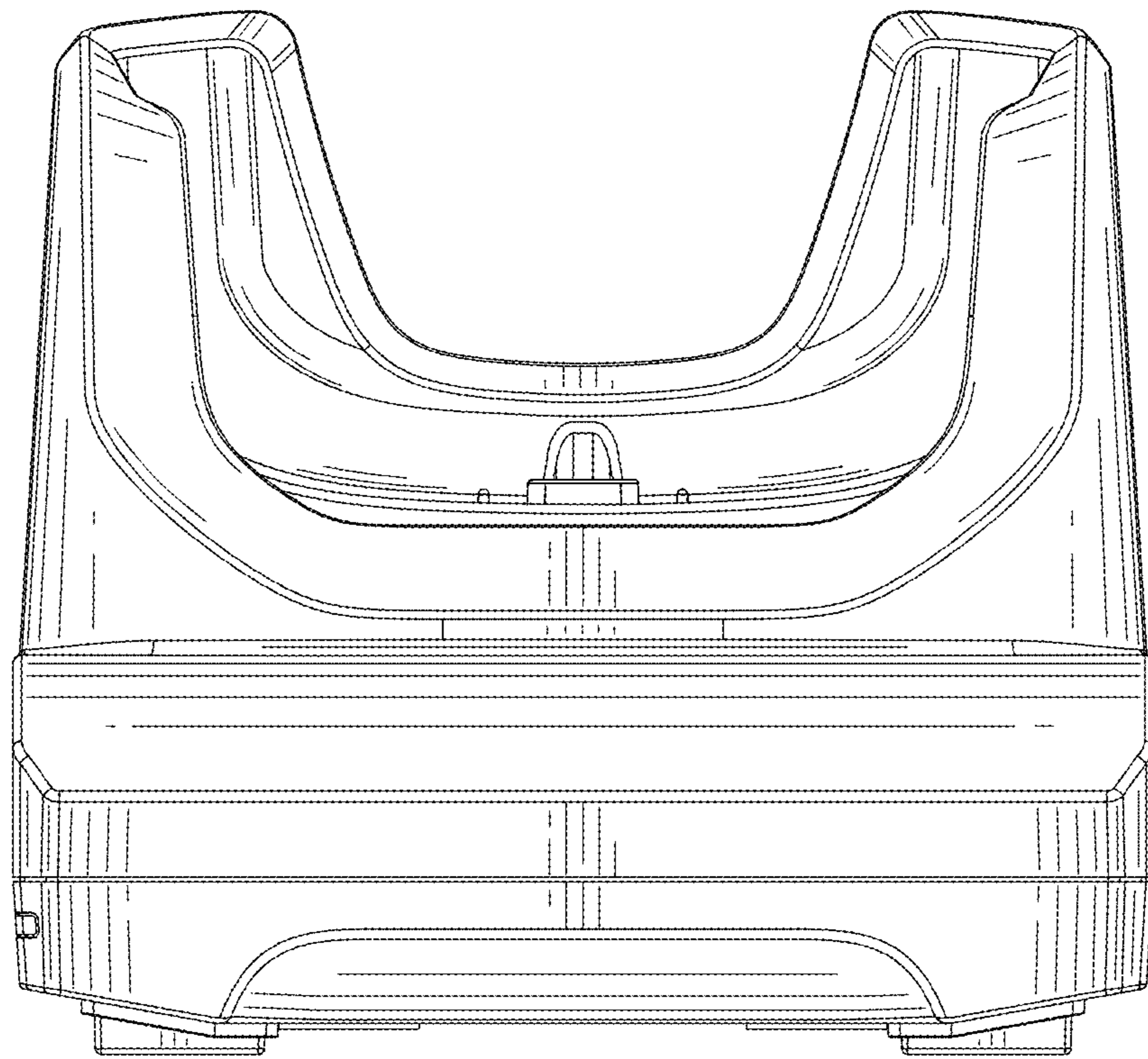


FIG. 3

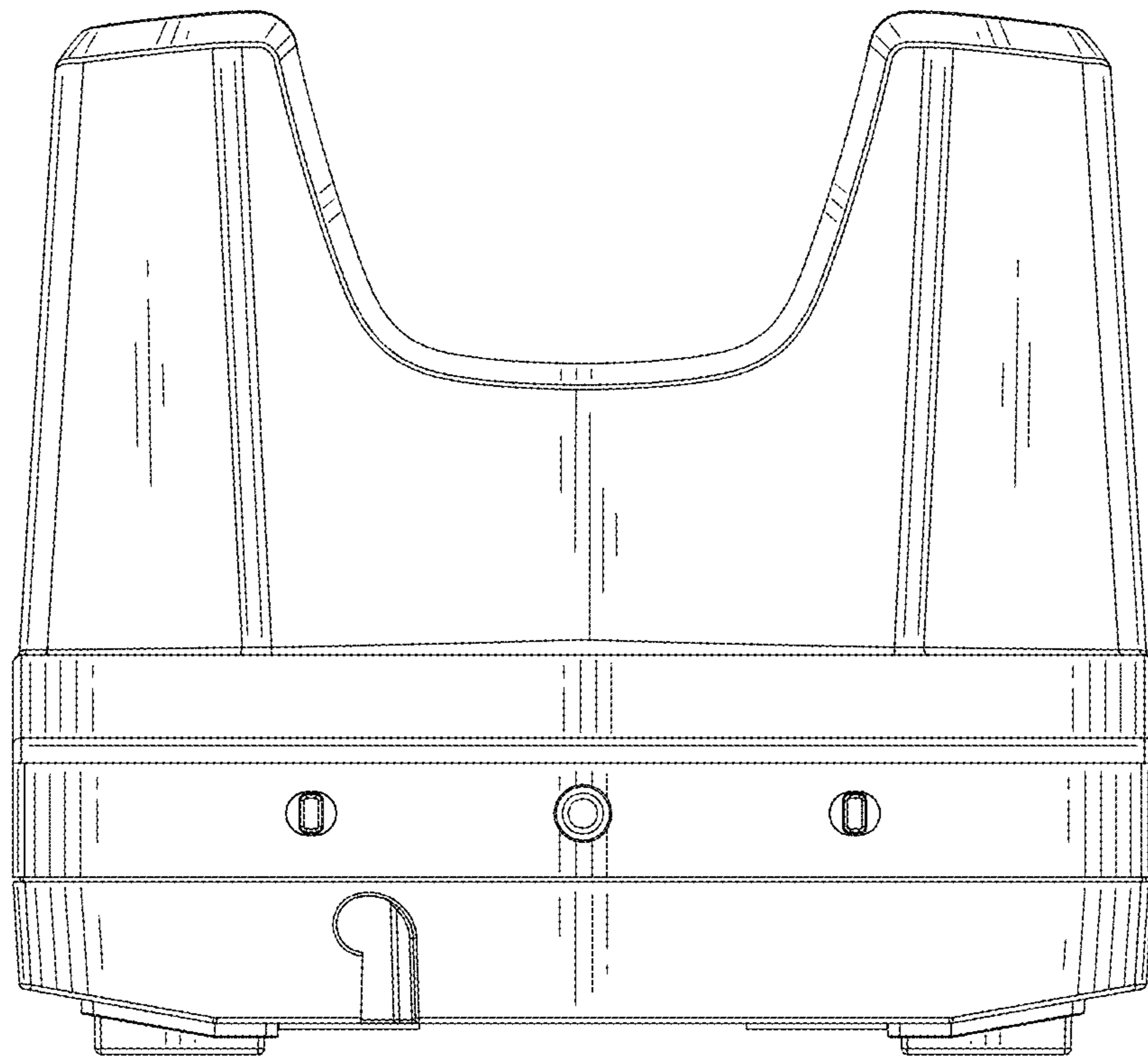


FIG. 4

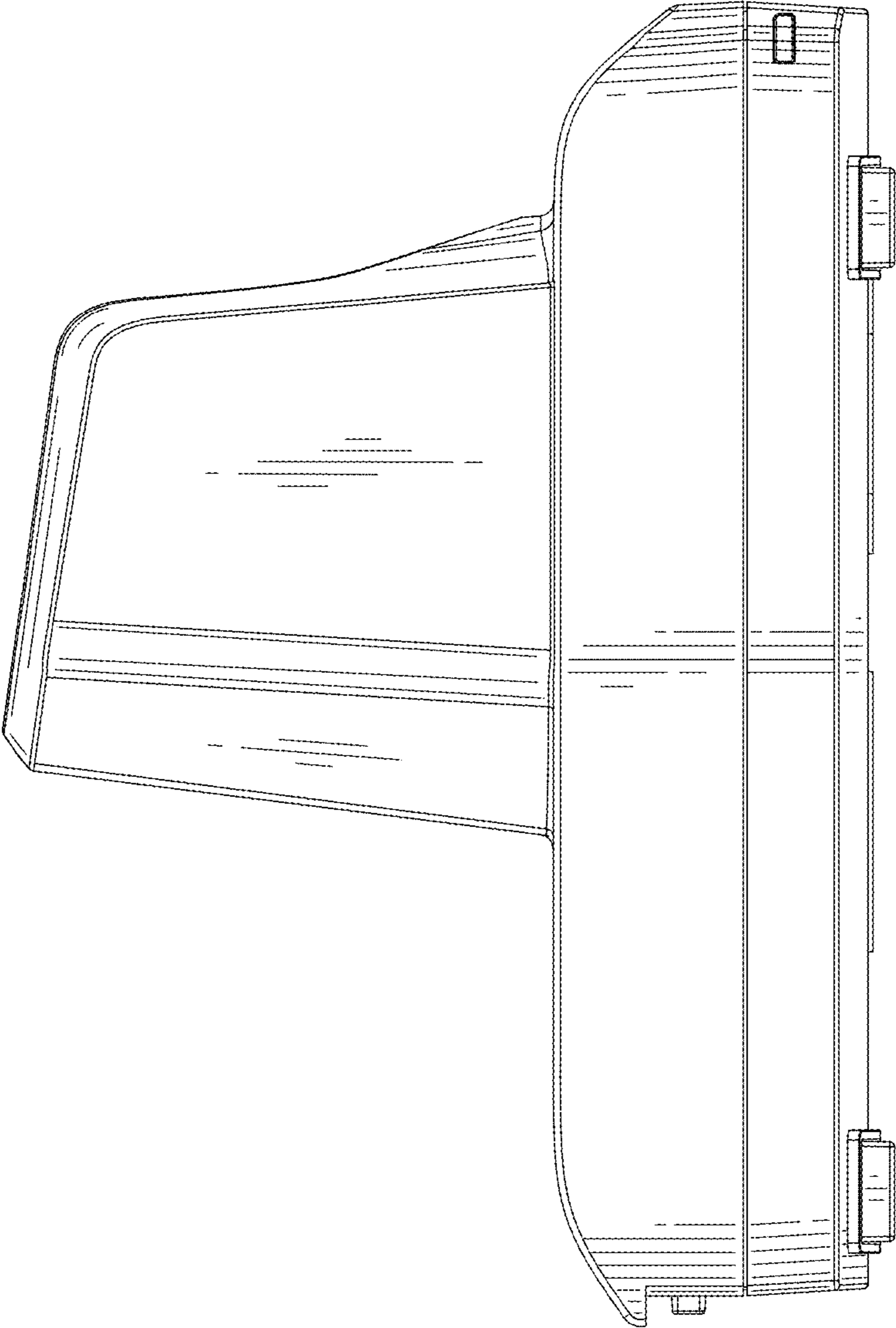


FIG. 5

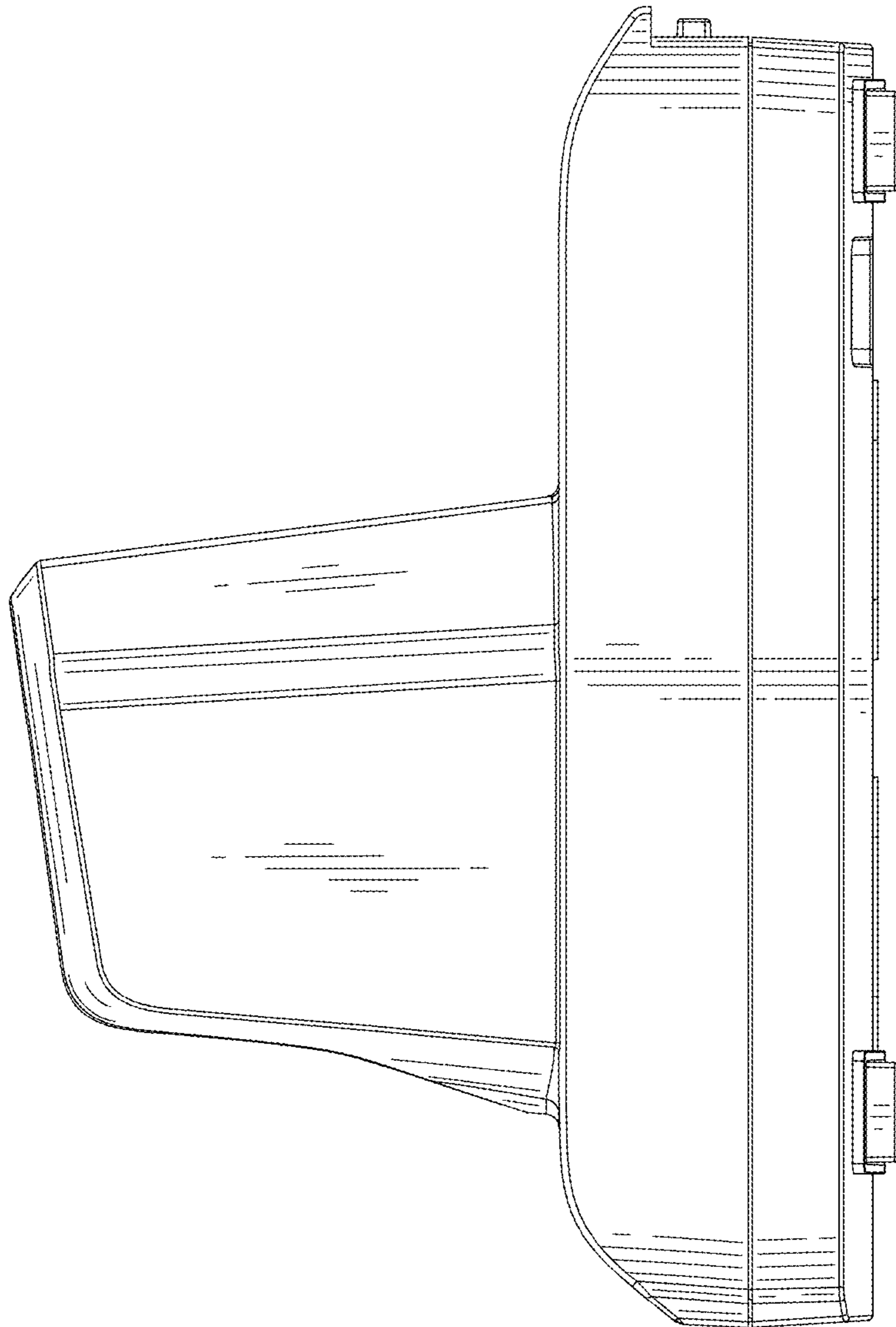


FIG. 6

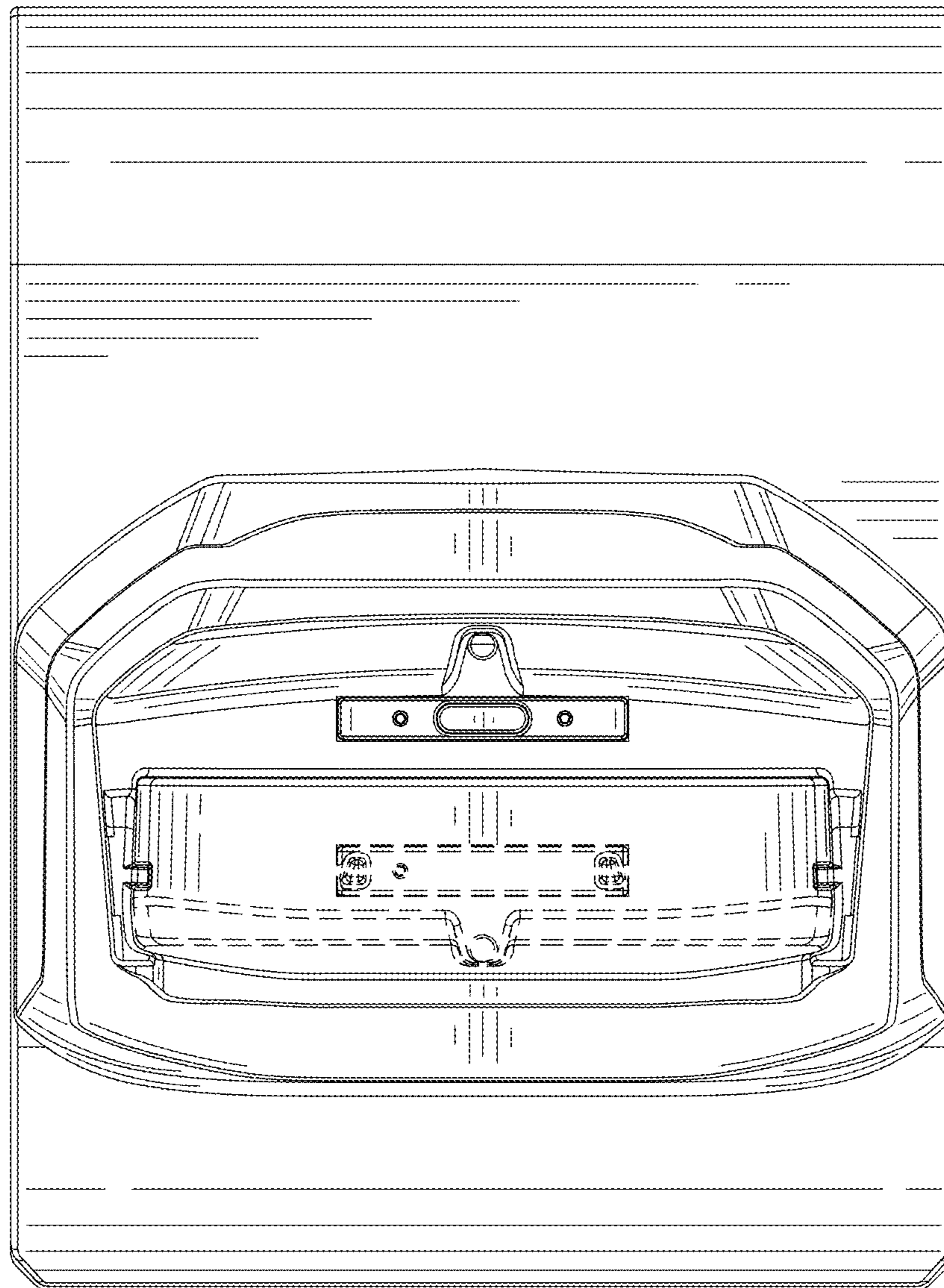


FIG. 7

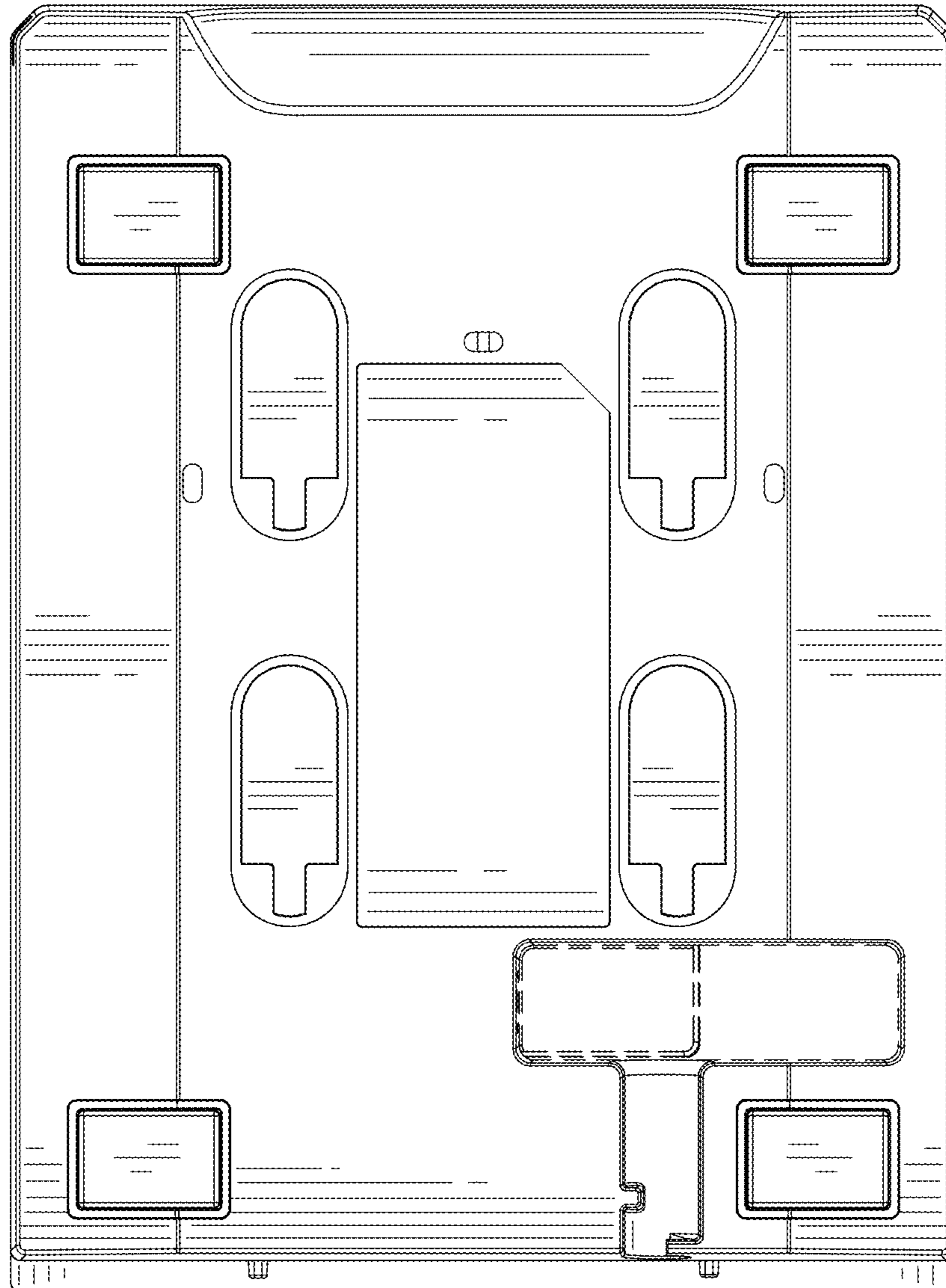


FIG. 8