



US00D897946S

(12) **United States Design Patent**
Liu

(10) **Patent No.:** **US D897,946 S**

(45) **Date of Patent:** **** Oct. 6, 2020**

(54) **MESSAGE GUN BATTERY**

(71) Applicant: **Qiaofeng Liu**, Shenzhen (CN)

(72) Inventor: **Qiaofeng Liu**, Shenzhen (CN)

(**) Term: **15 Years**

(21) Appl. No.: **29/736,599**

(22) Filed: **Jun. 1, 2020**

(51) **LOC (12) Cl.** **13-02**

(52) **U.S. Cl.**
USPC **D13/103**

(58) **Field of Classification Search**
USPC D13/102–106, 118–119, 184, 199;
D24/211, 214
CPC Y02E 60/10; H01M 2/02; H01M 2/022;
H01M 2/0202; H01M 2/0207; H01M
2/0212; H01M 2/1016; H01M 2/105;
H01M 2/1061; H01M 2/06

See application file for complete search history.

(56) **References Cited**

U.S. PATENT DOCUMENTS

D547,264 S *	7/2007	Kondo	D13/103
D591,232 S *	4/2009	Zhuang	D13/103
D593,488 S *	6/2009	Harrison	D13/103
D597,482 S *	8/2009	Kondo	D13/103
D623,589 S *	9/2010	Tarter	D13/103
D634,043 S *	3/2011	Oppizzi	D26/38
D664,498 S *	7/2012	Liu	D13/103
D666,732 S *	9/2012	Caggiano	D24/214
D682,195 S *	5/2013	Aglassinger	D13/103

D699,672 S *	2/2014	Kosugi	D13/103
D720,291 S *	12/2014	Liu	D13/119
D762,564 S *	8/2016	Patton	D13/103
D763,788 S	8/2016	Bakker		
D766,181 S *	9/2016	Cooper	D13/119
D818,949 S *	5/2018	Dunkin	D13/103
D844,557 S *	4/2019	Wang	D13/103
D873,432 S *	1/2020	Duan	D24/214
D874,721 S *	2/2020	Lai	D27/167
D889,401 S *	7/2020	Li	D13/108
2017/0033325 A1 *	2/2017	Han	H01M 2/0245

* cited by examiner

Primary Examiner — Rosemary K Tarcza

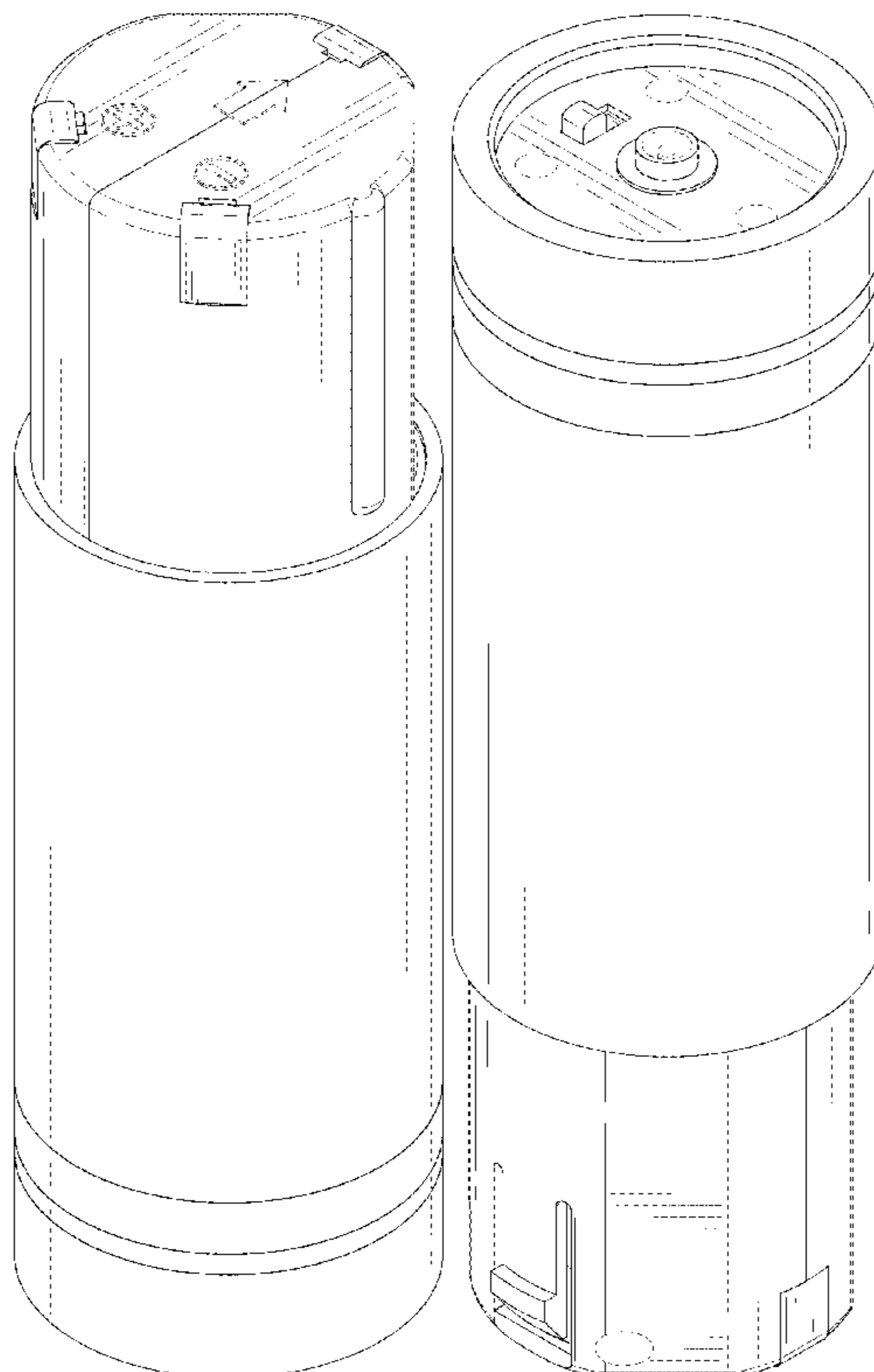
(57) **CLAIM**

The ornamental design for a message gun battery, as shown and described.

DESCRIPTION

FIG. 1 is a front and top perspective view of a message gun battery, showing my new design;
 FIG. 2 is a rear and bottom perspective view thereof;
 FIG. 3 is a front elevational view thereof;
 FIG. 4 is a rear elevational view thereof;
 FIG. 5 is a left side elevational view thereof;
 FIG. 6 is a right side elevational view thereof;
 FIG. 7 is a top plan view thereof; and,
 FIG. 8 is a bottom plan view thereof.
 The broken lines in the figures illustrate portions of the article that form no part of the claimed design.

1 Claim, 8 Drawing Sheets



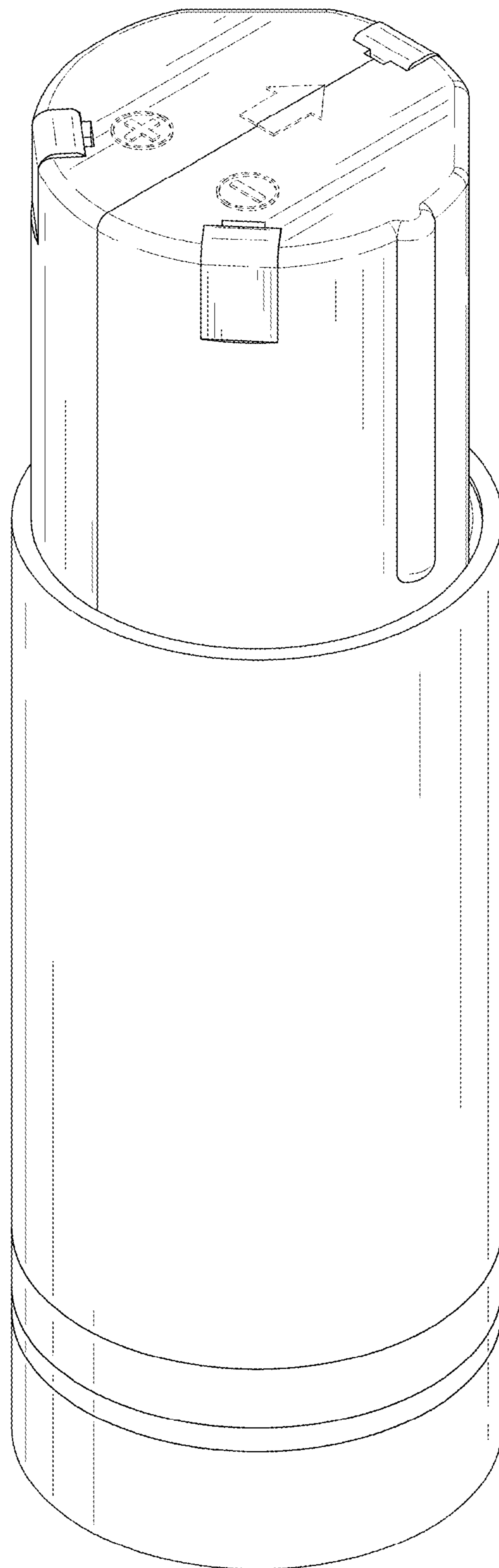


FIG. 1

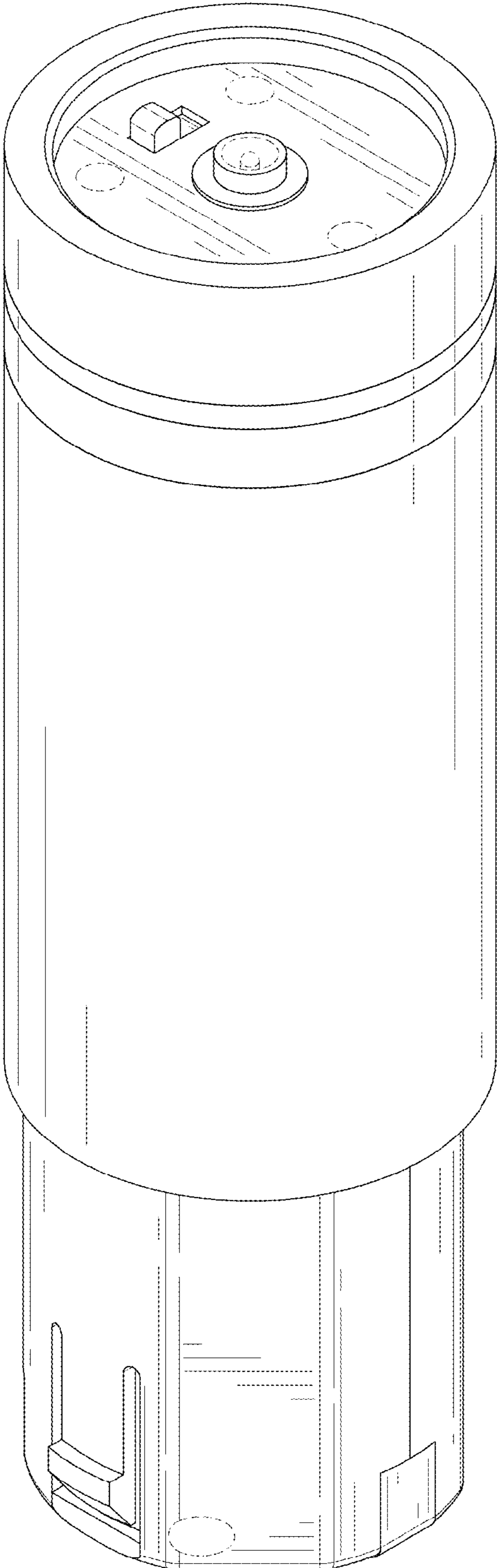


FIG. 2

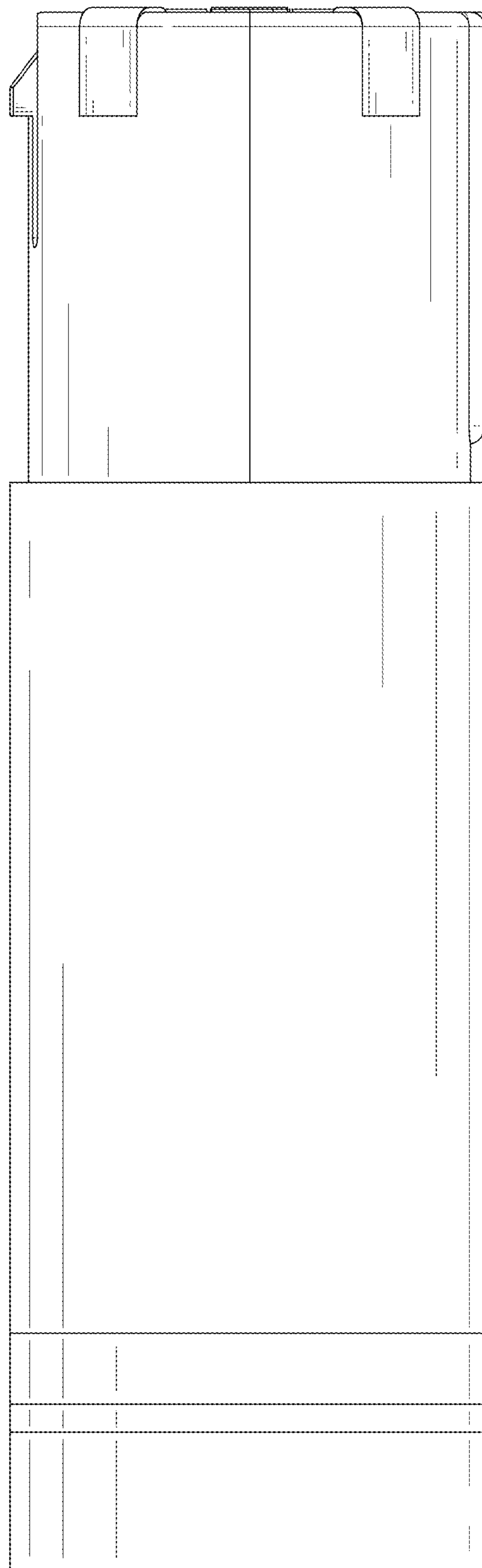


FIG. 3

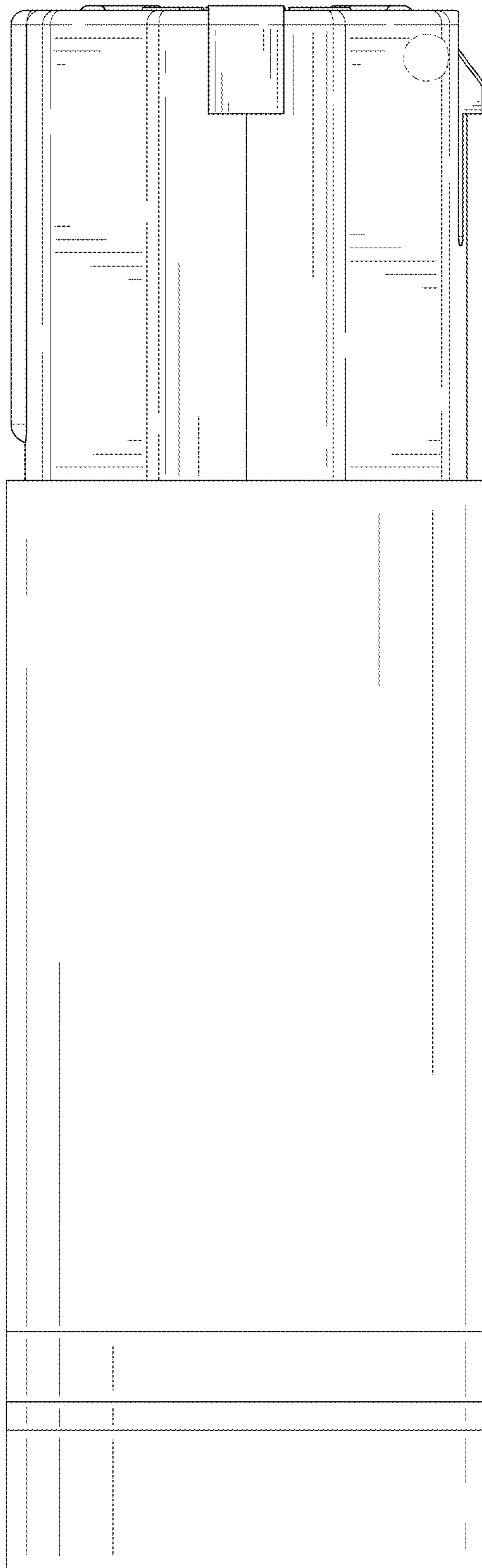


FIG. 4

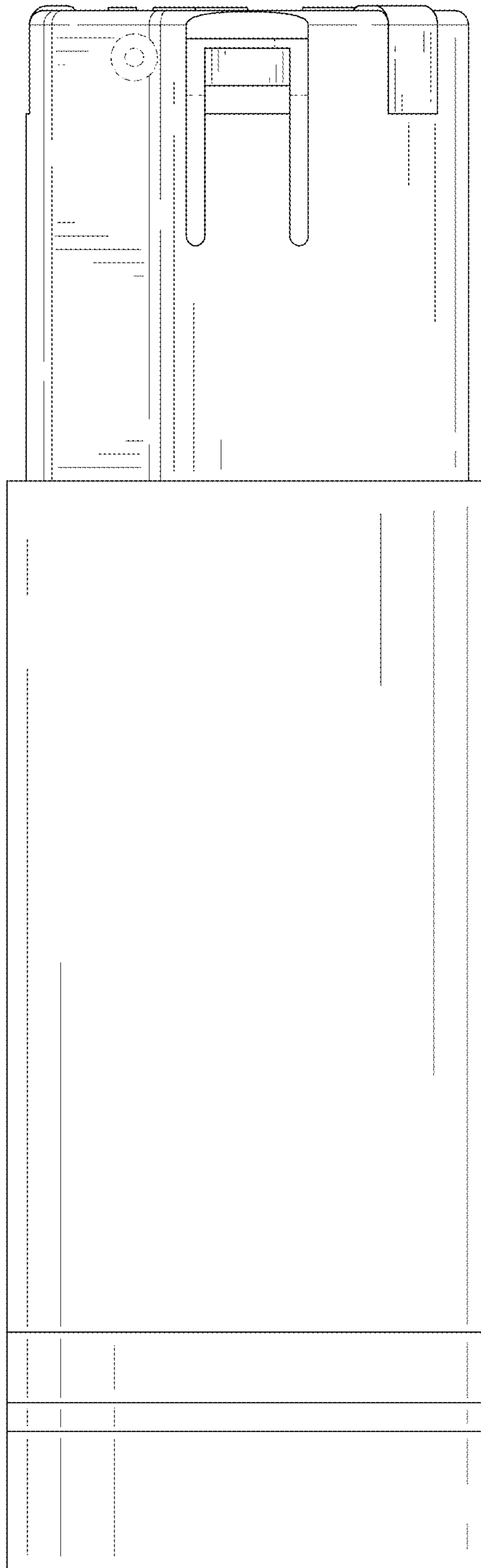


FIG. 5

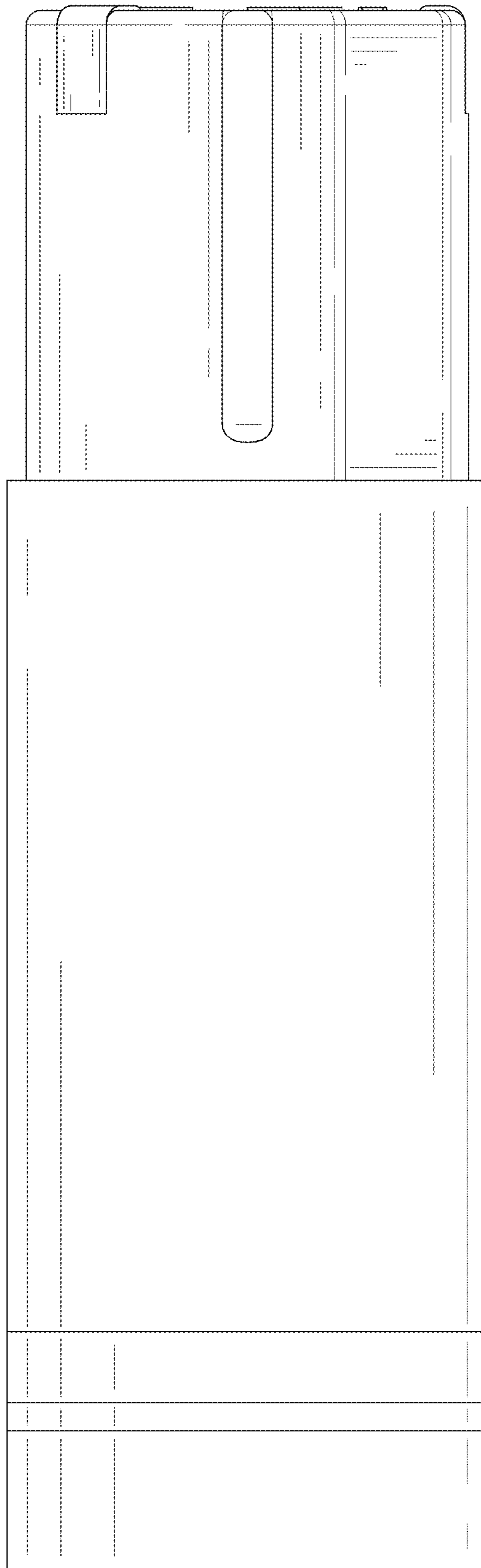


FIG. 6

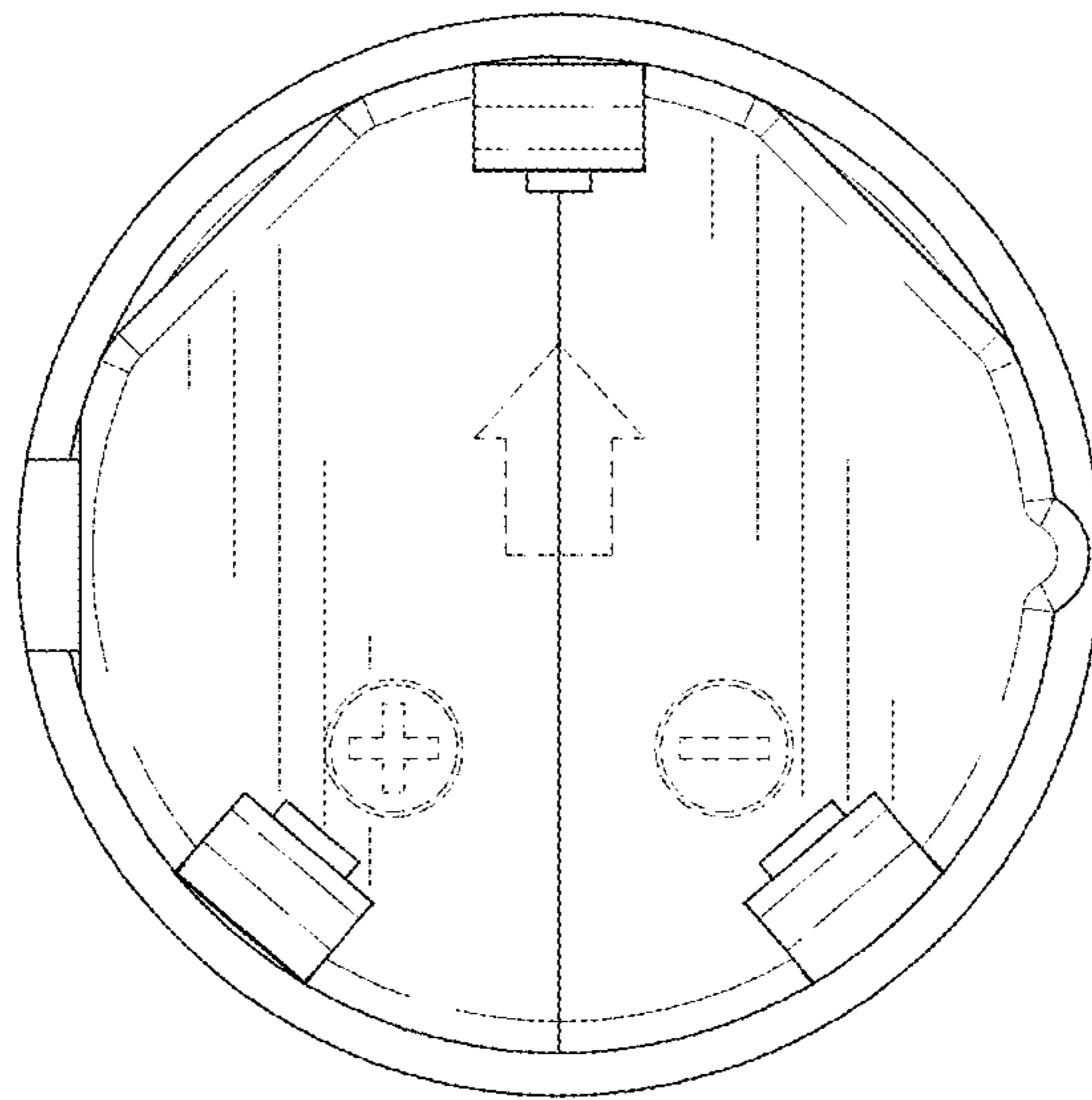


FIG. 7

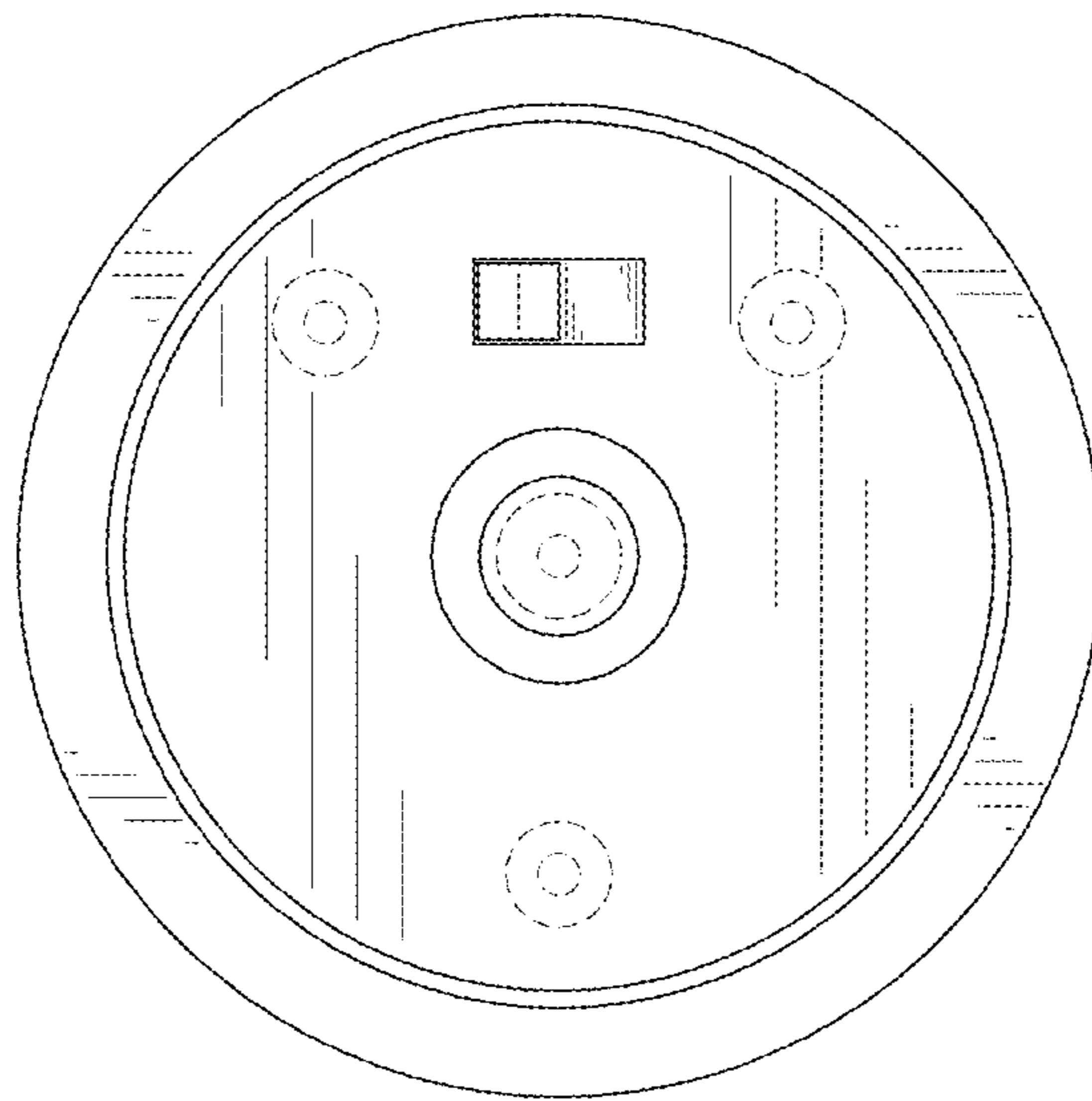


FIG. 8