



US00D897934S

(12) **United States Design Patent**
Abe

(10) **Patent No.:** **US D897,934 S**

(45) **Date of Patent:** **** Oct. 6, 2020**

- (54) **NON-PNEUMATIC TIRE**
- (71) Applicant: **BRIDGESTONE CORPORATION**,
Chuo-ku, Tokyo (JP)
- (72) Inventor: **Akihiko Abe**, Tokyo (JP)
- (73) Assignee: **BRIDGESTONE CORPORATION**,
Chuo-ku, Tokyo (JP)
- (**) Term: **15 Years**
- (21) Appl. No.: **29/692,819**
- (22) Filed: **May 29, 2019**

- 1,029,867 A * 6/1912 Homolya B60B 9/26
152/70
- 1,154,504 A * 9/1915 Gang B60C 7/14
152/256
- 1,162,706 A * 11/1915 Myers B60B 9/26
152/86
- 1,183,336 A * 5/1916 Baker B60C 7/14
152/274
- 1,211,869 A * 1/1917 Naylor B60C 7/14
152/274
- 1,231,965 A * 7/1917 Swigart B60B 9/26
152/85
- 1,336,031 A * 4/1920 Gebhardt B60B 9/26
152/85
- 1,368,654 A * 2/1921 Ratchford B60B 9/26
301/84
- RE15,371 E * 6/1922 Beisel B60B 9/04
152/6

(30) **Foreign Application Priority Data**

Nov. 30, 2018 (JP) 2018-026108

(51) **LOC (12) Cl.** **12-15**

(52) **U.S. Cl.**
USPC **D12/500; D12/605**

(58) **Field of Classification Search**
USPC D12/500, 501, 502, 568, 605
CPC B60C 1/0025; B60C 7/00; B60C 7/16;
B60C 7/18; B60C 7/14; B60C 7/22;
B60C 11/032; B60C 11/0388; B60C
13/00; B60C 13/02; B60C 2001/0033;
B60C 2009/0408; B60C 2009/0466;
B60C 2013/008; B60B 9/02; B60B 9/04;
B60B 9/08; B60B 9/26

See application file for complete search history.

(56) **References Cited**

U.S. PATENT DOCUMENTS

- 672,533 A * 4/1901 Lefebvre B60C 7/14
152/274
- 993,711 A * 5/1911 Peterson B60C 7/14
152/274
- 1,027,409 A * 5/1912 Etzold B60B 9/26
152/70

(Continued)

Primary Examiner — Robert M. Spear

(74) *Attorney, Agent, or Firm* — Kenja IP Law PC

(57) **CLAIM**

I claim the ornamental design for a non-pneumatic tire, as shown and described.

DESCRIPTION

FIG. 1 is a front view of a non-pneumatic tire showing my design;

FIG. 2 is a rear view thereof;

FIG. 3 is a plan view thereof;

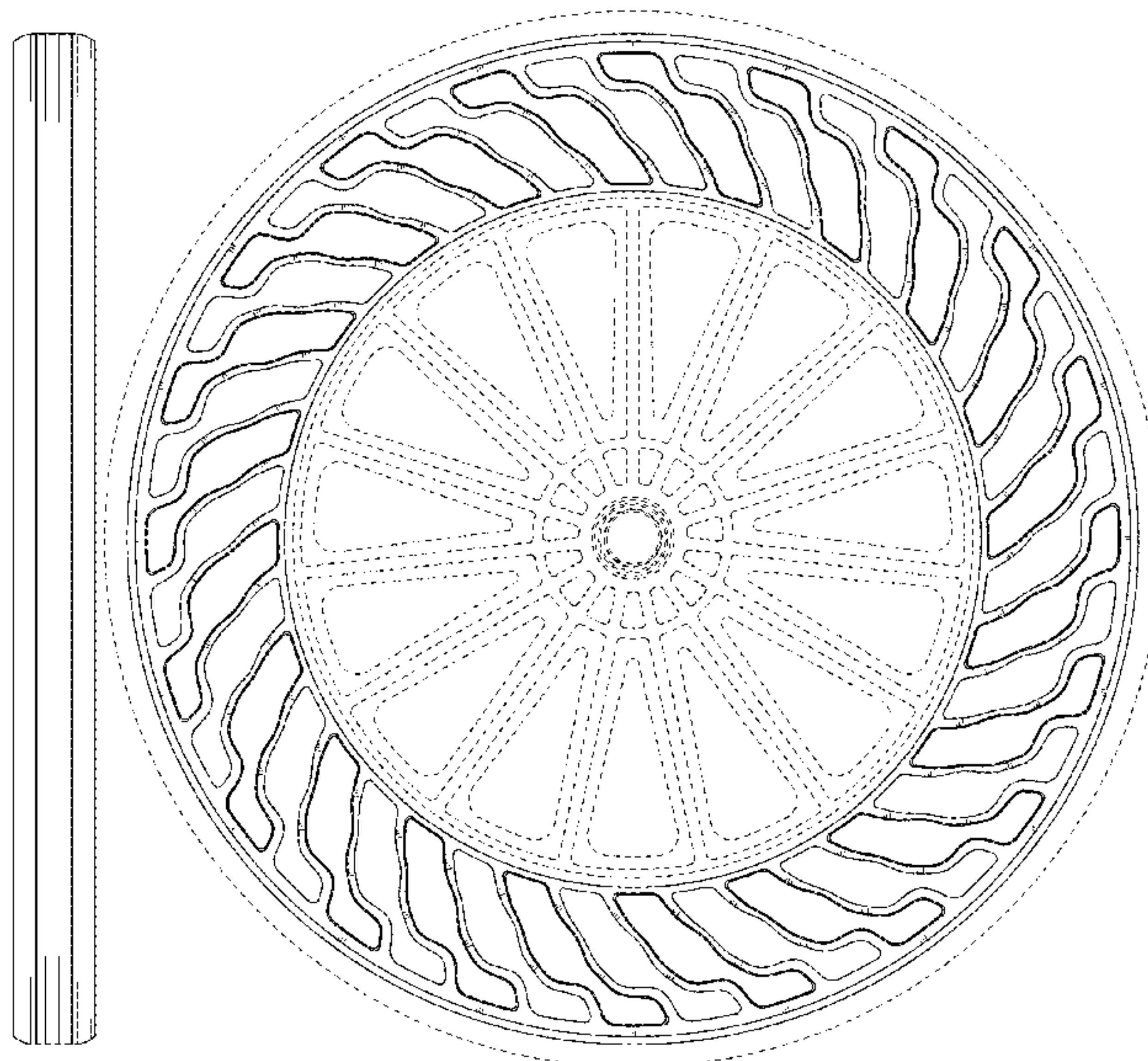
FIG. 4 is a left side view thereof;

FIG. 5 is an enlarged fragmentary cross sectional view thereof, taken below line A-A and in the direction of line B-B of FIG. 1; and,

FIG. 6 is a reference view showing the state of use.

In the drawings, the broken lines are for defining the sidewall, inner bead and the boundary between the claimed tire tread and the unclaimed sidewall, and form no part of the claimed design.

1 Claim, 6 Drawing Sheets



(56)

References Cited

U.S. PATENT DOCUMENTS

1,427,570 A * 8/1922 Adelbert B60C 7/14
 152/274
 1,432,884 A * 10/1922 McFall B60B 9/26
 152/85
 1,625,518 A * 4/1927 Beisel B60B 9/26
 152/85
 3,219,090 A * 11/1965 Cislo B60B 33/0063
 152/7
 5,023,040 A * 6/1991 Gajewski B60C 7/12
 156/113
 D458,035 S * 6/2002 O'Hare B60B 9/26
 D6/300
 6,615,885 B1 * 9/2003 Ohm B60B 9/26
 152/11
 D645,953 S * 9/2011 Peterson D23/411
 D711,815 S * 8/2014 Abe D12/605
 D731,958 S * 6/2015 Kiwaki D12/570

D763,785 S * 8/2016 Abe B60B 9/26
 D12/605
 D770,539 S * 11/2016 Mast D12/501
 D824,843 S * 8/2018 Iwamura B60C 7/14
 D12/605
 D824,845 S * 8/2018 Iwamura B60C 7/14
 D12/605
 D826,143 S * 8/2018 Iwamura B60B 9/26
 D12/605
 D832,770 S * 11/2018 Abe B60B 9/26
 D12/500
 D833,370 S * 11/2018 Abe B60B 9/26
 D12/500
 D833,959 S * 11/2018 Abe B60B 9/26
 D12/500
 D844,541 S * 4/2019 Abe B60C 7/14
 D12/500
 D844,542 S * 4/2019 Abe B60C 7/14
 D12/500

* cited by examiner

FIG. 1

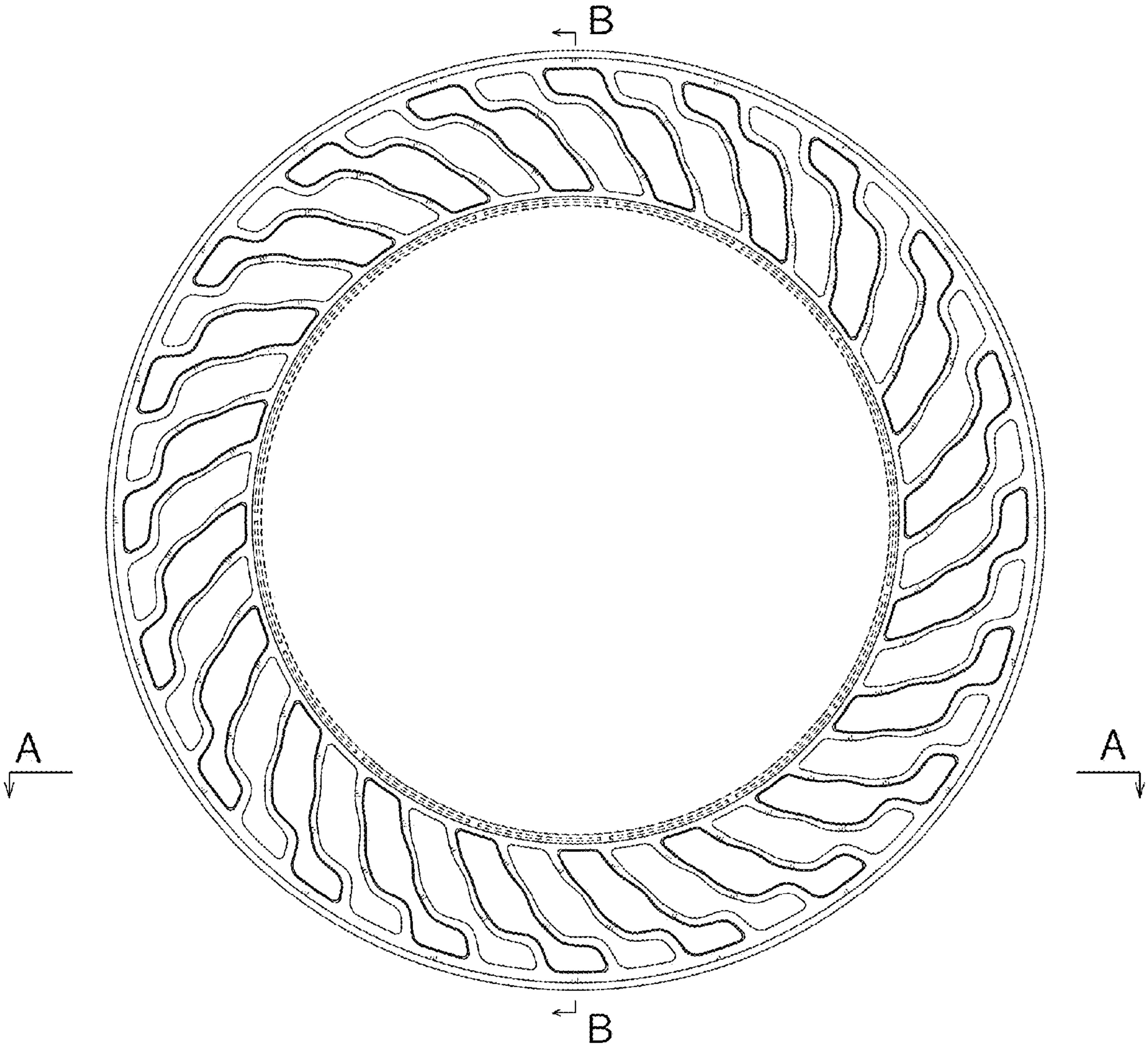


FIG. 2

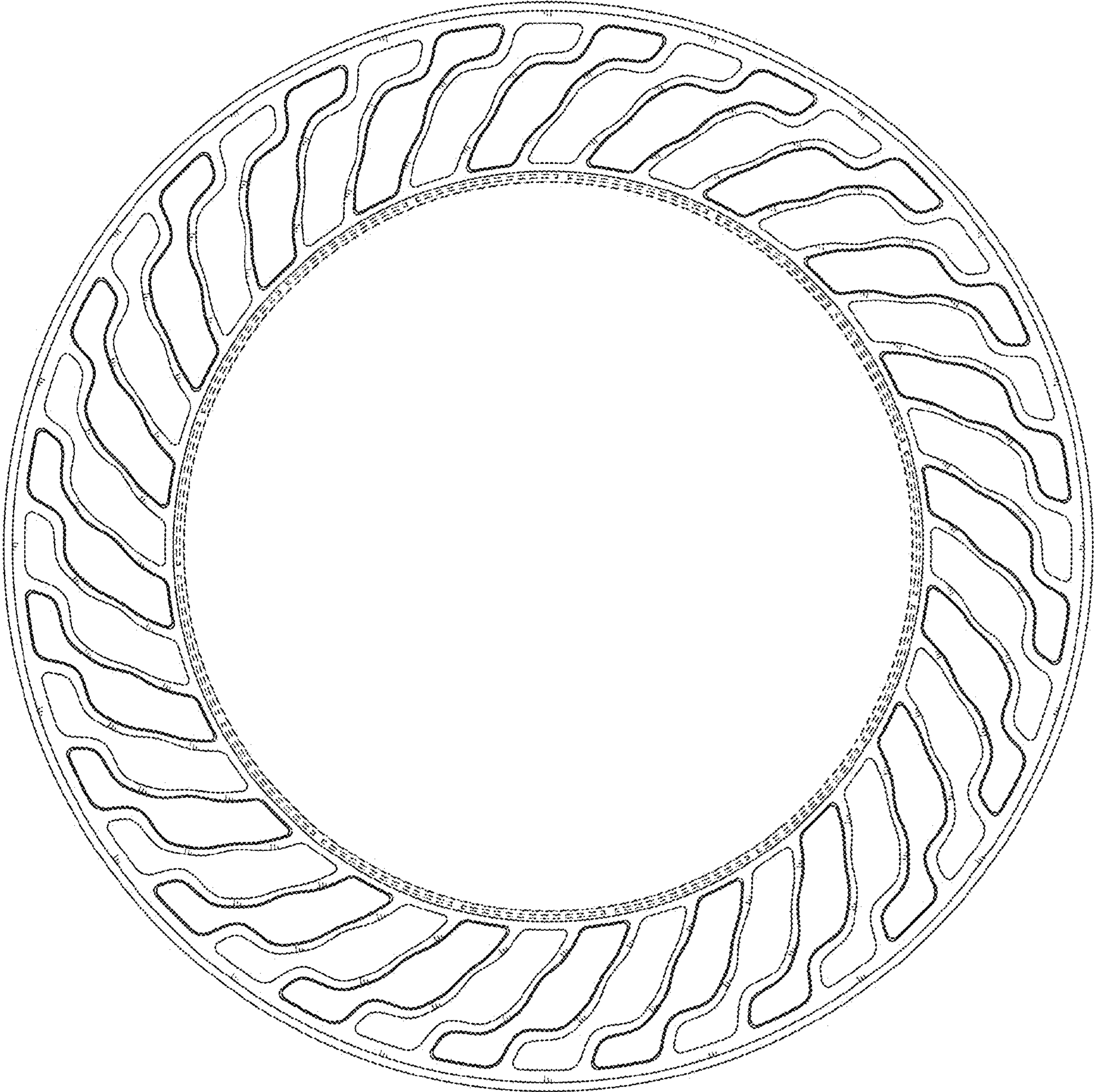


FIG. 3

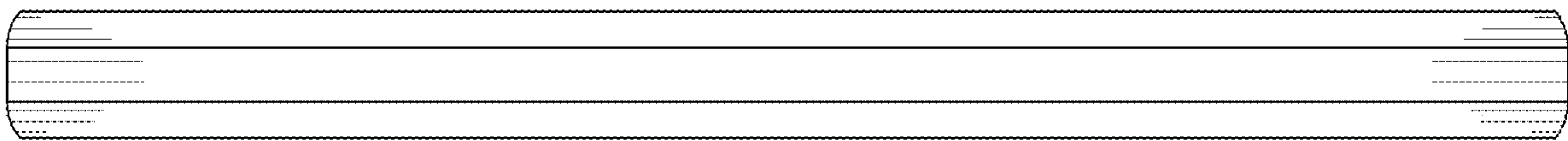


FIG. 4

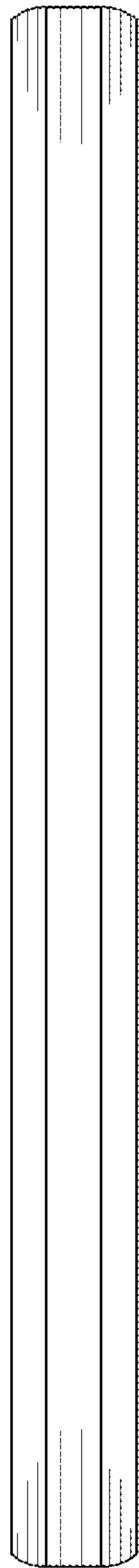


FIG. 5

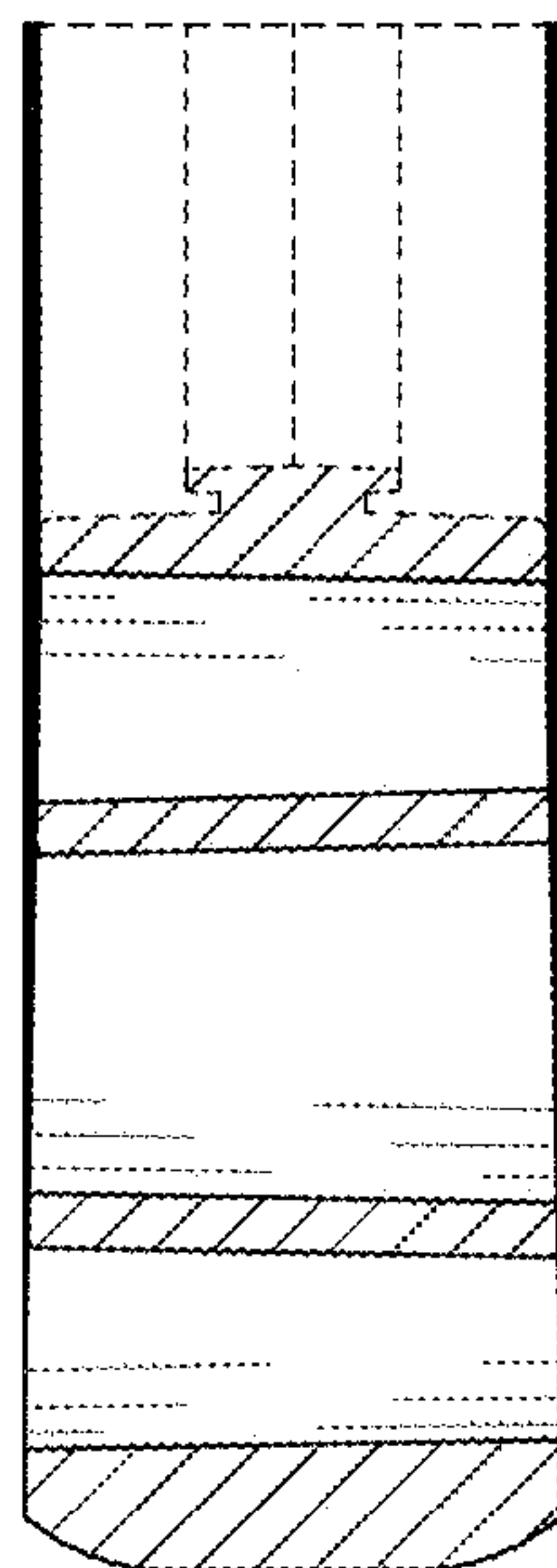


FIG. 6

