



US00D897933S

(12) **United States Design Patent**  
**Flood**

(10) **Patent No.:** **US D897,933 S**  
(45) **Date of Patent:** **\*\* Oct. 6, 2020**

(54) **VEHICLE OPERATOR DOCUMENT HOLDER**

(71) Applicant: **Brandon James Flood**, Steelton, PA (US)

(72) Inventor: **Brandon James Flood**, Steelton, PA (US)

(\*\*) Term: **15 Years**

(21) Appl. No.: **29/668,217**

(22) Filed: **Oct. 29, 2018**

(51) **LOC (12) Cl.** ..... **12-16**

(52) **U.S. Cl.**  
USPC ..... **D12/417**

(58) **Field of Classification Search**

USPC ..... D12/417, 191; D19/26, 32, 33, 65, 75, D19/78, 86-92; D9/702, 711, 499; 40/904; 281/15.1, 19.1, 21.1, 20, 29, 38, 281/45, 46, 47, 51; 206/424, 425, 494, 206/215; 402/73, 80 R; 229/67.1, 67.2, 229/67.3, 67.4; D3/303, 900, 215, 226, D3/247-253; 224/311, 312, 275; 296/97.1-97.9, 900, 901.01; D6/419, D6/429; 248/441.1, 442.2, 450, 451, 453, 248/454, 455, 456, 460, 448; 400/718, 400/719

(Continued)

(56) **References Cited**

**U.S. PATENT DOCUMENTS**

3,086,694 A \* 4/1963 Tucker ..... B42D 15/00  
229/68.1  
3,657,834 A \* 4/1972 Tauber ..... A44C 3/001  
40/1.5

(Continued)

**OTHER PUBLICATIONS**

Essential Car Auto Insurance Registration Black Document Wallet

Holders 2 Pack, Amazon.com, Date First Available: Jun. 4, 2015, [online], [site visited Nov. 1, 2019]. <URL: https://www.amazon.com/ESSENTIAL-Insurance-Registration-Document-Holders/dp/B00YV5FF32/ref=pd\_sbs\_263\_t\_2/132-2524759-0679644?> (Year: 2015).\*

(Continued)

*Primary Examiner* — T Chase Nelson

*Assistant Examiner* — Jonathan J. Han

(74) *Attorney, Agent, or Firm* — Dunlap Bennett & Ludwig, PLLC; Brandon E. Squire

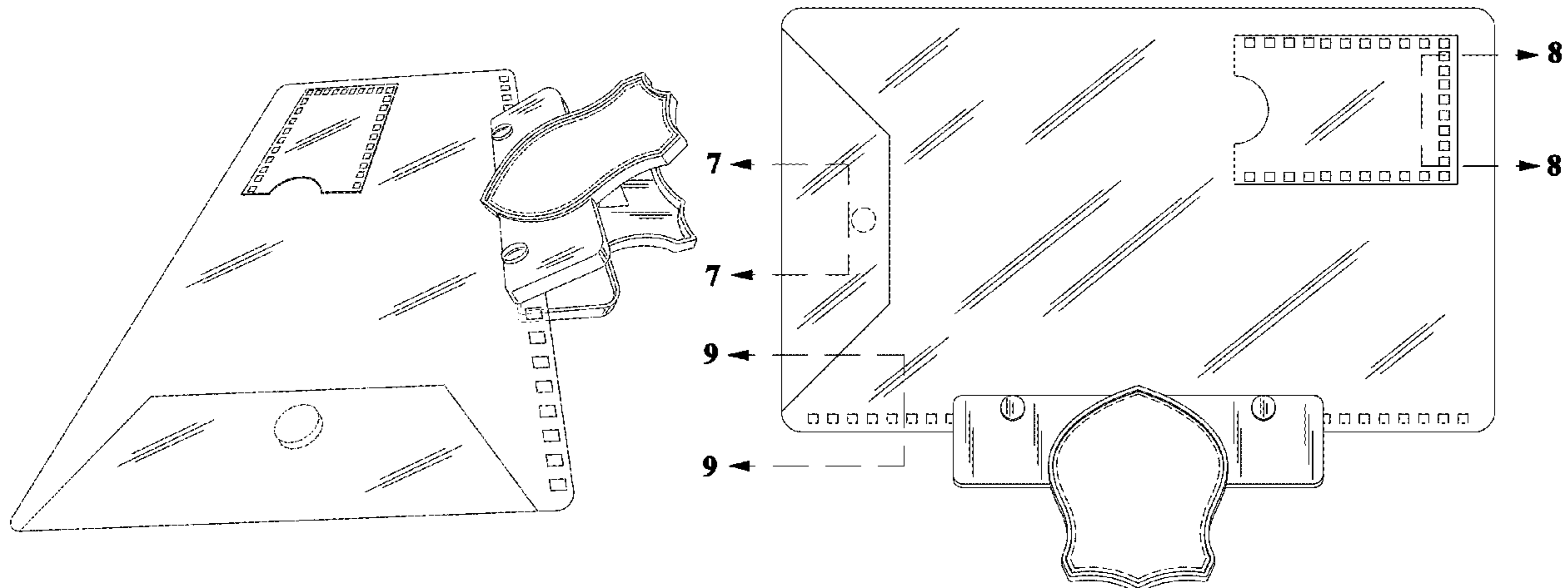
(57) **CLAIM**

The ornamental design for a vehicle operator document holder, as shown and described.

**DESCRIPTION**

FIG. 1 is a side perspective view of a vehicle operator document holder showing my new design; FIG. 2 is a front elevation view thereof; FIG. 3 is a rear elevation view thereof; FIG. 4 is a top plan view thereof; FIG. 5 is a bottom plan view thereof; FIG. 6 is a left side elevation view, the right side elevation view being a mirror image thereof; FIG. 7 is detail sectional view taken along line 7-7 of FIG. 2; FIG. 8 is a detail sectional view taken along line 8-8 of FIG. 2; FIG. 9 is a detail sectional view taken along line 9-9 of FIG. 2; and, FIG. 10 is a side elevation view thereof, shown in use applied to a visor of a motor vehicle. The broken lines shown in the drawings illustrate portions of the vehicle operator document holder that form no part of the claimed design. The broken lines in FIG. 10 showing the vehicle operator document holder in use illustrates environment and forms no part of the claim.

**1 Claim, 6 Drawing Sheets**



(58) **Field of Classification Search**  
 CPC ..... B42F 7/00; B42F 7/06; B65D 27/08  
 See application file for complete search history.

(56) **References Cited**

U.S. PATENT DOCUMENTS

D366,674	S *	1/1996	Hirai	.....	D19/32
D395,637	S *	6/1998	Patterson	.....	D12/417
5,887,773	A *	3/1999	Booth	.....	B60R 11/02 224/277
6,276,081	B1 *	8/2001	Shedd	.....	G09F 21/04 116/28 R
6,386,408	B1 *	5/2002	Beatty	.....	B60R 7/05 224/277
D477,908	S *	8/2003	Mear	.....	D3/226
D487,050	S *	2/2004	Hassett	.....	D12/417
D492,731	S *	7/2004	Ramey, III	.....	D19/88
D494,632	S *	8/2004	Gladstone	.....	D20/43
6,862,827	B2 *	3/2005	Gregory	.....	G09F 3/207 150/145
D503,535	S *	4/2005	Kraft	.....	D3/227
D504,367	S *	4/2005	Maxwell	.....	D12/191
D543,359	S *	5/2007	Suppangig	.....	D3/247
7,225,975	B1 *	6/2007	Cantley	.....	B42F 7/025 229/71
D567,741	S *	4/2008	Chalek	.....	D12/417
D597,008	S *	7/2009	Gammelgard	.....	D12/191
7,686,373	B1 *	3/2010	McCabe	.....	B60R 7/05 224/277
D626,999	S *	11/2010	Voelker	.....	D19/86

D669,121	S *	10/2012	May	.....	D19/26
8,739,442	B2 *	6/2014	Shape	.....	A47G 1/0616 224/312
D738,620	S *	9/2015	Schmole	.....	D3/249
D739,460	S *	9/2015	Gilbertson	.....	D19/26
D858,632	S *	9/2019	Penn	.....	D19/91
D860,647	S *	9/2019	Votel	.....	D3/301
D860,681	S *	9/2019	Montalvo	.....	D6/563
2004/0040194	A1 *	3/2004	Arraut	.....	G09F 3/20 40/654.01
2008/0041748	A1 *	2/2008	Wood	.....	B65D 33/24 206/425

OTHER PUBLICATIONS

Car Visor Regisration Wallet vehicle auto document holder storage insurance, Ebay.com, [online], [site visited Nov. 1, 2019]. <URL: <https://www.ebay.com/itm/Car-Visor-Registration-Wallet-vehicle-auto-document-holder-storage-insurance-/272556805827>> (Year: 2019).\*

Interior Accessories Auto Sunshade Cover Car Sun Visor CD Holder Phone Hanging Bag Trade Shop, Wish.com, [online], [site visited Nov. 1, 2019]. <URL: <https://www.wish.com/se/product/interior-accessories-auto-sunshade-cover-car-sun-visor-cd-holder-phone-hanging-bag-trade-shop-5cb041d65851cb01b55bcf01?>> (Year: 2019).\*

High Road Registration Wallet, CargoGear.com, [online], [site visited Nov. 1, 2019]. <URL: <https://www.cargogear.com/OneItemInfo.aspx?partnum=TAREGW>> (Year: 2019).\*

\* cited by examiner

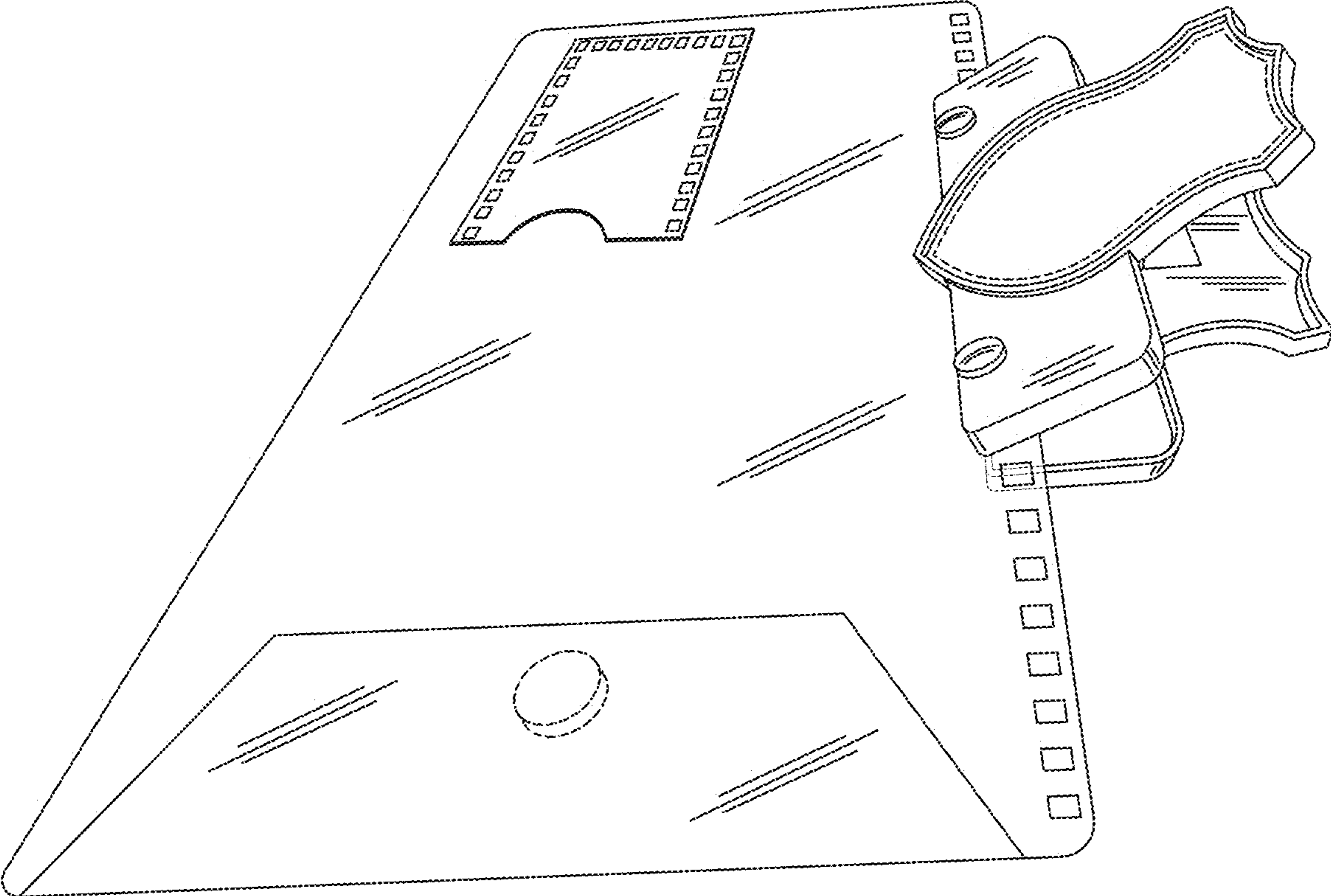
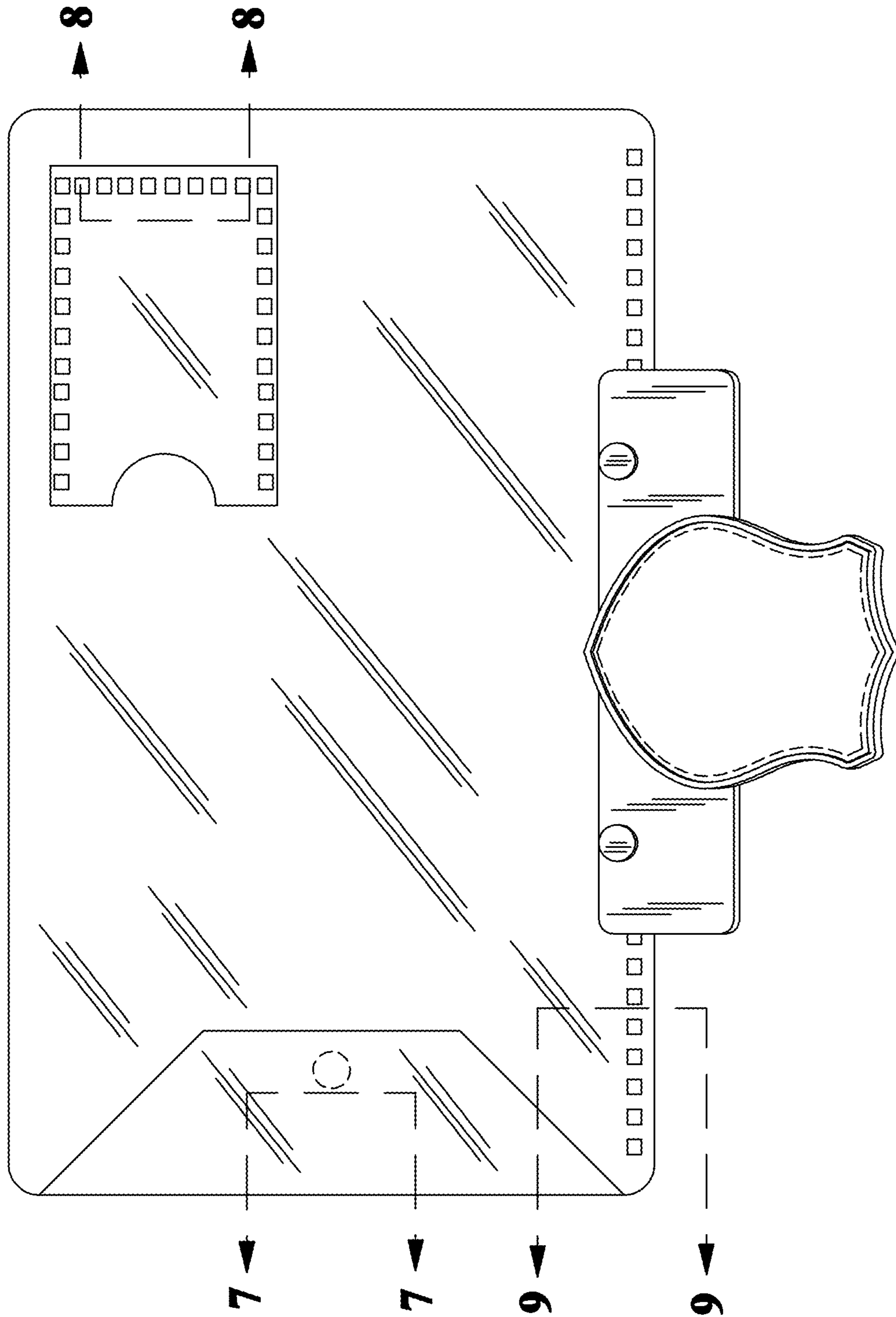
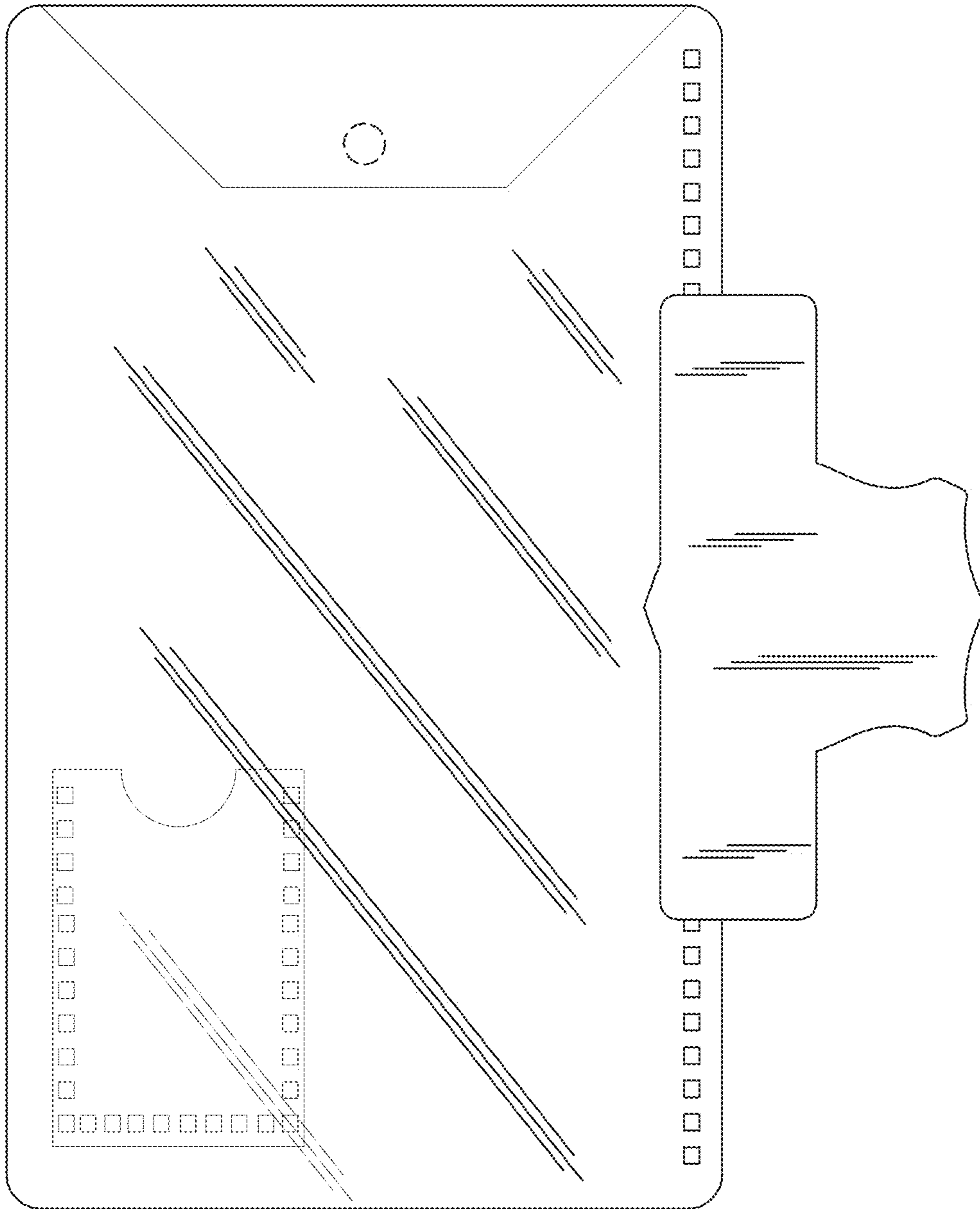


Fig. 1



**Fig. 2**



**Fig. 3**

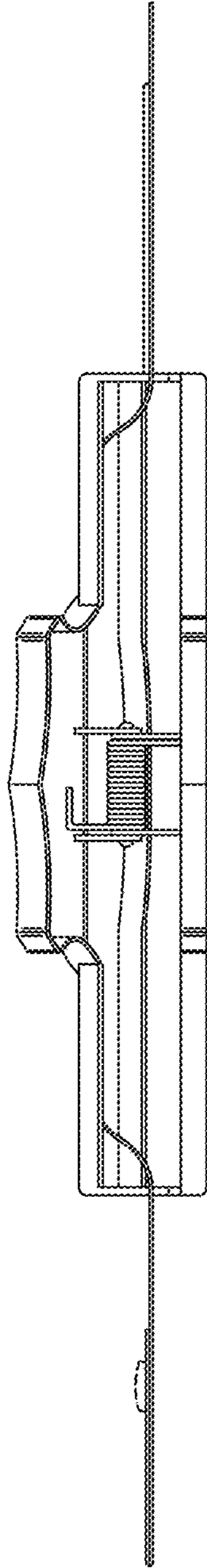


Fig. 4

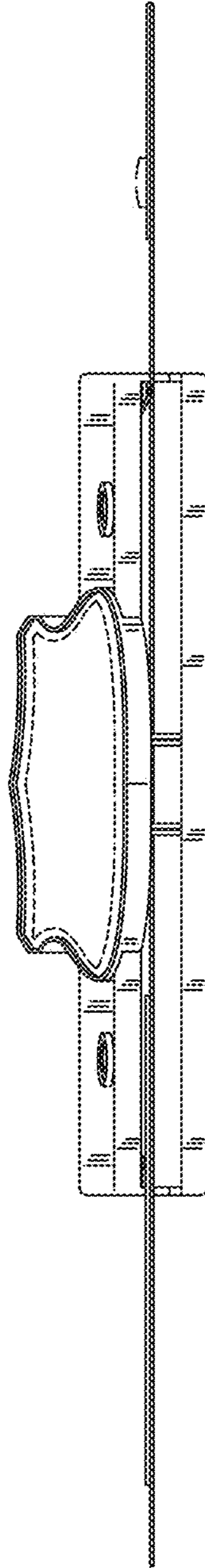


Fig. 5

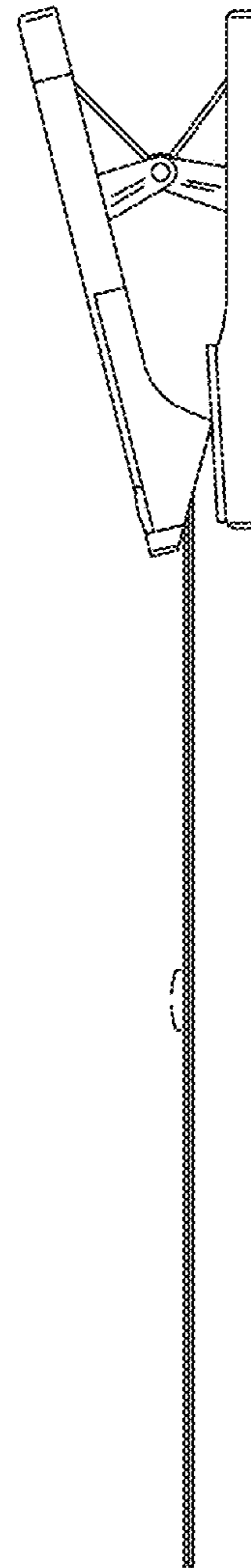


Fig. 6

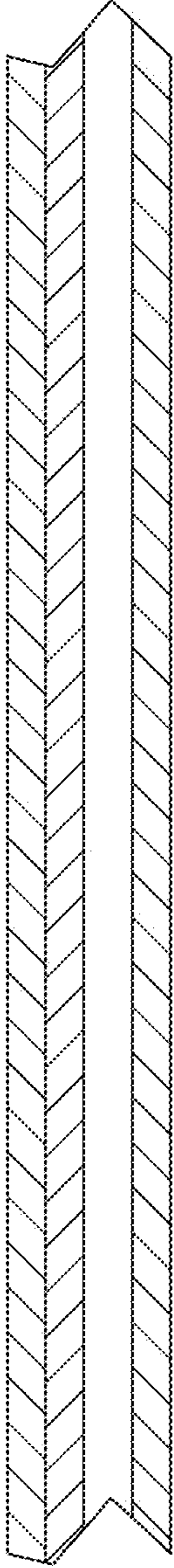


Fig. 7

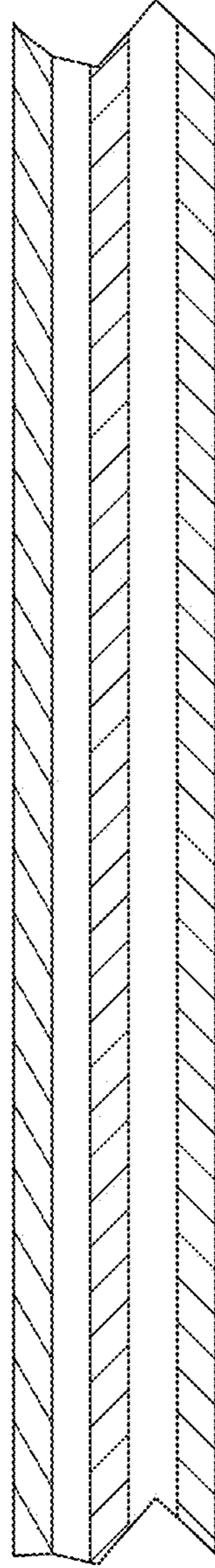


Fig. 8

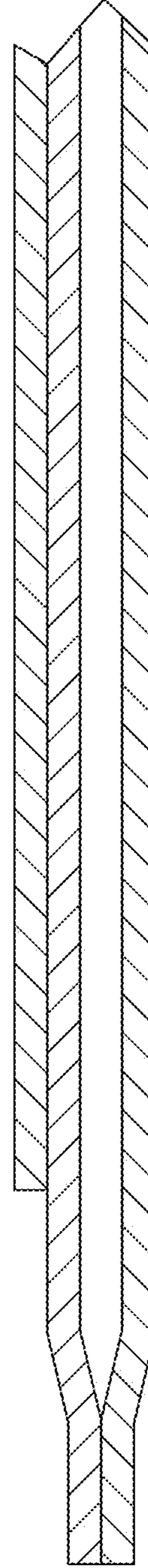
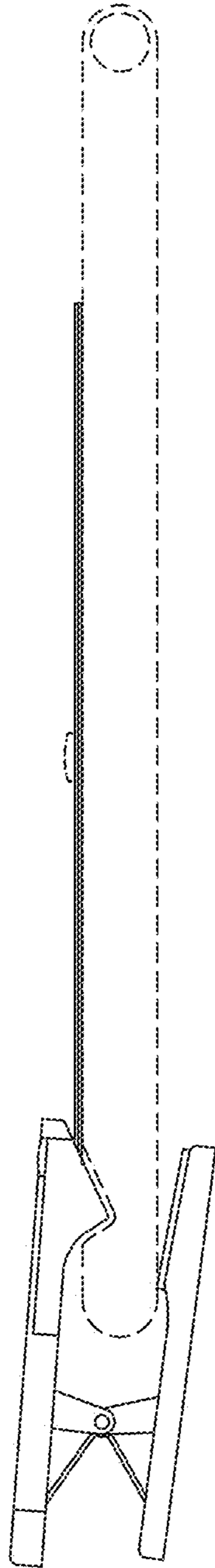


Fig. 9



**Fig. 10**