



US00D897932S

(12) **United States Design Patent**
Galdino et al.

(10) **Patent No.:** **US D897,932 S**

(45) **Date of Patent:** **** Oct. 6, 2020**

(54) **VEHICLE CENTER CONSOLE**

D765,017 S * 8/2016 Manzari D12/419
D765,018 S * 8/2016 Sahs D12/419
D766,811 S * 9/2016 Shouno D12/419

(71) Applicant: **KARMA AUTOMOTIVE LLC**,
Irvine, CA (US)

(Continued)

(72) Inventors: **Rodrigo Galdino**, Irvine, CA (US);
Andre Franco Luis, Irvine, CA (US);
Steve Mousigian, Irvine, CA (US)

OTHER PUBLICATIONS

Our Space, KarmaAutomotive.com, [online], [site visited May 28, 2020]. <URL: <https://www.karmaautomotive.com/revero>> (Year: 2020).*

(Continued)

(73) Assignee: **KARMA AUTOMOTIVE LLC**,
Irvine, CA (US)

(**) Term: **15 Years**

Primary Examiner — T Chase Nelson

Assistant Examiner — Jonathan J. Han

(21) Appl. No.: **29/685,949**

(74) *Attorney, Agent, or Firm* — Gordon Rees Scully

Mansukhani, LLP

(22) Filed: **Apr. 1, 2019**

(51) **LOC (12) Cl.** **12-16**

(52) **U.S. Cl.**
USPC **D12/415**

(58) **Field of Classification Search**
USPC D12/415–420, 400, 195, 191, 106, 345,
D12/96, 99; D21/421; D7/619.1–625,
D7/701
CPC B60R 7/04; B60R 7/06; B60R 7/08; B60N
2/46
See application file for complete search history.

(57) **CLAIM**

The ornamental design for a vehicle center console, as shown and described.

DESCRIPTION

FIG. 1 is a rear and left side perspective view of a vehicle center console.

FIG. 2 is a front view of the vehicle center console of FIG. 1.

FIG. 3 is a rear view of the vehicle center console of FIG. 1.

FIG. 4 is a right side view of the vehicle center console of FIG. 1.

FIG. 5 is a left side view of the vehicle center console of FIG. 1.

FIG. 6 is a top view of the vehicle center console of FIG. 1; and,

FIG. 7 is a bottom view of the vehicle center console of FIG. 1.

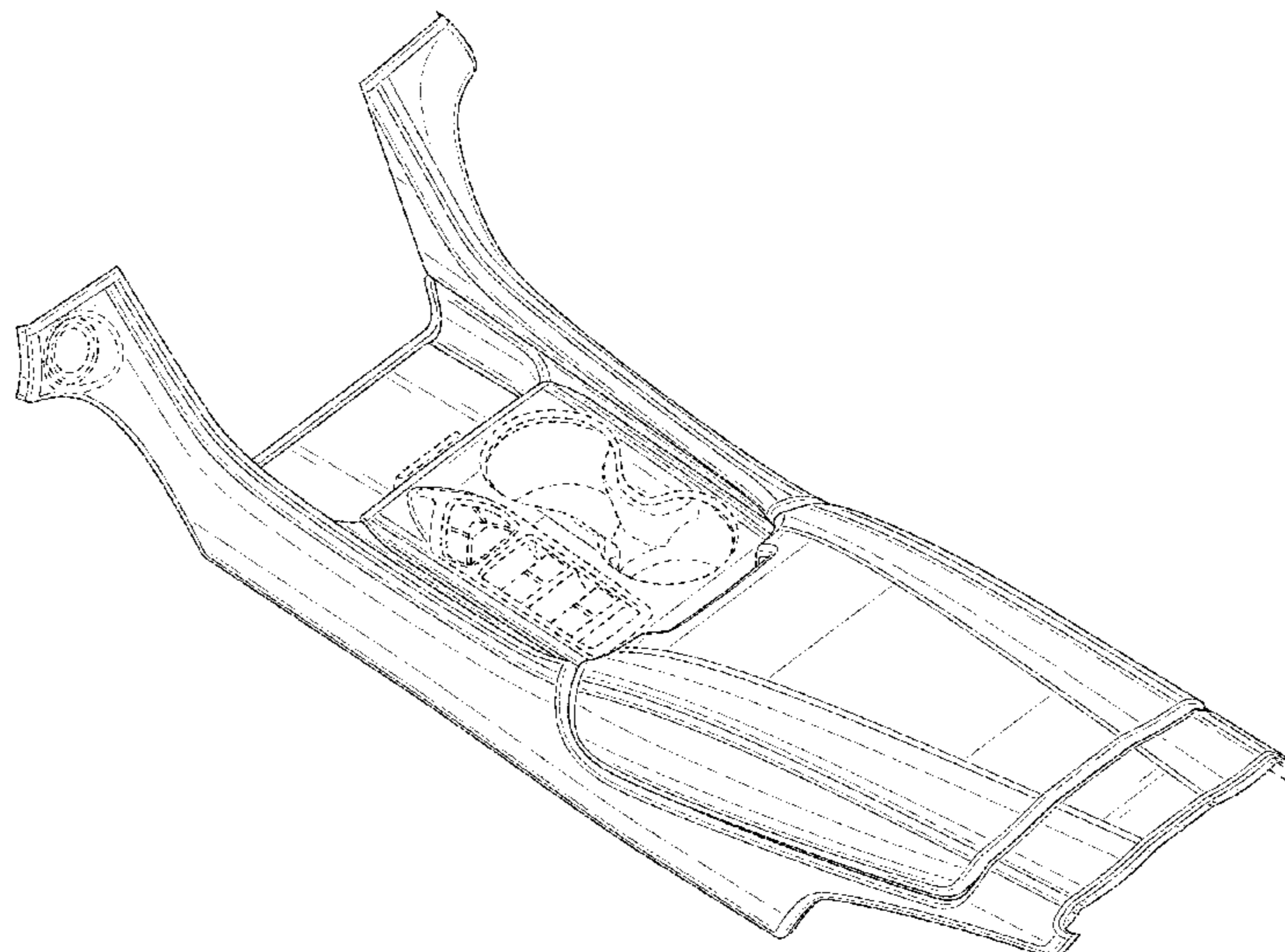
The dashed lines showing the various parts of the vehicle center console are for illustrative purposes only and form no part of the claimed design.

(56) **References Cited**

U.S. PATENT DOCUMENTS

D473,509 S * 4/2003 Pfeiffer D12/415
D632,639 S * 2/2011 Rosenbohm D12/415
D673,496 S * 1/2013 Kikuta D12/415
D710,786 S * 8/2014 Tilscher D12/424
D718,200 S * 11/2014 Arnaout D12/192
D718,218 S * 11/2014 Tanaka D12/424
D725,582 S * 3/2015 Kobari D12/419
D725,583 S * 3/2015 Seki D12/419
D729,144 S * 5/2015 Yamamoto D12/415
D739,337 S * 9/2015 Persson D12/415
D742,300 S * 11/2015 Fontaeus D12/415
D764,387 S * 8/2016 Tanaka D12/419
D764,991 S * 8/2016 Woodhouse D12/195

1 Claim, 7 Drawing Sheets



(56)

References Cited

U.S. PATENT DOCUMENTS

D781,210 S *	3/2017	Itou	D12/419
D781,211 S *	3/2017	Satou	D12/419
D786,174 S *	5/2017	Godard	D12/415
D801,245 S *	10/2017	Giolito	D12/192
D824,324 S *	7/2018	Gao	D12/415
D824,838 S *	8/2018	Takamura	D12/419
D826,813 S *	8/2018	Carr	D12/192
D827,549 S *	9/2018	Igarashi	D12/419
D832,187 S *	10/2018	Buffery	D12/419
D836,059 S *	12/2018	Takagi	D12/415
D836,060 S *	12/2018	Takagi	D12/415
D857,611 S *	8/2019	Igarashi	D12/415
D862,336 S *	10/2019	Song	D12/192
D863,162 S *	10/2019	Schneider	D12/192
D864,066 S *	10/2019	Ray	D12/192
D869,380 S *	12/2019	Kabata	D12/415
D876,319 S *	2/2020	Buffery	D12/419

OTHER PUBLICATIONS

2020 Karma Revero: The Lazarus Car (It's Back From The Dead)—Autoline Test Drive Review, YouTube.com, Autoline Network, Oct. 18, 2019, [online], [site visited May 28, 2020]. <URL: <https://www.youtube.com/watch?v=Yla4GM36pXA>> (Year: 2019).*

New 2019 Porsche 911: eight-generation sport car revealed, AutoCar.co.uk, by Greg Kable, Nov. 28, 2018, [online], [site visited May 28, 2020]. <URL: <https://www.autocar.co.uk/car-news/new-cars/2019-porsche-911>> (Year: 2018).*

Wow . . . !! 2017 BMW i8 Interior | Sportscar, YouTube.com, Sportscar, Feb. 27, 2017, [online], [site visited May 28, 2020]. <URL: <https://www.youtube.com/watch?v=J1LRpaXVMMU>> (Year: 2017).*

* cited by examiner

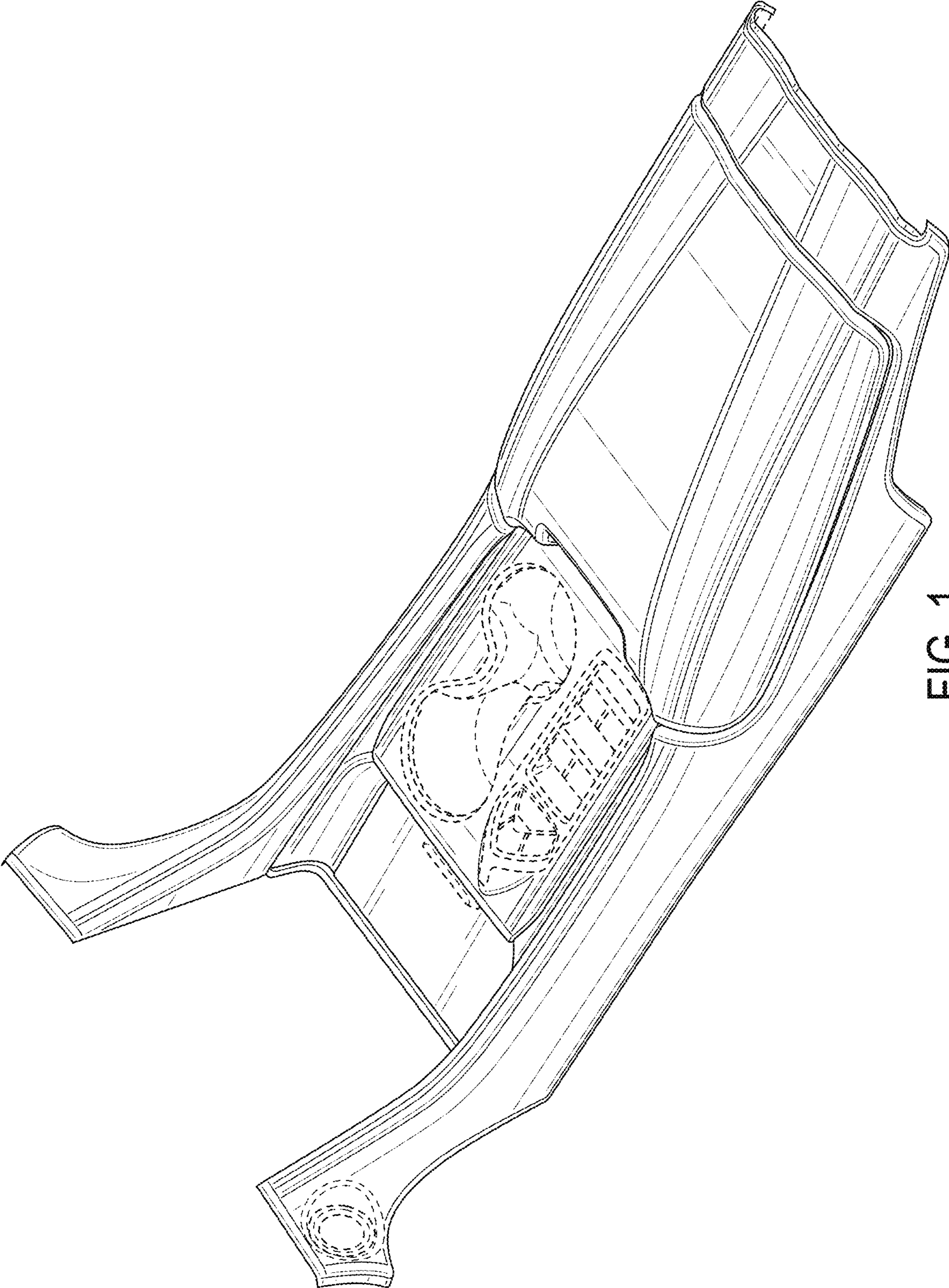


FIG. 1

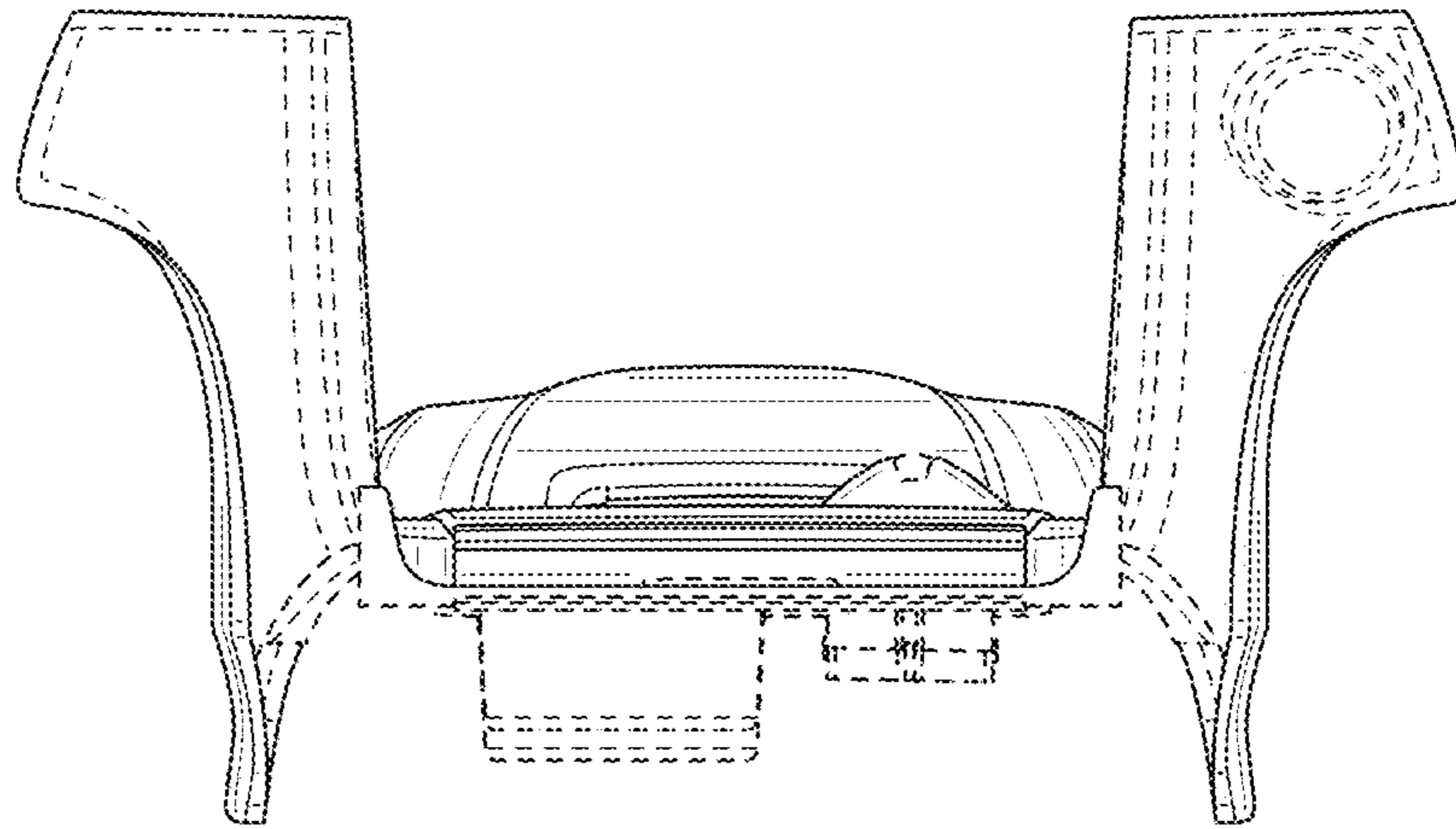


FIG. 2

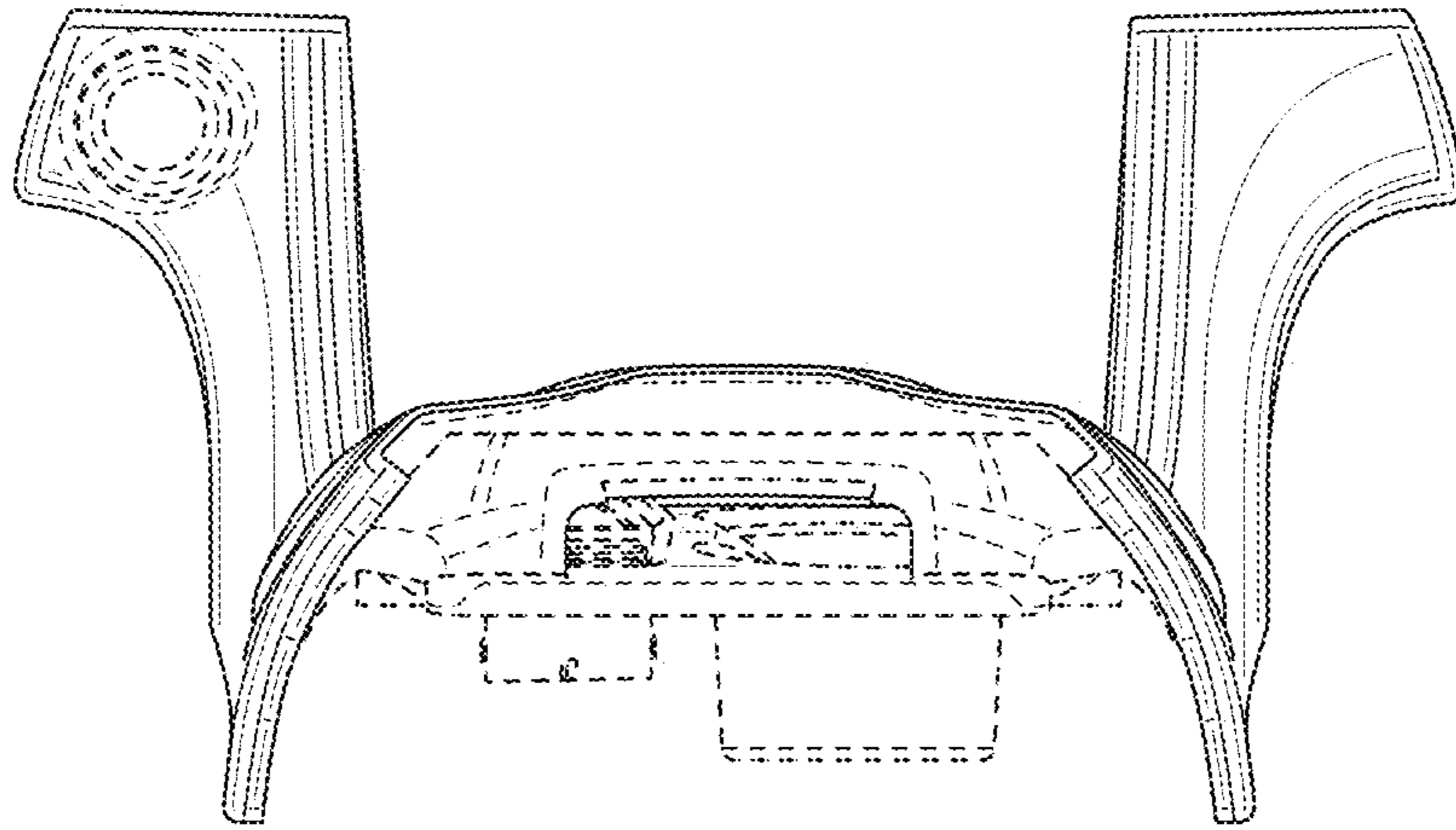


FIG. 3

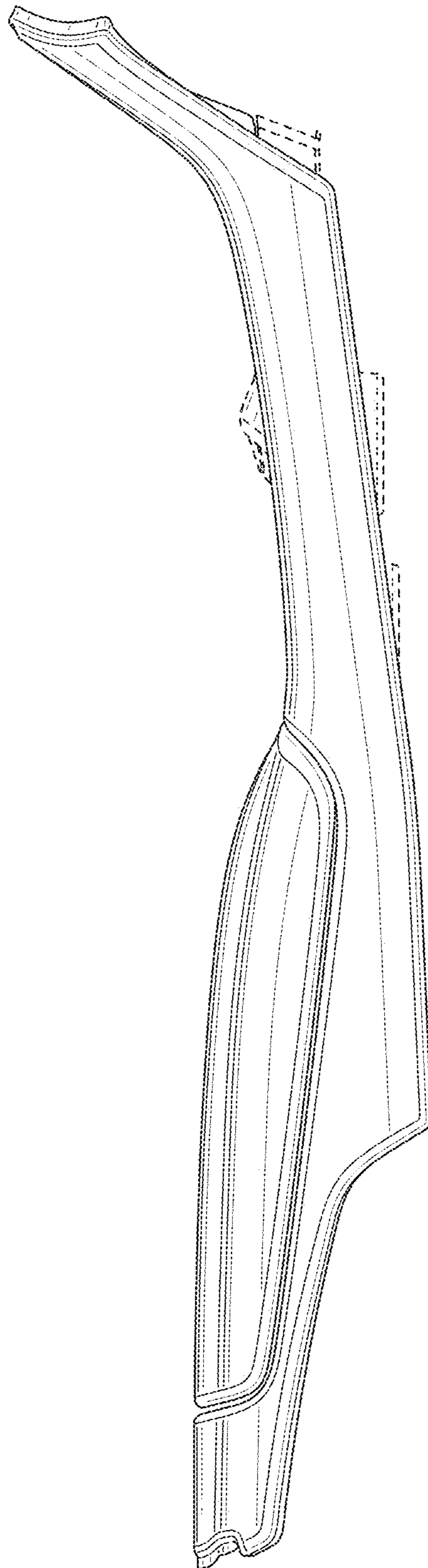


FIG. 4

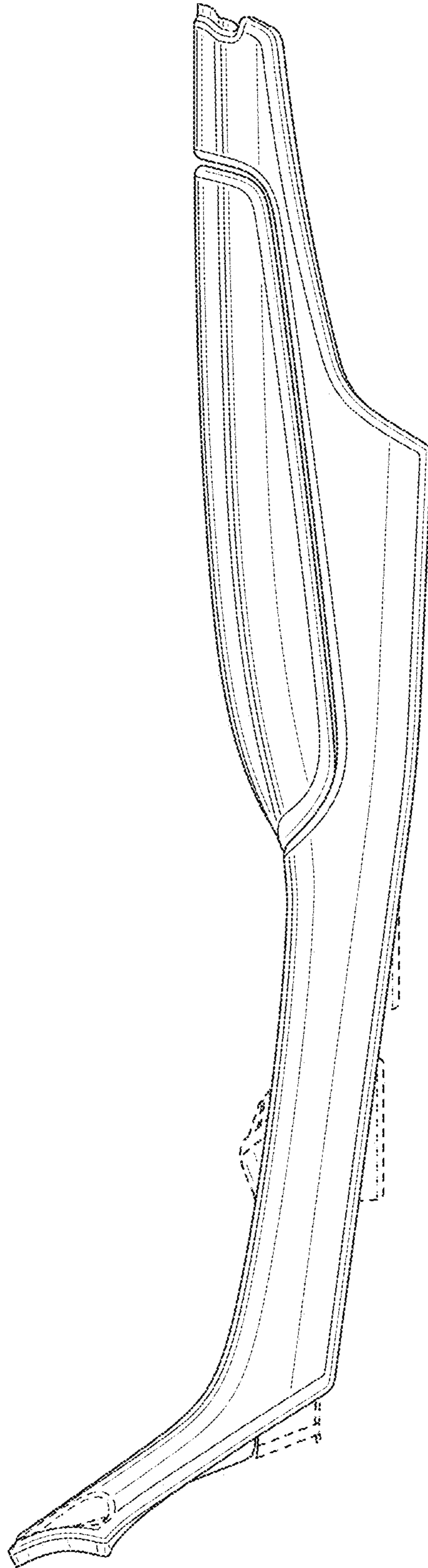


FIG. 5

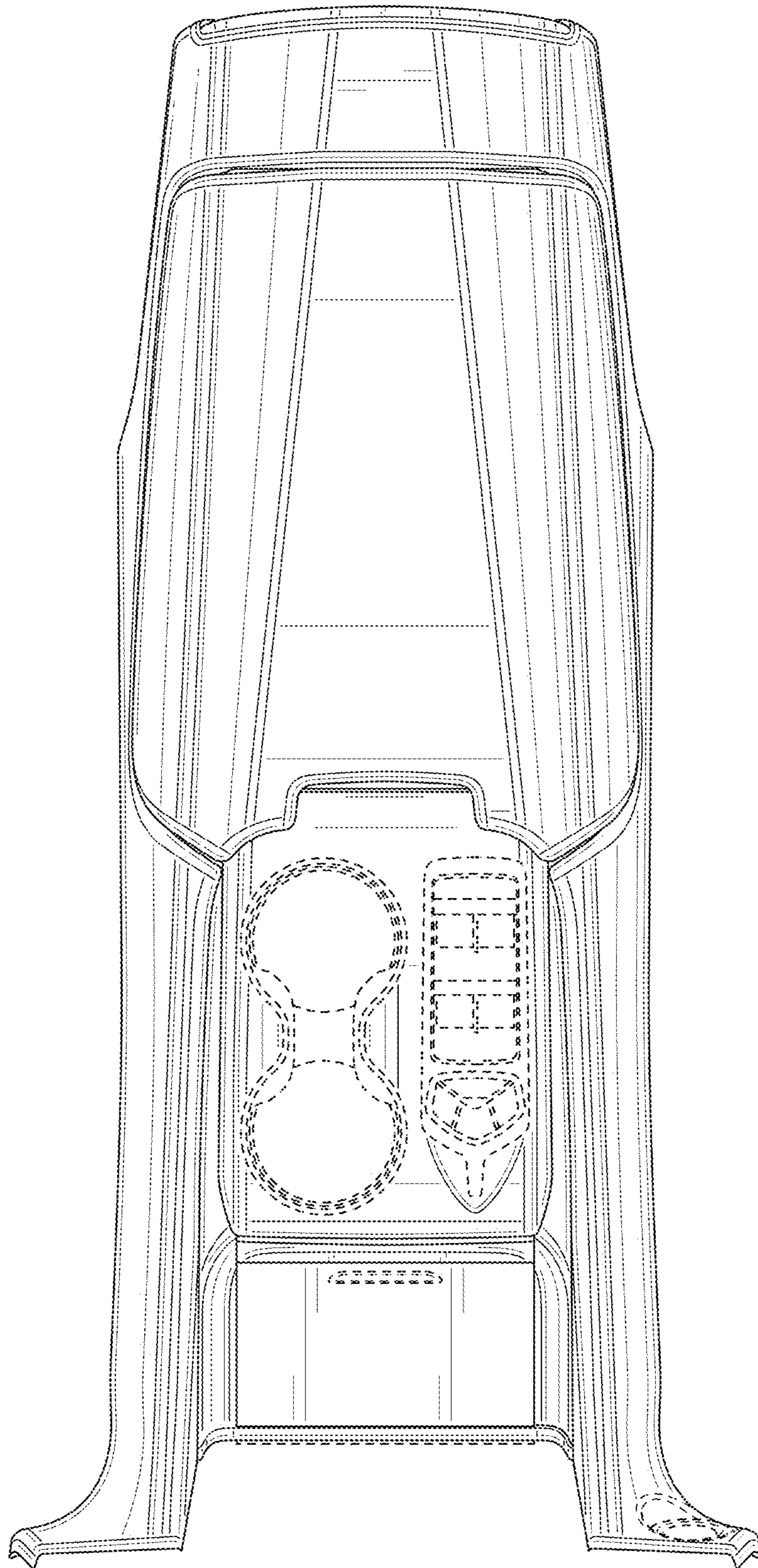


FIG. 6

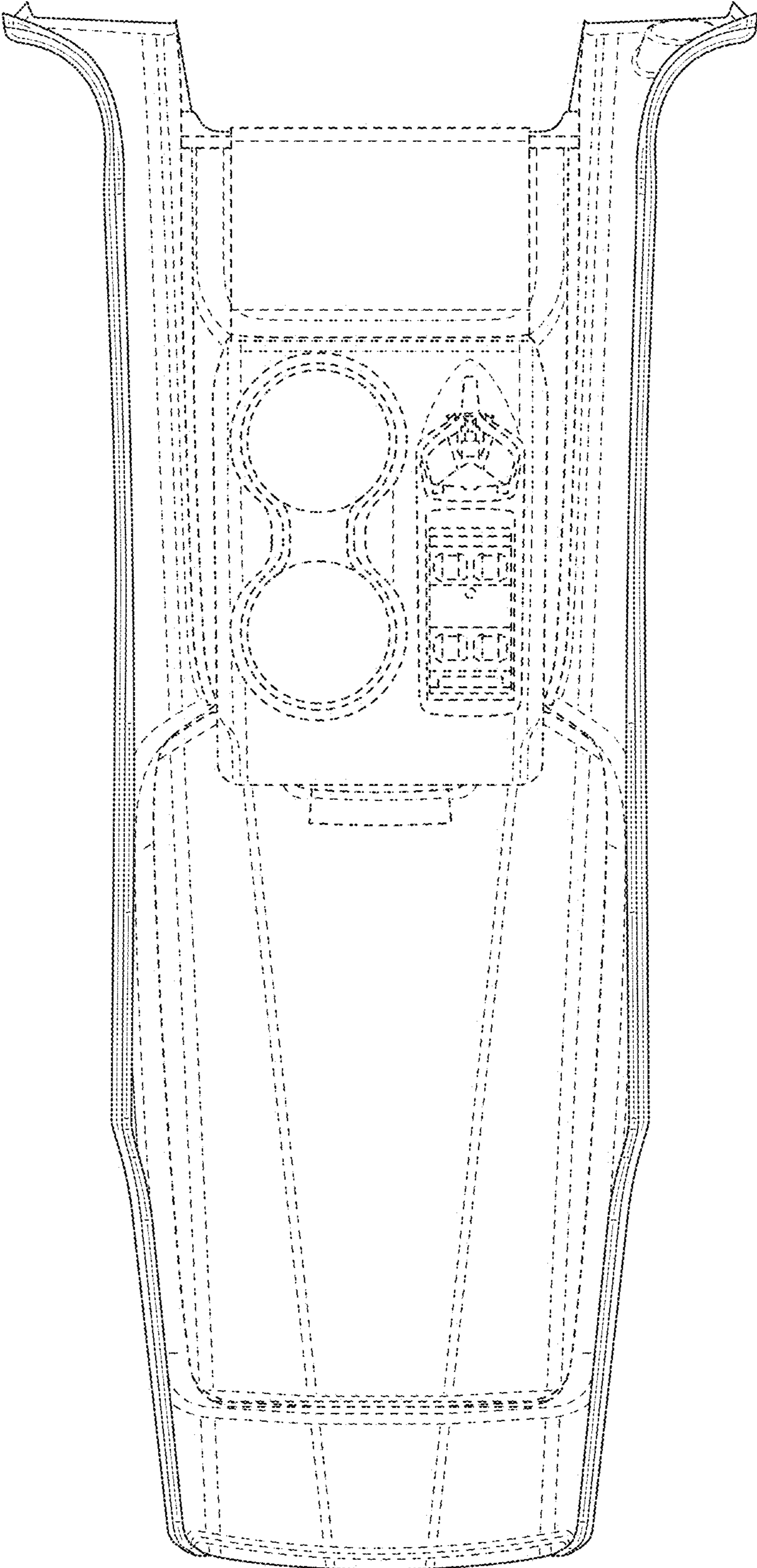


FIG. 7