



US00D897930S

(12) **United States Design Patent** (10) **Patent No.:** **US D897,930 S**
MacIndoe (45) **Date of Patent:** **** Oct. 6, 2020**

(54) **TOP**
(71) Applicant: **Twist Aftermarket, LLC**, Sarasota, FL (US)
(72) Inventor: **Scott MacIndoe**, Sarasota, FL (US)
(73) Assignee: **Twist Aftermarket, LLC**, Sarasota, FL (US)
(**) Term: **15 Years**

D776,601 S *	1/2017	McDonald, II	D12/401
D781,207 S	3/2017	Johnson		
D793,328 S *	8/2017	Bridges	D12/317
D833,366 S *	11/2018	Dowdey	D12/401
D847,079 S *	4/2019	Nightingale	D12/401
D863,197 S *	10/2019	Gordon	D12/401
D864,310 S *	10/2019	Jens Christensen	D21/562
D885,302 S *	5/2020	Sprowl	D12/401
2007/0182217 A1 *	8/2007	Saleen	B62D 25/06 296/215
2008/0238065 A1	10/2008	Hart et al.		
2010/0045075 A1 *	2/2010	MacK	B62D 27/026 296/215

(21) Appl. No.: **29/662,349**
(22) Filed: **Sep. 5, 2018**
(51) **LOC (12) Cl.** **12-16**
(52) **U.S. Cl.**
USPC **D12/401**
(58) **Field of Classification Search**
USPC D12/401-405; D6/610, 611, 596,
D6/601-603, 615-617, 621; D7/332,
D7/334-337
CPC B65D 85/68; B65D 31/16; B65D 33/02;
B60R 5/04; B60R 5/045; B60P 7/04
See application file for complete search history.

* cited by examiner

Primary Examiner — Katrina A Betton
(74) *Attorney, Agent, or Firm* — Dinsmore & Shohl LLP

(57) **CLAIM**

The ornamental design for a top, as shown and described.

DESCRIPTION

FIG. 1 is a perspective side view of the top shown in the closed position;
FIG. 2 is a perspective front/side view shown with a panel in an open position;
FIG. 3 is a side view of the top in a closed position;
FIG. 4 is a side view of the top with a panel in the open position;
FIG. 5 is a front view of the top with a panel in the open position; and,
FIG. 6 is a rear view of the top in a closed position.
It should be appreciated that the broken lines are merely illustrative of the environment of the design, and not part of the claimed design.

(56) **References Cited**

U.S. PATENT DOCUMENTS

D513,223 S	12/2005	Saito et al.		
D654,844 S	2/2012	Pinto et al.		
D655,668 S	3/2012	Levorato et al.		
D678,173 S *	3/2013	McIntire	D12/401
D686,136 S *	7/2013	Galley	D12/401
D758,281 S	6/2016	Galloway		
D761,713 S	7/2016	Hensley		
D766,157 S	9/2016	Reynolds et al.		

1 Claim, 6 Drawing Sheets

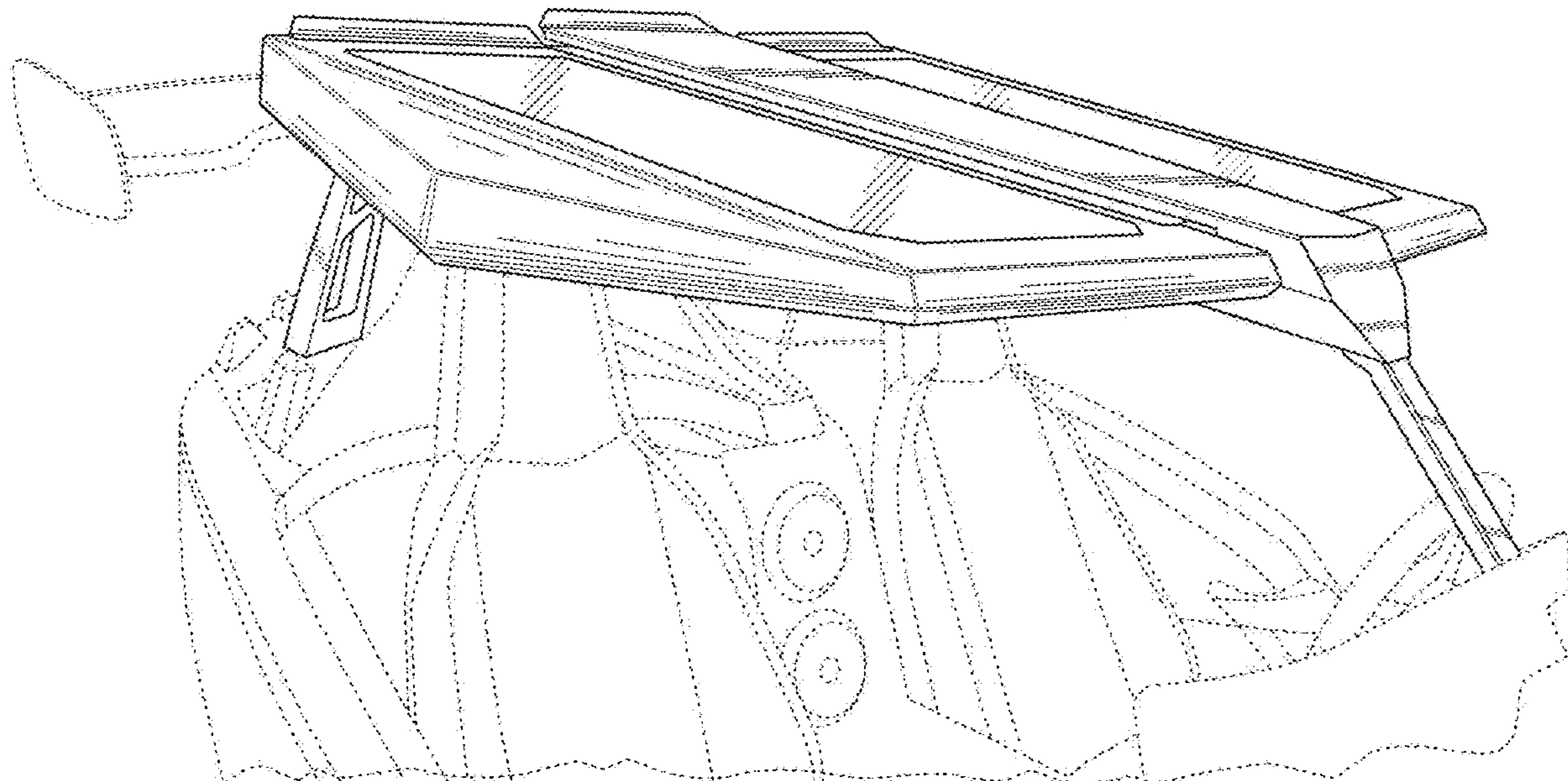


FIG. 1

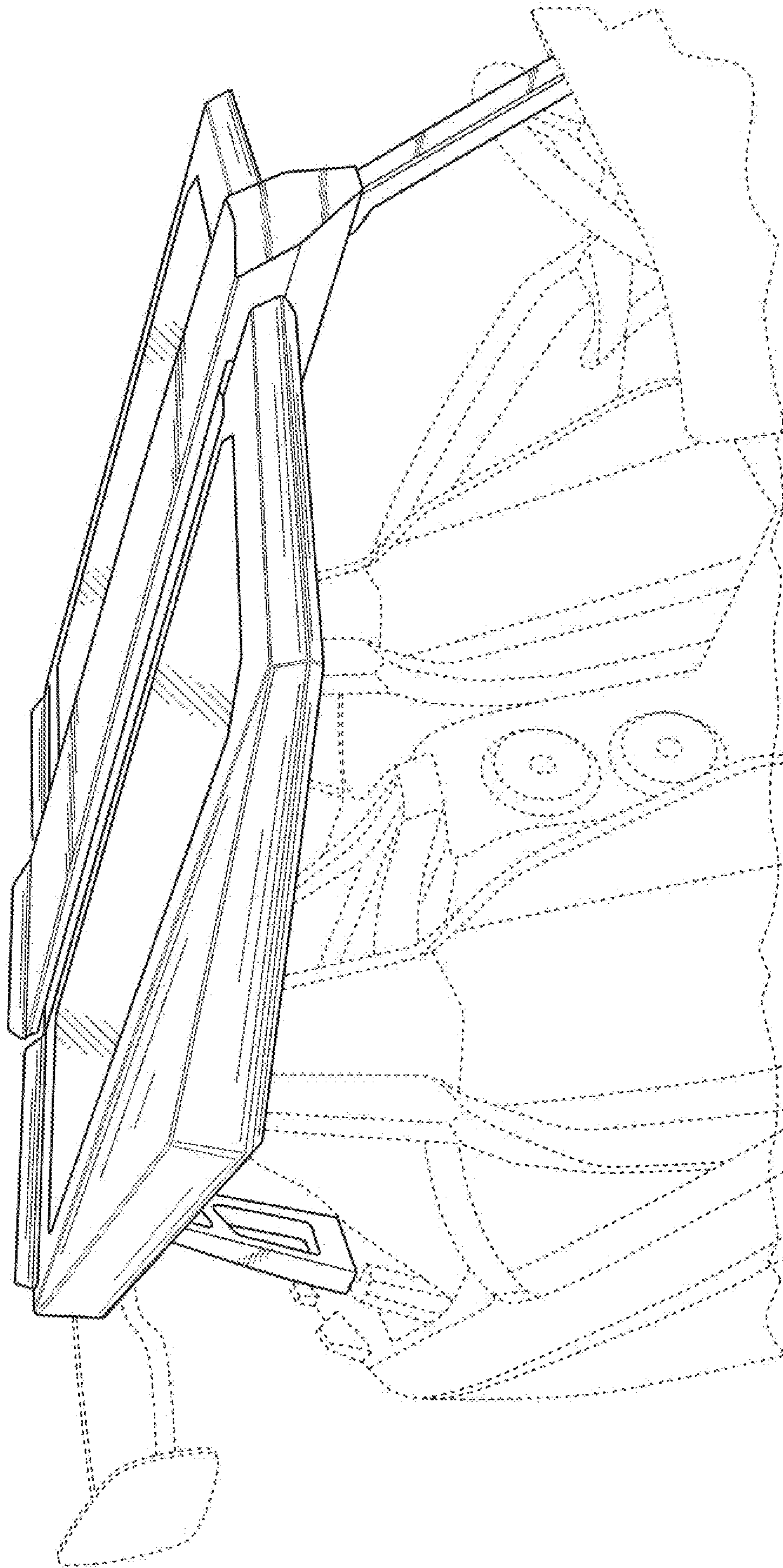


FIG. 2

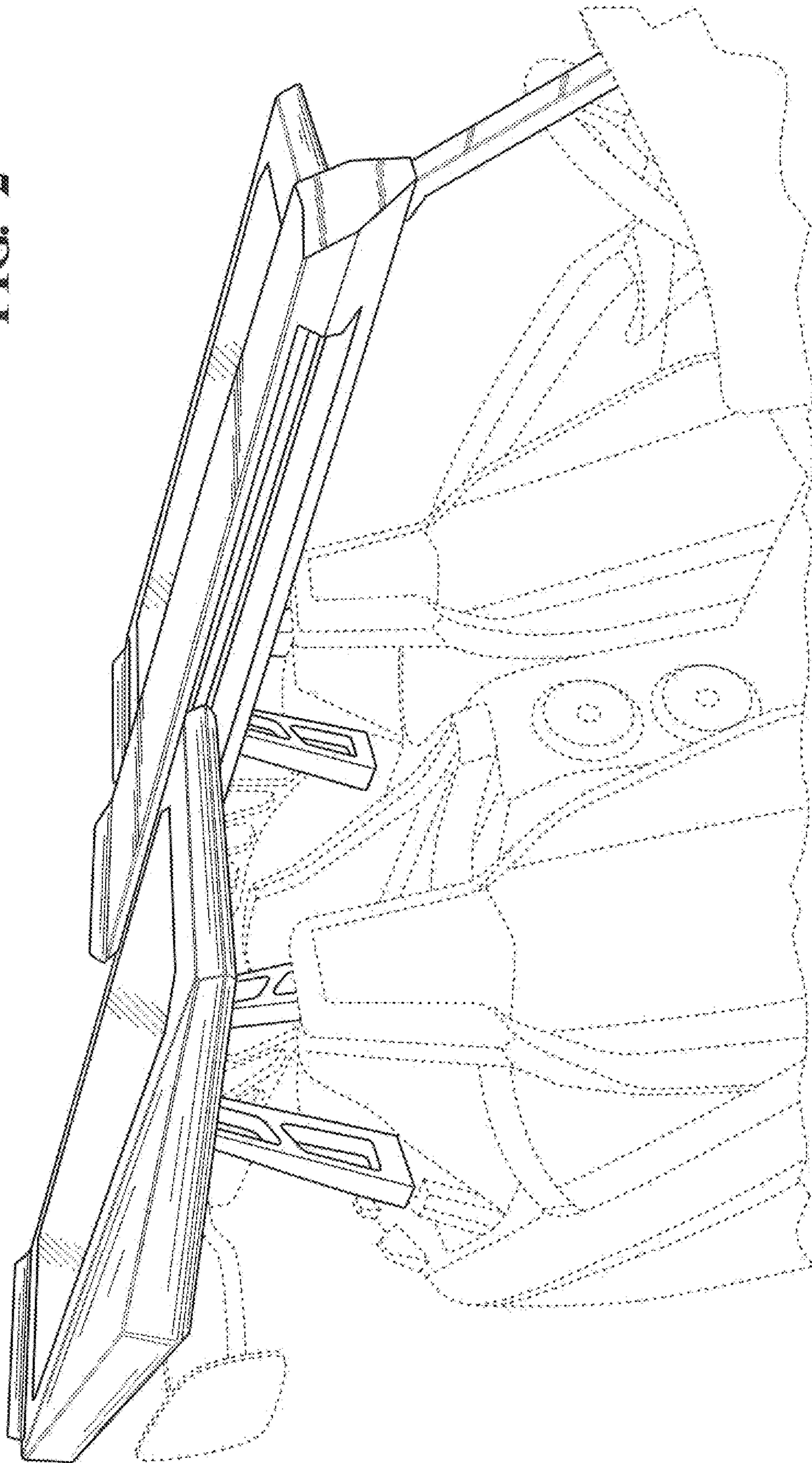


FIG. 3

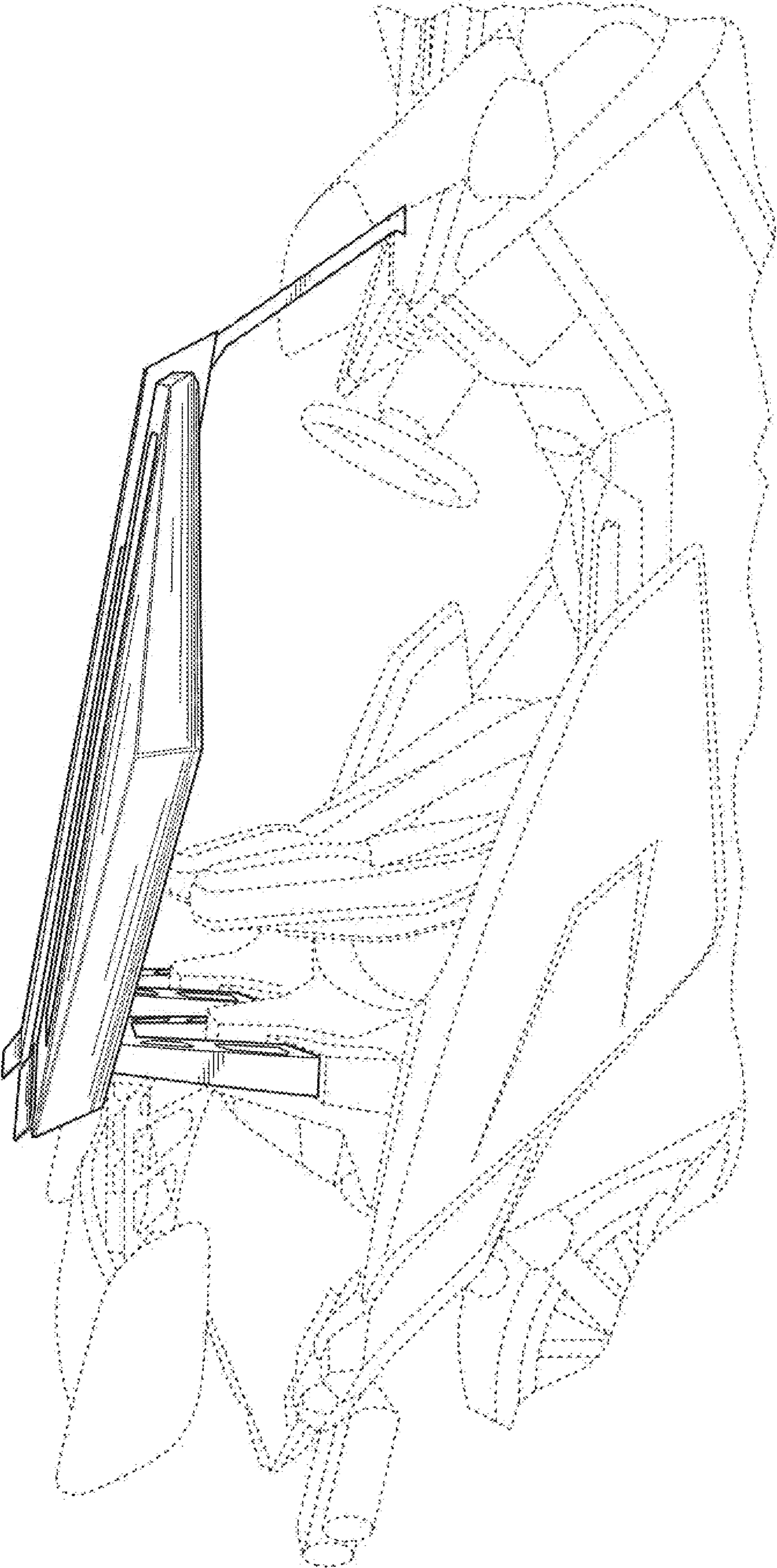


FIG. 4

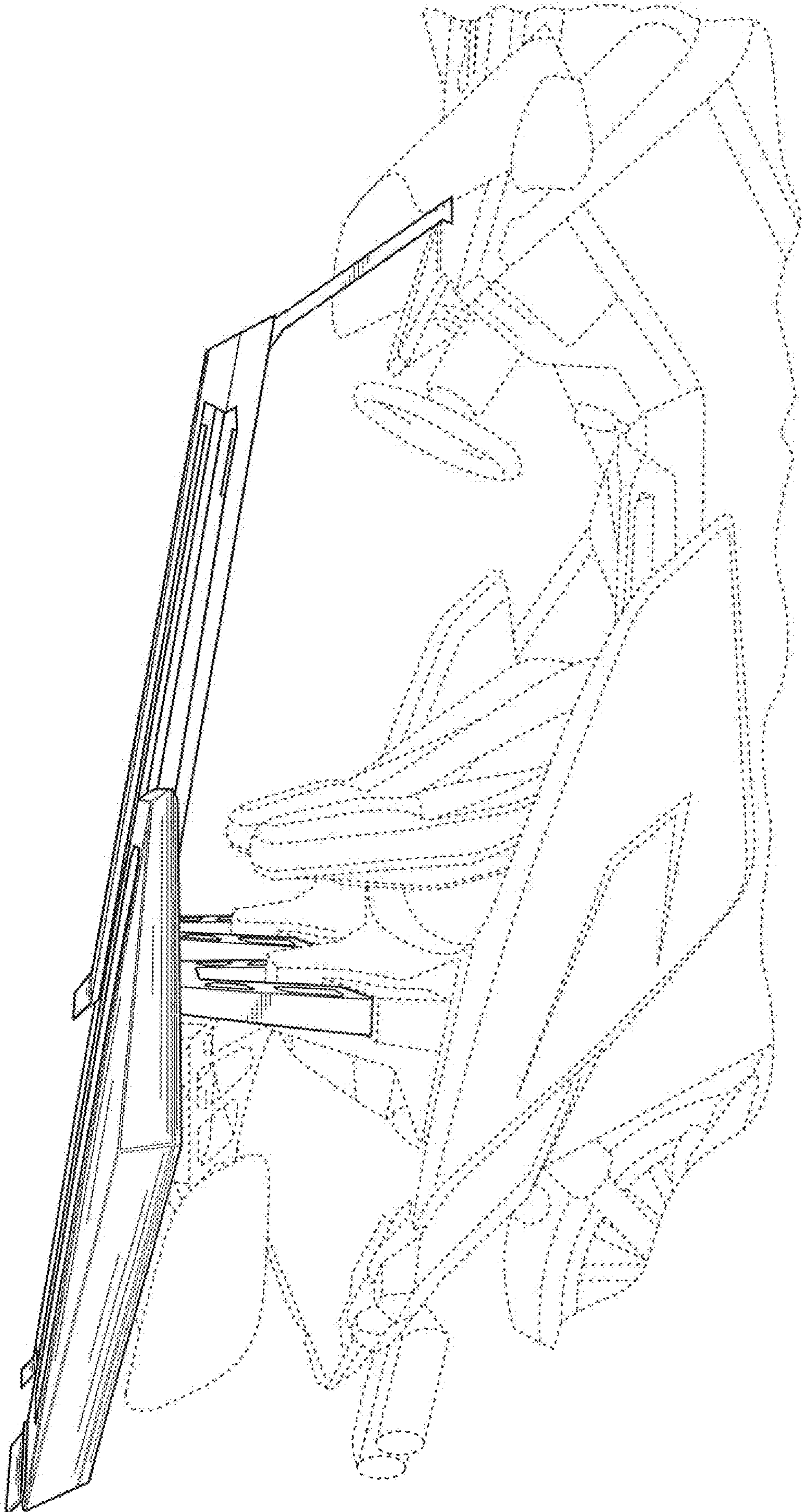


FIG. 5

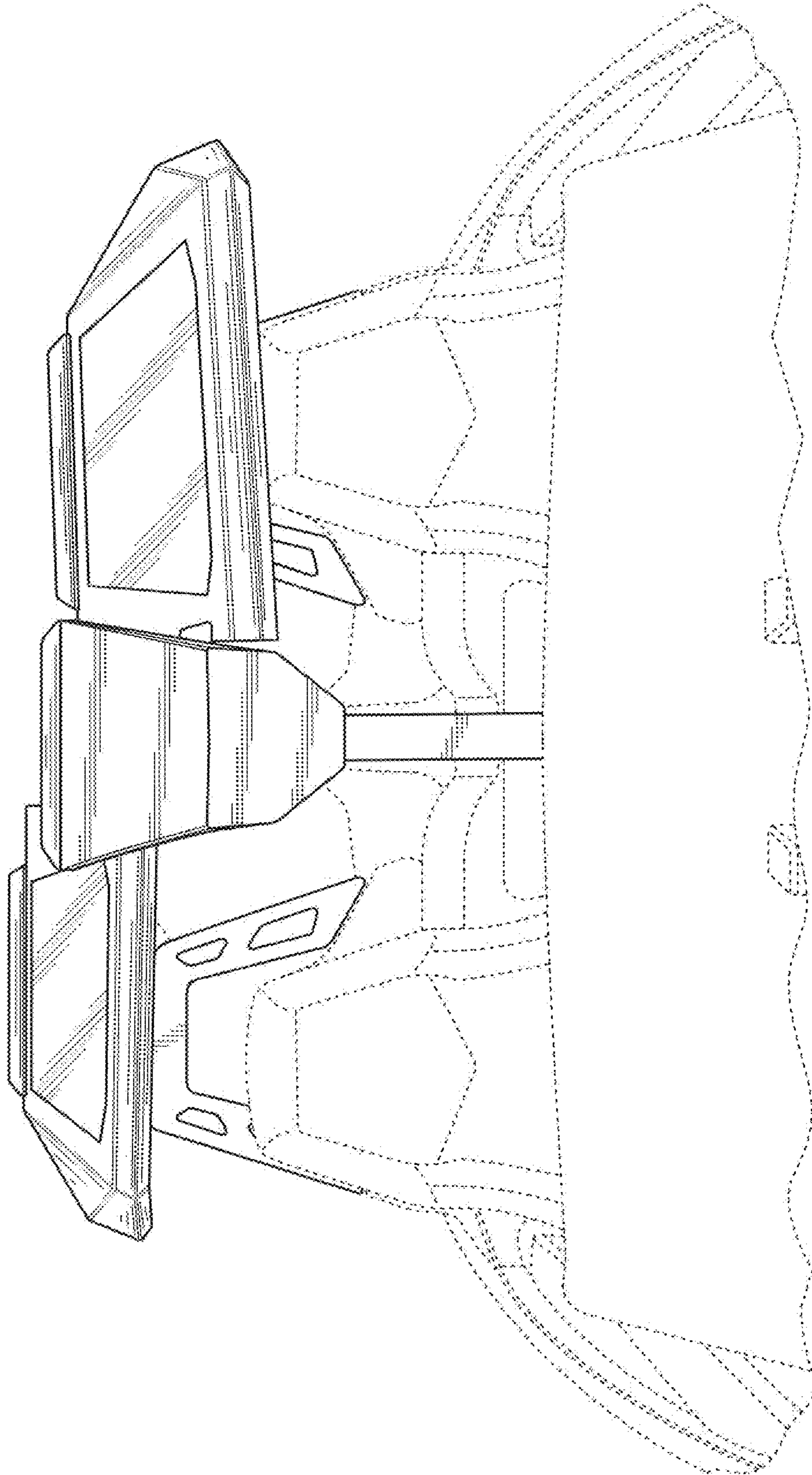


FIG. 6

