



US00D897927S

(12) **United States Design Patent**  
**Langhals et al.**

(10) **Patent No.:** **US D897,927 S**

(45) **Date of Patent:** **\*\* Oct. 6, 2020**

(54) **WHEEL**

(71) Applicants: **Taylor A. Langhals**, Waterford, MI (US); **Mohamad Hammoud**, Lake Orion, MI (US)

(72) Inventors: **Taylor A. Langhals**, Waterford, MI (US); **Mohamad Hammoud**, Lake Orion, MI (US)

(73) Assignee: **FCA US LLC**, Auburn Hills, MI (US)

(\*\*) Term: **15 Years**

(21) Appl. No.: **29/679,557**

(22) Filed: **Feb. 7, 2019**

(51) **LOC (12) Cl.** ..... **12-16**

(52) **U.S. Cl.**  
USPC ..... **D12/211**

(58) **Field of Classification Search**  
USPC ..... D12/204–213; D21/563  
CPC .... B60B 7/00; B60B 7/02; B60B 7/04; B60B 7/01; B60B 7/06; B60B 3/02; B60B 3/04; B60B 3/06; B60B 3/10; B60B 1/00; B60B 1/08; B60B 1/10; B60B 1/12  
See application file for complete search history.

(56) **References Cited**

**U.S. PATENT DOCUMENTS**

D589,428 S \* 3/2009 Scheu ..... D12/211  
D660,768 S \* 5/2012 De Bono ..... D12/211  
D682,764 S \* 5/2013 Amezketa ..... D12/211

D721,028 S \* 1/2015 Lemke ..... D12/211  
D726,626 S \* 4/2015 Mays ..... D12/211  
D731,389 S \* 6/2015 Gotschke ..... D12/211  
D748,034 S \* 1/2016 Hall ..... D12/211  
D756,880 S \* 5/2016 Zhao ..... D12/211  
D764,372 S \* 8/2016 Behmer ..... D12/211  
D768,047 S \* 10/2016 Hans ..... D12/211  
D769,171 S \* 10/2016 Johnson ..... D12/211  
D777,076 S \* 1/2017 Trpinac ..... D12/211  
D778,801 S \* 2/2017 Bucher ..... D12/211  
D785,535 S \* 5/2017 Valencia Pollex ..... D12/209  
D792,303 S \* 7/2017 Chung ..... D12/209  
D811,979 S \* 3/2018 Svensson ..... D12/211  
D827,539 S \* 9/2018 Behmer ..... D12/209  
D853,934 S \* 7/2019 Waldron ..... D12/211  
D857,598 S \* 8/2019 De Jung ..... D12/211  
D861,566 S \* 10/2019 Kippes ..... D12/209  
D877,018 S \* 3/2020 Betancourt ..... D12/209

\* cited by examiner

*Primary Examiner* — Stacia A Cadmus

(74) *Attorney, Agent, or Firm* — Ralph E. Smith

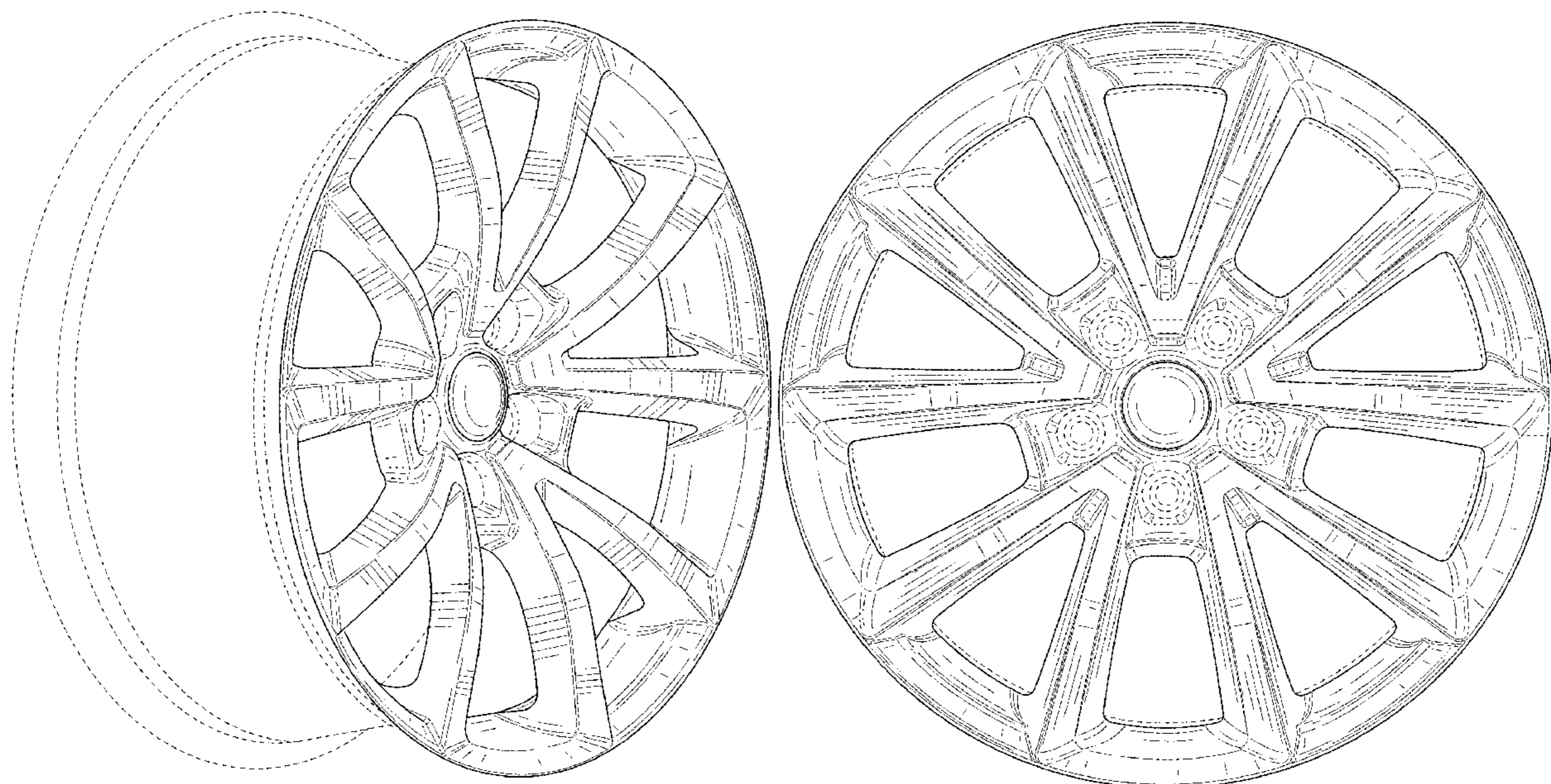
(57) **CLAIM**

The ornamental design for a wheel, as shown and described.

**DESCRIPTION**

FIG. 1 is a right perspective view of a wheel showing our new design;  
FIG. 2 is a left perspective view thereof; and,  
FIG. 3 is a front view thereof.  
It will be understood that the broken lines shown in the drawings illustrate portions of the wheel that form no part of the claimed design.

**1 Claim, 3 Drawing Sheets**



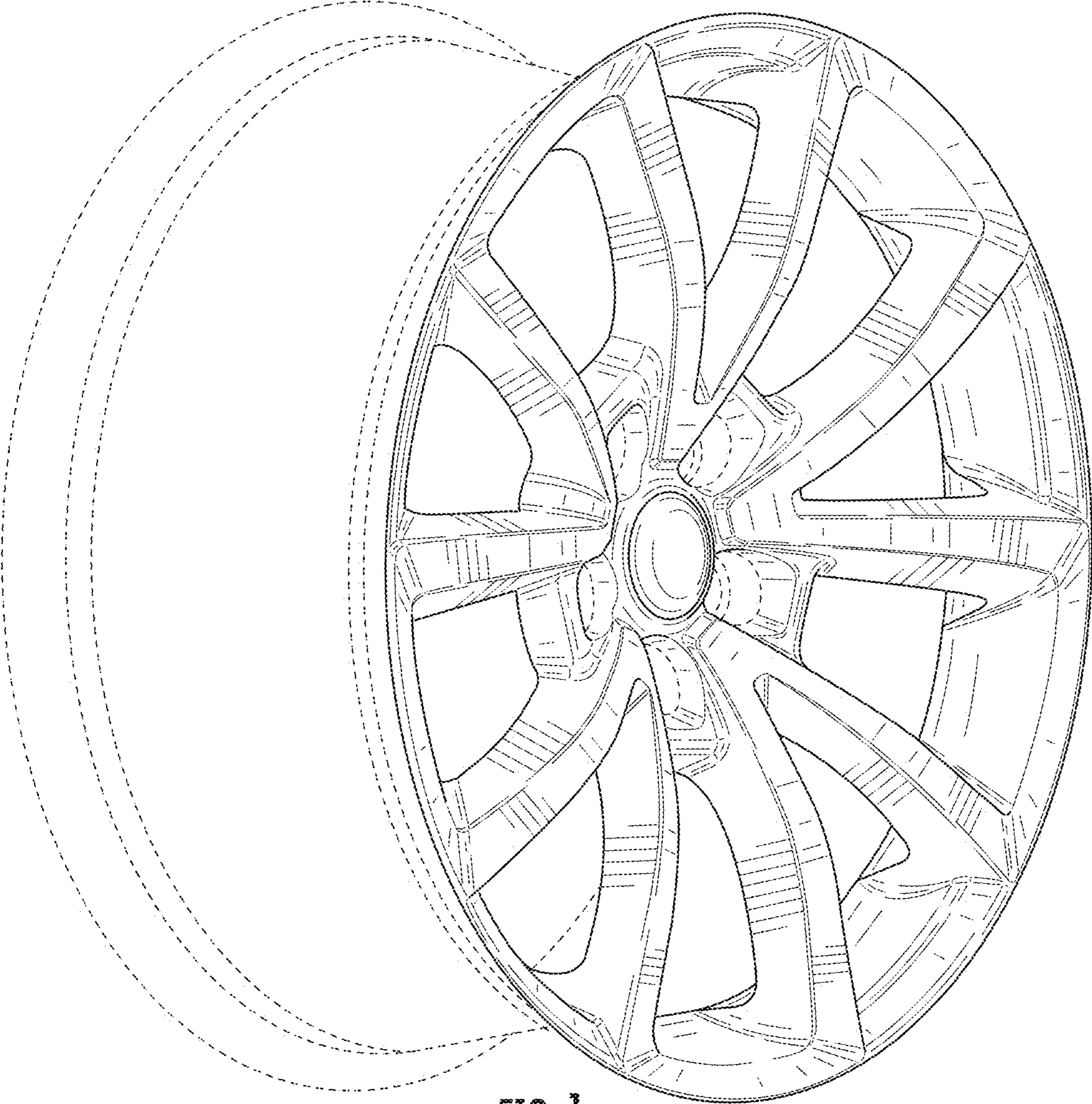


FIG. 1

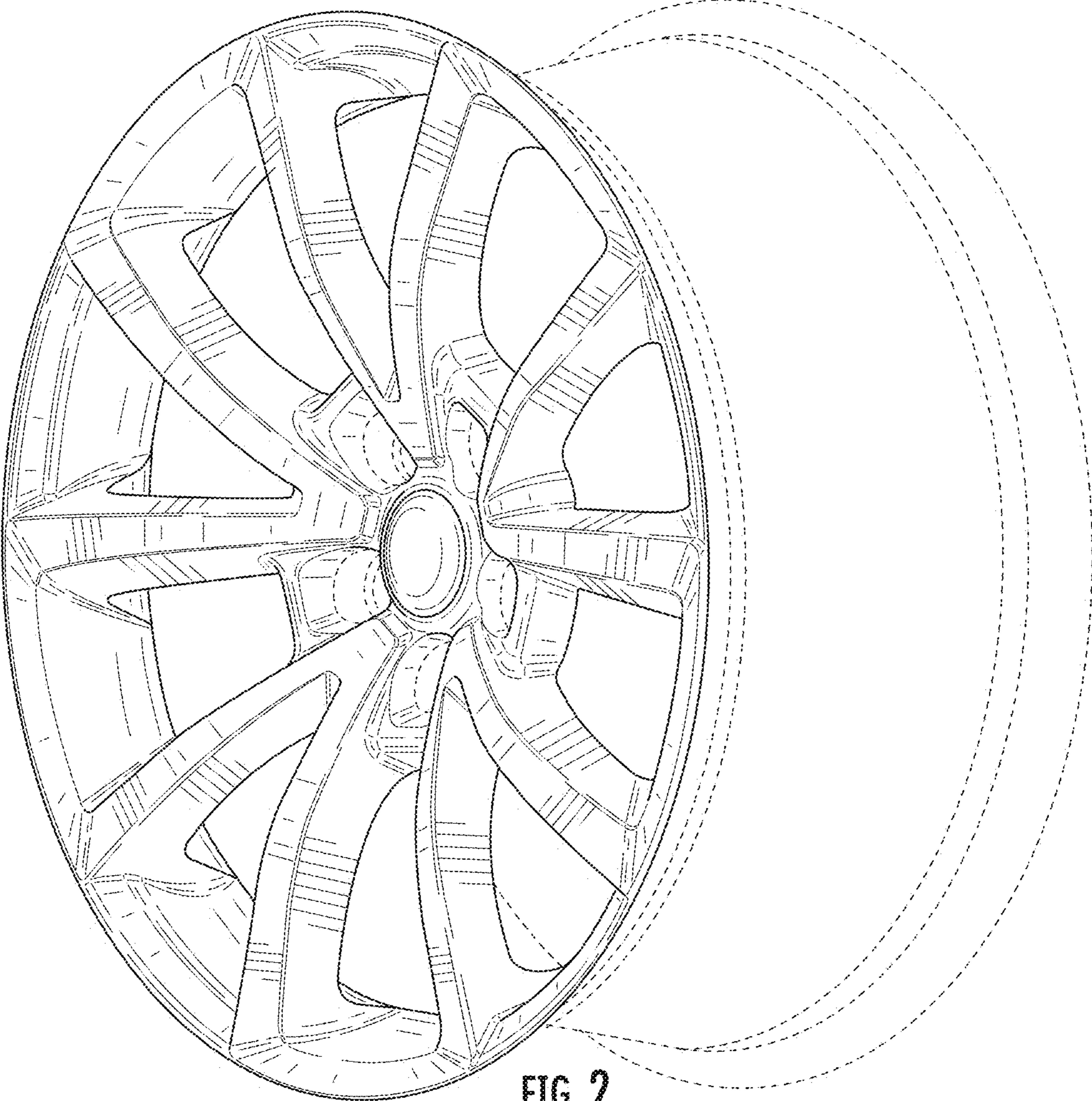


FIG. 2

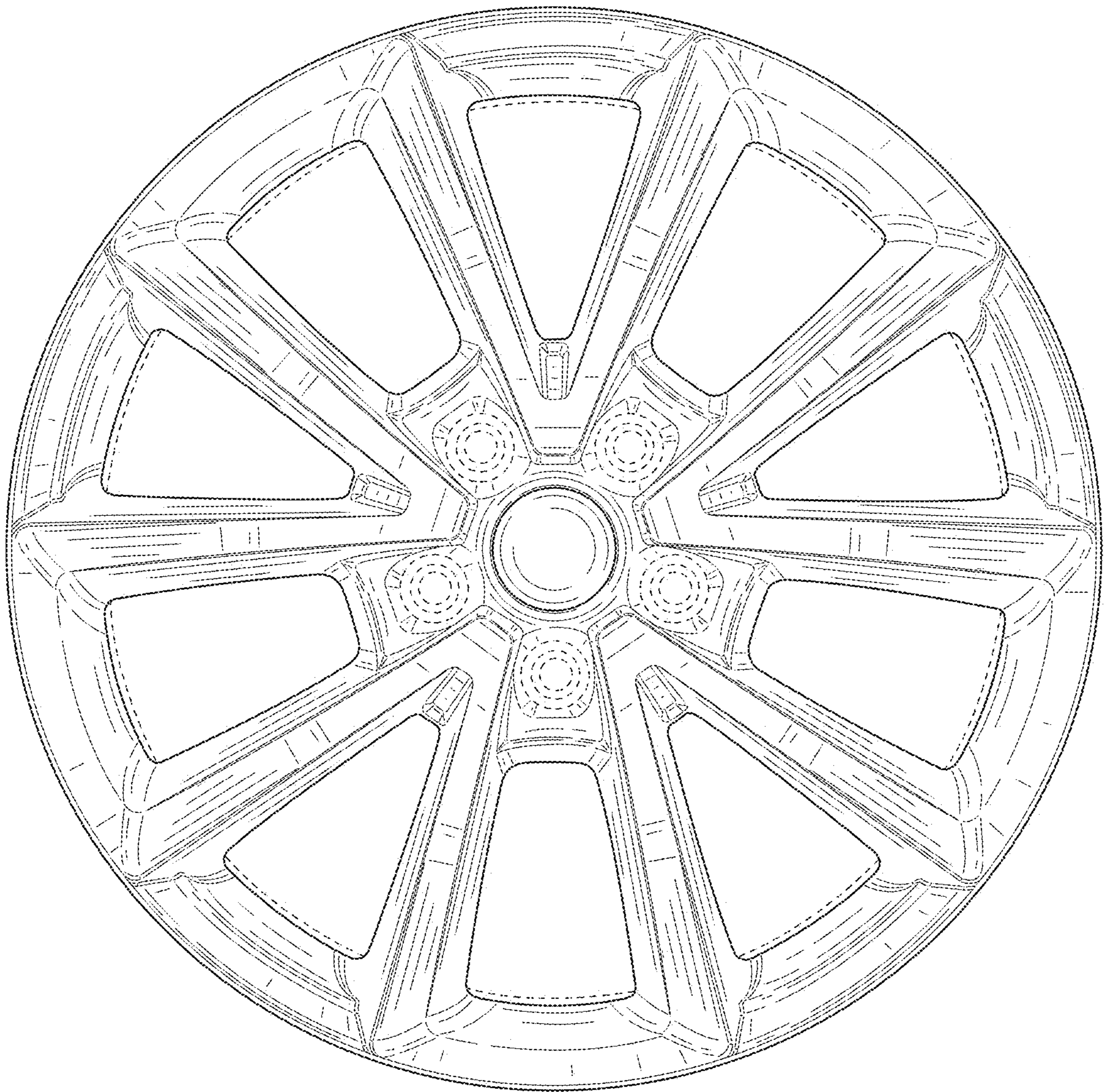


FIG. 3