



US00D897924S

(12) **United States Design Patent**  
**Arias**

(10) **Patent No.:** **US D897,924 S**

(45) **Date of Patent:** **\*\* Oct. 6, 2020**

(54) **WHEEL**

(71) Applicant: **Laura Arias**, Troy, MI (US)

(72) Inventor: **Laura Arias**, Troy, MI (US)

(73) Assignee: **FCA US LLC**, Auburn Hills, MI (US)

(\*\*) Term: **15 Years**

(21) Appl. No.: **29/694,077**

(22) Filed: **Jun. 7, 2019**

(51) **LOC (12) Cl.** ..... **12-16**

(52) **U.S. Cl.**  
USPC ..... **D12/209**

(58) **Field of Classification Search**  
USPC ..... D12/204-213; D21/563  
CPC .... B60B 7/00; B60B 7/02; B60B 7/04; B60B  
7/01; B60B 7/06; B60B 3/02; B60B 3/04;  
B60B 3/06; B60B 3/10; B60B 1/00;  
B60B 1/08; B60B 1/10; B60B 1/12  
See application file for complete search history.

(56) **References Cited**

**U.S. PATENT DOCUMENTS**

D606,921 S \* 12/2009 Thorsten ..... D12/211  
D734,704 S \* 7/2015 Juergens ..... D12/211

D750,543 S \* 3/2016 Behmer ..... D12/209  
D777,076 S \* 1/2017 Trpinac ..... D12/211  
D781,198 S \* 3/2017 Owens ..... D12/209  
D782,383 S \* 3/2017 Owens ..... D12/209  
D786,164 S \* 5/2017 Henderson ..... D12/211  
D792,303 S \* 7/2017 Chung ..... D12/209  
D810,646 S \* 2/2018 Heizmann ..... D12/209  
D825,426 S \* 8/2018 Myrberg ..... D12/209  
D853,931 S \* 7/2019 Khachatryan ..... D12/209  
D873,755 S \* 1/2020 Buck ..... D12/209  
D873,757 S \* 1/2020 Buckingham ..... D12/211  
D880,399 S \* 4/2020 Yoshida ..... D12/211  
D881,099 S \* 4/2020 Han ..... D12/209

\* cited by examiner

*Primary Examiner* — Stacia A Cadmus

(74) *Attorney, Agent, or Firm* — Ralph E. Smith

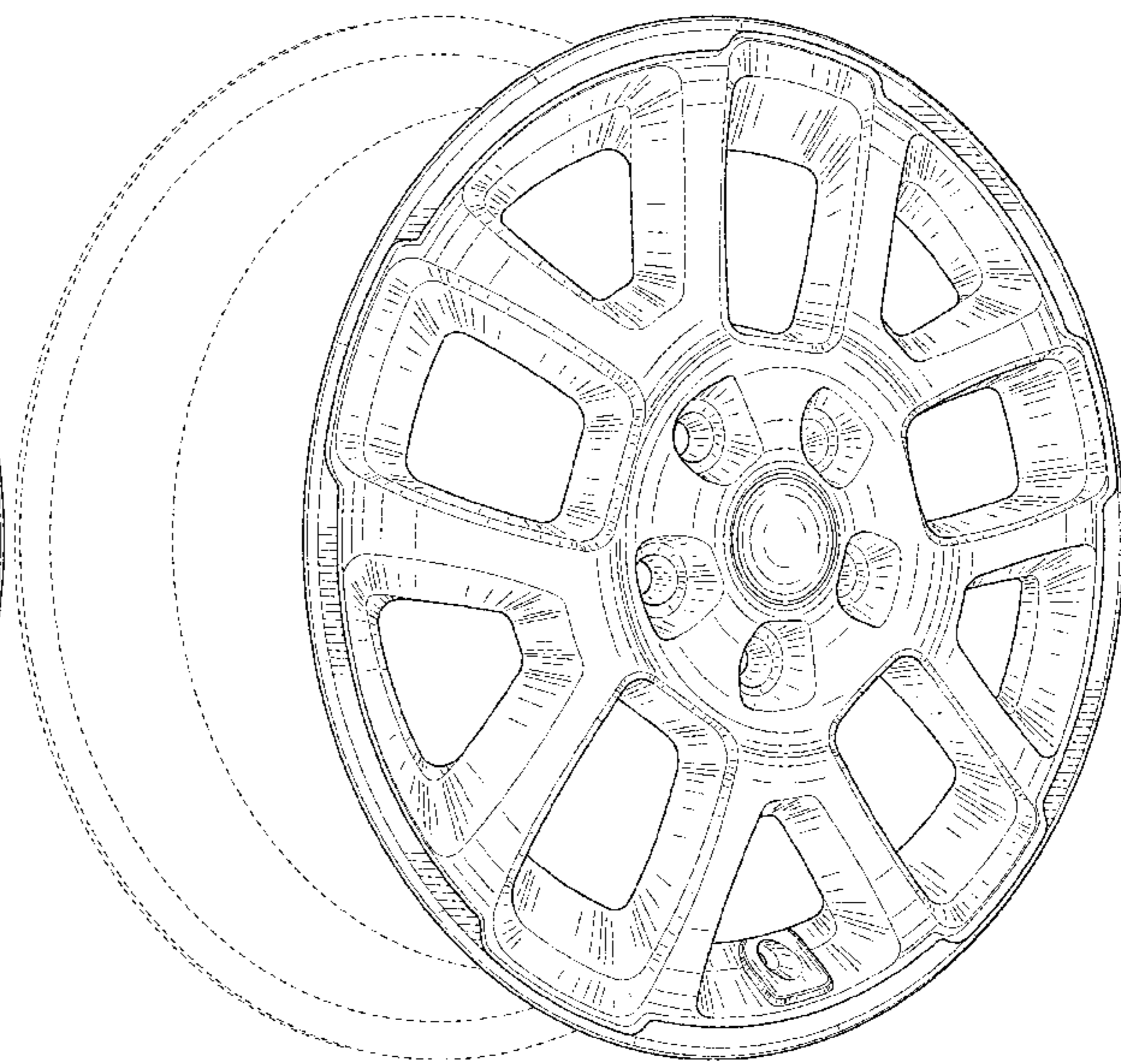
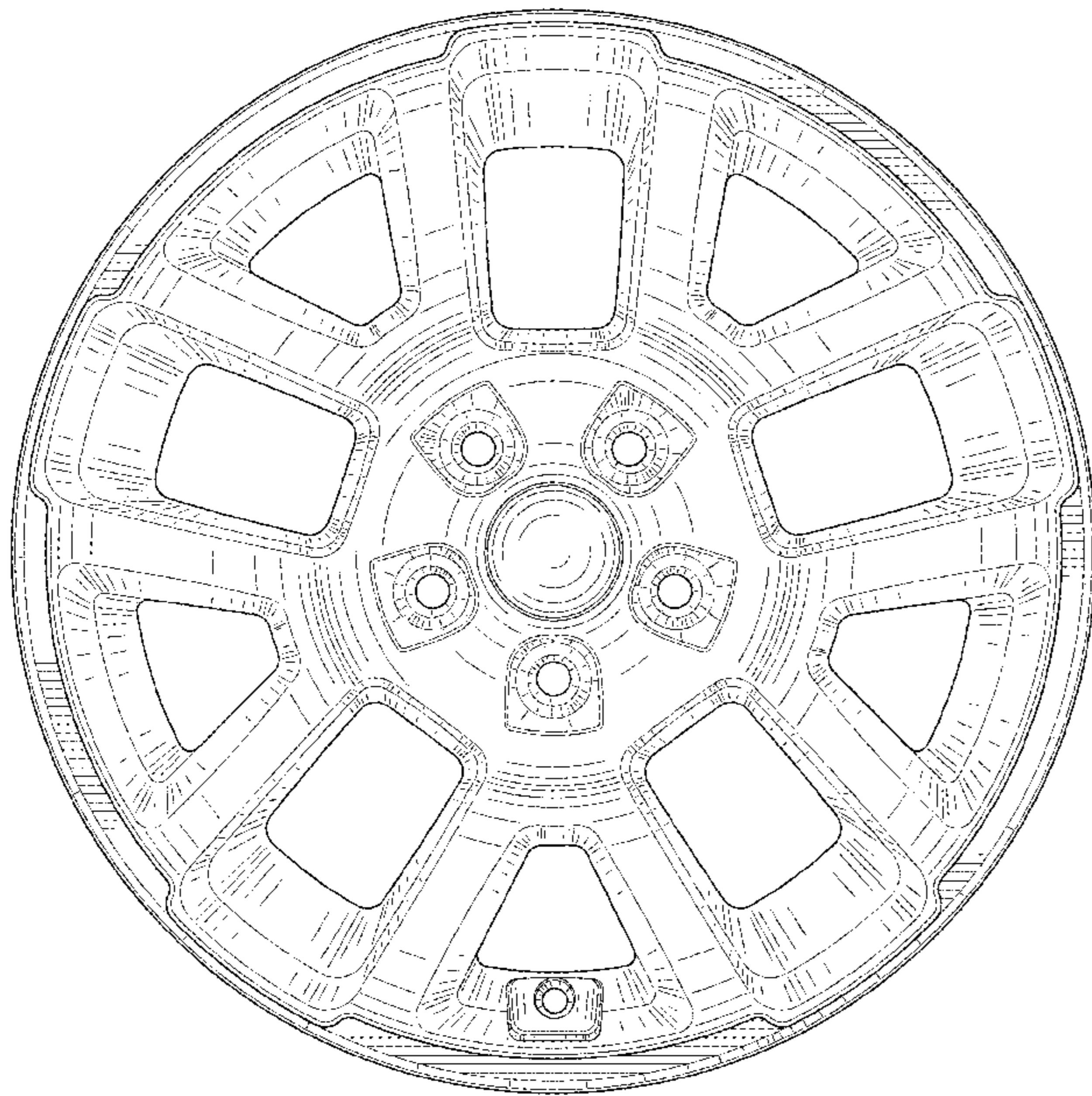
(57) **CLAIM**

The ornamental design for a wheel, as shown and described.

**DESCRIPTION**

FIG. 1 is a front view of a wheel showing my new design; FIG. 2 is a left perspective view thereof; and, FIG. 3 is a right perspective view thereof. It will be understood that the broken lines shown in the drawings illustrate portions of the wheel that form no part of the claimed design.

**1 Claim, 3 Drawing Sheets**



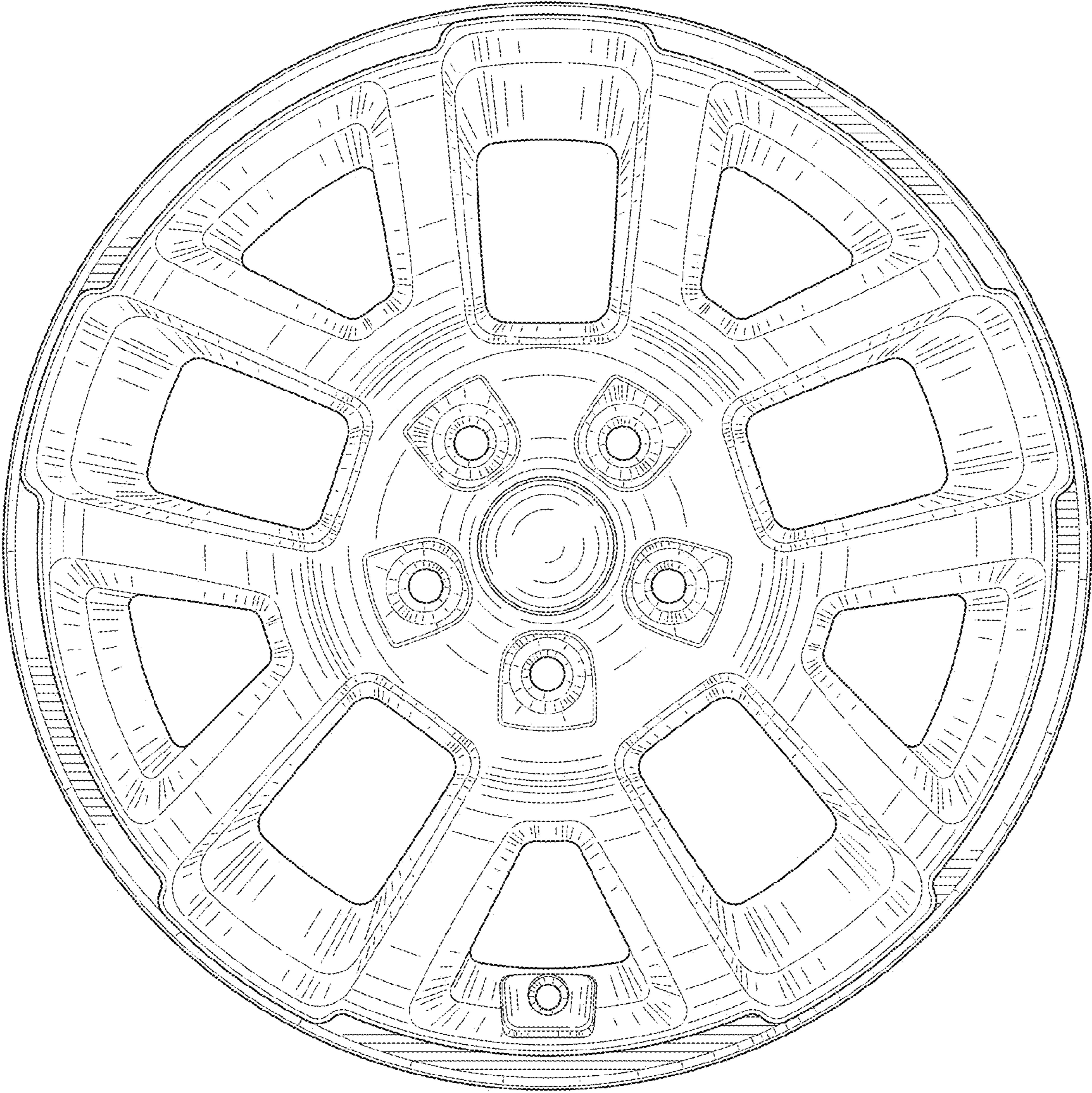


FIG. 1

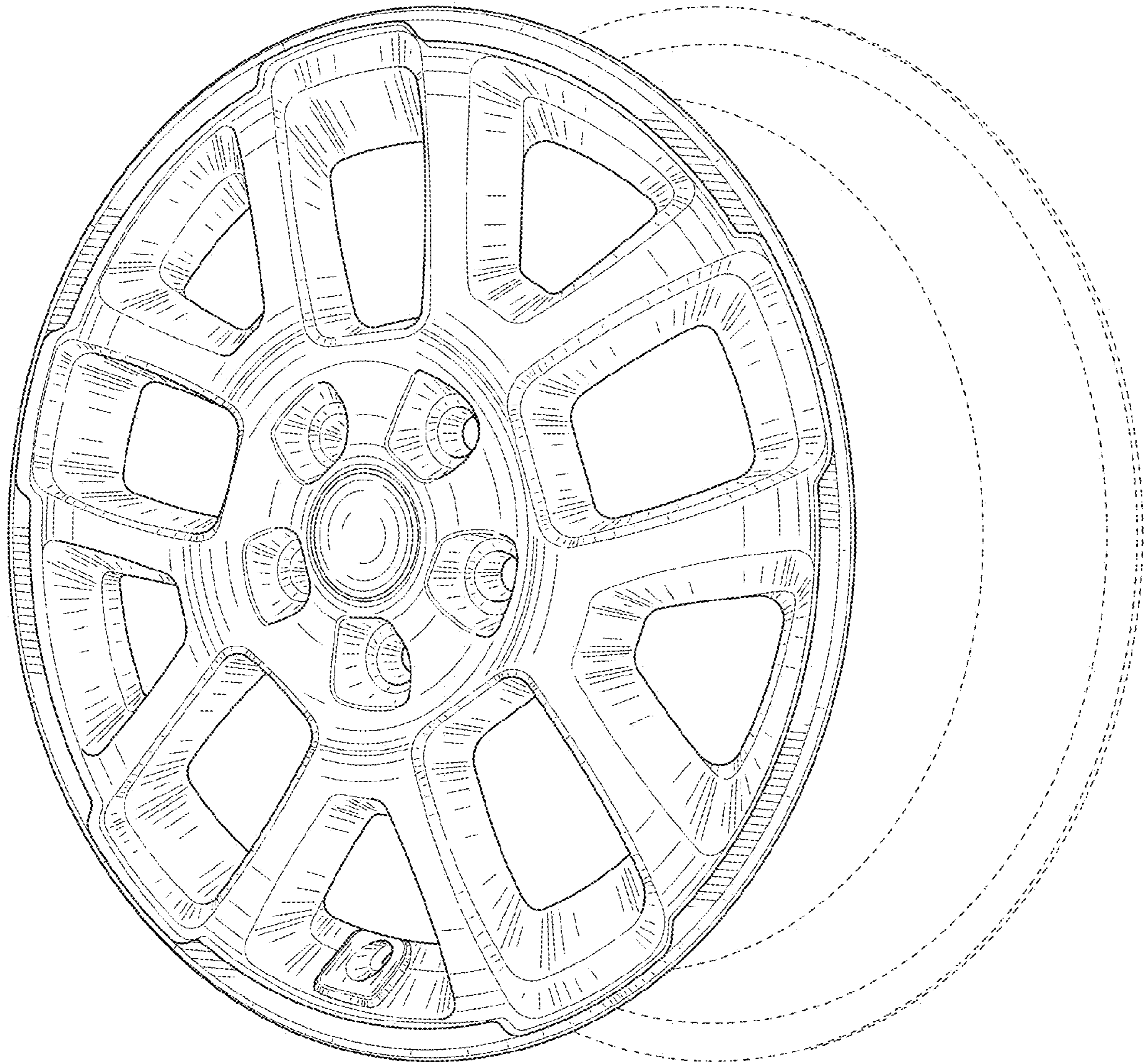


FIG. 2

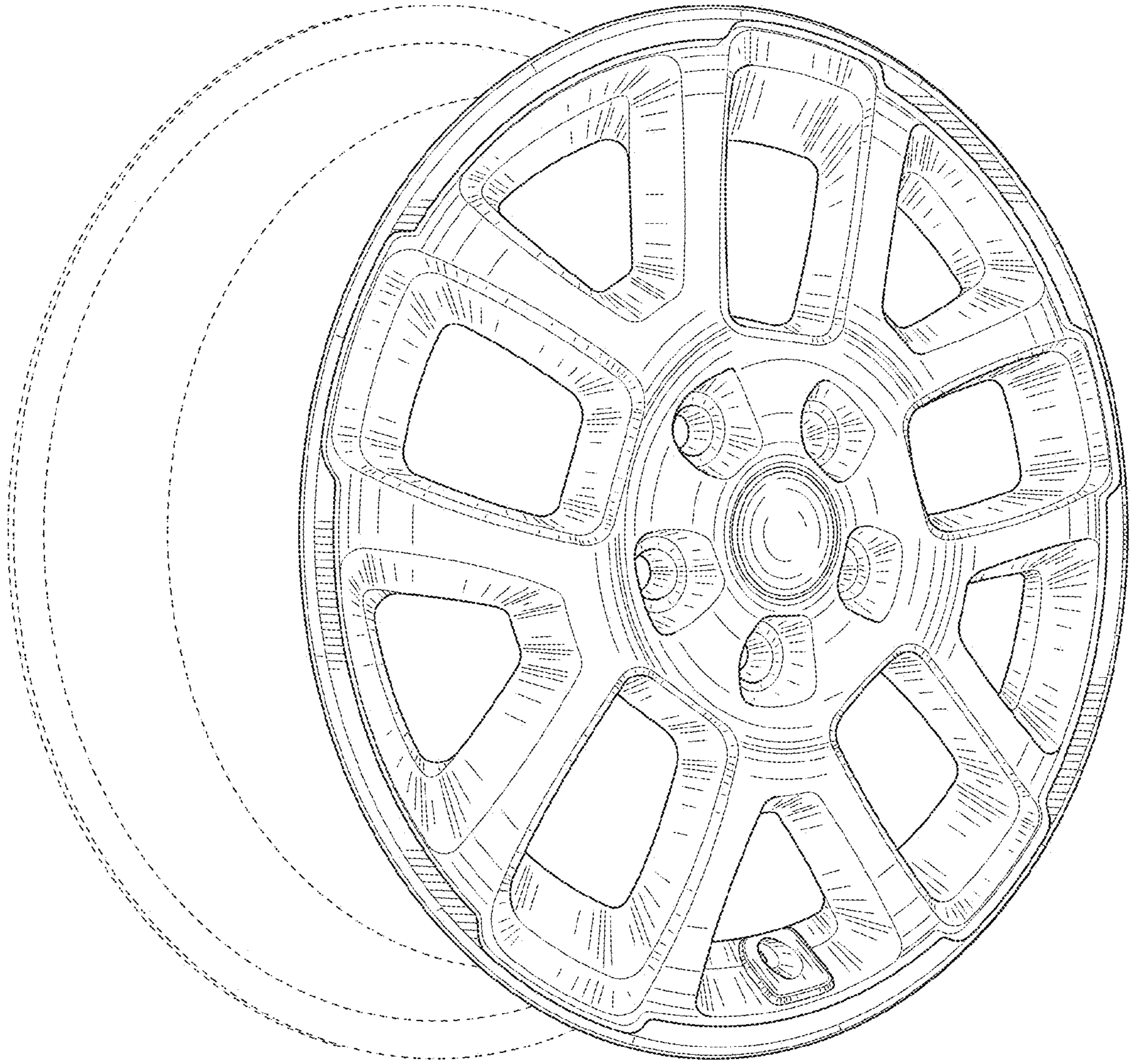


FIG. 3