



US00D897923S

(12) **United States Design Patent**
Piscitelli

(10) **Patent No.:** **US D897,923 S**

(45) **Date of Patent:** **** Oct. 6, 2020**

(54) **WHEEL**

(71) Applicant: **Christopher Piscitelli**, West
Bloomfield, MI (US)

(72) Inventor: **Christopher Piscitelli**, West
Bloomfield, MI (US)

(73) Assignee: **FCA US LLC**, Auburn Hills, MI (US)

(**) Term: **15 Years**

(21) Appl. No.: **29/694,074**

(22) Filed: **Jun. 7, 2019**

(51) **LOC (12) Cl.** **12-16**

(52) **U.S. Cl.**
USPC **D12/209**

(58) **Field of Classification Search**
USPC D12/204–213; D21/563
CPC B60B 7/00; B60B 7/02; B60B 7/04; B60B
7/01; B60B 7/06; B60B 3/02; B60B 3/04;
B60B 3/06; B60B 3/10; B60B 1/00;
B60B 1/08; B60B 1/10; B60B 1/12
See application file for complete search history.

(56) **References Cited**

U.S. PATENT DOCUMENTS

D538,215 S *	3/2007	Laengerer	D12/209
D541,204 S *	4/2007	Huet	D12/211
D544,426 S *	6/2007	Siler	D12/209
D586,281 S *	2/2009	Pfeiffer	D12/209
D589,423 S *	3/2009	Juergens	D12/209
D589,426 S *	3/2009	Yoon	D12/211
D593,477 S *	6/2009	Chen	D12/211
D620,868 S *	8/2010	Gallert	D12/211
D623,110 S *	9/2010	Juergens	D12/209

D627,698 S *	11/2010	Zhang	D12/209
D641,301 S *	7/2011	Hilpert	D12/211
D643,793 S *	8/2011	Juergens	D12/209
D662,868 S *	7/2012	Furst	D12/209
D664,910 S *	8/2012	Gallert	D12/211
D666,546 S *	9/2012	Juergens	D12/209
D667,355 S *	9/2012	Gotschke	D12/209
D690,248 S *	9/2013	Bildhaeuser	D12/209
D725,571 S *	3/2015	Kobayashi	D12/211
D744,399 S *	12/2015	Juergens	D12/209
D763,762 S *	8/2016	Ghobrial	D12/209
D766,806 S *	9/2016	Tannen	D12/211
D772,133 S *	11/2016	Stone	D12/211
D783,489 S *	4/2017	Bucher	D12/209
D784,236 S *	4/2017	Platto	D12/211
D787,406 S *	5/2017	Piscitelli	D12/209
D792,307 S *	7/2017	Macey	D12/209
D792,313 S *	7/2017	Langhals	D12/211
D840,315 S *	2/2019	Kikuchi	D12/209
D847,062 S *	4/2019	Rolfs	D12/209
D850,350 S *	6/2019	Tran	D12/211
D859,276 S *	9/2019	Valencia Pollex	D12/211

* cited by examiner

Primary Examiner — Stacia A Cadmus

(74) *Attorney, Agent, or Firm* — Ralph E. Smith

(57) **CLAIM**

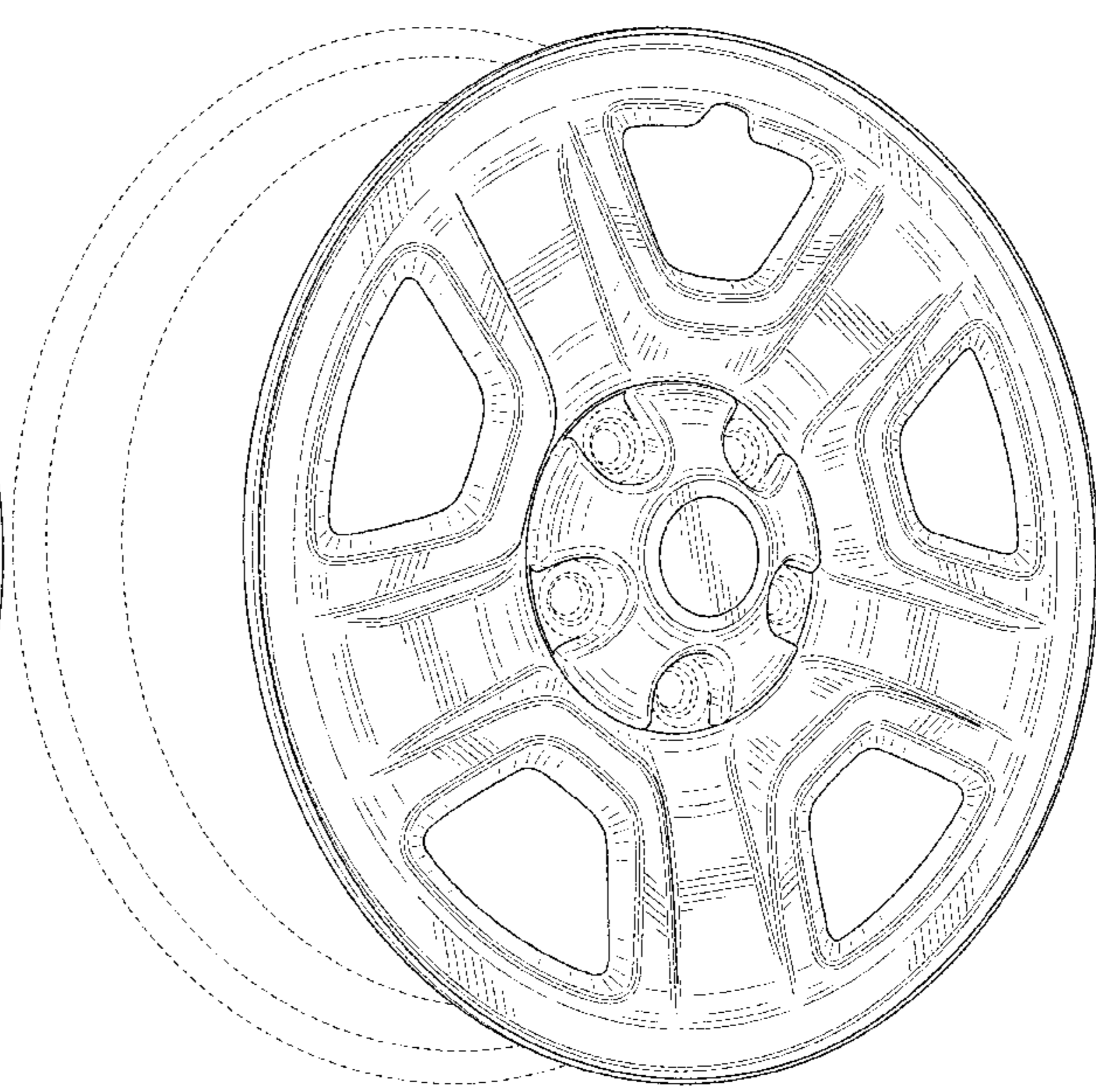
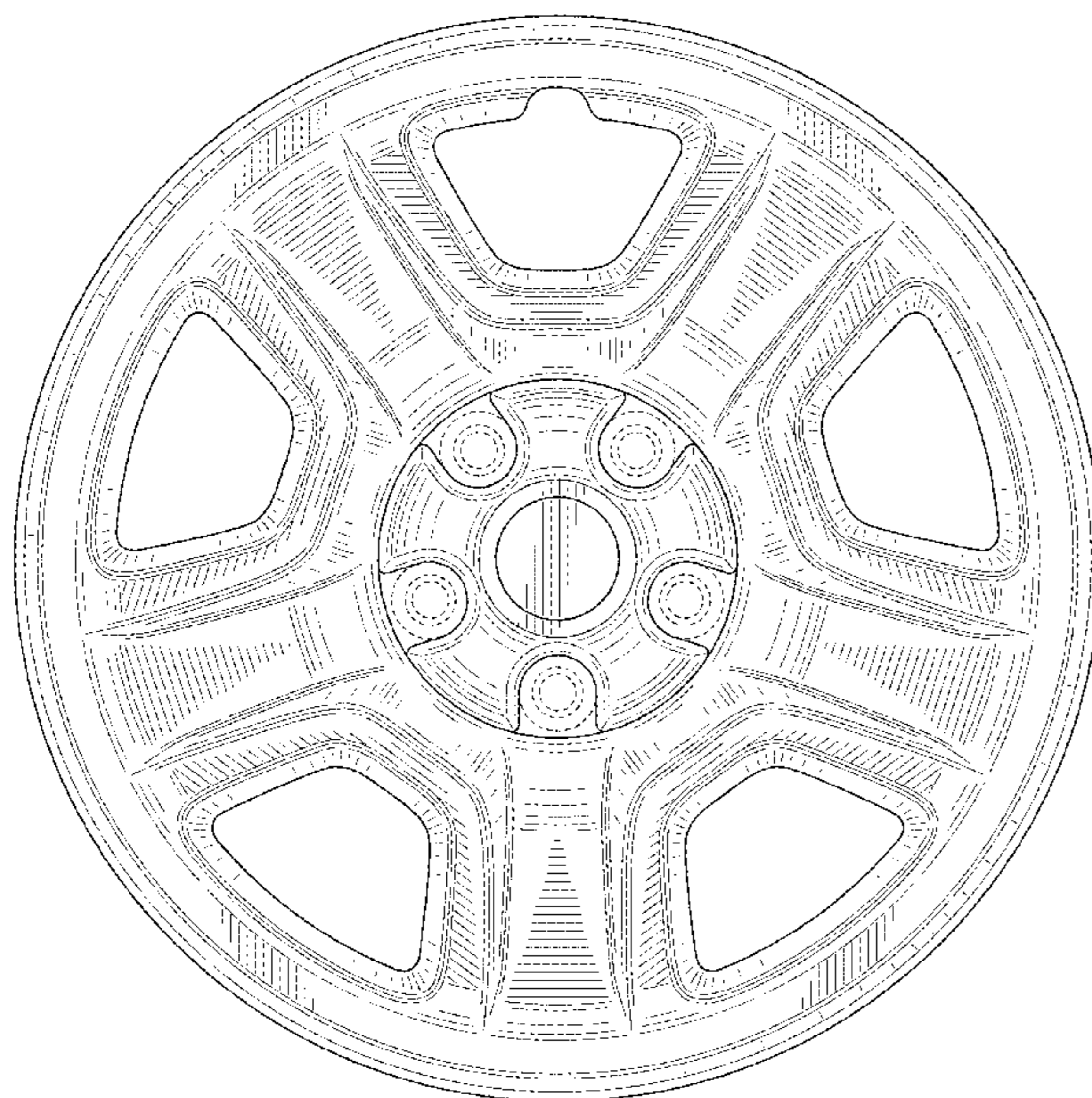
The ornamental design for a wheel, as shown and described.

DESCRIPTION

FIG. 1 is a front view of a wheel showing my new design; FIG. 2 is a left perspective view thereof; and, FIG. 3 is a right perspective view thereof.

It will be understood that the broken lines shown in the drawings illustrate portions of the wheel that form no part of the claimed design.

1 Claim, 3 Drawing Sheets



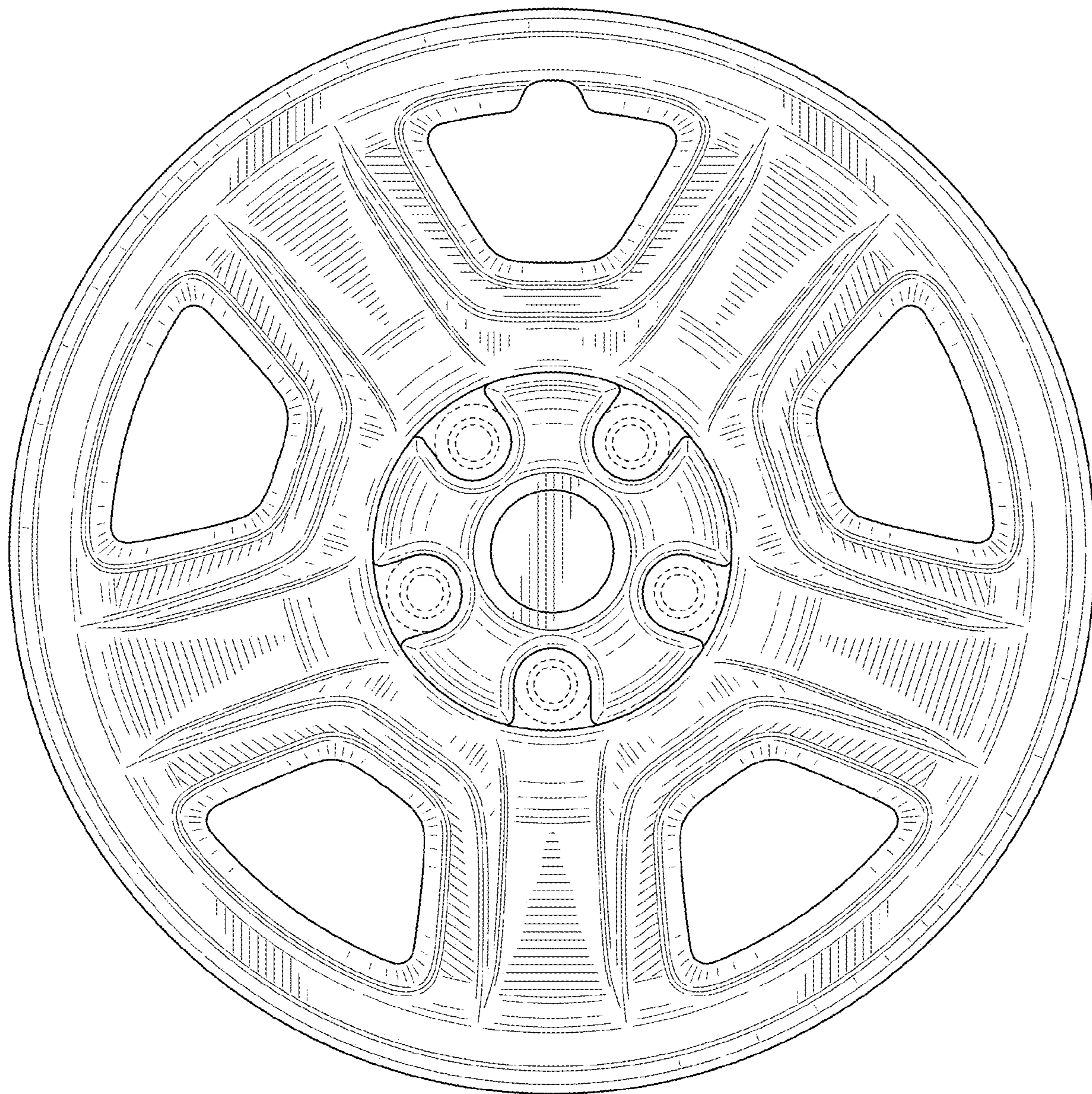


FIG. 1

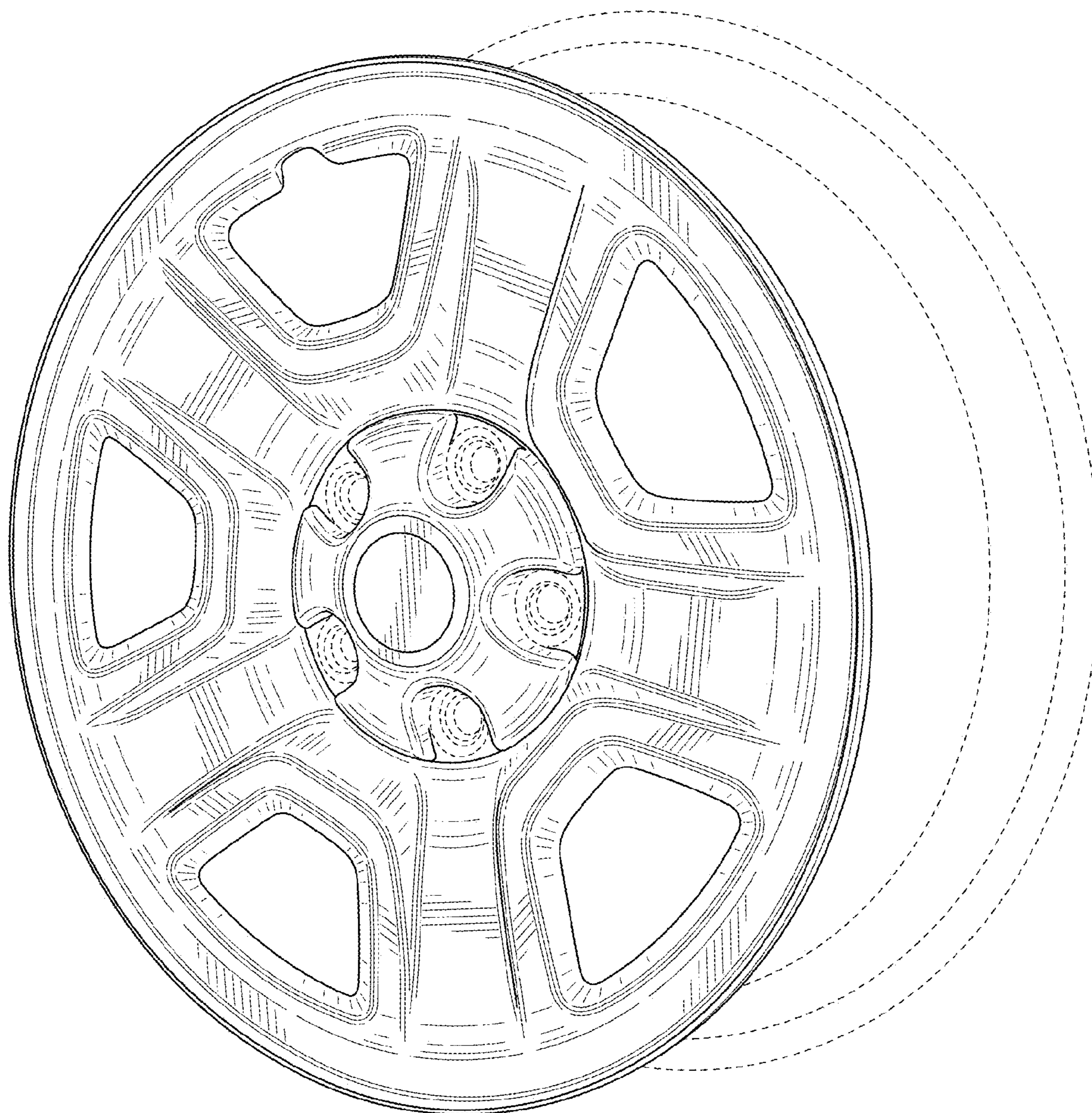


FIG. 2

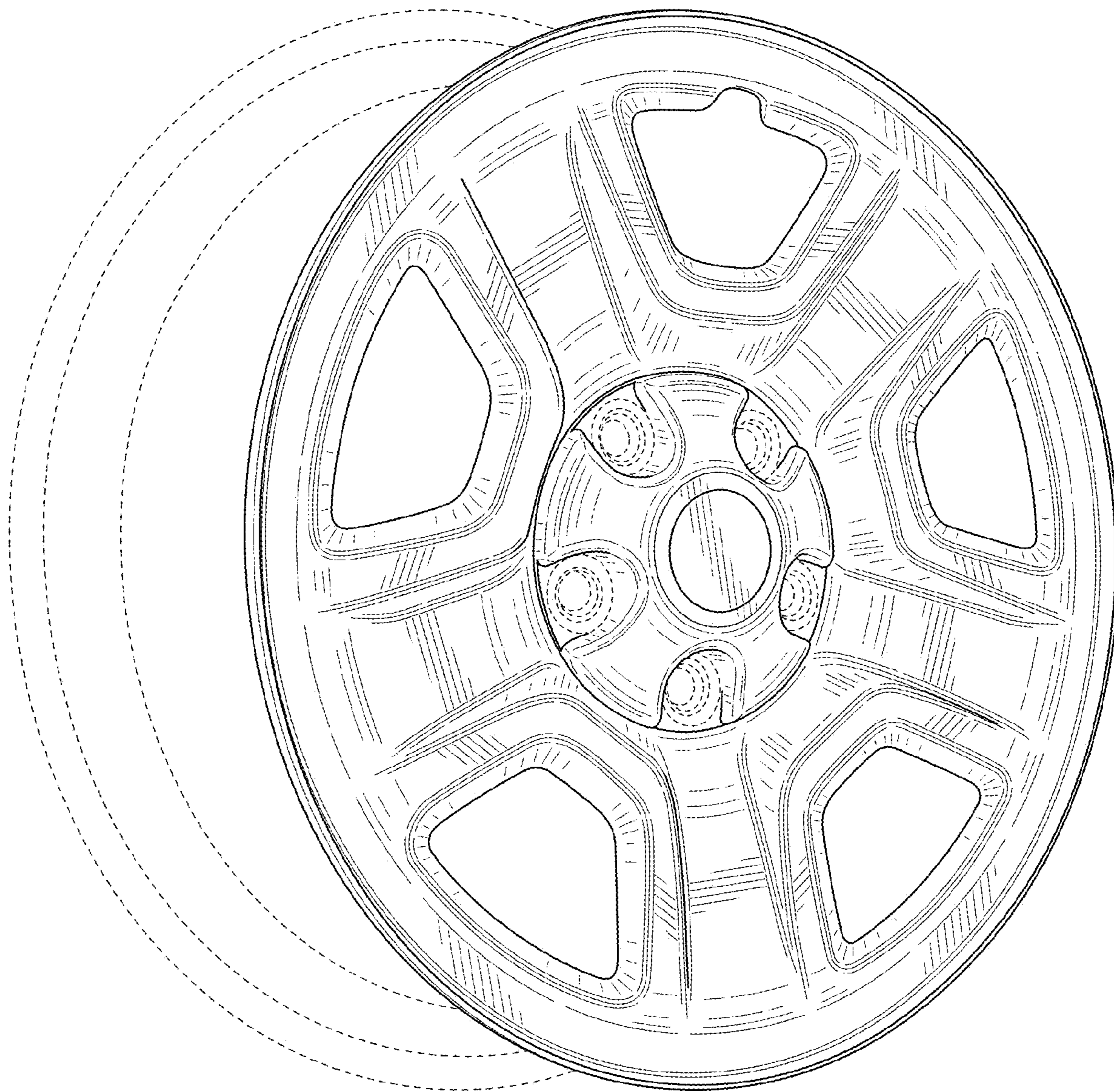


FIG. 3