



US00D897921S

(12) **United States Design Patent**
Kafantaris

(10) **Patent No.:** **US D897,921 S**

(45) **Date of Patent:** **** Oct. 6, 2020**

(54) **WHEEL**

(71) Applicant: **Constantine E. Kafantaris**, Orange,
CA (US)

(72) Inventor: **Constantine E. Kafantaris**, Orange,
CA (US)

(**) Term: **15 Years**

(21) Appl. No.: **29/681,034**

(22) Filed: **Feb. 21, 2019**

(51) **LOC (12) Cl.** **12-16**

(52) **U.S. Cl.**
USPC **D12/209**

(58) **Field of Classification Search**
USPC D12/204-213; D21/563
CPC B60B 7/00; B60B 7/02; B60B 7/04; B60B
7/01; B60B 7/06; B60B 3/02; B60B 3/04;
B60B 3/06; B60B 3/10; B60B 1/00;
B60B 1/08; B60B 1/10; B60B 1/12
See application file for complete search history.

(56) **References Cited**

U.S. PATENT DOCUMENTS

D513,218 S * 12/2005 Fitzgerald D12/209
D788,670 S * 6/2017 Chung D12/209

D828,802 S * 9/2018 McMath D12/211
D843,911 S * 3/2019 Hans D12/209
D845,204 S * 4/2019 Hilpert D12/211
D845,861 S * 4/2019 Tran D12/209
D856,893 S * 8/2019 Ramthun D12/209
D871,993 S * 1/2020 Swygert D12/209
D871,999 S * 1/2020 Hale, Jr. D12/213
D877,017 S * 3/2020 Baum D12/209

* cited by examiner

Primary Examiner — Stacia A Cadmus

(74) *Attorney, Agent, or Firm* — Kafantaris Law Offices;
Theo Kafantaris

(57) **CLAIM**

The ornamental design for a wheel, as shown and described.

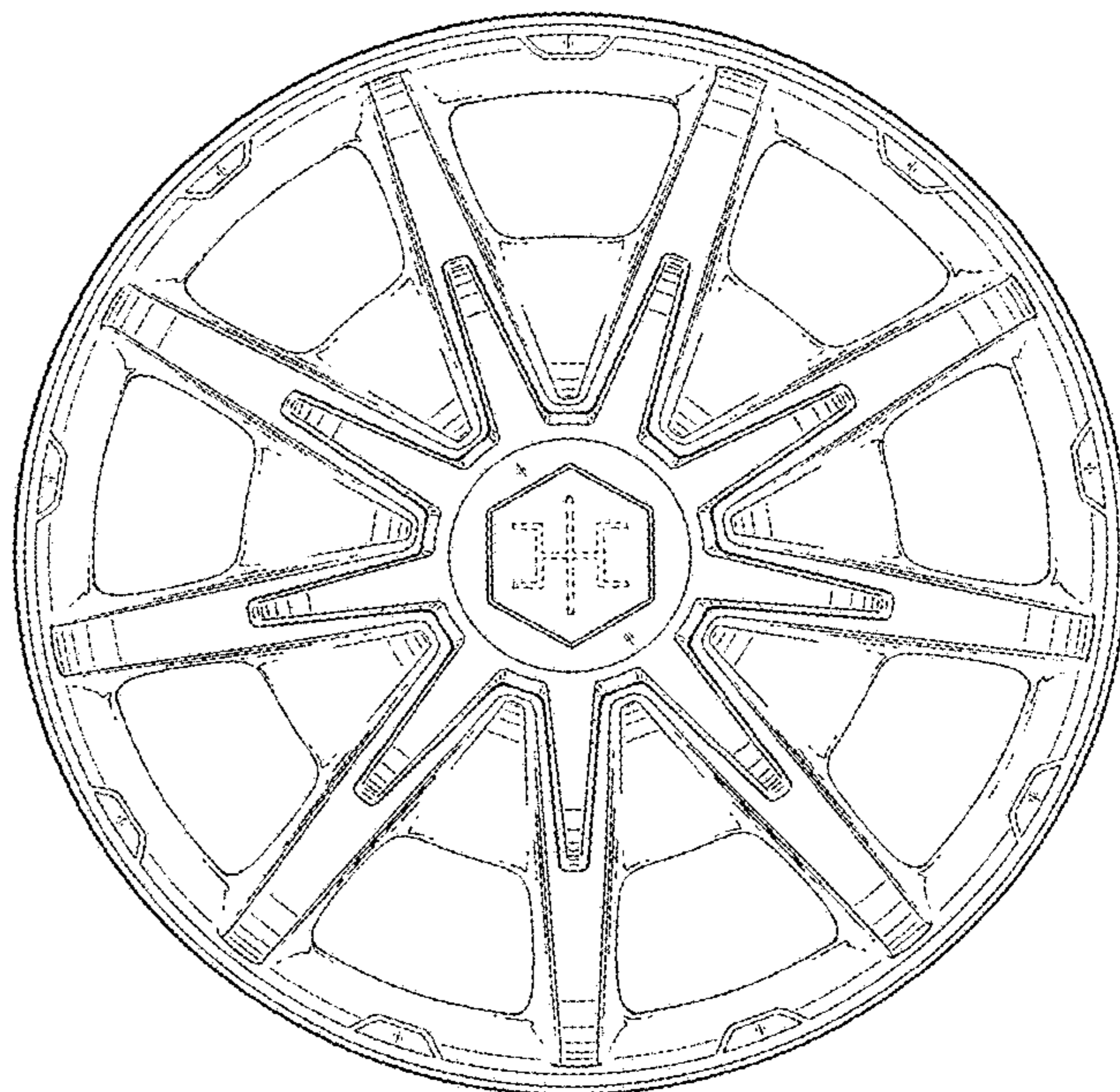
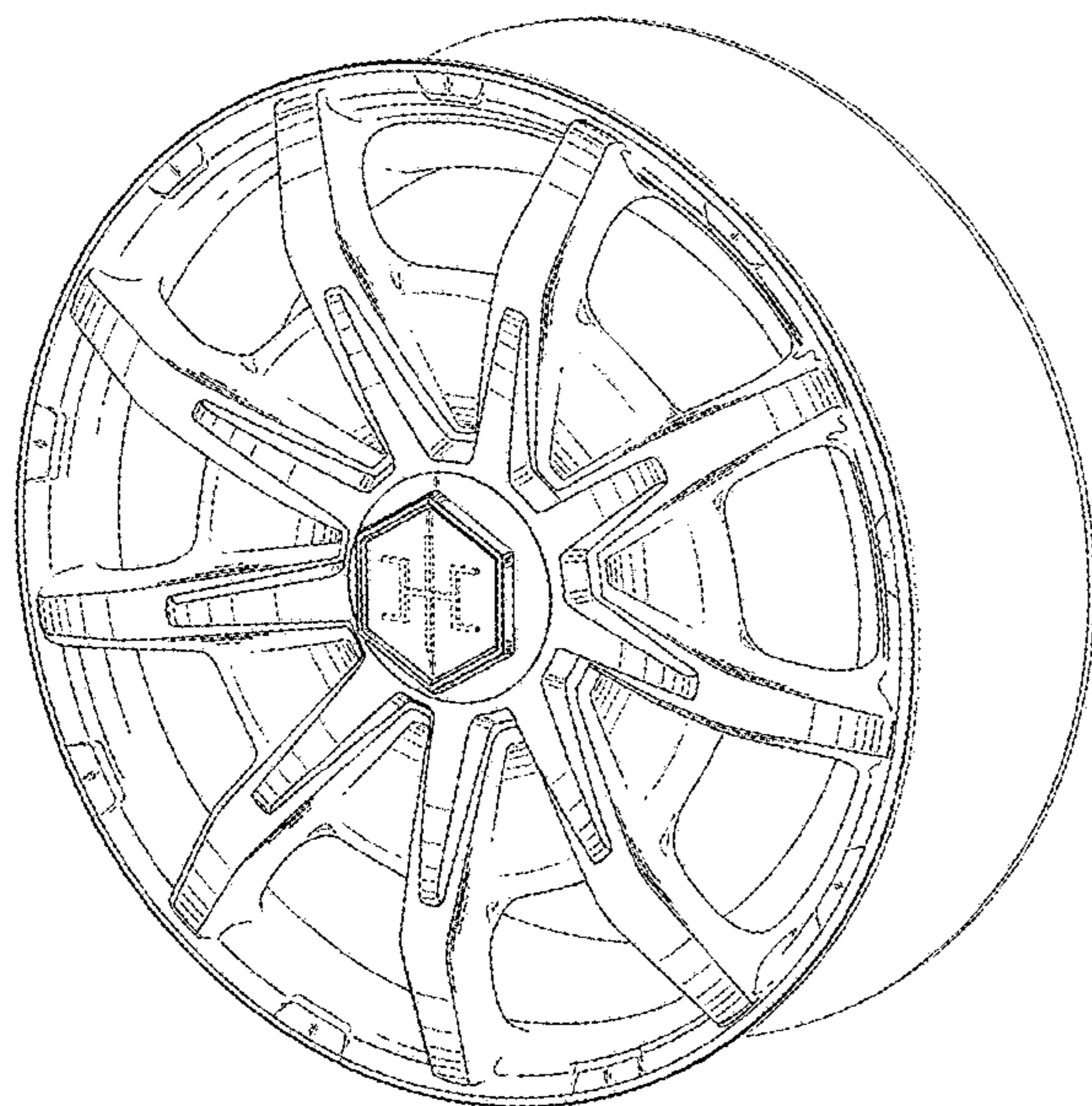
DESCRIPTION

FIG. 1 is a front perspective view of the wheel showing my
new design; and,

FIG. 2 is a front elevational view thereof.

In the drawings, the broken lines depict environmental
subject matter and form no part of the claimed design.

1 Claim, 2 Drawing Sheets



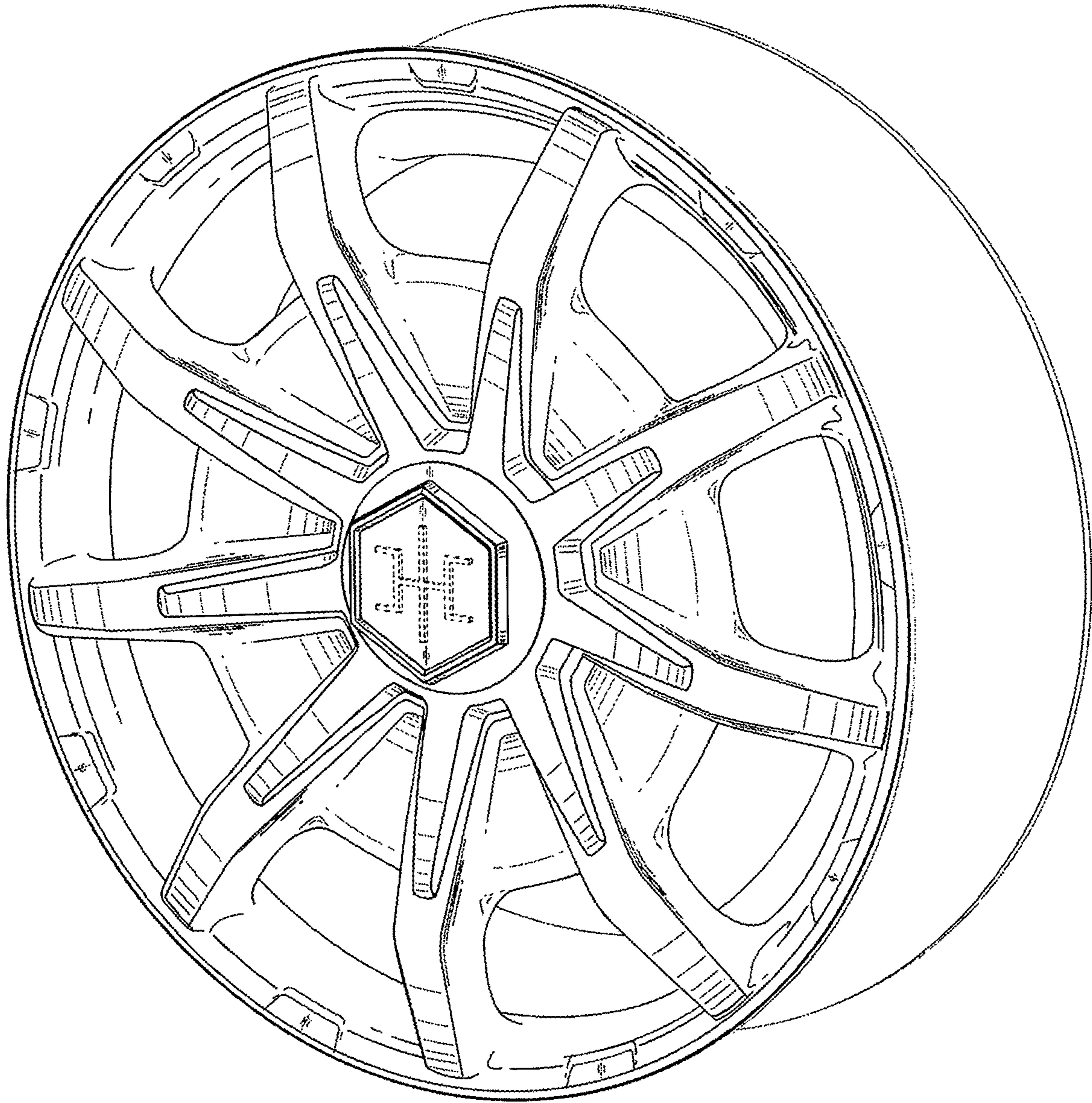


FIG 1

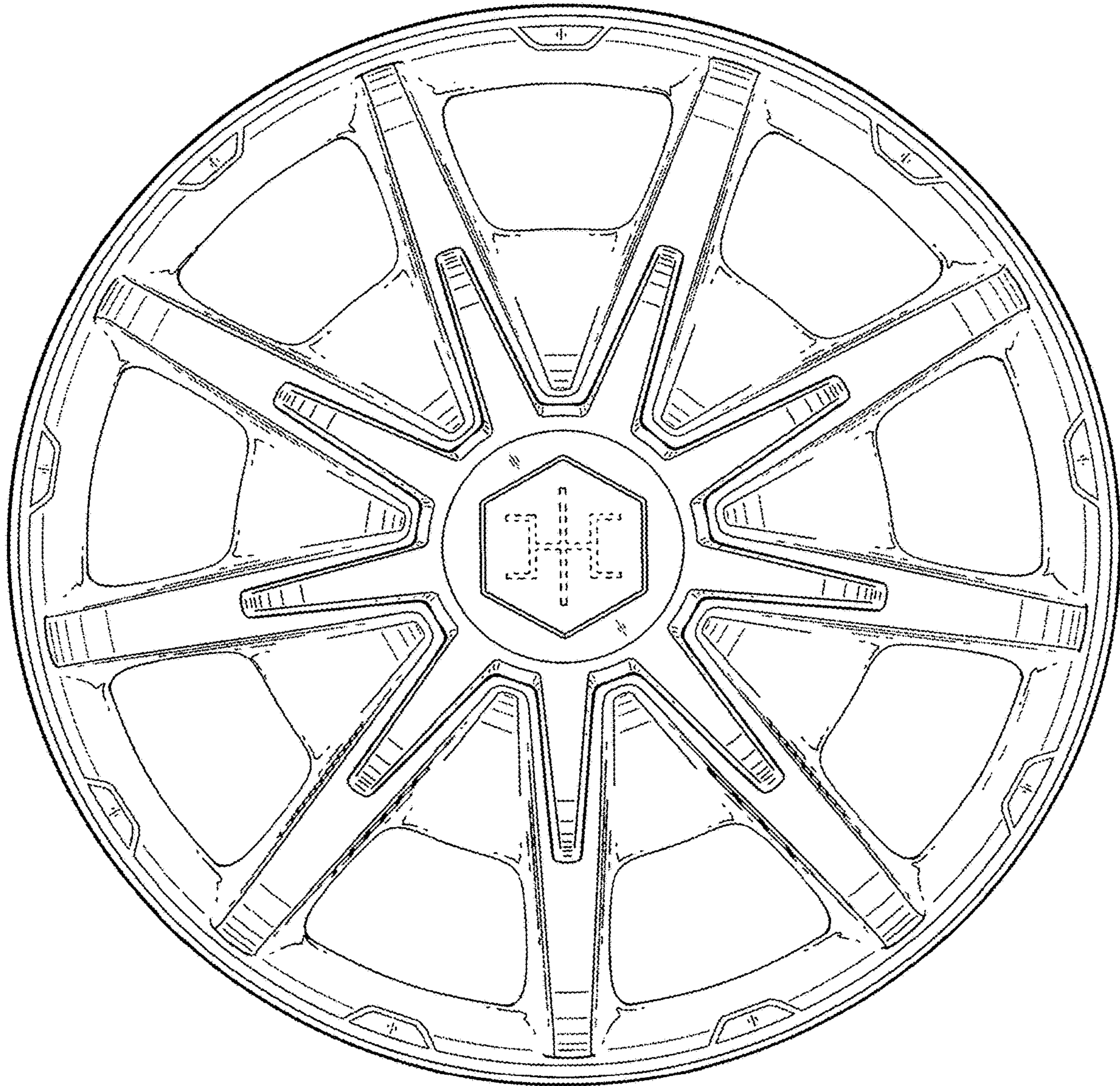


FIG 2