

US00D897920S

(12) **United States Design Patent**
Hoste et al.

(10) **Patent No.:** **US D897,920 S**

(45) **Date of Patent:** **** Oct. 6, 2020**

(54) **WHEEL**

(71) Applicants: **Paul Hoste**, New Hudson, MI (US);
Irina Zavatski, Rochester Hills, MI
(US); **Mark T. Allen**, Oxford, MI (US)

(72) Inventors: **Paul Hoste**, New Hudson, MI (US);
Irina Zavatski, Rochester Hills, MI
(US); **Mark T. Allen**, Oxford, MI (US)

(73) Assignee: **FCA US LLC**, Auburn Hills, MI (US)

(**) Term: **15 Years**

(21) Appl. No.: **29/679,550**

(22) Filed: **Feb. 7, 2019**

(51) **LOC (12) Cl.** **12-16**

(52) **U.S. Cl.**
USPC **D12/209**

(58) **Field of Classification Search**
USPC D12/204–213; D21/563
CPC B60B 7/00; B60B 7/02; B60B 7/04; B60B
7/01; B60B 7/06; B60B 3/02; B60B 3/04;
B60B 3/06; B60B 3/10; B60B 1/00;
B60B 1/08; B60B 1/10; B60B 1/12
See application file for complete search history.

(56) **References Cited**

U.S. PATENT DOCUMENTS

D584,672 S * 1/2009 Osborne D12/209
D601,074 S * 9/2009 Buschmann D12/209

D635,904 S * 4/2011 Futschik D12/209
D651,960 S * 1/2012 Sahara D12/209
D671,059 S * 11/2012 Pollmann D12/209
D755,691 S * 5/2016 Gardavsky D12/209
D781,766 S * 3/2017 Galante D12/209
D800,044 S * 10/2017 Ghobrial D12/209
D808,324 S * 1/2018 Ninov D12/211
D851,006 S * 6/2019 Hans D12/209
D853,300 S * 7/2019 Anton D12/209
D865,627 S * 11/2019 Chi D12/209
D883,170 S * 5/2020 Tian D12/209

* cited by examiner

Primary Examiner — Stacia A Cadmus

(74) *Attorney, Agent, or Firm* — Ralph E. Smith

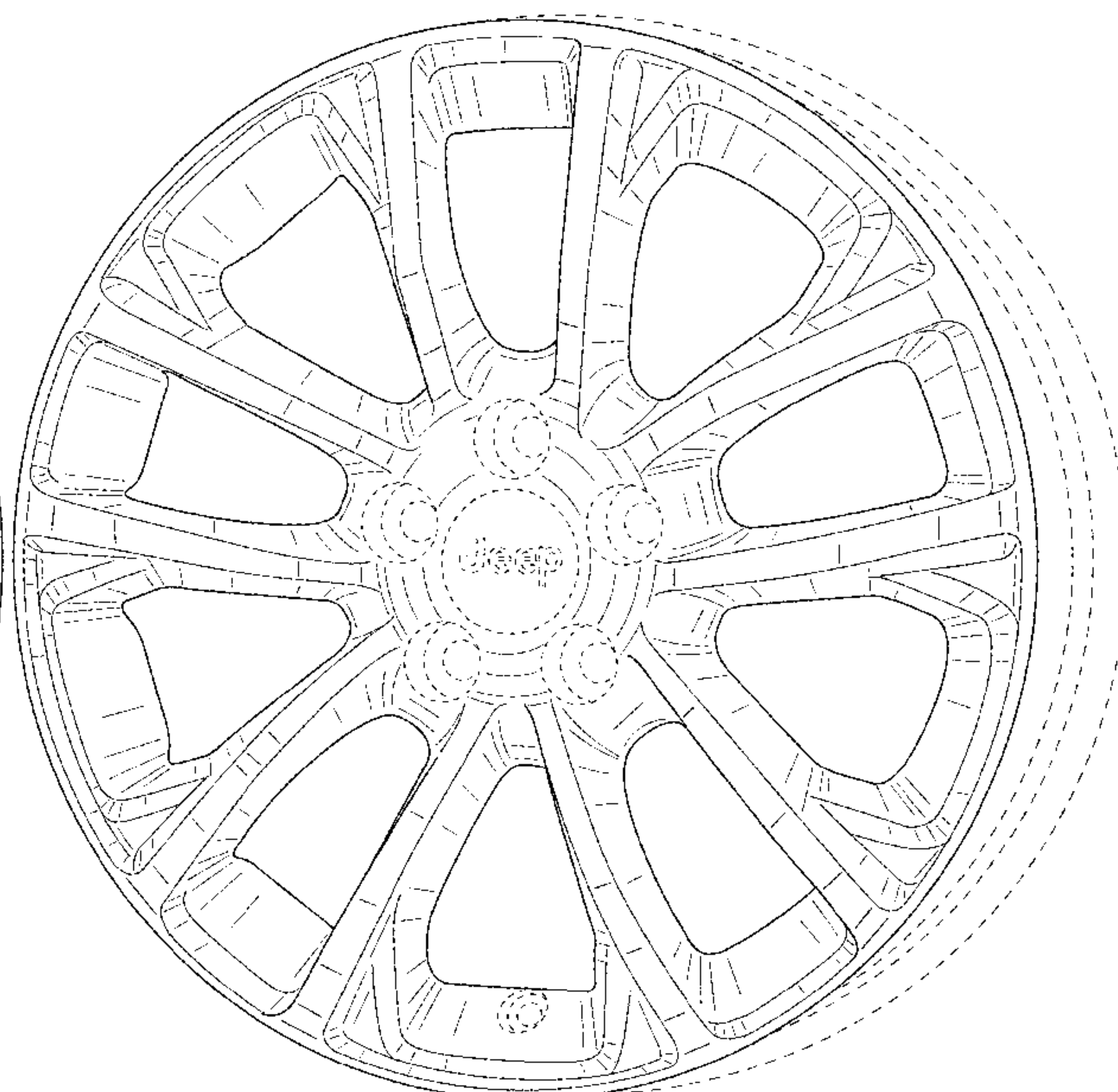
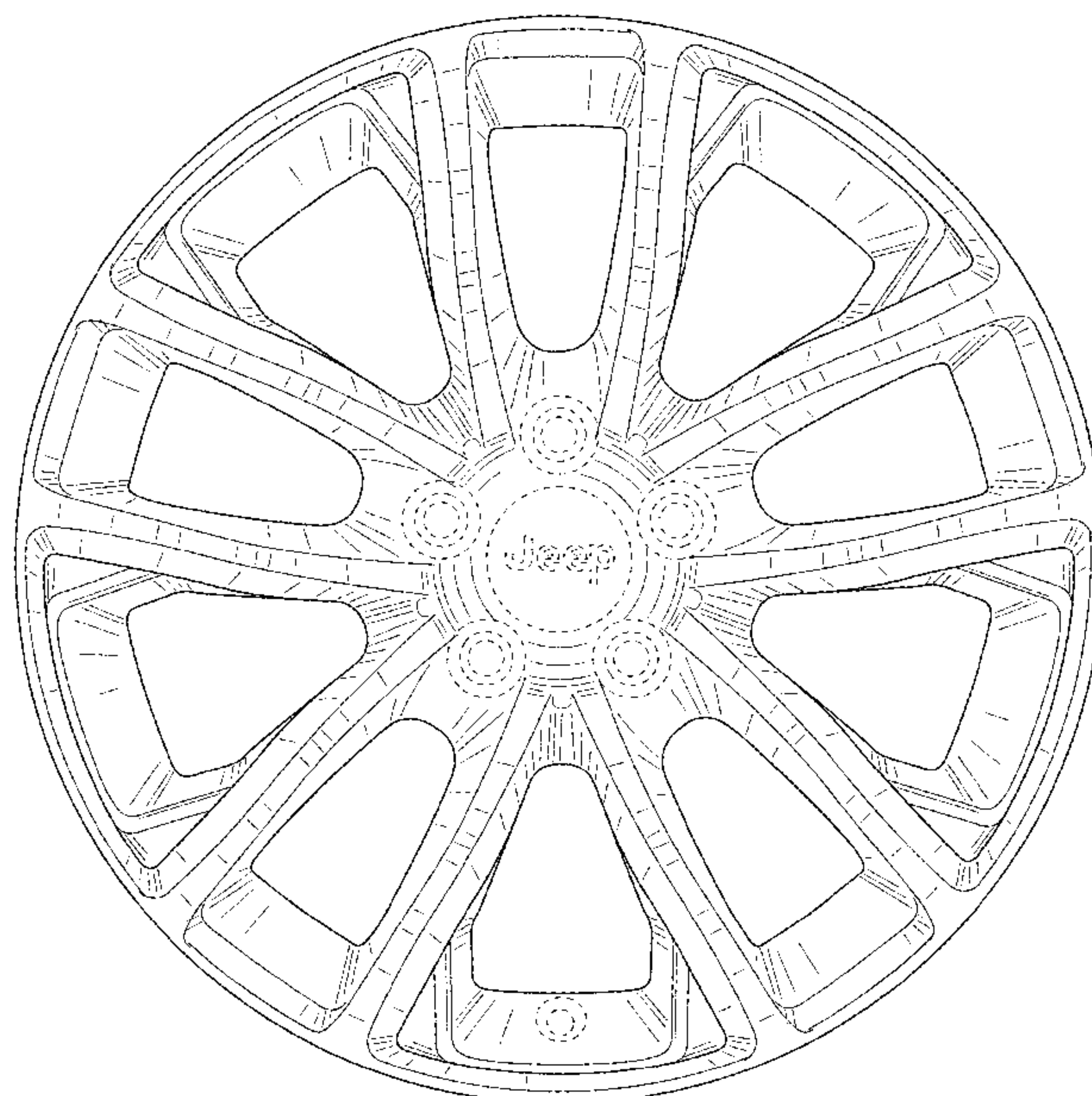
(57) **CLAIM**

The ornamental design for a wheel, as shown and described.

DESCRIPTION

FIG. 1 is a front view of a wheel showing our new design; FIG. 2 is a right perspective view thereof; and, FIG. 3 is a left perspective view thereof. It will be understood that the broken lines shown in the drawings illustrate portions of the wheel that form no part of the claimed design.

1 Claim, 3 Drawing Sheets



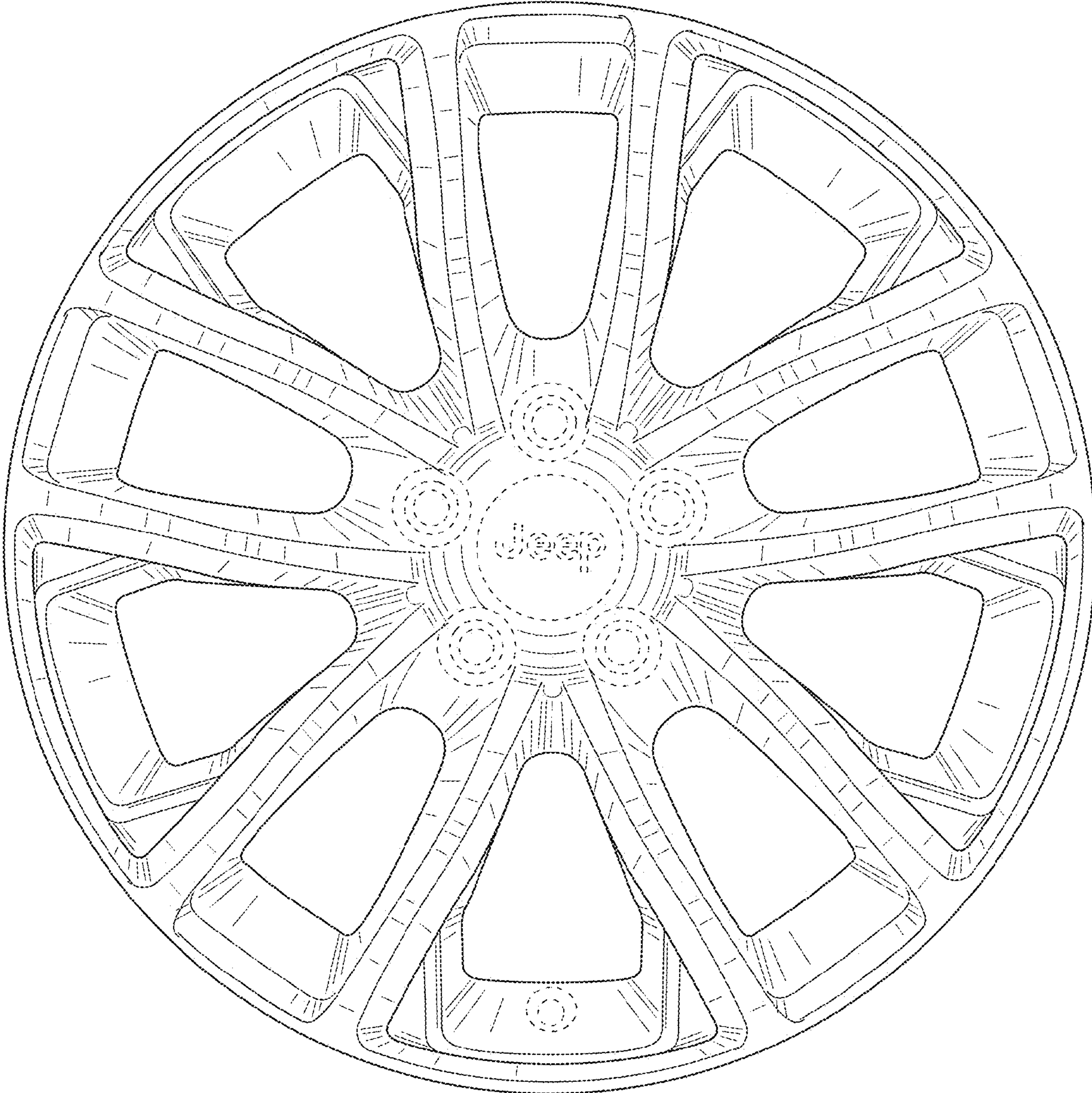


FIG. 1

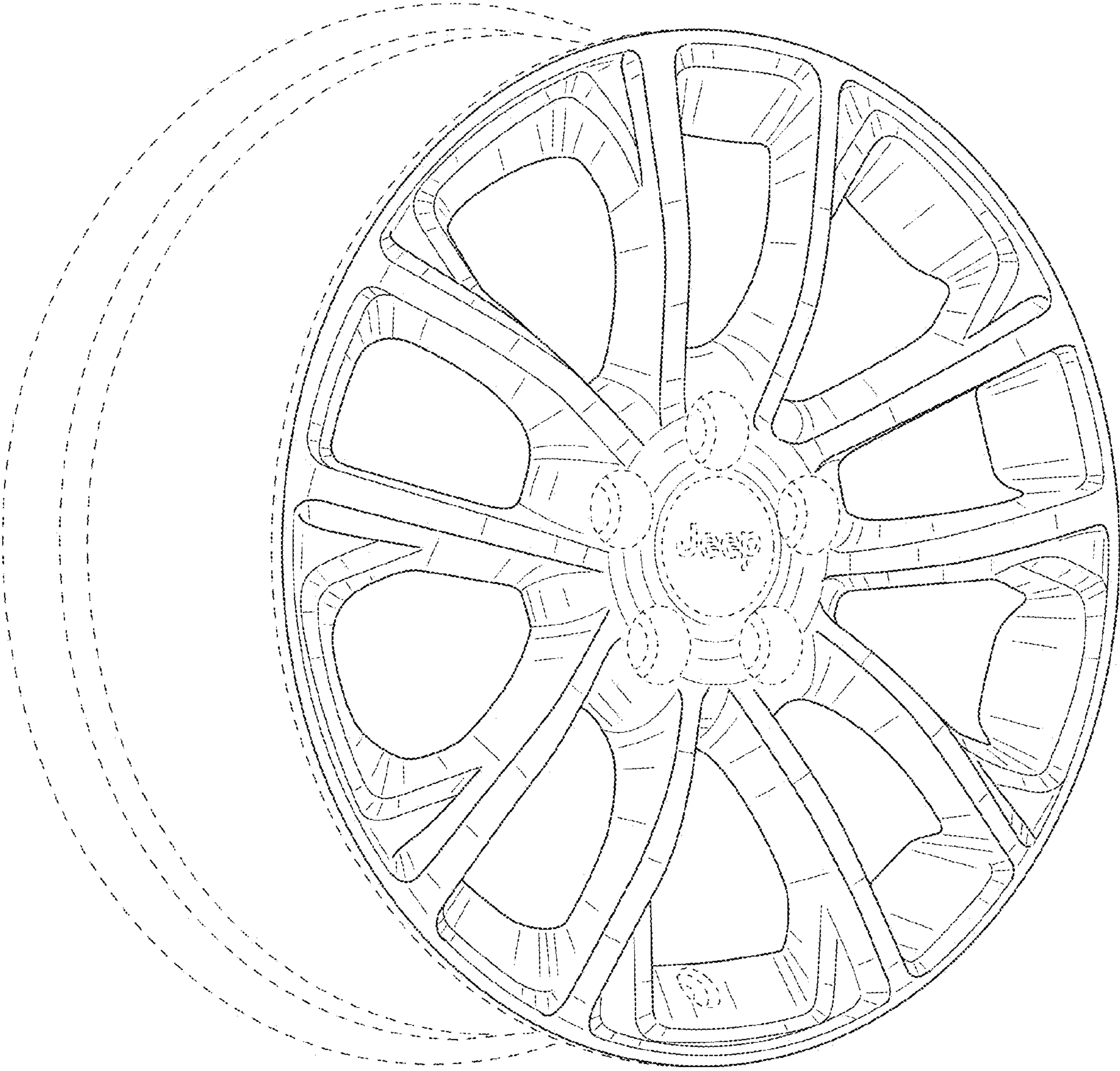


FIG. 2

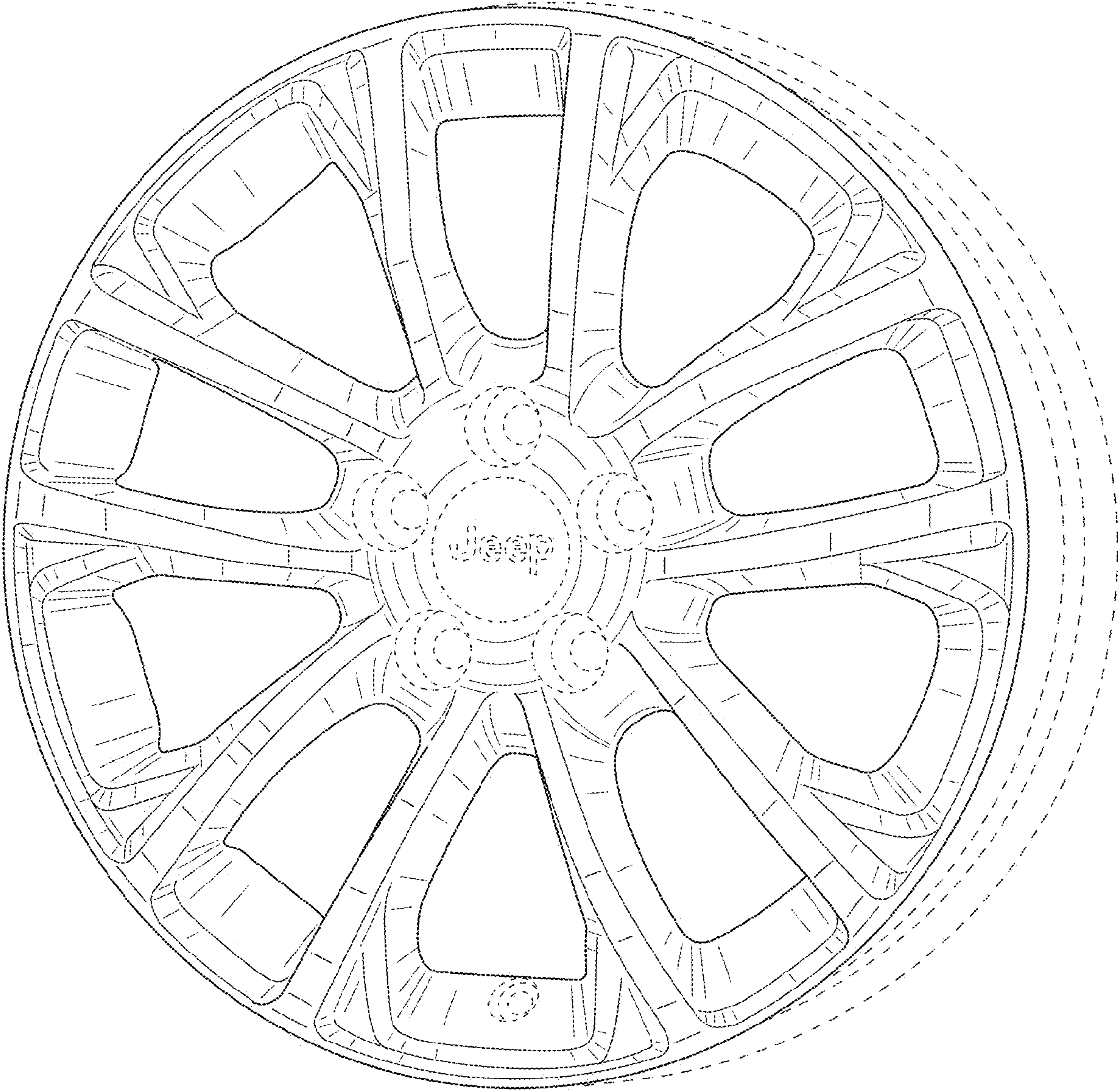


FIG. 3